

NOVUS SERIES INSTALLATION INSTRUCTIONS

WARNING!
This valve has been preset at the factory. Altering settings may result in fire hazard or bodily injury.

3. GAS PRESSURE

On both the standing pilot and the electronic ignition gas valves, the inlet pressure and a pressure tap are available on the face of the valve. Pressure taps are immediately upstream of the gas supply connection and accessible for test gauge connection. Table 2 shows optimum gas pressure information. Consult your local gas company for assistance in determining the proper orifice for you altitude or refer to ANSI Z223.1-latest edition, Appendix F.

4. FUEL

Natural or propane gas conversions necessary to meet the application need to be made by a qualified technician using Hearth & Home Technologies specified and approved parts.

In the event your appliance must be converted to use propane, you must use a CKVP Conversion Kit. To be converted to use natural gas, you must use a CKVN Conversion Kit.

GNTC50	
Inlet Gas Supply Pressure (N.G.)	4.5 (min.) - 7.0 (max.) in. w.c.
Optimal Manifold Pressure (N.G.)	3.5 in. w.c.
Inlet Gas Supply Pressure (L.P.)	11.0 (min.) - 14.0 (max.) in. w.c.
Optimum Manifold Pressure (L.P.)	10 in. w.c.
Input Rate (N.G.)	21,000/15,000
Input Rate (L.P.)	21,000/16,000
Orifice Size (N.G.)	.093
Orifice Size (L.P.)	.056

Table 2
Gas Information for Electronic and Standing Pilot Appliances

The first name in fireplaces

5. WIRING

a. Electronic Ignition

1) Appliance Requirements

This appliance requires a 110V AC supply from a wall switch to the appliance junction box for operation. A wiring diagram is shown in Figure 41.

2) Optional Accessories Requirements

Wiring for optional accessories should be done now to avoid reconstruction.

Note: This appliance must be electrically wired and grounded in accordance with local codes or, in the absence of local codes, with National Electric Code ANSI/NFPA 70-latest edition or the Canadian Electric Code CSA C22.1.

CAUTION:

Label all wires prior to disconnection when servicing controls. Wiring errors can cause improper and dangerous operation. Verify Proper operation after servicing.

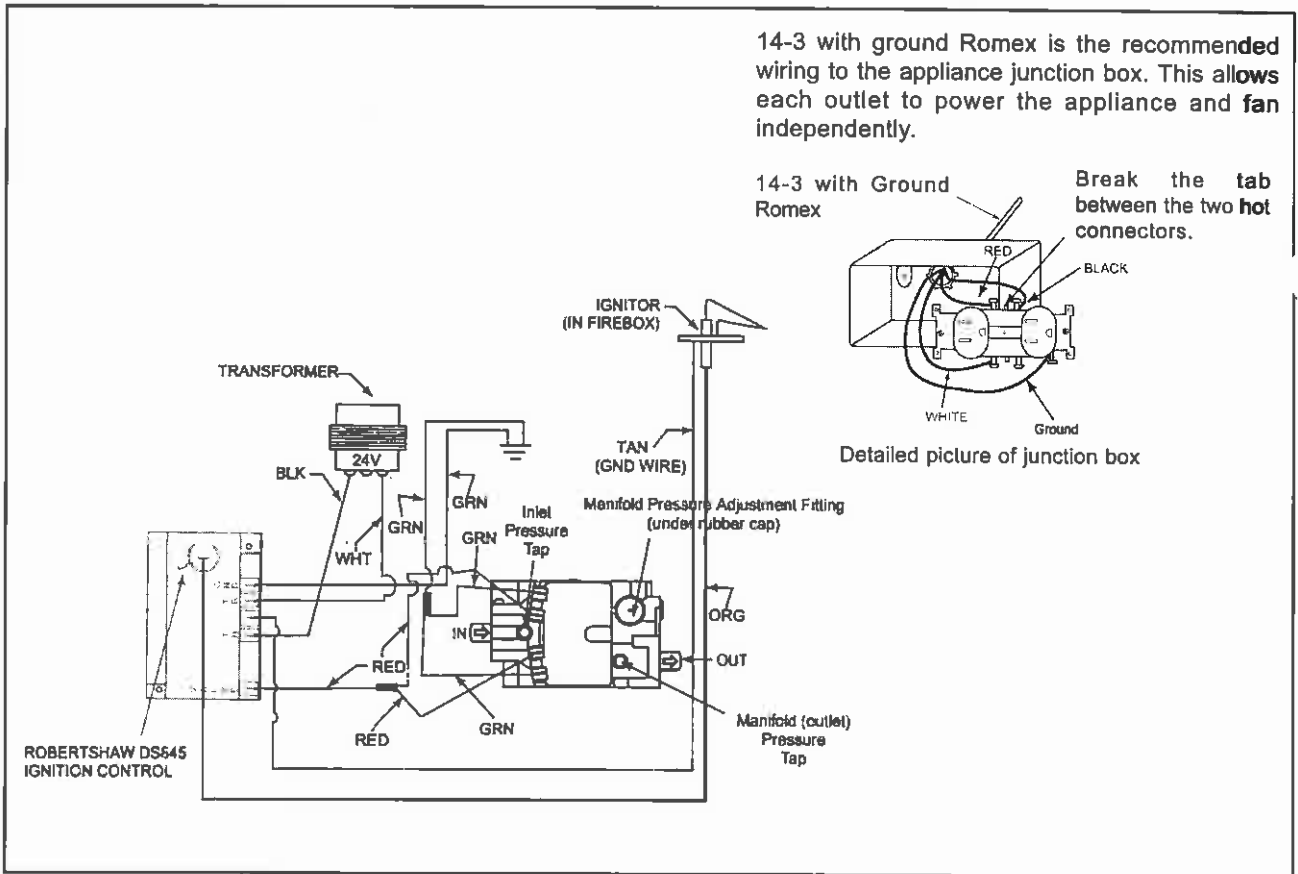


Figure 41
Electronic Ignition Wiring Diagram

b. Standing Pilot Ignition

1) Appliance Requirements

A wiring diagram is shown in Figure 42.

2) Wall Switch Wiring

The installer shall supply a UL-listed or in Canada, a CSA-listed wall switch. This appliance was tested with eighteen feet of UL listed 18 ga. Type CL2 105°C, two conductor "thermostat wire." If other wiring materials are used they shall comply with local codes. In the absence of local codes, they shall comply with the National Electrical Code ANSI/NFPA 70-latest edition or Canadian electrical code CSA C22.1

c. Optional Accessories Requirements

Wiring for optional accessories should be done now to avoid reconstruction.

WARNING!
This standing pilot appliance **DOES NOT** require a 110V AC supply for operation. Connecting the appliance/wall switch to 110V AC supply will cause the appliance to malfunction and destroy the valve and thermopile.

Note: This appliance must be electrically wired and grounded in accordance with local codes or, in the absence of local codes, with National Electric Code ANSI/NFPA 70-latest edition or the Canadian Electric Code CSA C22.1.

The first name in fireplaces

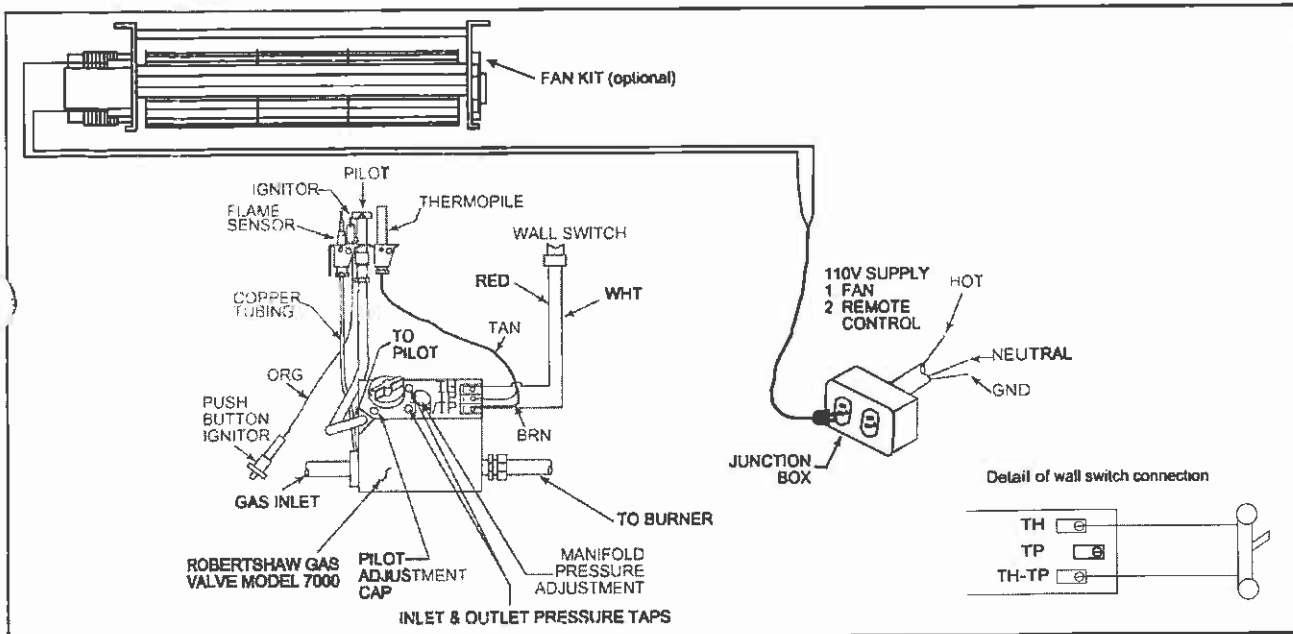


Figure 42 - Standing Pilot Ignition Wiring Diagram

6. JUNCTION BOX INSTALLATION INSTRUCTIONS

- a. Remove the junction box assembly from the valve compartment.
- b. If the box is being wired from the **OUTSIDE** of the appliance:
 - 1) Loosen two screws on the Romex connector, feed the necessary length of wire through the connector and tighten the screws.
 - 2) Make all necessary wire connections to the receptacle and assemble the receptacle and cover to the junction box.
 - 3) Attach the junction box assembly to the outside of the appliance with the two screws provided.
- c. If the box is being wired from the **INSIDE** of the appliance:
 - 1) Pull the electrical wires from outside the appliance through this opening into the valve compartment.
 - 2) Loosen the two screws on the Romex connector, feed the necessary length of wire through the connector and tighten the screws.
 - 3) Make all necessary wire connections to the receptacle and assemble the receptacle and cover to the junction box.
 - 4) Attach the junction box assembly to the inside of the appliance with the two screws provided.
- d. If the box is not to be wired at the time of appliance installation, assemble the receptacle and cover to the box and install on the inside of the appliance.

H. FINISHING

1. COMBUSTIBLE FINISHING MATERIAL

Material made of or surfaced with wood, compressed paper, plant fibers, plastics, or any material capable of igniting and burning, whether flame proofed or not, plastered or unplastered (this includes drywall).

2. NONCOMBUSTIBLE FINISHING MATERIAL

Material which will not ignite and burn. Such materials are those consisting entirely of steel, iron, brick, tile, concrete, slate, glass or plasters, or combination thereof, or have a UL Fire rating of Zero (0).

3. HIGH TEMPERATURE SEALANT MATERIAL

Sealants that will withstand high temperatures: General Electric RTV103 (Black) or equivalent; Rutland, Inc. Appliance Mortar #63 or equivalent.

A high temperature sealant, 1/8" wide minimum, must be used to close off gaps between the appliance and facing to prevent cold air leaks. See Figure 43.

4. COMBUSTIBLE MANTEL

A combustible mantel may be installed. Please refer to Figure 4, page 6.

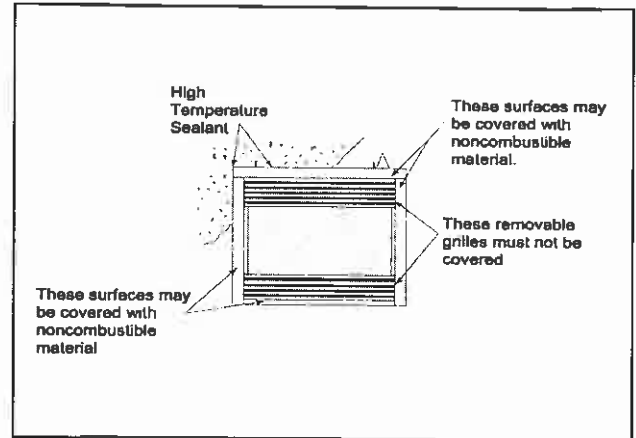


Figure 43
Finishing Materials

WARNING!

Grilles on this appliance cannot, in any way, be covered as it may create a fire hazard.

I. APPLIANCE PREPARATION

1. UPPER GRILLE PANEL REMOVAL

Lift upward on the upper grille panel and pull out.

2. ATTACHING THE HOOD

The hood must be attached or a fire hazard may result. It is to be located above the upper grille panel. Locate the four screws just inside the upper section of the appliance. Loosen these screws, position the hood and tighten the screws. See Figure 44.

3. GLASS AND SCREEN REMOVAL

See Figure 55, page 31 of this manual.



Figure 44 - Installing the Hood

WARNING! RISK OF CARBON MONOXIDE!

Do not hit or strike glass. Do not operate this appliance if the glass is broken or cracked.

NOVUS SERIES INSTALLATION INSTRUCTIONS

4. LOG SET INSPECTION

The log set is shipped in one piece and should look similar to that in Figure 45.



Figure 45 - Log Set

5. PLACING THE LAVA ROCK AND VERMICULITE

See Figures 46 and 47 for lava rock and vermiculite placement. It is not necessary to use the full bag of either item. Save the remaining for future use.



Figure 46 - Placing Lava Rock



Figure 47 - Placing the Vermiculite

6. PLACING THE ROCK WOOL AND FIRE GLOW

Place a small amount of 1/2" diameter pieces (dime-size) of rock wool on the burner pan so that the rock wool touches but does not cover the holes in the burner pan. See Figures 48 and 49. This will provide the "glowing embers" look. As with the lava rock and vermiculite, it is not necessary to use the entire bag. Save the remaining for future use.

Fire glow (Fire 98) is a flame colorant material that also adds to the realism of the gas appliance flame. After placing the rock wool in the appliance, sprinkle some of the fire glow (Fire 98) on top of the burner. As with the lava rock, vermiculite and rock wool, it is not necessary to use the entire bag. Save the remaining for future use.

7. REPLACE THE GLASS, SCREEN AND UPPER GRILLE PANEL

See step 1 of "Appliance Preparation", page 24 and Figure 55, page 31.



Figure 48 - Placing the Rock Wool

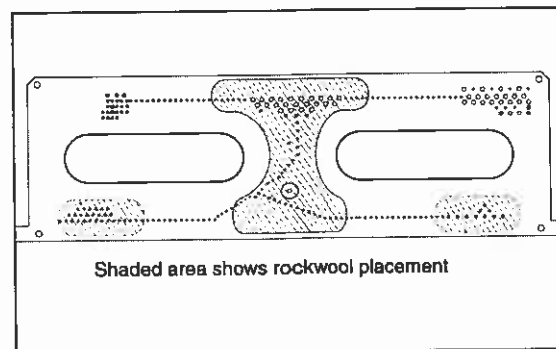


Figure 49 - Placing the Rock Wool

The first name in fireplaces

J. DETERMINING THE IGNITION TYPE

To determine whether your appliance is an electronic ignition or a standing pilot ignition, open the control access panel to examine the wiring system. If your system has a red ignitor button (as shown in Figure 50), you own a standing pilot ignition appliance. If no red ignitor button is present, you have an electronic ignition appliance.

You may also check the rating label located on the inside of the control access panel to determine ignition type.



Figure 50
Typical Standing Pilot Ignition

K. LIGHTING INSTRUCTIONS

1. ELECTRONIC IGNITION

FOR YOUR SAFETY READ BEFORE OPERATING

WARNING!

If you do not follow these instructions exactly, a fire or explosion may result causing property damage, personal injury or loss of life.

- A. This appliance does not have a pilot. It is equipped with an ignition device which automatically lights the burner. Do not try to light the burner by hand.
- B. BEFORE OPERATING smell all around the appliance area for gas. Be sure to smell next to the floor because some gas is heavier than air and will settle on the floor.
WHAT TO DO IF YOU SMELL GAS
 - Do not try to light any appliance.
 - Do not touch any electric switch; do not use any phone in your building.
 - Immediately call your gas supplier from a neighbor's phone. Follow the supplier's instructions.
 - If you cannot reach your gas supplier, call the fire department.
- C. Use only your hand to turn the manual shutoff valve. Never use tools. If the lever or knob will not move by hand, don't try to repair it - call a qualified service technician. Force or attempted repair may result in a fire or explosion.
- D. Do not use the appliance if any part has been under water. Immediately call a qualified service technician to inspect the appliance and to replace any part of the control system and any gas control which has been under water.

LIGHTING INSTRUCTIONS

1. STOP! Read the safety information above on this label.
2. Turn wall switch to the "OFF" position.
3. This appliance is equipped with an ignition device which automatically lights the burner. Do not try to light burner by hand.
4. Wait five minutes to clear out any gas. If you then smell gas, STOP! Follow "B" in the safety information above on this label. If you don't smell gas, go on to the next step.
5. To turn on burner, turn on the wall switch.
6. If the appliance will not operate, follow the instructions "TO TURN OFF GAS TO APPLIANCE" and call your service technician or gas supplier.

TO TURN OFF GAS TO APPLIANCE

1. Turn off the wall switch.
2. Turn gas line to the "OFF" position.
3. Close the control access panel.

STANDING PILOT IGNITION

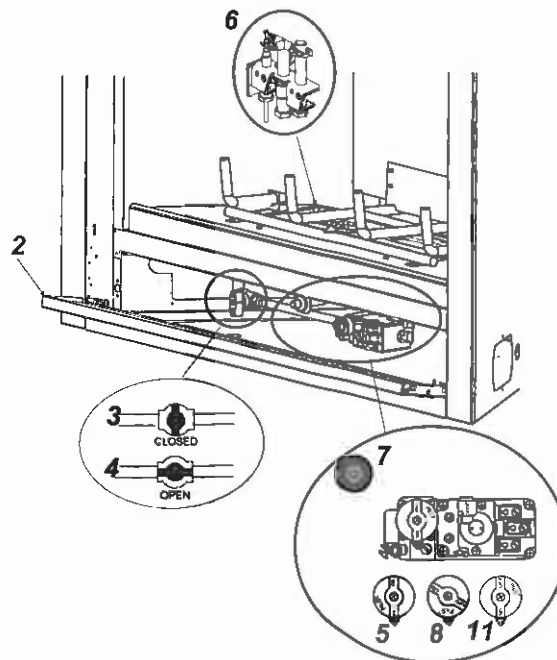
**FOR YOUR SAFETY
READ BEFORE OPERATING**

WARNING! If you do not follow these instructions exactly, a fire or explosion may result causing property damage, personal injury or loss of life.

- A. This gas appliance has a manual ignition device that lights the pilot. When lighting the pilot, follow these instructions exactly.
- B. **BEFORE LIGHTING** smell all around the appliance area for gas. Be sure to smell next to the floor because some gas is heavier than air and will settle on the floor
WHAT TO DO IF YOU SMELL GAS
 - Do not try to light any appliance.
 - Do not touch any electric switch; do not use any phone in your building.
 - Immediately call your gas supplier from a neighbor's phone. Follow the supplier's instructions.
 - If you cannot reach your gas supplier, call the fire department.
- C. Use only your hand to push in or turn the gas control knob to light the pilot. Never use tools. If the knob will not push in or turn by hand, don't try to repair it - call a qualified service technician. Force or attempted repair may result in a fire or explosion.
- D. Do not use the appliance if any part has been under water. Immediately call a qualified service technician to inspect the appliance and to replace any part of the control system and any gas control which has been under water.

**LIGHTING INSTRUCTIONS
STOP! READ THE SAFETY INFORMATION ABOVE ON THIS LABEL!**

1. Turn wall switch to the "OFF" position.
2. Open the control access panel.
3. Turn gas line to "CLOSED". Wait 5 minutes to clear out any gas. Then smell for gas, including near the floor. If you smell gas, STOP! Follow "B" in the safety information above on this label. If you don't smell gas, go to the next step.
4. Turn gas line to "OPEN".
5. Turn pilot knob clockwise to "OFF" (knob may have to be depressed to pass the "PILOT" position).
6. Locate pilot assembly inside the appliance.
7. Locate red ignitor button.
8. Turn pilot knob to "PILOT" and push in.
9. Continue to hold in pilot knob and push the red ignitor button 12-15 times until small blue pilot flame appears.
10. Continue to hold in pilot knob for approximately one minute. Pilot should remain lit. If pilot goes out, wait 5 minutes and repeat Steps 4-9.
11. Release and turn the knob counterclockwise to "ON". To light main burner, turn wall switch to "ON". Do not light by hand.
12. If the appliance will not operate, follow the instructions "To Turn Off Gas To Appliance" and call your service technician or gas supplier.



TO TURN OFF GAS TO APPLIANCE

1. Turn off the wall switch.
2. Open the control access panel.
3. Turn the gas line to the "CLOSED" position. Do not force.
4. Close the control access panel.

The first name in fireplaces

L. SEASONAL CHECK LIST

WARNING!

Children and adults should be alerted to the hazards of high surface temperatures and should stay away to avoid burns or clothing ignition. Young children should be carefully supervised when they are in the same room as the appliance.

CAUTION:

Any safety screen or guard removed for servicing this appliance must be replaced prior to operating this appliance.

Clothing or other flammable material should not be placed on or near the appliance.

Note: Installation and repair should be done by a qualified service person. The appliance should be inspected before use and at least annually by a qualified service person. More frequent cleaning may be required due to excessive lint from carpeting, bedding material, etc. It is imperative that control compartments, burners and circulating air passageways of the appliance be kept clean.

BEFORE OPERATING THIS APPLIANCE HAVE A QUALIFIED TECHNICIAN:

- A. Review proper placement of logs, rock wool, lava rock and vermiculite.
- B. Check the wiring.
- C. Check the air shutter adjustment.
- D. Ensure that there are no gas leaks.
- E. Ensure that the glass is sealed and in the proper position.
- F. Ensure that the flow of combustion and ventilation air is not obstructed.

WARNING!

Keep the area near the appliance clear and free of combustible materials, gasoline and other flammable vapors and liquids.