

The Majestic MBA-36A outside air kit can be installed to a MAJESTIC MB36, MBC36A series and CBC36A fireplaces to bring combustion air to fire chamber.

The air that is drawn into the fire chamber from outside the home or unheated area helps relieve the pressure in the home.

### CONTENTS OF THE SHIPPING CARTON

Compare contents of the shipping carton in Fig. 1 with actual parts received. If any parts are missing or damaged, contact your MAJESTIC dealer before starting installation. **NOTE:** Four (4) inch Class 1 ducting material or metal duct (not supplied) may be used with MBA-36A.

(For installation in New York State, only aluminum, non-combustible flexible or type "O" metal ducting is permissible.)

### INSTALLATION PRECAUTIONS

The duct termination should be located so it is exposed to an out-of-doors opening at least 100 square inches. If the duct termination must be located in a crawl space or basement, be sure the termination area has 100 square inches of ventilation opening to outside air.

The duct termination must be located so it does not compete for air flow with exhaust fans, gas vent hoods or other air consuming devices or appliances. It must not be obstructed by rafters, insulating materials or other obstructions. The less restrictive the air supply, the better the MBA-36A will perform.

It is a good practice to protect your hands and eyes during installation by wearing work gloves and safety glasses.

**CAUTION: DO NOT INSTALL TERMINATION INTO A GARAGE OR OTHER AREA THAT COULD CONTAIN FLAMMABLE LIQUIDS OR FUMES, OR INTO AN ATTIC SPACE.**

### INSTALLATION INSTRUCTIONS

Determine the location of the fireplace as described in the fireplace Installation Manual. Then plan the location of the duct termination and the route of the duct run between the fireplace and the duct termination. Refer to Fig. 4 for location of the MBA-36A.

Duct run must be limited to a maximum distance of 40 feet from the fireplace pipe collar to duct termination. This will provide the least restriction to air flow. No more than four 90° elbows can be used. Duct run may be horizontal, vertical, inclined or any combination of these. Vertical duct runs must be at least three (3) feet below the fireplace chimney flue exit. (See Fig. 2.) You are now ready to install the MBA-36A Outside Air Kit.

# INSTALLATION AND OPERATION INSTRUCTIONS

for the MAJESTIC®

OUTSIDE AIR KIT  
MODEL: MBA-36A

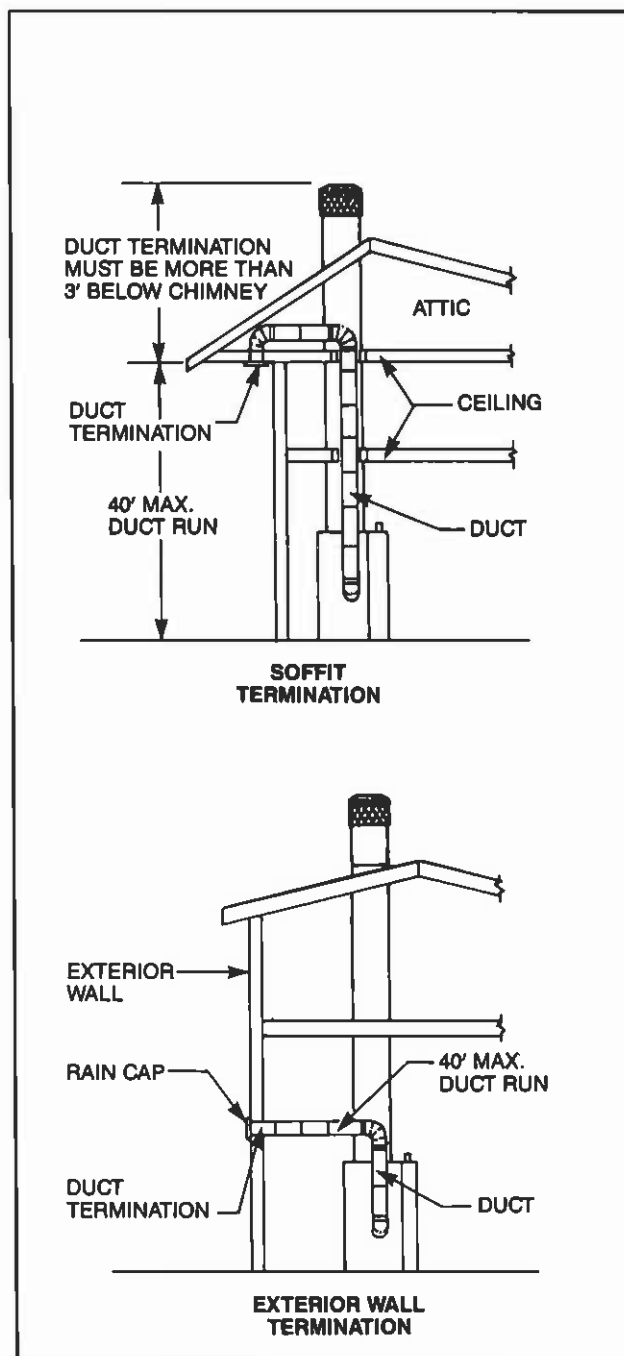


Fig. 2 Typical installations.

1. Remove and discard the outside air knockout located at the center left side of the fireplace. Use care not to rub against the sharp edges of this opening to avoid cuts.
2. You are ready to install the outside air assembly. Install fiberglass gasket to the inner face of the outer plate. Rotate the assembly to insert the damper rod through the slot on the front left side of the combustion casing. **NOTE: Damper weight will be positioned on the back side of the damper collar when assembly is installed correctly (see Fig. 4).** Push outer plate inward to compress gasket tightly against outer casing. Fasten in place with four (4) #10 screws into the prepunched holes in the outer casing.
3. Check to see if the damper operates correctly from inside the fireplace. Push and pull on the damper rod and check to see if the damper opens and closes.
4. You are now ready to install the ducting to the collar on the outside air assembly. Attach the duct to the collar using three (3) screws (screws not provided). Continue attaching the ducting together using three (3) screws at each joint until you have installed sufficient duct to arrive at your duct termination location.
5. At the termination end, you should install the duct termination. This should be installed from the outside of the home and should be covered with the rain cap. Cut a hole in the desired location approximately 4½ inches in diameter, caulk around the hole, and slide the termination through the opening from outside the home. The termination may be held in place by using four (4) screws or nails in the side flanges. Align the rain cap over the termination and secure by using four (4) #10 screws (provided). See Fig. 5.)
6. Your MBA-36A Outside Air Kit is now installed and ready for use. Pull damper rod out to close the outside air system.

### OPERATING PRECAUTIONS AND INSTRUCTIONS

When operating with glass doors, open the doors and close the MBA-36A damper so your fire will be started using room air. After the fire is well started, you may open the MBA-36A damper and close the doors to provide outside air to the fire. To open damper, push rod in; to close, pull rod out. The fireplace may be operated in any combination of outside air, doors open or doors closed.

Periodically inspect the duct termination for any blockage. Correct if necessary.

For maximum benefit and efficient usage, refer to operating instructions in Owner's Manual.

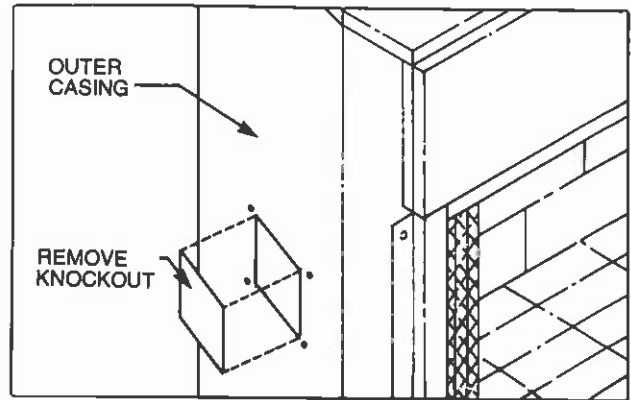


Fig. 3. Remove knockouts from the fireplace.

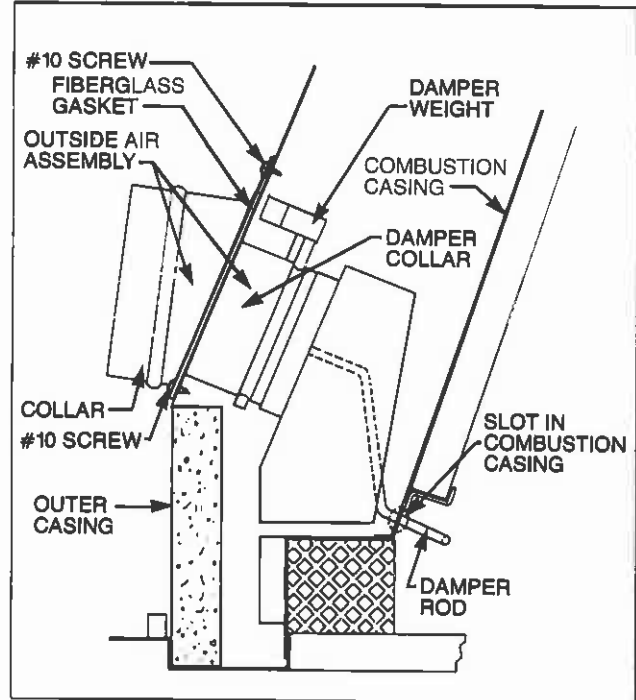


Fig. 4 Mounting damper assembly.

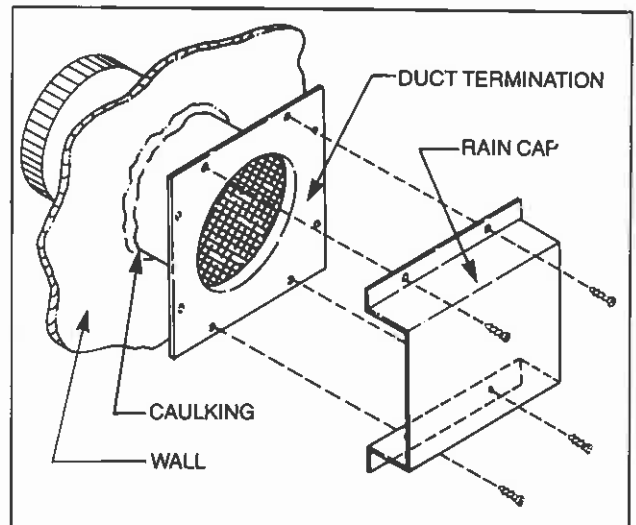
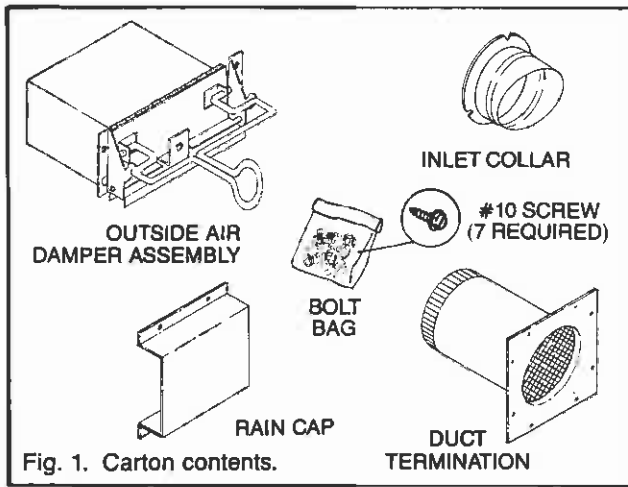


Fig. 5. Caulk and nail or screw rain cap in place.

# MAJESTIC

An Equus Building Products Company

Huntington, Indiana 46750 (219) 356-8000



# INSTALLATION AND OPERATION INSTRUCTIONS

for the MAJESTIC<sup>®</sup>

OUTSIDE AIR KIT  
MODEL: MBA-42A



The Majestic MBA-42A Outside Air Kit can be installed on a MAJESTIC MBC42 and MB42 Series fireplace, to bring combustion air to the fire chamber.

The air that is drawn into the fire chamber from outside the home or unheated area helps relieve the pressure in the home.

## CONTENTS OF THE SHIPPING CARTON

Compare contents of the shipping carton in Fig. 1 with actual parts received. If any parts are missing or damaged, contact your MAJESTIC dealer before starting installation. **NOTE:** Four (4) inch Class 1 ducting material or metal duct (not supplied) may be used. (For Installation In New York State, only aluminum, non-combustible flexible or type "O" metal ducting is permissible.)

## INSTALLATION PRECAUTIONS

The duct termination should be located so it is exposed to an out-of-doors opening at least 100 square inches. If the duct termination must be located in a crawl space or basement, be sure the termination area has 100 square inches of ventilation opening to outside air.

The duct termination must be located so it does not compete for air flow with exhaust fans, gas vent hoods or other air consuming devices or appliances. It must not be obstructed by rafters, insulating materials or other obstructions. The less restrictive the air supply, the better the MBA-42A will perform.

It is a good practice to protect your hands and eyes during installation by wearing work gloves and safety glasses.

**CAUTION: DO NOT INSTALL TERMINATION INTO A GARAGE OR OTHER AREA THAT COULD CONTAIN FLAMMABLE LIQUIDS OR FUMES, OR INTO AN ATTIC SPACE.**

## INSTALLATION INSTRUCTIONS

Determine the location of the fireplace as described in the fireplace Installation Manual. Then plan the location of the duct termination and the route of the duct run between the fireplace and the duct termination. Refer to Fig. 4 for location of the MBA-42A.

Duct run must be limited to a maximum distance of 40 feet from the fireplace pipe collar to duct termination. This will provide the least restriction to air flow. No more than four 90° elbows can be used. Duct run may be horizontal, vertical inclined or any combination of these. Vertical duct runs must be at least three (3) feet below the fireplace chimney flue exit. (See Fig. 2.) You are now ready to install the MBA-42A Outside Air Kit.

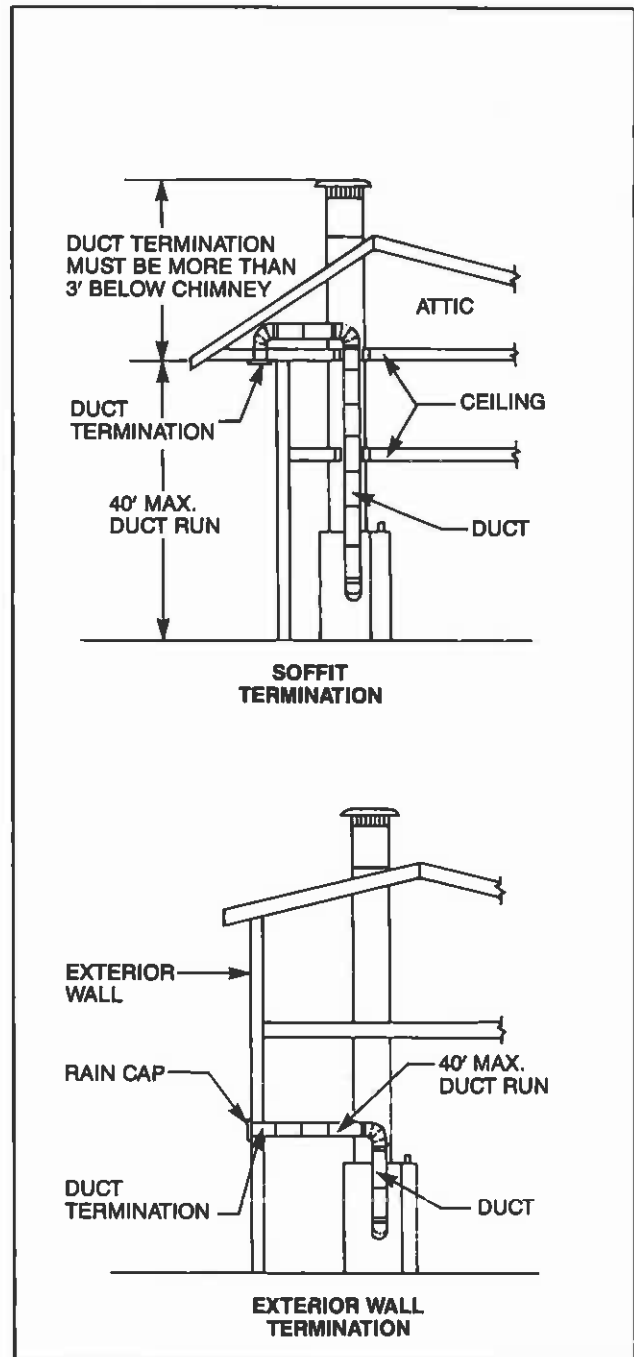


Fig. 2 Typical installations.

1. Remove and discard outside air knockout located at lower left side of outside casing (See Fig. 3).
2. Remove the inlet collar from the carton. Install inlet collar over outside air hole aligning three (3) mounting holes. Secure with three (3) #10 screws provided in bolt bag.
3. You are now ready to install the outside air damper assembly. Locate and remove the cover plate that conceals the damper assembly inlet hole. It will be found on the inside of the combustion casing immediately above the left side brick. Remove the two (2) screws that secure the cover plate and retain them for mounting the damper assembly. Position the damper assembly over the inlet hole with the damper blade pivot at the bottom and the rectangular inlet tube toward the combustion casing. Guide the rectangular inlet tube through the combustion casing over the flanges of the rectangular hole in the outside air internal duct located on the outside casing (See Fig. 4). The inlet tube will abut to a gasket, attached to the internal duct, creating a tight seal. Align the two (2) mounting holes in the assembly with those in the combustion casing. Secure with two (2) screws removed previously.
4. Check to see if the damper operates correctly from inside the fireplace. Lift up on lever and push and pull to check if damper blade freely opens and closes.
5. You are now ready to install the ducting to the collar on the outside air adapter assembly. Attach the duct to the collar assembly using three (3) screws. Continue attaching the ducting together using three (3) screws at each joint (screws not provided) until you have installed sufficient duct to arrive at your duct termination location.
6. At the termination end, you should install the duct termination. This should be installed from the outside of the home and should be covered with the rain cap. Cut a hole in the desired location approximately 4½ inches in diameter, caulk around the hole, and slide the termination through the opening from outside of the home. The termination may be held in place by using two (2) screws or nails in the side flanges. Align the rain cap over the termination and secure by using four (4) #10 screws (provided). (See Fig. 5)
7. Your MBA-42A Outside Air Kit is now installed and ready for use. Lift and push lever in and latch down to close outside air system.

## OPERATING PRECAUTIONS AND INSTRUCTIONS

Before starting each fire, inspect the MBA-42A air inlet for ash accumulation that could reduce air flow. Periodically inspect the duct termination for any blockage. Clean if necessary.

When operating with glass doors, open the doors and close the MBA-42A damper so your fire will be started using room air. After the fire is well started, you may open the MBA-42A damper and close the doors to provide outside air to the fire. To open damper, lift lever and pull outward; to close, lift lever, push in and latch down. The fireplace may be operated in any combination of outside air, doors open or doors closed.

# MAJESTIC®

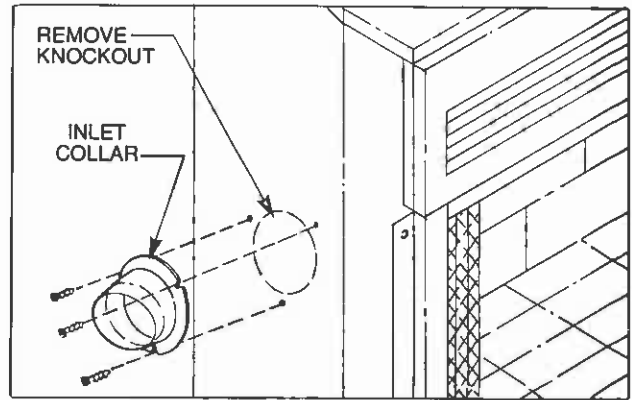


Fig. 3 Installing inlet collar.

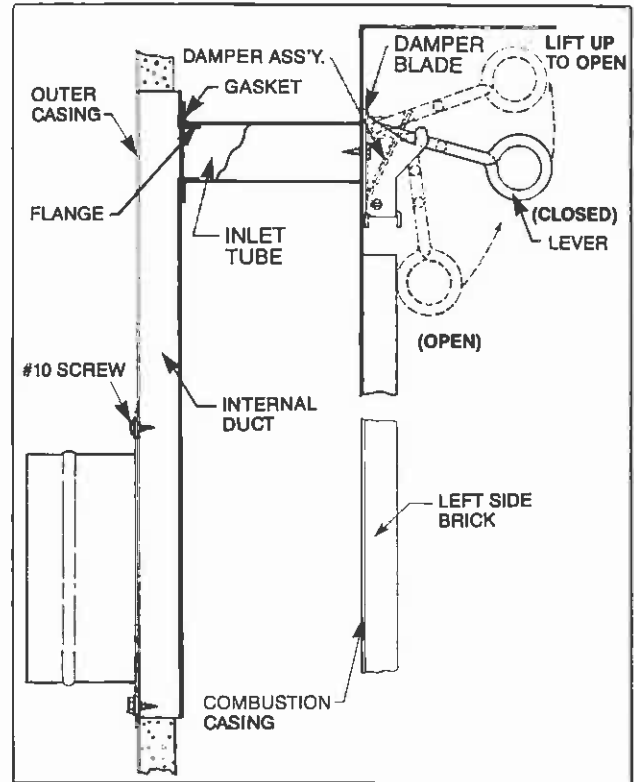


Fig. 4 Mounting damper assembly.

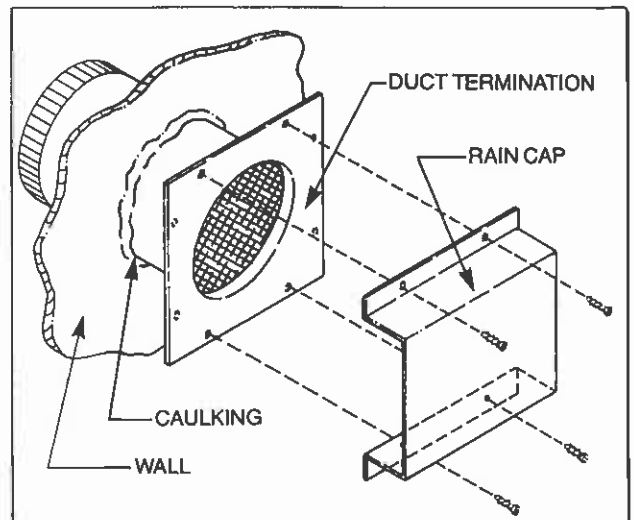


Fig. 5. Caulk and nail or screw rain cap in place.

# INSTALLATION INSTRUCTIONS

for the MAJESTIC.



## MFK FAN KIT

FOR INSTALLATION IN MBC36A, CBC36A, AND MBC42 SERIES FIREPLACES

### Tools required for assembly:

Phillips head screwdriver  
Flat blade screwdriver

## INSTALLATION PRECAUTIONS

The MAJESTIC MFK Fan Kit is tested and safe when installed in accordance with this installation manual. It is your responsibility to read all instructions before starting installation and to follow these instructions carefully during installation to assure maximum benefit from and safe operation of the fans.

This fan kit is carefully engineered and must be installed only on the specified MAJESTIC Fireplace. If you modify it or any of its components, you may possibly cause a fire hazard and will void the MAJESTIC WARRANTY. In addition, such action may void the coverage provided by the owner's house insurance.

The fan kit must be installed within the fireplace opening as detailed in this manual.

After finish work is complete, fan installation will only be possible if a DWK or SWK (MBC36A) or DWK-42 or SWK-42 (MBC42) Wiring Kit was installed at the time of original fireplace installation. The CBC36A is prewired to accept installation of fans.

## CHECK CONTENTS OF SHIPPING CARTON

Compare CONTENTS OF CARTON in Fig. 1 with actual parts received. If any parts are missing or damaged, contact your Majestic Dealer before starting installation. Do not install a damaged fan kit.

## INSTALLATION INSTRUCTIONS

1. The MBC and CBC Series fireplace is equipped with provisions to install two (2) single speed fans.

Follow instructions provided with the DWK, DWK-42, or SWK, SWK-42 Wiring Kits for electrical connection to the fireplace. One of these kits must be installed and connected to 120V electrical power in order to complete installation of the MFK Fan Kit. The CBC36A fireplace must be wired in accordance with its installation instruction.

2. Install fans before installing the MBD glass enclosure. If doors are already installed, they must be removed in order to install fans (refer to Glass Enclosure Manual for removal procedure).

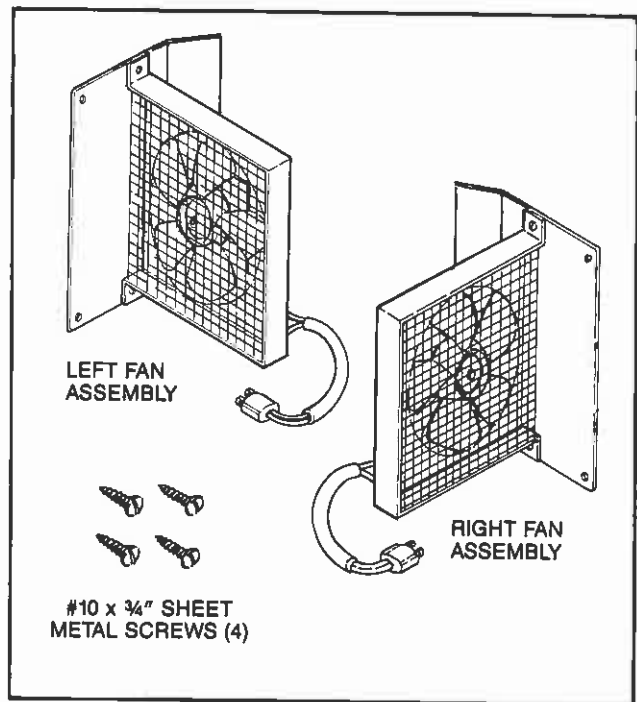


Fig. 1. Carton contents.

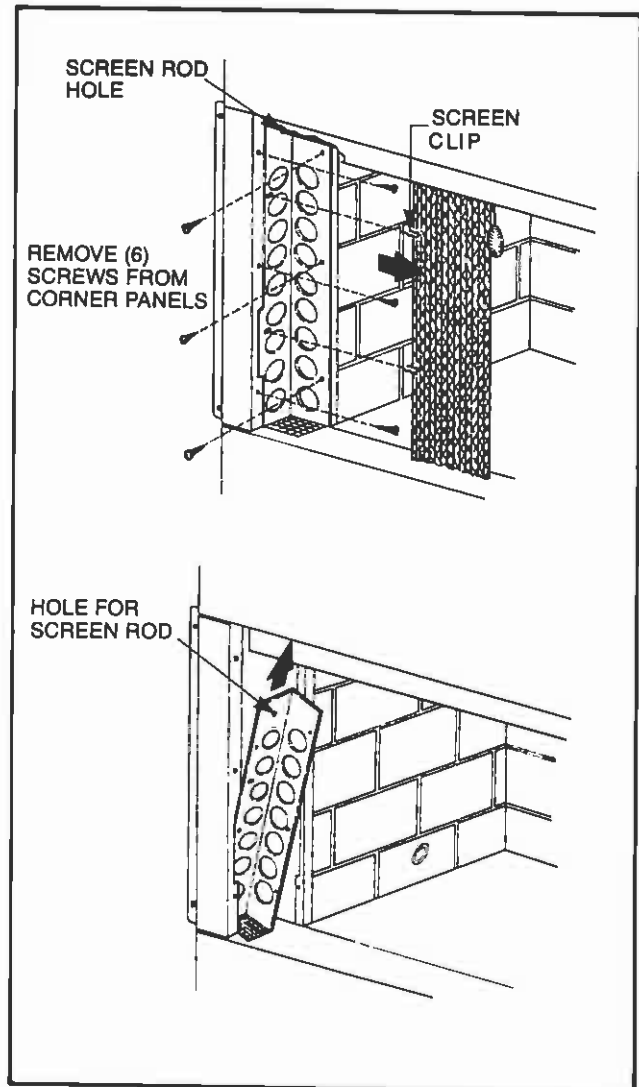


Fig. 2. Removal of corner panel.

3. To install the MFK fans, the perforated corner panels with the 1½" diameter holes must be removed. To remove these panels first remove the two (2) screen retaining clips on each side and slide screen to center of fireplace opening (not necessary if fireplace doors were just removed). Next, using the Phillips head screwdriver, remove the six (6) screws retaining each of the perforated corner panels. Grasp the corner panel through the perforated holes and set back into the wall cavity, making sure that the screen rod slips out of the small hole in the top of the panel. Then tilt top of each corner panel out through cavity opening and withdraw entirely (See Fig. 2). Save corner panels for later reinstallation.

**CAUTION: YOU WILL BE INSTALLING THE FAN THROUGH THIS OPENING. IT IS ADVISABLE THAT THE EDGES OF THE OPENING BE TAPED TO PREVENT CUTS OR SCRATCHES WHILE WORKING IN THIS AREA.**

**NOTE TO INSTALLER:**

The Majestic MBC fireplace has been designed to accept the MFK Fan Kit after the fireplace has been professionally installed only if prewiring has been completed by the builder.

Accordingly, your builder may or may not have prewired your fireplace. Check to be sure that one of the Majestic Wiring Kits has been installed.

4. The fan should now be installed through the notched out area of the wall cavity opening and attached with the two (2) #10 x ¾" hex head screws. For the CBC36A and MBC42, insulation knockout for fan must be removed prior to fan mounting. Run screws through the two (2) holes in the fan mounting plate into the holes provided on the fireplace outer casing (See Figs. 3 and 4). The fans will mount with the screen facing the front of the fireplace.

5. At this time, the fan plug should be inserted into the receptacle of the CBC36A, SWK or DWK (SWK-42 or DWK-42 for MBC42). Fig. 4 shows the receptacle locations.

6. Repeat Steps 4 and 5 for installation of both fan assemblies. Check operation of fans.

7. This completes the fan installation. Corner panels should now be reinstalled and screens reattached in reverse order of removal in Step 3.

8. If a glass enclosure was removed, it may be reinstalled at this time. You now have completed installation of the fans, and they are ready for use.

**REPLACEMENT PARTS AND CUSTOMER SERVICE**

Replacement and service parts may be obtained through your Majestic distributor. If you need additional information, contact:

The Majestic Company  
 Huntington, Indiana 46750  
 ATTN: Director of Customer Service

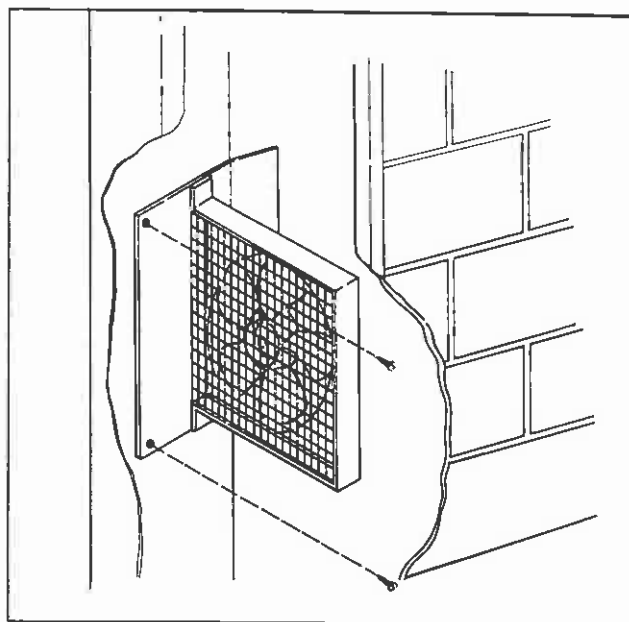


Fig. 3. Installation of fan.

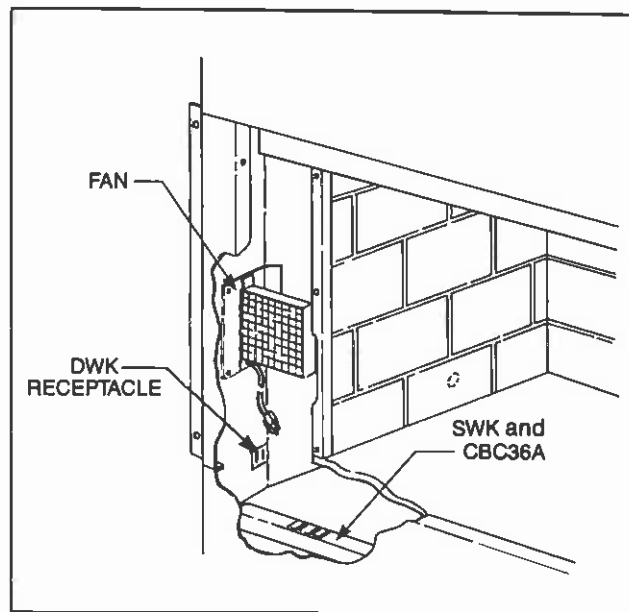


Fig. 4. View, looking into access opening.



An Equus Building Products Company  
 Huntington, Indiana 46750 (219) 356-8000

# INSTALLATION INSTRUCTIONS



for the **MAJESTIC**.

**SWK WIRING KIT** (MBC36A Fireplaces)  
**SWK-42 WIRING KIT** (MBC42 Fireplaces)

## CAUTION:

**ALL WIRING SHOULD BE DONE BY A QUALIFIED ELECTRICIAN AND SHALL BE IN COMPLIANCE WITH ALL LOCAL, CITY AND STATE BUILDING CODES.**

### Tools required for assembly:

Flat blade screwdriver  
1 $\frac{1}{32}$ " long socket or nutdriver

## INSTALLATION PRECAUTIONS

The MAJESTIC SWK and SWK-42 Wiring Kits are tested and safe when installed in accordance with this installation manual. It is your responsibility to read all instructions before starting installation and to follow these instructions carefully during installation to assure maximum benefit from and safe operation of the wiring kit.

The wiring kit must be installed at the time of original installation. With this kit, the MAJESTIC MFK Fan Kit may be installed at a later date.

It should be noted that the crossover tube must be installed before framing is installed around the fireplace. If frame has been installed, electrical connection can be made using a Majestic DWK or DWK-42 Wiring Kit.

## CHECK CONTENTS OF SHIPPING CARTON

Compare contents of carton in Fig. 1 with actual parts received. If any parts are missing or damaged, contact your Majestic dealer before starting installation. Do not install a damaged wiring kit.

## INSTALLATION INSTRUCTIONS

1. The MBC Series fireplaces are equipped with provisions to install two (2) single speed fans. The SWK and SWK-42 allow wiring to one side of the fireplace. Installation may be made to either side of the fireplace.

**CAUTION: THE FANS REQUIRE 120 VAC, 60 HZ POWER. KNOCKOUTS ARE PROVIDED IN THE OUTER CASING OF THE FIREPLACE. THIS POWER MUST BE PROVIDED DURING THE INITIAL INSTALLATION OF THE FIREPLACE. THE POWER SHOULD BE AVAILABLE TO THE FIREPLACE THROUGH A SINGLE LISTED 15 AMP, 125V WALL SWITCH (SWITCH NOT PROVIDED).**

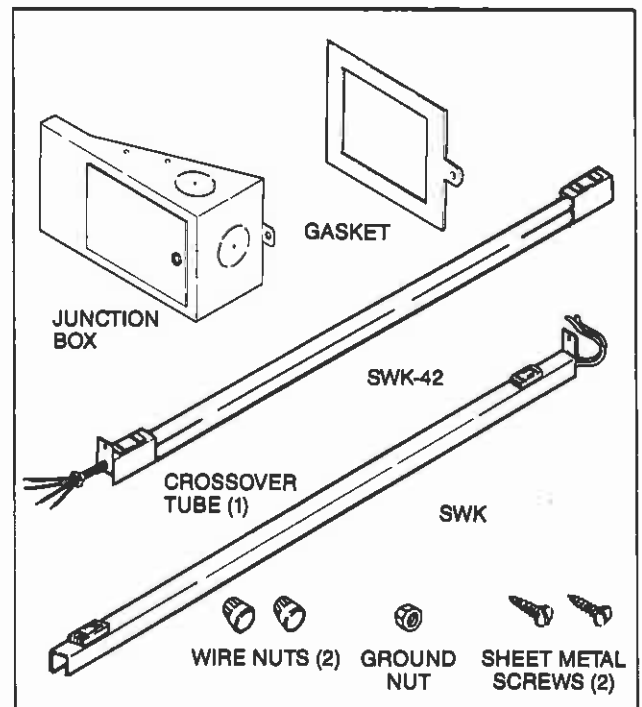


Fig. 1. Carton contents.

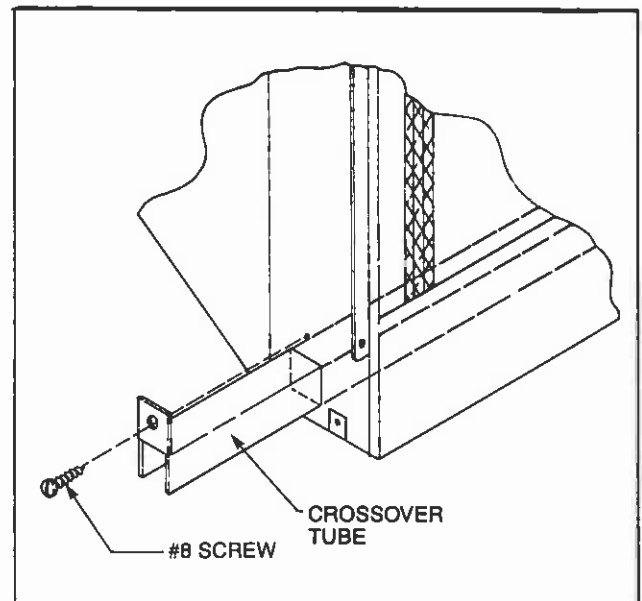


Fig. 2A. Installation of crossover tube (SWK).

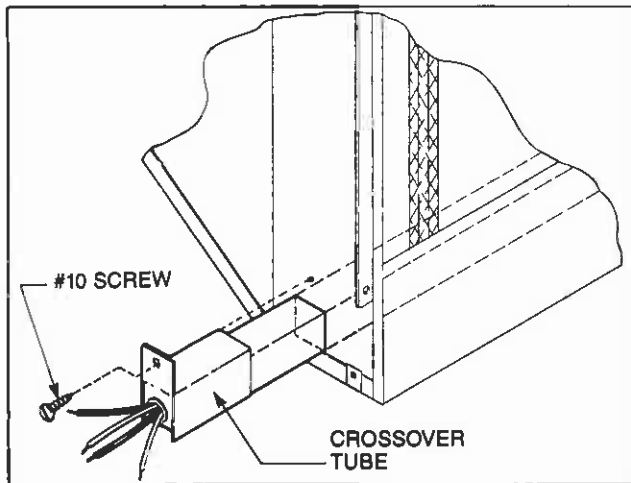


Fig. 2B. Installation of crossover tube (SWK-42).

2. Before installing the junction box to the fireplace, select the side to be wired and remove the electrical box knockout and the crossover tube knockout. For MBC42, insulation knockouts will also have to be removed. Next, slide the crossover tube into place and secure with a #10 screw provided (See Fig. 2A and 2B). The tube will have to be inserted parallel to the face of the fireplace for it to align properly when installed.

3. Next, install the gasket to the mating face of the junction box. Remove the paper from the adhesive surface of the gasket and mount the gasket to the junction box, as shown in Fig. 3.

4. Then slide the J box into place and secure with a #10 screw provided (See Fig. 4). Remove the outer cover plate from the box.

5. Next, route the field supplied wiring from the switch box to the junction box in accordance with local electrical codes. Be sure wiring does not contact outer fireplace surfaces and support wiring in a manner that will assure clearance from the fireplace components.

Insert 120V, 60 Hz power lines through either knockout in the back or side of the junction box. The ground wire from the power should be attached to the ground stud in the top of the junction box with one of the supplied retaining nuts.

Using the supplied wire nuts, connect the ends of the white and black power leads to the fireplace leads (See Wiring Diagram, Fig. 5), making sure the wire nuts are tight to the leads. All black leads should be connected together and all white leads should be connected together.

Reinstall the wiring box cover.

## REPLACEMENT PARTS AND CUSTOMER SERVICE

Replacement and service parts may be obtained through your Majestic distributor. If you need additional information contact:

The Majestic Company  
 Huntington, Indiana 46750  
 ATTN: Director of Customer Service

**MAJESTIC**  
 An Equus Building Products Company  
 Huntington, Indiana 46750 (219) 356-8000

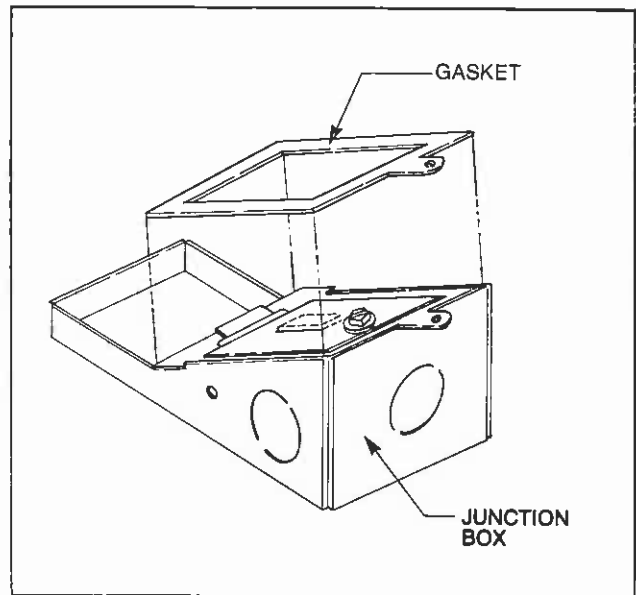


Fig. 3. Mount gasket to junction box.

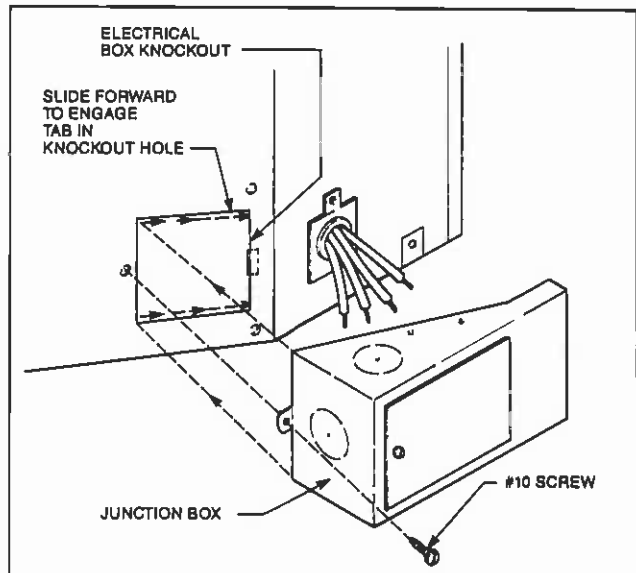


Fig. 4. Installation of junction box.

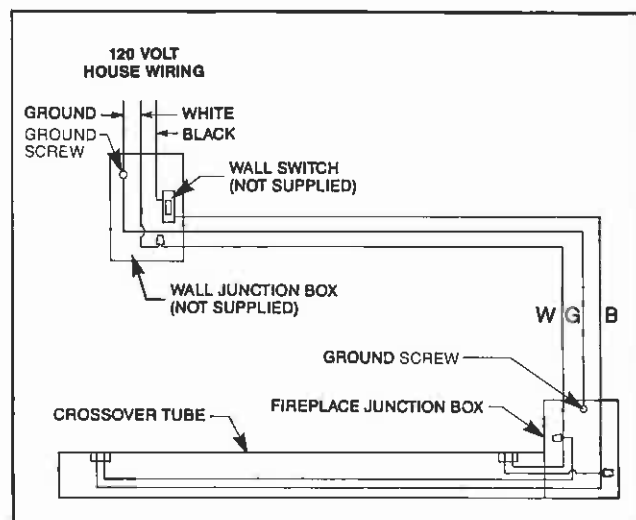


Fig. 5. Wiring diagram.





# INSTALLATION INSTRUCTIONS

## for the MAJESTIC.

### DWK WIRING KIT (MBC36A Fireplaces) DWK-42 WIRING KIT (MBC42 Fireplaces)

#### CAUTION:

ALL WIRING SHOULD BE DONE BY A QUALIFIED ELECTRICIAN AND SHALL BE IN COMPLIANCE WITH ALL LOCAL, CITY AND STATE BUILDING CODES.

#### Tools required for assembly:

- Phillips head screwdriver
- Flat blade screwdriver
- 1 $\frac{1}{32}$ " long socket or nutdriver

#### INSTALLATION PRECAUTIONS

The MAJESTIC DWK and DWK-42 Wiring Kits are tested and safe when installed in accordance with this installation manual. It is your responsibility to read all instructions before starting installation and to follow these instructions carefully during installation to assure maximum benefit from and safe operation of the wiring kit.

The junction box kit must be installed at the time of original fireplace installation. With this kit, the MAJESTIC MFK Fan Kit may be installed at a later date.

#### CHECK CONTENTS OF SHIPPING CARTON

Compare contents of carton in Fig. 1 with actual parts received. If any parts are missing or damaged, contact your Majestic dealer before starting installation. Do not install a damaged wiring kit.

#### INSTALLATION INSTRUCTIONS

1. The MBC36A and MBC42 Series fireplaces are equipped with provision to install two (2) single speed fans.

**CAUTION: THE FANS REQUIRE 120 VAC, 60 HZ POWER AVAILABLE AT EACH SIDE OF THE FIREPLACE. KNOCKOUTS ARE PROVIDED IN THE OUTER CASING OF THE FIREPLACE. THIS POWER MUST BE PROVIDED DURING THE INITIAL INSTALLATION OF THE FIREPLACE. THE POWER SHOULD BE AVAILABLE TO THE FIREPLACE THROUGH A SINGLE LISTED 15 AMP, 125V WALL SWITCH (SWITCH NOT PROVIDED).**

2. Install the gasket to the mating face of the junction box. Remove the paper from the adhesive surface of the gasket and mount the gasket to the junction box, as shown in Fig. 2.

3. Before installing the junction box to the fireplace, remove the electrical box knockout on one side of the fireplace. Next, slide the J box into place and secure with a #8 screw provided (See Fig. 3). Remove the outer cover plate from the box.

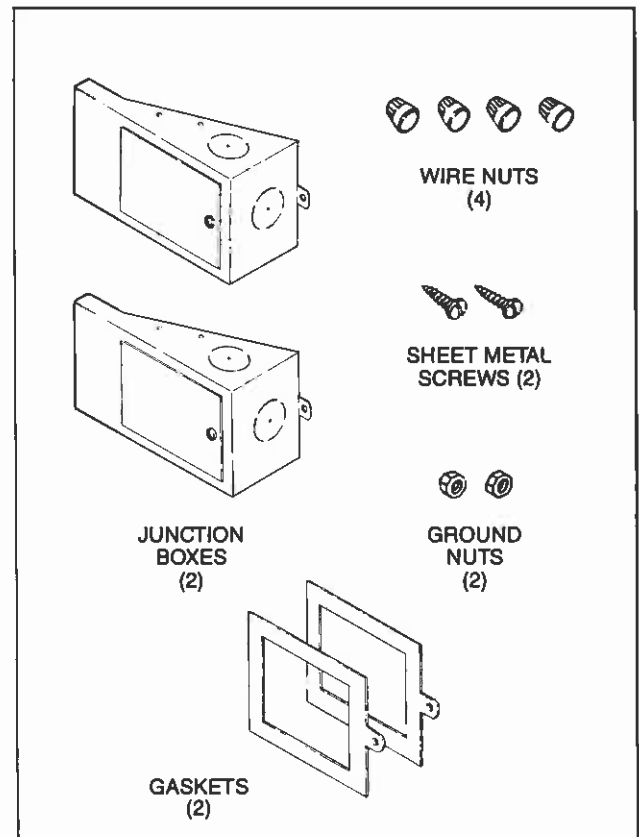


Fig. 1. Carton contents.

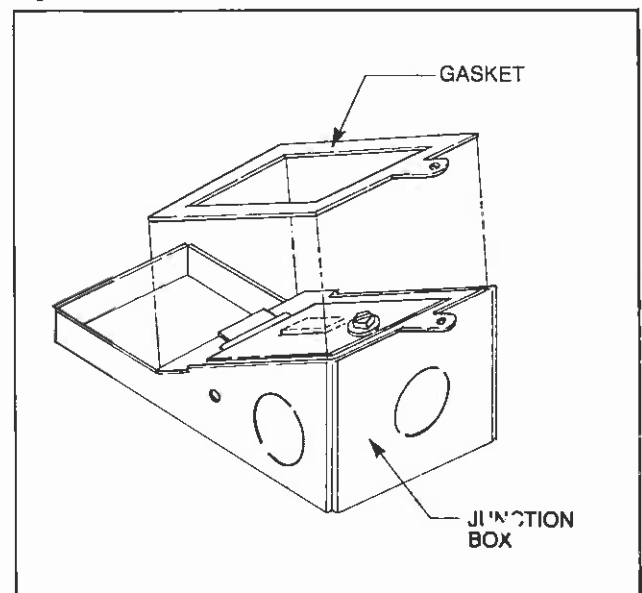


Fig. 2. Mount gasket to junction box.

4. Next, route the field supplied wiring from the switch box to the junction box in accordance with local electrical codes. Be sure wiring does not contact outer fireplace surfaces and support wiring in a manner that will assure clearance from the fireplace components.

Insert 120V, 60 Hz power lines through either knockout in the back or side of the junction box. The ground wire from the power should be attached to the ground stud in the junction box with one of the supplied retaining nuts.

Using the supplied wire nuts, connect the ends of the white and black power leads to the receptacle leads (See Wiring Diagram, Fig. 4), making sure the wire nuts are tight to the leads. Reinstall the wiring box cover.

5. Repeat steps 2 through 4 for remaining junction box. Note that it is best to run a separate wire from the switch box as shown in Fig. 4 to avoid overcrowding of the DWK junction boxes.

### REPLACEMENT PARTS AND CUSTOMER SERVICE

Replacement and service parts may be obtained through your Majestic distributor. If you need additional information contact:

The Majestic Company  
 Huntington, Indiana 46750  
 ATTN: Director of Customer Service

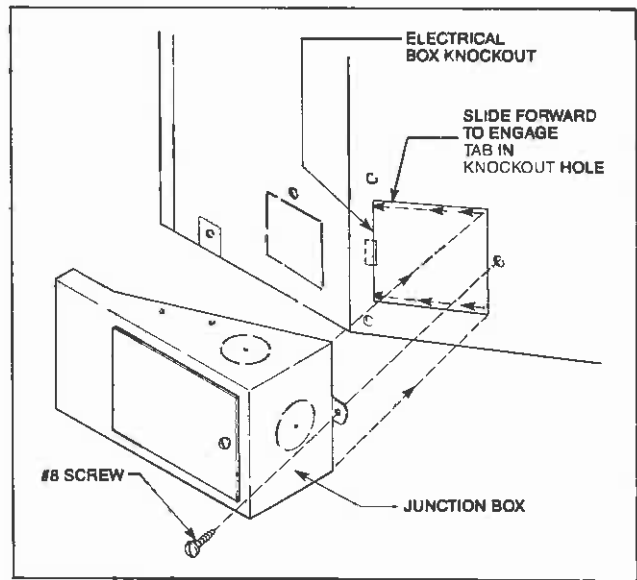


Fig. 3. Installation of junction box.

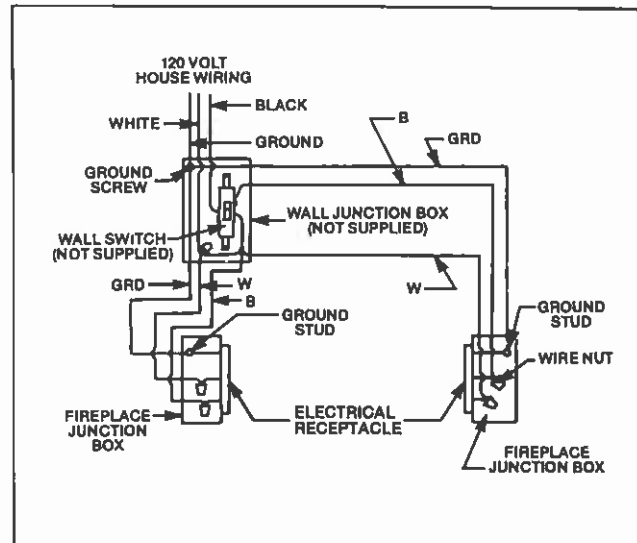


Fig. 4. Wiring diagram.



# INSTALLATION INSTRUCTIONS



## for the MAJESTIC<sup>®</sup>

### • MBSTK36 surround trim kit

The MBSTK36 Surround Trim Kit has been designed to simplify finishing of the following Majestic built-in fireplaces:

- MB36
- MBC36A
- MBC36AF
- MBC36AM
- MBC36A-MH
- MBC36AF-MH

### Installation Precautions

Install fireplace per its accompanying instructions including framing and wall covering material. Wall covering may touch sides of fireplace spacers but must not extend below top of V-spacer on front ledge of fireplace (Fig. 2).

### Installation Instructions

#### Step 1.

Attach top trim piece by first placing the alignment angle on the top edge of the fireplace surround. Center the trim on the fireplace and install three (3) #8 oval head wood screws provided with the kit. If the screw is difficult to install, predrill a 1/8 inch diameter pilot hole in the wall finishing material and header. See Figs. 1 and 2 for additional installation details.

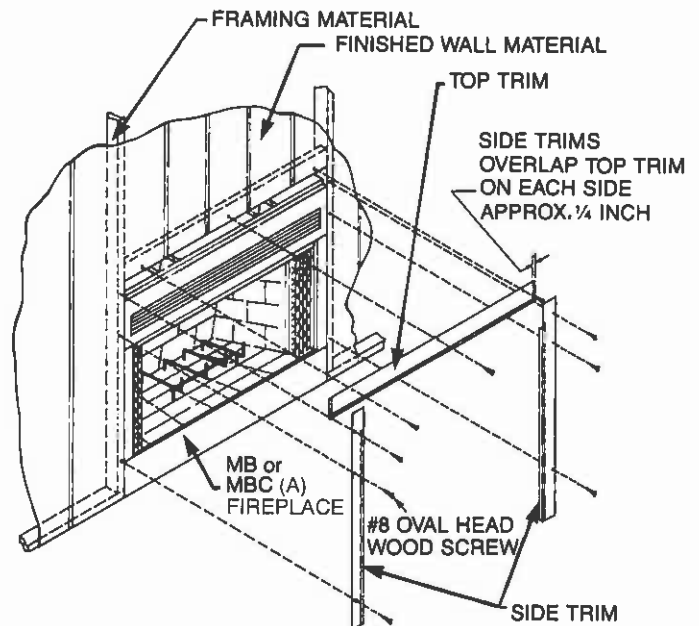


Fig. 1. Typical installation of trim kit.

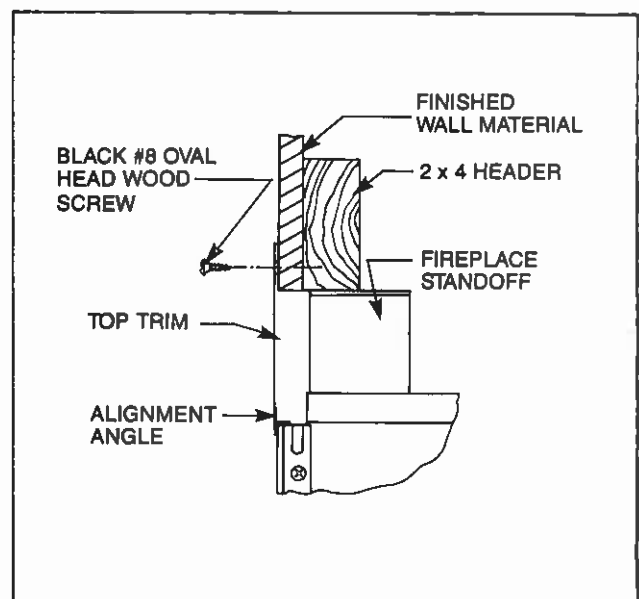


Fig. 2. Attach top trim.

## Step 2.

The side trim is installed in a similar manner to the top trim. The side trim top notch should be fitted over the ends of the top trim. Side trim is intended to overlap the fireplace surround by approximately  $\frac{1}{4}$  inch. Install the top screw first and then use a ruler to be sure the trim is parallel to the fireplace side. Install the other two (2) screws. When installing the second side trim, be sure it overlaps the fireplace by the same amount as the first side trim. See Figs. 1 and 2 to clarify installation details.

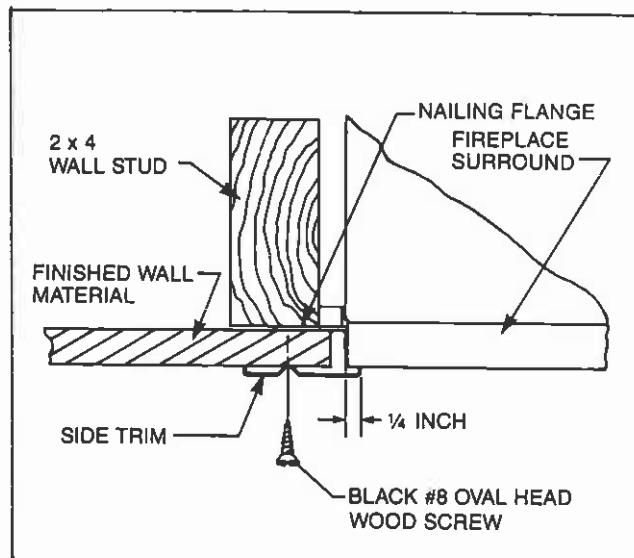


Fig. 3. Attach side trim.