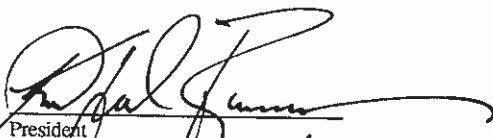



Introduction


We welcome you as a new owner of an Avanti pellet heater. In purchasing an Avanti you have joined the growing ranks of concerned individuals whose selection of an energy system reflects both a concern for the environment and aesthetics. The Avanti is one of the finest home heaters the world over. This manual will explain the installation, operation, and maintenance of this pellet-burning heater. Please familiarize yourself with the Owner's Manual before operating your heater and save the manual for future reference. Included are helpful hints and suggestions which will make the installation and operation of your new heater an easier and more enjoyable experience. We offer our continual support and guidance to help you achieve the maximum benefit and enjoyment from your heater.

Many years of warmth,


President


Plant Manager

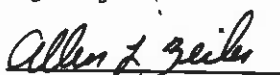

Technical Director

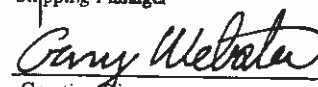

Engineering

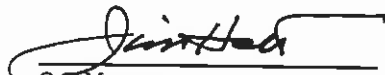

Shipping Manager


Controller



Production Manager

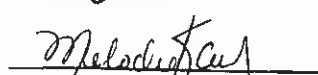

Foreman


Creative Director

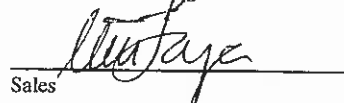

Q.C. Manager


Customer Service Mgr.


Sales Manager


Sales Manager


Sales Manager


Sales


Sales


Customer Service

Important Information

No other Avanti PS heater has the same serial number as yours. On the Avanti PS the serial number is on the hopper lid.

This serial number will be needed in case you require service of any type.

Model: _____

Serial Number: _____

Purchase Date: _____

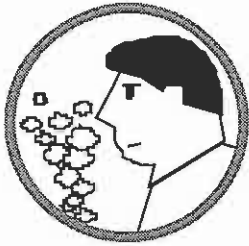
Purchased From: _____

Mail your Warranty Card Today, and Save Your Bill of Sale.

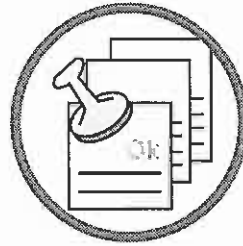
To receive full warranty coverage, you will need to show evidence of the date you purchased your heater. Do not mail your Bill of Sale to us.

We suggest that you attach your Bill of Sale to this page so that you will have all the information you need in one place should the need for service or information occur.

Safety Precautions



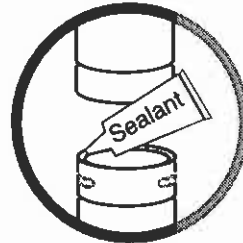
- Do not operate the heater if you smell smoke coming from the heater. Turn the POWER switch to "OFF", monitor your heater, and call your dealer.



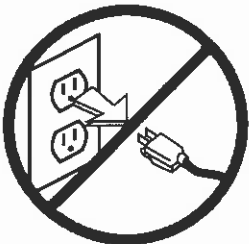
- Contact your local building officials to obtain a permit and information on any installation restrictions or inspection requirements in your area. Notify your insurance company of this heater as well.



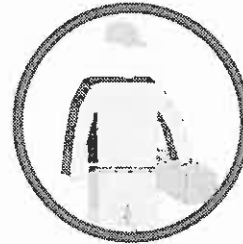
- Never use gasoline, gasoline-type lantern fuel, kerosene, charcoal lighter fluid, or similar liquids to start or 'freshen up' a fire in this heater. Keep all such liquids well away from the heater while it is in use.



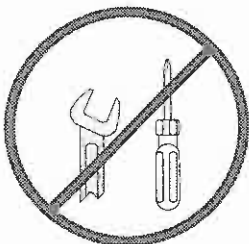
- The exhaust system **must** be completely airtight and properly installed. The pellet vent joints must be sealed with RTV 500° F. (260° C.) silicone sealant.



- Do not unplug the heater if you suspect a malfunction. Turn the MODE SWITCH to "OFF" and periodically inspect the heater.



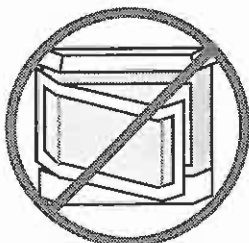
- This unit must be properly installed to prevent the possibility of a house fire. The instructions must be strictly adhered to. Do not use makeshift methods or compromise in the installation.



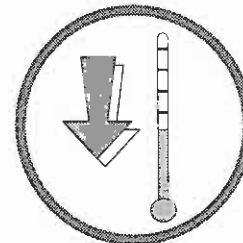
- Never try to repair or replace any part of the heater unless instructions are given in this manual. All other work should be done by a trained technician.



- Your heater requires periodic maintenance and cleaning (see "Maintaining Your Heater"). Failure to maintain your heater may lead to smoke spillage in your home.



- The viewing door and ashpan must be closed and latched during operation.



- Allow the heater to cool before carrying out any maintenance or cleaning. Ashes must be disposed in a metal container with a tight lid and placed on a non-combustible surface well away from the home or structure.

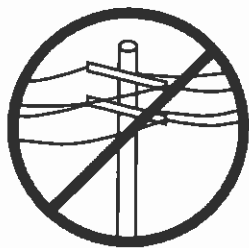


- Do not operate the heater if the flame becomes dark & sooty of if the firepot overfills with pellets. Turn the MODE SWITCH to "OFF" and periodically inspect the heater (see "Running Your Heater").

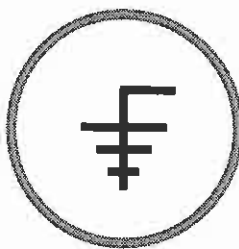


- This heater is designed and approved for pelletized wood fuel only. Any other type of fuel burned in this heater will void the warranty and safety listing.

Safety Precautions



- The heater will not operate during a power outage. If a power outage does occur, check the heater for smoke spillage and open a window if any smoke spills into the room.



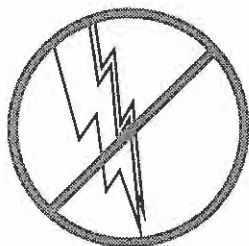
- This heater must be connected to a standard 115 V., 60 Hz grounded electrical outlet. Do not use an adapter plug or sever the grounding plug. Do not route the electrical cord underneath, in front of, or over the heater.



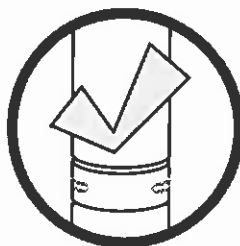
- Keep foreign objects out of the hopper.



- When installed in a mobile home, the heater must be bolted to the floor, have outside air, and **NOT BE INSTALLED IN THE BEDROOM** (Per H.U.D. requirements). Check with local building officials.



- Disconnect the power cord before performing any maintenance.



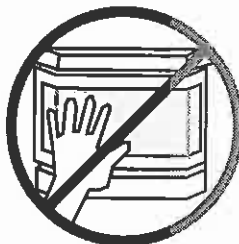
- The exhaust system should be checked twice a year minimum for any build-up of soot or creosote.

NOTE:

Turning the Mode Switch to "OFF" does not disconnect all power to the heater.



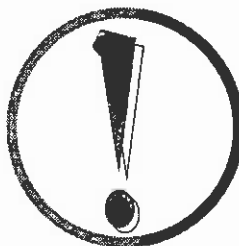
- Do not throw this manual away. This manual has important operating and maintenance instructions that you will need at a later time. Always follow the instructions in this manual.



- Do not touch the hot surfaces of the heater. Educate all children of the danger of a high-temperature heater. Young children should be supervised when they are in the same room as the heater.



- Do not place clothing or other flammable items on or near the heater. Because this heater can be controlled by a thermostat there is a possibility of the heater turning on and igniting any items placed on or near it.



- Travis Industries, Inc. grants no warranty, implied or stated, for the installation or maintenance of your heater, and assumes no responsibility of any consequential damage(s).

Introduction

Introduction.....	1
Important Information.....	1

Safety Precautions

Safety Precautions.....	2
-------------------------	---

Specifications

Heating Specifications.....	5
Dimensions.....	5
Electrical Specifications.....	5
Fuel.....	5
EPA Compliance.....	5

Installation

Before you Begin.....	6
Installation Options.....	6
Planning the Installation.....	6
Stove Placement.....	6
Floor Protection Requirements.....	6
Clearances - Straight Installation.....	7
Clearances - Corner Installation.....	7
Venting the Pellet Stove.....	8
Maximum Venting Distance.....	8
Pellet Vent Type.....	9
Installing the Pellet Vent.....	9
Pellet Vent Termination.....	9
Mobile Home Requirements.....	10
Outside Air.....	10
Alcove Installation Requirements.....	11
Setting the Restrictor.....	11
When to Adjust the Restrictor.....	11
How to Adjust the Restrictor.....	11
Installation Example: Direct "Through the Wall".....	12
Installation Example: Interior Vertical.....	13
Installation Example: Type A Chimney Retrofit.....	14
Installation Example: Hearth Fireplace.....	15

Operation

Safety Notice.....	16
Location of Controls.....	16
Starting the Heater for the First Time.....	16
Curing the Paint.....	16
Priming the Auger.....	16
Loading Pellets.....	17
The Two Modes of Operation.....	17
Manual Mode.....	18
Auto Mode.....	19
Adjusting the Fan Speed.....	20
Start-Up Sequence.....	20
"AUGER ON" Light.....	20
"FAULT" Light.....	21
Power Outages.....	21

Maintenance

Daily Maintenance (whenever using the stove).....	22
Inspect the Burn.....	22
Make Sure Pellets are not Piling Up.....	22
Check Firepot for Clinkers.....	23
Cleaning the Firepot.....	23
Bi-Weekly Maintenance (or every 10 bags pellets).....	24
Clean the Heat Exchange Tubes.....	24
Vacuum Hopper.....	24
Clean the Gold Door.....	24
Opening the Door.....	25
Sweep Ash Into Ashpan.....	26
Check Ashpan, Dispose if Necessary.....	27
Clean the Glass.....	27
Yearly Maintenance (or every two tons).....	28
Clean the Exhaust Duct.....	28
Clean the Exhaust Blower.....	29
Clean the Vent.....	29
Check for Air Leaks - Door, Glass and Ashpan.....	30

Normal Operating Sounds

Normal Operating Sounds.....	31
------------------------------	----

Safety Label

Safety Label.....	32
-------------------	----

Warranty

Warranty.....	33
---------------	----

Optional Equipment

Thermostat.....	34
-----------------	----

Index

Index.....	36
------------	----

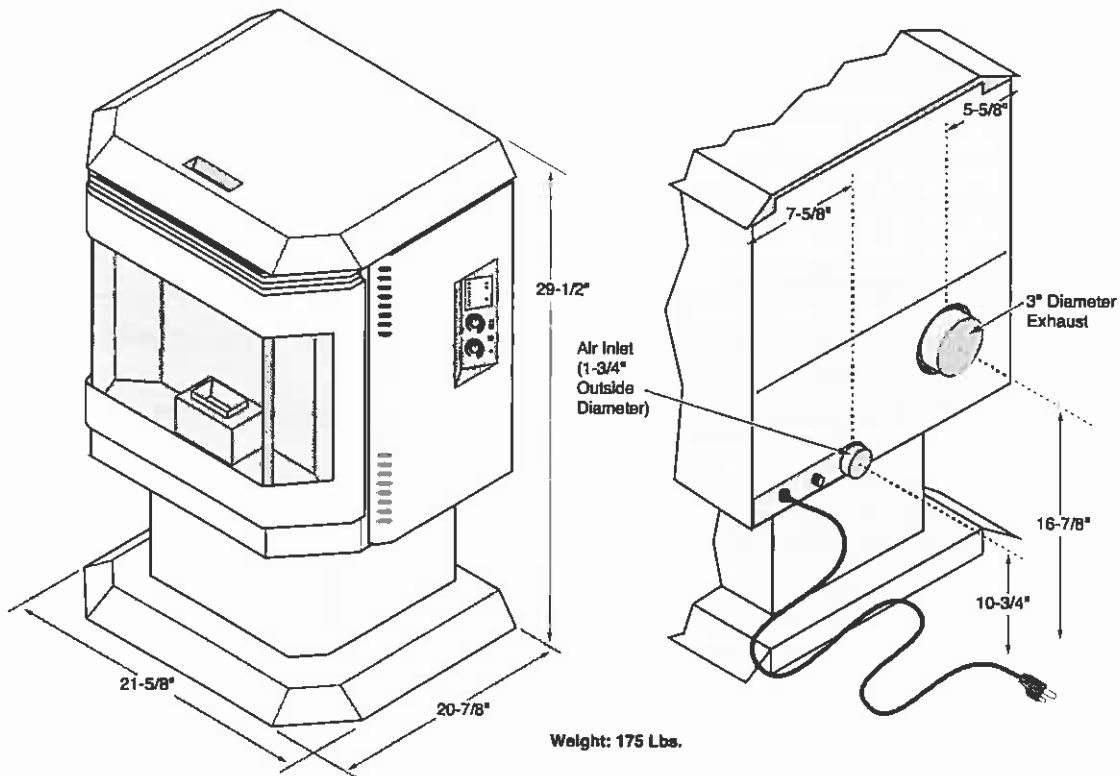
Heating Specifications:

Approximate Maximum Heating Capacity (in square feet)*	800 to 1,600 Sq. Feet
Burn Rate (Pounds per Hour)**	1.2 to 3.5
Maximum Burn Time on Low Burn**	45 Hours
Hopper Capacity	55 Pounds

* Heating capacity will vary depending on the home's floor plan, degree of insulation, and the outside temperature. It is also affected by the fuel size, quality, and moisture level.

** Small pellets will increase or decrease the stated burn rates and burn times. Differences of plus or minus 20% depending on fuel quality may occur.

Dimensions:



Weight: 175 Lbs.

Electrical Specifications:

Electrical Rating	115 Volts, 3.6 Amps, 60 Hz
Watts During Start-Up Sequence	400 (approximately)
Watts During Operation	180 (approximately)

Fuel:

The unit is designed for wood pellets that comply with the standards set by the Association of Pellet Fuel Industry (density of at least 40 lbs. per cubic foot, 1/4" to 5/16" diameter, length no greater than 1-1/2", 8200 BTU's/lb., moisture under 8% by weight, ash under 1% by weight, and salt under 300 parts per million). If the fuel does not comply to this standard, the unit may not operate as designed.

EPA Compliance:

This heater meets EPA Phase II requirements.

Before You Begin

READ THIS ENTIRE MANUAL BEFORE YOU INSTALL AND USE THIS HEATER. FAILURE TO FOLLOW THE INSTRUCTIONS MAY RESULT IN PROPERTY DAMAGE, BODILY INJURY, OR EVEN DEATH.

Check with local building officials for any permits required for installation of this pellet heater and notify your insurance company before proceeding with installation.

Packing List

- Avanti Stove
- Owner's Manual
- Door Latch Tool
- Fuses (2)
- Lag Bolts (2)

Installation Options:

- Residential or Mobile Home (see the section "Mobile Home Requirements")
- Alcove Compatible (see the section "Alcove Installation")
- Horizontal or Vertical Vent
- Outside Air Compatible
- Vent with L-Vent, L-Vent Fireplace Liner, or Type A Chimney (with adapter)

Planning The Installation

- HINT:** Have an authorized Travis Industries dealer install this heater. If you install the heater yourself, have your dealer review your installation plans.
- HINT:** Sketch out a detailed plan of the installation including dimensions. Then verify the dimensions with the requirements listed in this manual.
- HINT:** When determining the location of the stove, locate the wall studs (for horizontal penetrations) and ceiling trusses (for vertical penetrations). You may wish to adjust the stove position slightly to ensure the vent does not intersect with a framing member.
- HINT:** Place the heater outside and load 10 pounds of pellets inside the hopper. Plug the heater in and let it run on HIGH until the pellets run out. This will cure the paint and burn off any oil on the steel, eliminating any smell inside the home.

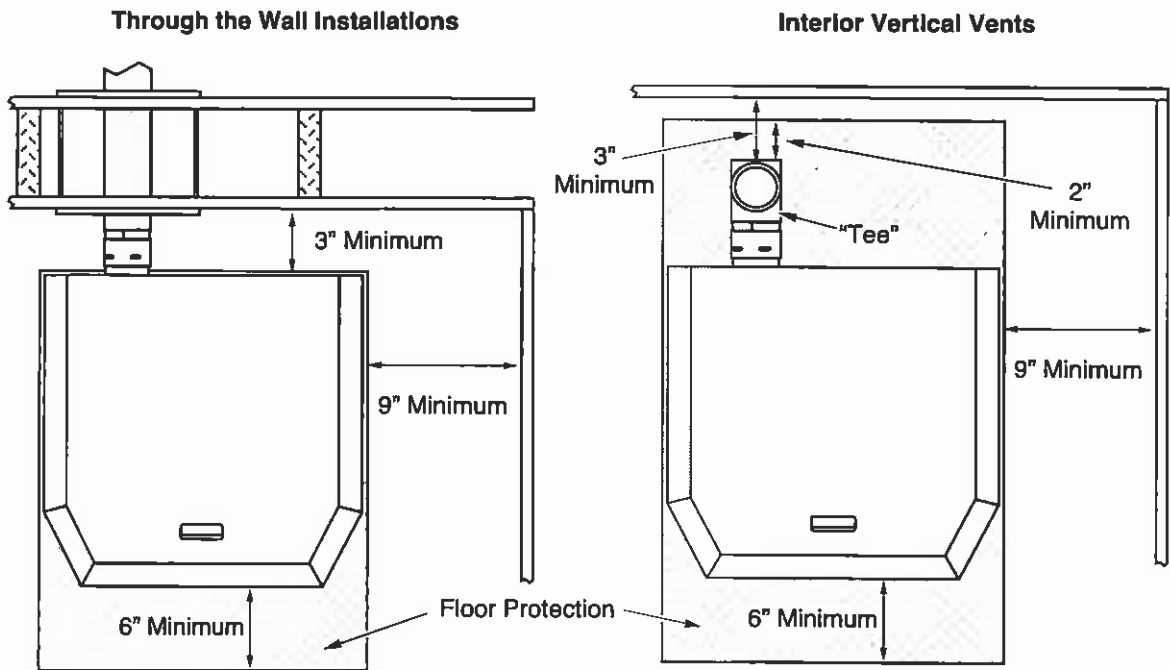
Stove Placement

- Stove must be placed so that no combustibles are within, or can swing within (e.g. drapes, doors), 36" of the front of the heater.
- ? If the stove is placed in a location where the ceiling height is less than 7', it must follow the requirements in the section "Alcove Installation Requirements".
- HINT:** REDUCING CLEARANCES - Clearances may be reduced by methods specified in NFPA 211, listed wall shields, pipe shields, or other means approved by local building or fire officials.
- Heater and floor protection must be installed on a level, secure floor.

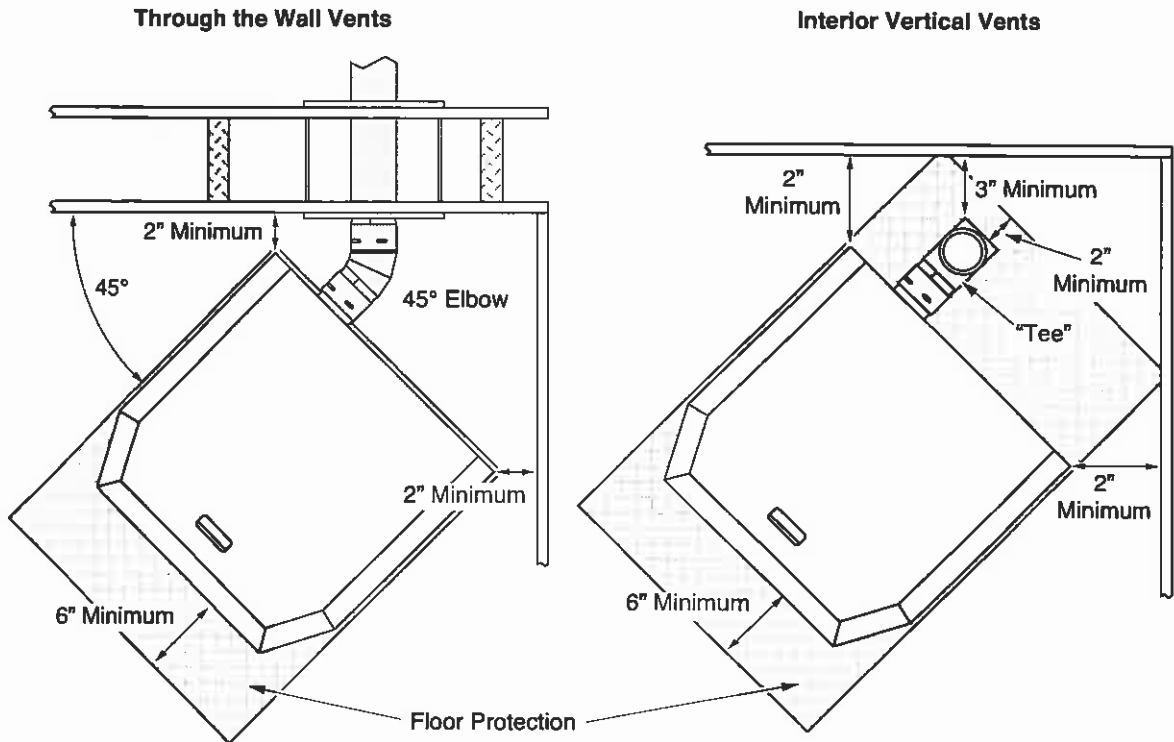
Floor Protection Requirements

- The heater must be installed on a non-combustible floor protector extending the full width and depth of the heater and extending 6" in front (Minimum 21-5/8" wide by 26-7/8" deep) (minimum .018" thick - 26 gauge) .
- Must extend under and 2" to each side and rear of a chimney "Tee" (if used).

Clearances - Straight Installation



Clearances - Corner Installation



Note: If interior vertical pellet vent is used, the clearance to the backwall is determined by the upward-turning elbow or "Tee". It will vary in depth depending on the brand of pellet vent used (it is approximately 5"). Before placing the heater, connect the elbow or "Tee" and measure off the 3" clearance.

Venting the Pellet Stove

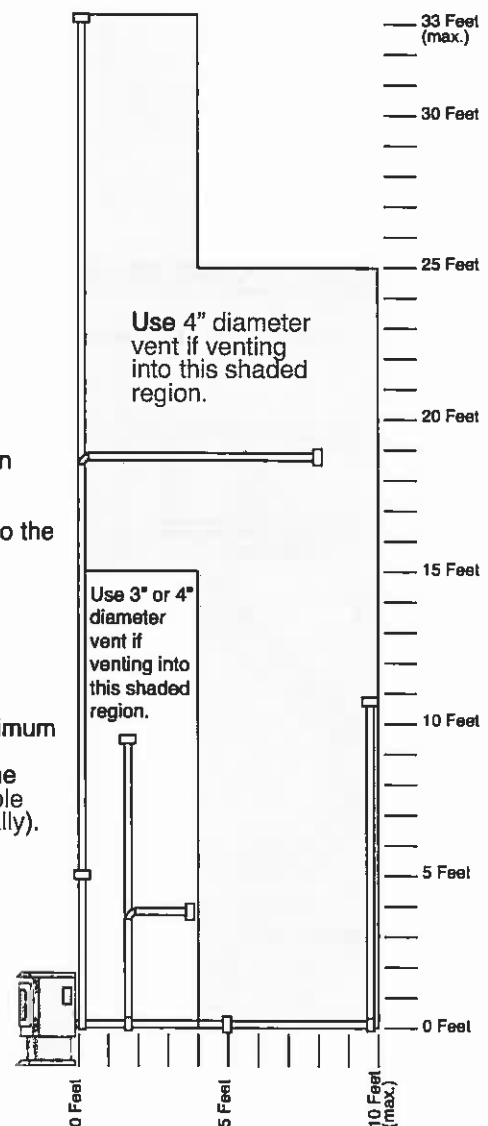
- PELLET VENT MUST MAINTAIN A MINIMUM 3" CLEARANCE TO ANY COMBUSTIBLE (INSTALL VENT AT CLEARANCES SPECIFIED BY THE VENT MANUFACTURER).
- DO NOT CONNECT THE PELLET VENT TO A VENT SERVING ANY OTHER APPLIANCE OR STOVE.
- DO NOT INSTALL A FLUE DAMPER IN THE EXHAUST VENTING SYSTEM OF THIS UNIT.
- USE AN APPROVED WALL THIMBLE WHEN PASSING THE VENT THROUGH WALLS AND A CEILING SUPPORT/FIRE STOP SPACER WHEN PASSING THE VENT THROUGH CEILINGS (MAKE SURE TO MAINTAIN 3" CLEARANCE TO ANY COMBUSTIBLES).
- No more than 180° of elbows (two 90° elbows, or two 45° & one 90° elbow, etc.).

Maximum Venting Distance:

- Vent must have a support bracket every 5' of pellet vent when exterior of structure
- If the heater is installed at an altitude over 4,000' use 4" diameter for all applications

The vent height and run must not exceed the distance shown in the shaded region shown to the right.

NOTE: To achieve optimum performance, we recommend keeping the vent as short as possible (horizontal run especially).



Pellet Vent Type

- Must be Type "L" (except for masonry fireplace installations) - or - connect the vent to a factory built type "A" chimney (use an adapter and seal all joints).

Installing the Pellet Vent

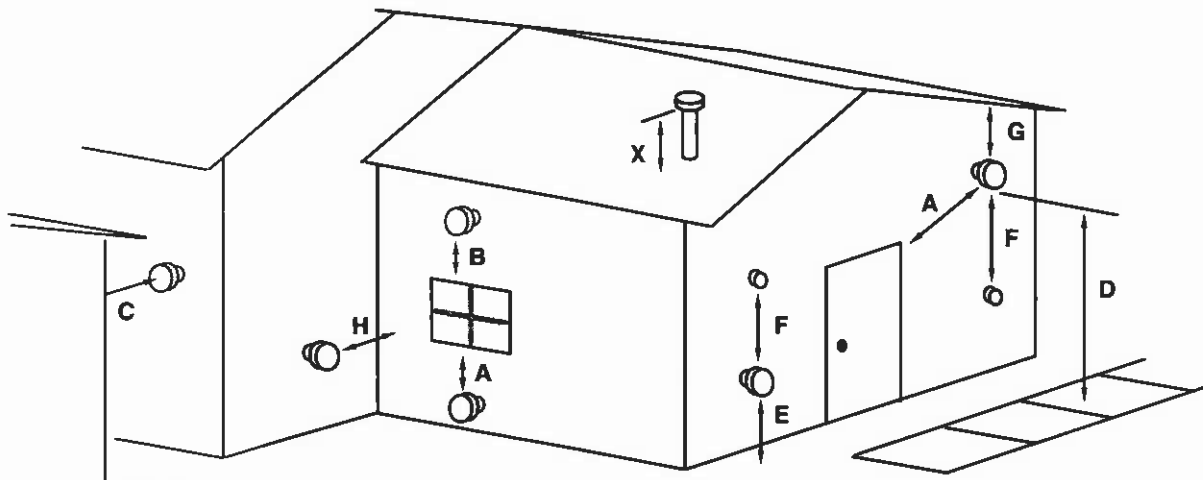


Seal each vent section by injecting a liberal amount of 500° F. RTV silicone into the gap between sections.

- Horizontal sections must have a 1/4" rise every 12" of travel.
- Pellet vent connections must be sealed airtight with 500° F. RTV silicone and screwed together with at least three sheet metal screws.

Pellet Vent Termination (See the illustration below)

- Must have an approved cap (to prevent water from entering) or a 45° downturn.
- If the termination is located on a windy side of the house, an approved house shield is recommended to prevent soot from building up on the side of the house.
- Must not be located where it will become plugged by snow or other material.
- Horizontal terminations must protrude 12" from the wall, vertical terminations require 24".



NOTE: Measure clearances to the nearest edge of the exhaust hood.

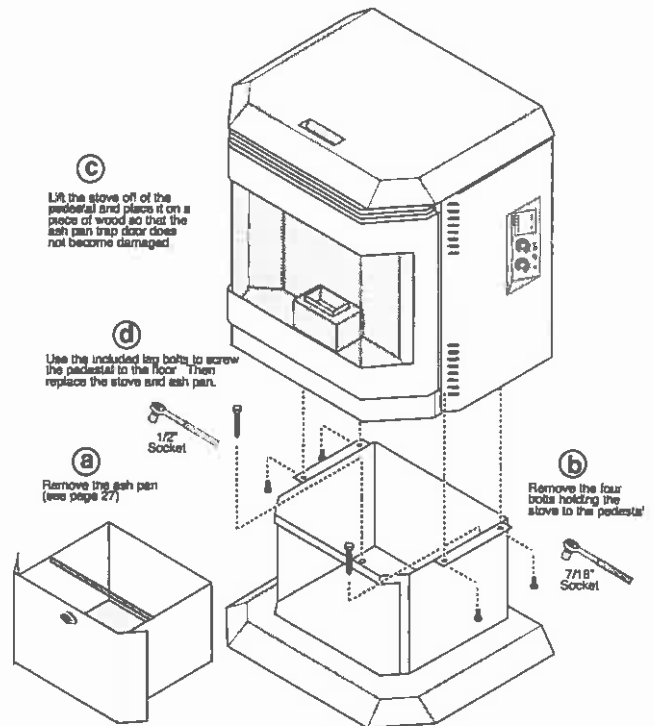
- A Minimum 4' clearance below or beside any door or window that opens
- B Minimum 1' clearance above any door or window that opens
- C Minimum 2' clearance from any adjacent building
- D Minimum 7' clearance above any grade when adjacent to public walkways
NOTE: Vent may not terminate in covered walkway or breezeway.
- E Minimum 2' clearance above any grass, plants, or other combustible materials
- F Minimum 3' clearance from any forced air intake of any other appliance
- G Minimum 2' clearance below eaves or overhangs
- H Minimum 1' clearance horizontally from combustible wall
- X Must be a minimum of 2' above the roof

Mobile Home Requirements

- Outside air is required (used for combustion) - see the directions below.
- The heater must be bolted to the floor (Some states do not require this; check with your local building department). See the illustration to the right.
- The heater must be grounded to the steel chassis of the mobile home (Some states do not require this; check with your local building department).

WARNING: DO NOT INSTALL IN SLEEPING ROOM.

CAUTION: THE STRUCTURAL INTEGRITY OF THE MANUFACTURED HOME FLOOR, WALL, AND CEILING/ROOF MUST BE MAINTAINED.

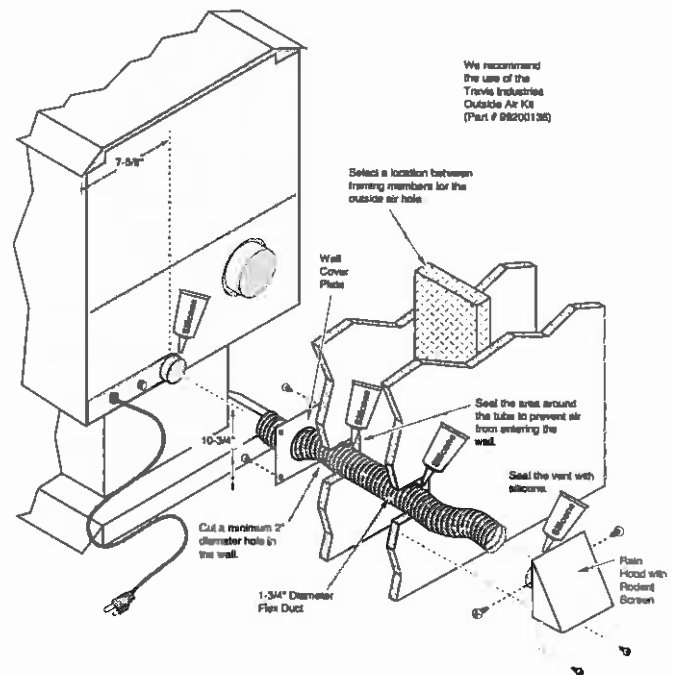


Outside Air (used for combustion)

- Must not be drawn from an enclosed space (garage, unventilated crawl space).
- HINT:** Travis Industries strongly suggests outside air for all residential installations, especially for those that are energy efficient, air tight homes.

WARNING: During a power outage there is a possibility of some smoke entering the room if an outside air connection is not used.

- Must not be over 15' long.
- Must be made with 1 3/4" diameter or larger metal or aluminum duct with a metal screen attached to the end to keep out rodents (P.V.C. or other combustible materials may not be used). Use the Travis Industries Outside Air Kit (part # 99200136).
- Must not terminate above or within 1' of the chimney termination.
- Must have a rain cap or down-turned elbow to prevent water from entering.
- Must be located so that it will not become plugged by snow or other material.



Alcove Installation Requirements

Whenever the pellet stove is placed in a location where the ceiling height is less than 7' tall, it is considered an alcove installation. Because of the reduced height, the installation requirements listed below must be met.

- Minimum height is 60"
- Minimum width is 42"
- Maximum depth is 48"
- Minimum clearance of 9" on each side and 3" on back

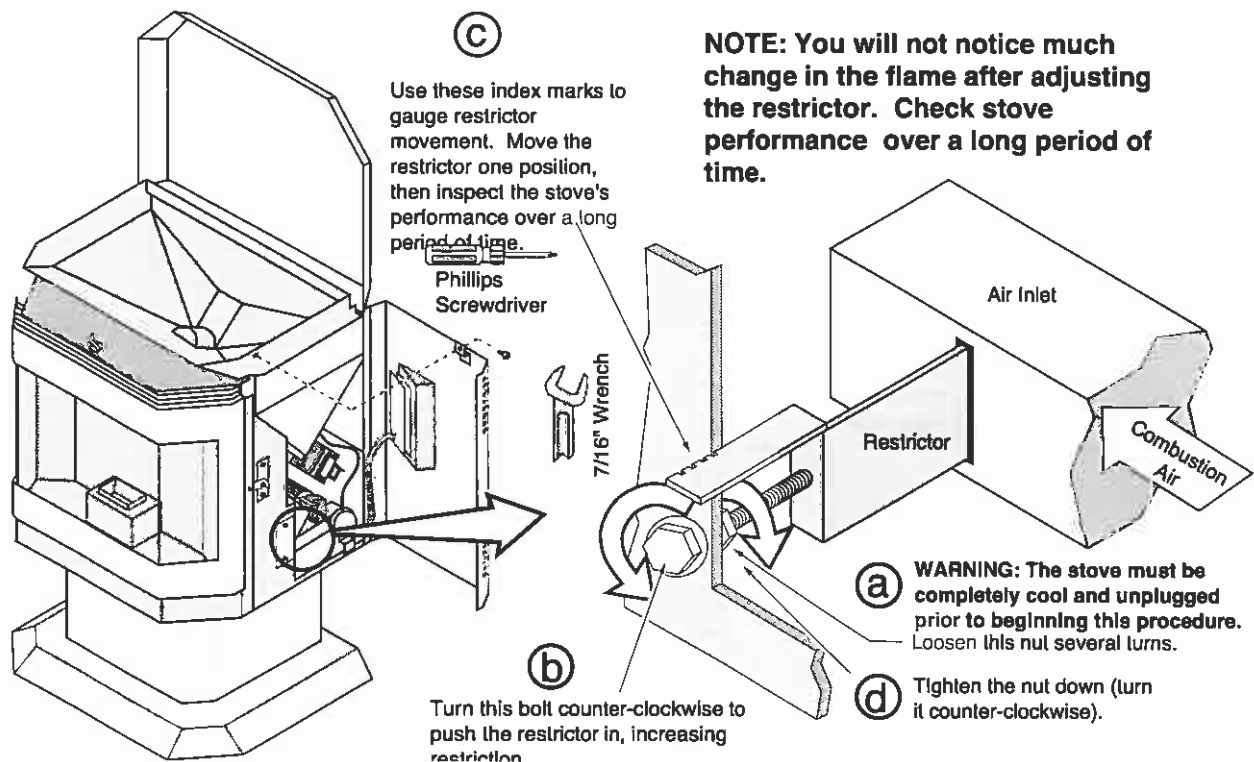
Setting the Restrictor

In extremely rare cases the vent will produce too much draft for the stove. This leads to an inefficient burn, and in some cases, the flame going out. This typically happens in tall vertical installations or very short horizontal installations. The factory setting is wide open.

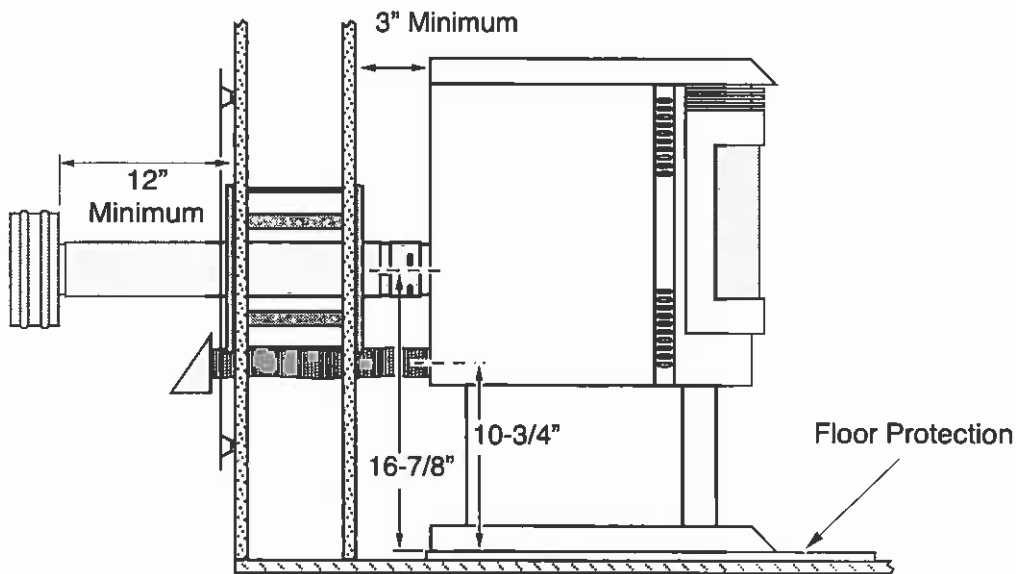
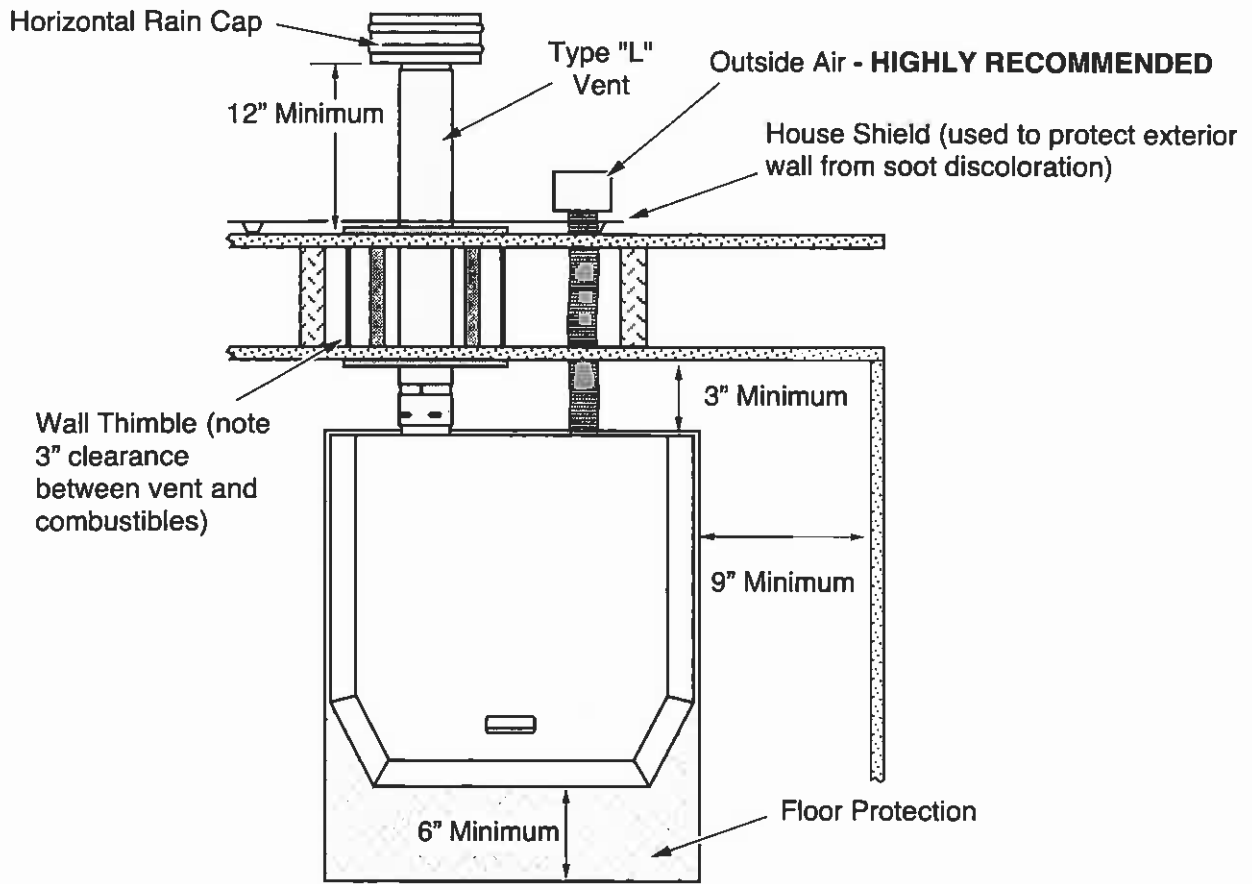
When to Adjust the Restrictor (for qualified installers only):

- If un-burned pellets are expelled from the firepot often (make sure they are un-burned, not just cylindrical embers), the restrictor needs adjustment.
- If on LOW the pellets burn too quickly and the flame goes out, the restrictor needs adjustment.

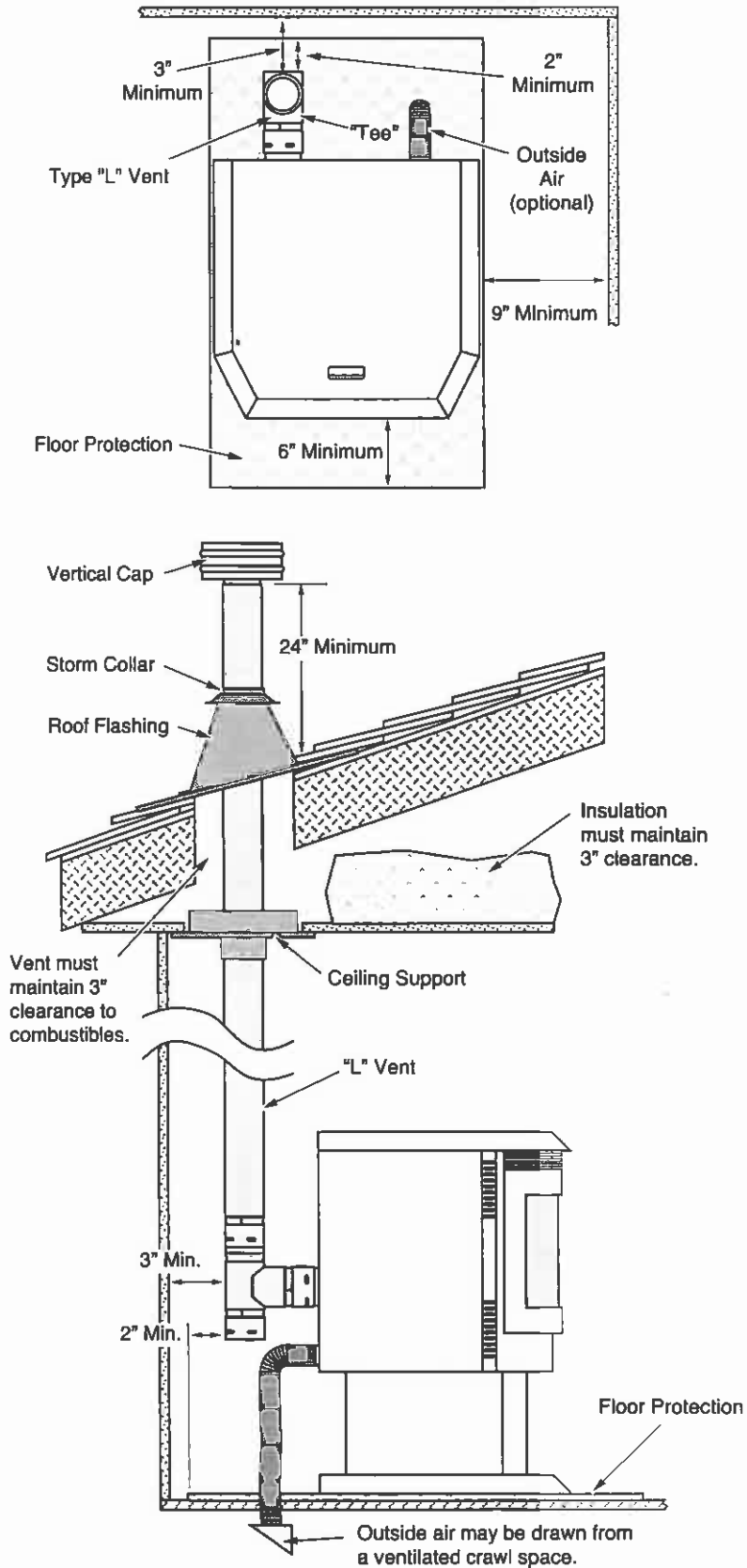
How to Adjust the Restrictor (for qualified installers only):



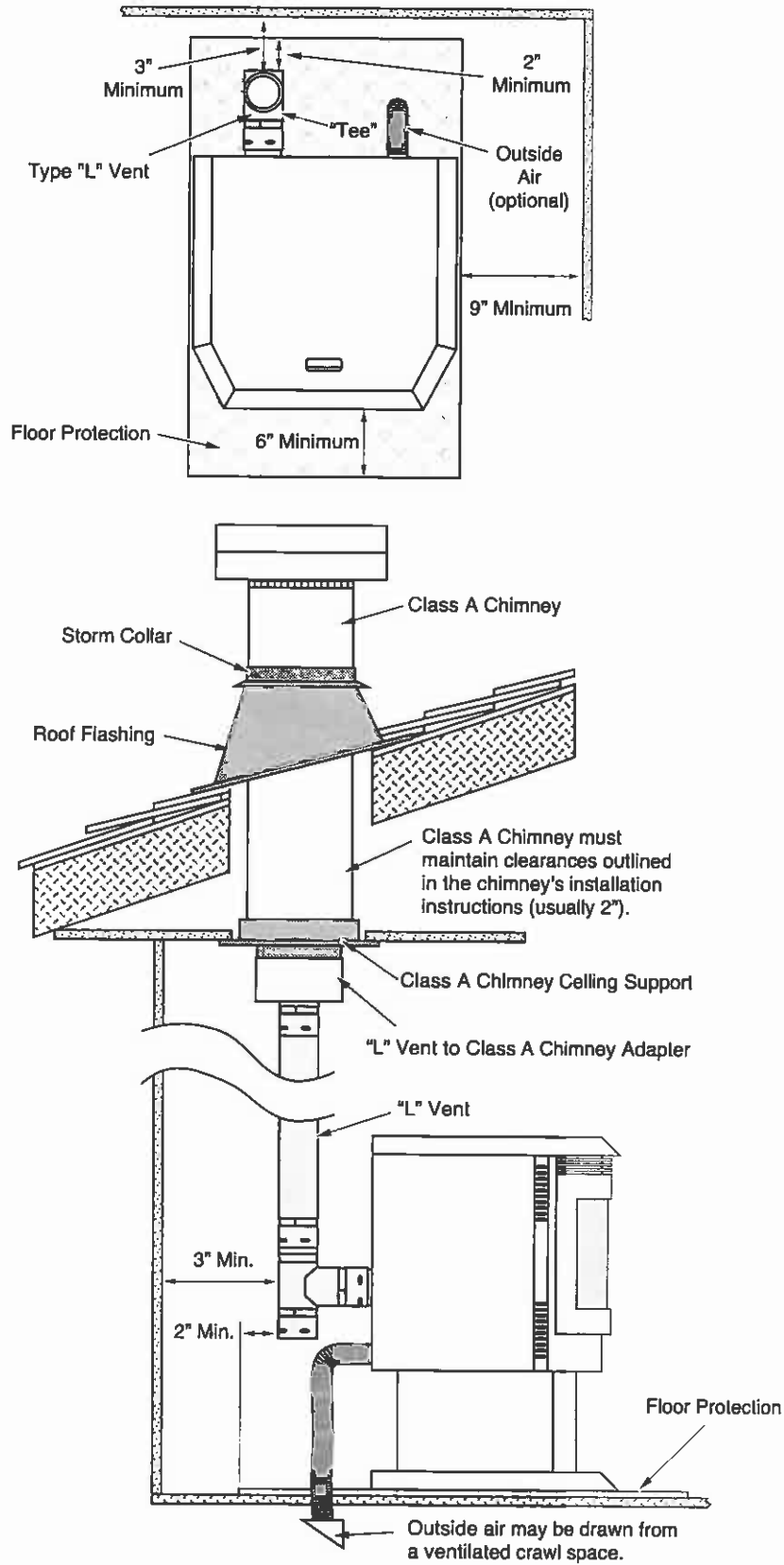
Installation Example: Direct "Through-the-wall" Installation



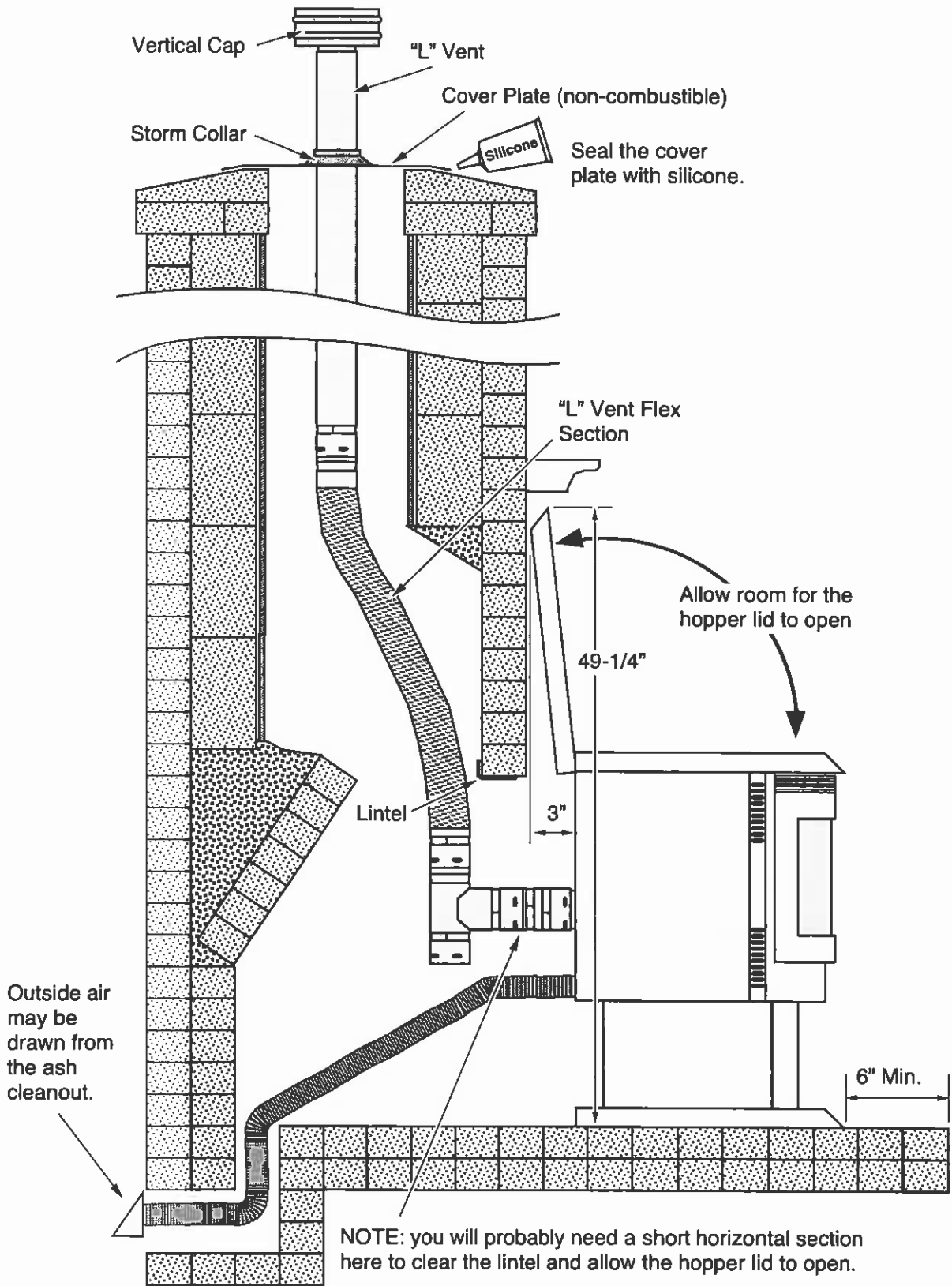
Installation Example: Interior Vertical Installation



Installation Example: Class A Chimney Retrofit



Installation Example: Hearth Fireplace (Masonry or Z.C. (metal))

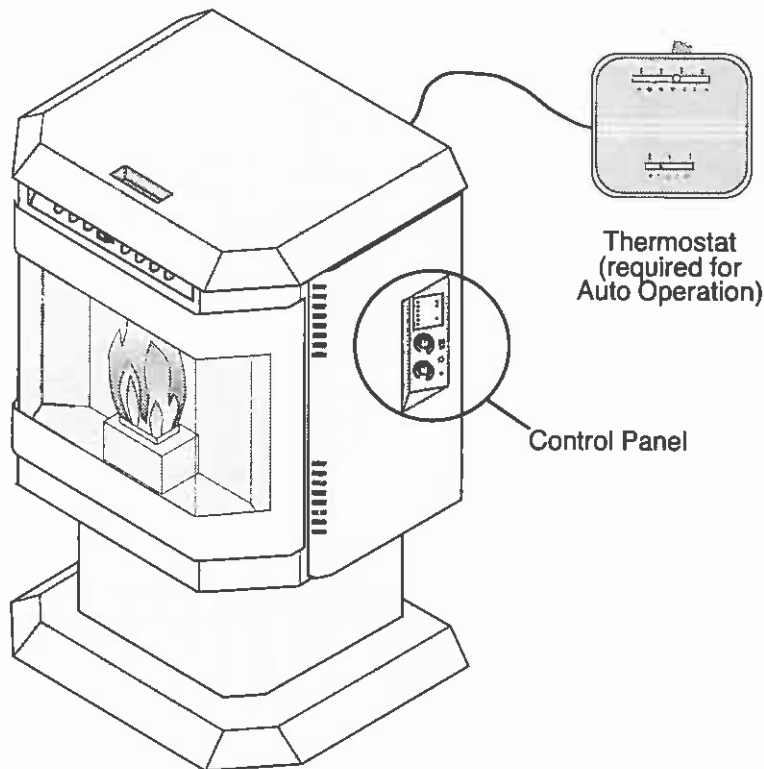


Safety Notice

Read this entire manual (especially the "Safety Precautions" on pages 2 and 3) before using this stove. Failure to follow the instructions may result in property damage, bodily injury, or even death.

- ! Do not unplug the stove to turn it off. This stove relies upon electricity to push the flue gases out the pellet vent – unplugging it may lead to smoke entering your room.
- ! Failure to maintain your heater will lead to a restricted combustion air system, leading to poor performance and in some cases, smoke spillage into the room. See the "Maintenance" section for details.

Location of Controls



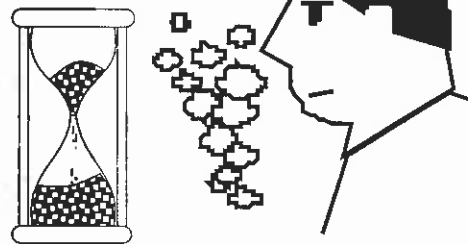
Starting the Heater for the First Time

Curing the Paint

This stove uses a heat-activated paint that will emit some fumes while starting the first fire. Open doors and windows to the room to vent these fumes. You may also notice oil burning off of the interior of the stove. This rust-stopping agent will soon dissipate.

Priming the Auger

2 to 4 hours



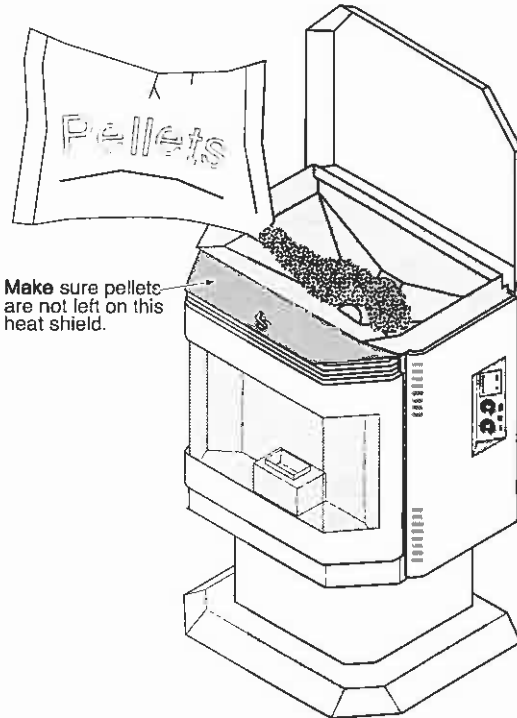
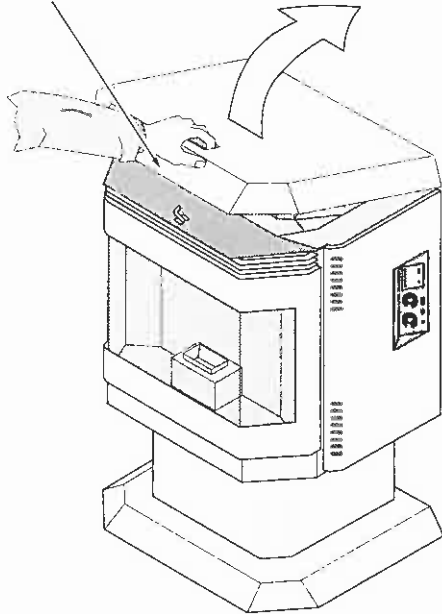
Because of its electronic control panel, this stove does not require priming. If you run out of pellets you may notice it will take approximately 5 minutes longer for the stove to start.

Loading Pellets

Lift the hopper lid to its vertical position. Pour pellets into the hopper until full. NOTE: The hopper holds approximately 55 pounds of pellets.

WARNING:

The front edge of the hopper lid becomes very hot, do not touch the area below the handle.



The Two Modes of Operation:

Manual

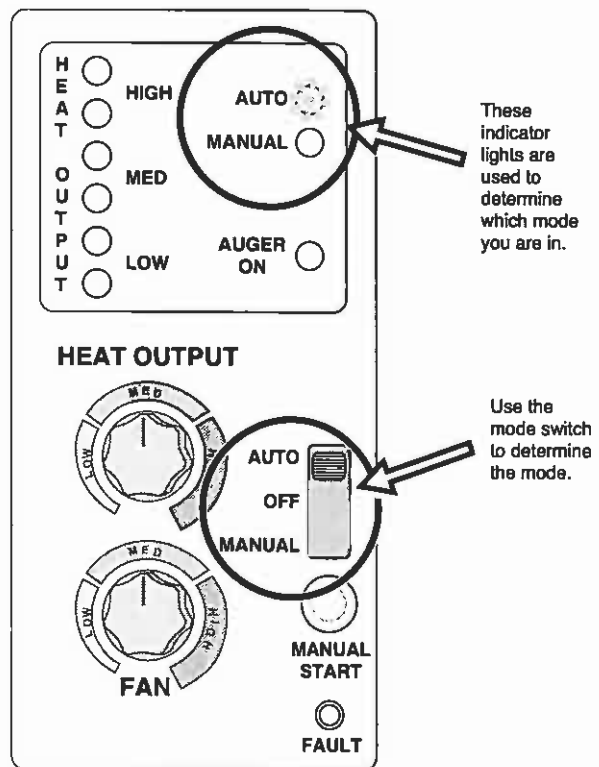
Manual mode requires the user to turn the heater on and off manually.

Auto (requires a thermostat)

Auto mode allows you to use a thermostat to control room temperature. The stove automatically turns on when the temperature drops below the thermostat setting. Once the stove reaches operating temperature, the stove then runs at the heat output setting selected.

Switching Modes While in Operation

Whenever the stove is switched from one mode to another while in operation, the stove will enter the "start-up" sequence for a minimum of 10 minutes.



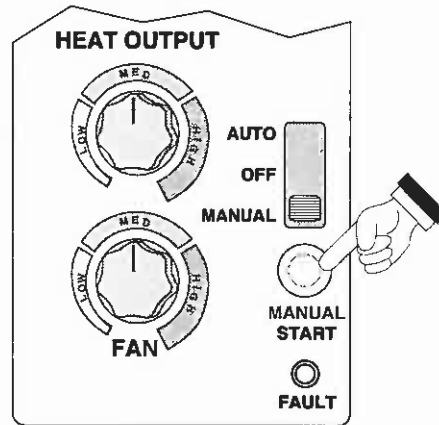
Manual Mode

Manual mode requires the user to turn the heater on and off manually.

To Start

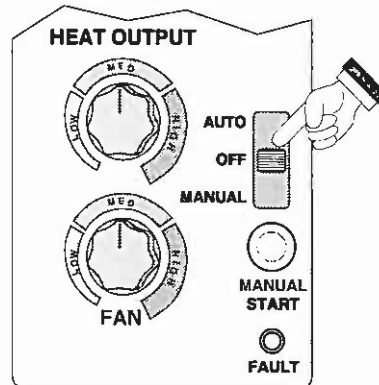
Press the "Manual Start" button. That's it. The stove automatically goes to a medium burn rate and high fan while the igniter starts the fire burning within 10 minutes. If the stove does not start in 30 minutes, the stove turns off.

Once up to temperature, the stove will burn at the burn rate selected on the "Heat Output" dial.



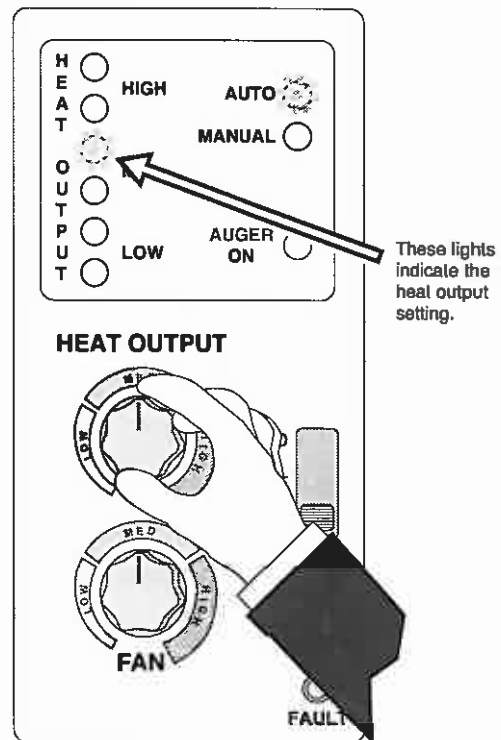
To Shut Down

Move the mode switch to "OFF". The exhaust blower will still run until the heater cools down.



To Adjust the Heat

Adjust the "Heat Output" dial to meet the heating requirements you desire.

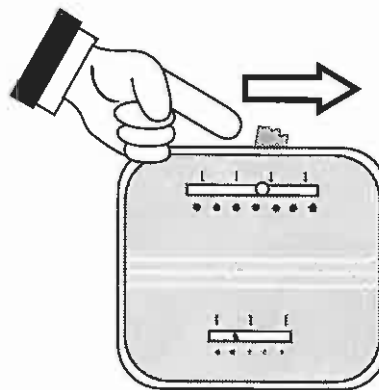


Auto Mode

Auto mode allows you to use a thermostat to control room temperature. The stove automatically turns on when the temperature drops below the thermostat setting. Once the stove reaches operating temperature, the stove then runs at the heat output setting selected.

To Adjust Room Temperature (or Start the Stove)

Move the thermostat to the heat setting desired. If the room is cooler than the setting, the stove will go through the start-up sequence for approximately 10 minutes. Once up to temperature, the stove will then run at the heat output setting selected on the control panel. If the room is too hot, move the thermostat to a lesser setting.



To Adjust the Heat

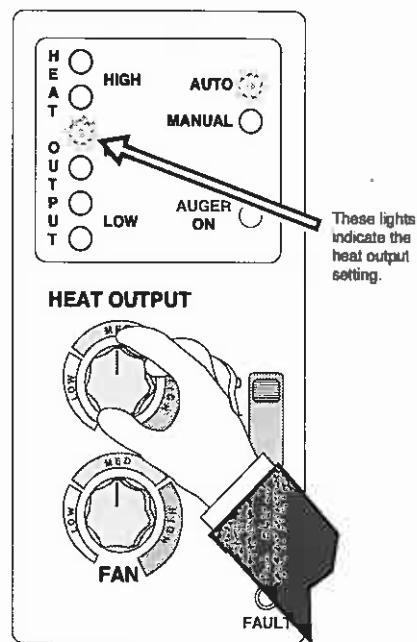
Adjust the "Heat Output" dial to meet the heating requirements you desire.

NOTE:

If you find that the stove turns on and off repeatedly, you may wish to turn the heat output to a lesser setting. The lower setting will provide a more consistent heat output over time, eliminating the need for the thermostat to repeatedly turn the stove off.

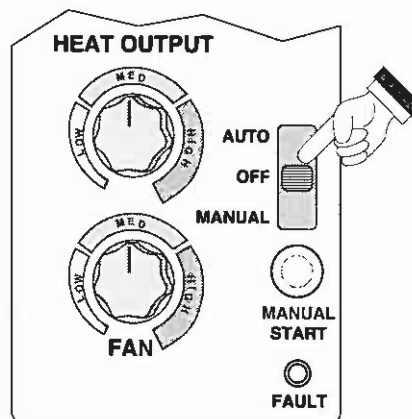
NOTE:

If the thermostat calls for heat while the stove is still cooling down, the stove will go through the start-up sequence.



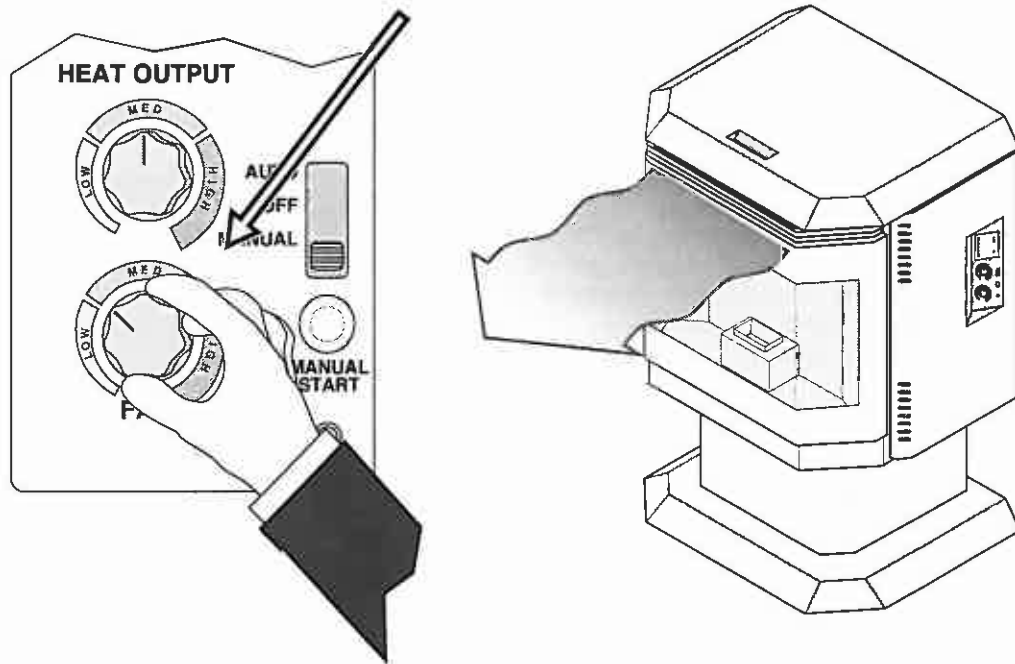
To Shut Down

Move the mode switch to "OFF". The exhaust blower will still run until the heater cools down.



Adjusting the Fan Speed

Use the FAN dial to adjust the convection blower speed.



Start-Up Sequence

This stove utilizes a start-up sequence whenever the mode switch is changed or the heater is started when cold. This is to ensure proper operation through all possible settings and operational states (hot or cold, pellets burning or not burning, etc.). This sequence over-rides all user settings (except the "OFF" position) to set the auger feed rate to high, the exhaust blower to high, and the igniter on.

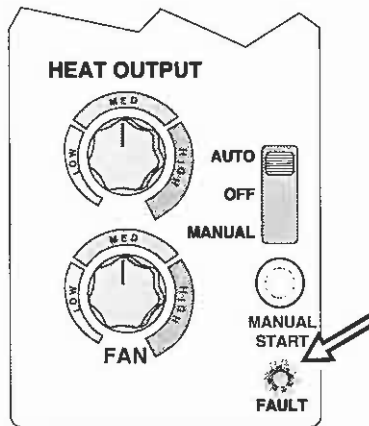
"AUGER ON" Light

This light comes on when the auger is turning. This allows the operator to determine when the auger is turning.

"FAULT" Light

This light comes on when an error occurs:

- The stove runs out of pellets
- During initial start-up (for a split second) or for improper electrical frequency
- A start-up sequence that does not result in the heater coming up to temperature

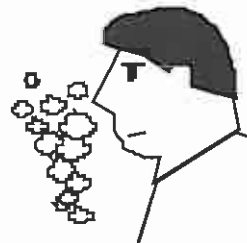
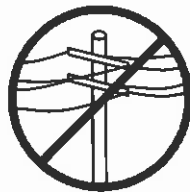


To reset the fault light, turn the mode switch to off and re-start the stove.

Power Outages

If a sustained power outage occurs while in "Manual", the stove will go to a "cool down" mode to vacate smoke once power returns. If the power outage was short, the heater will go to the start-up sequence. If in "Auto", the stove will re-start (if the room is cool).

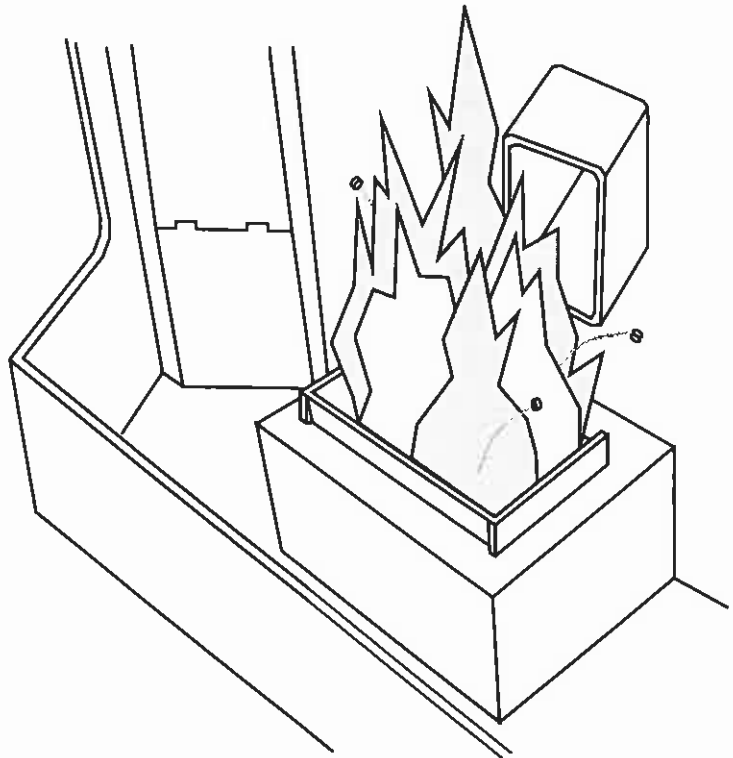
- ! Because this stove relies upon a blower to evacuate the smoke, some smoke may enter the home during a power outage. To keep to a minimum, leave the door closed.



Daily Maintenance (whenever using the stove)

Inspect the Burn

When burning, the flames should be bright orange with an occasional ember jumping from the firepot.

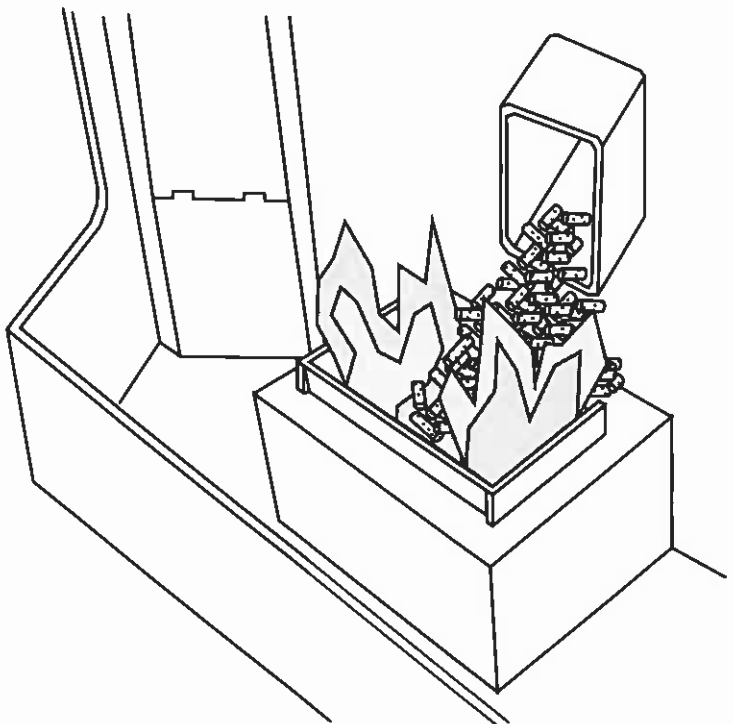


Make Sure Pellets are Not Piling Up

If the pellets pile up over the burn pot, turn the mode switch to "OFF".

The most likely causes are:

- The door, glass, or ashpan is open or has an air leak
- The firepot requires cleaning
- The exhaust system requires cleaning
- The stove requires adjustment



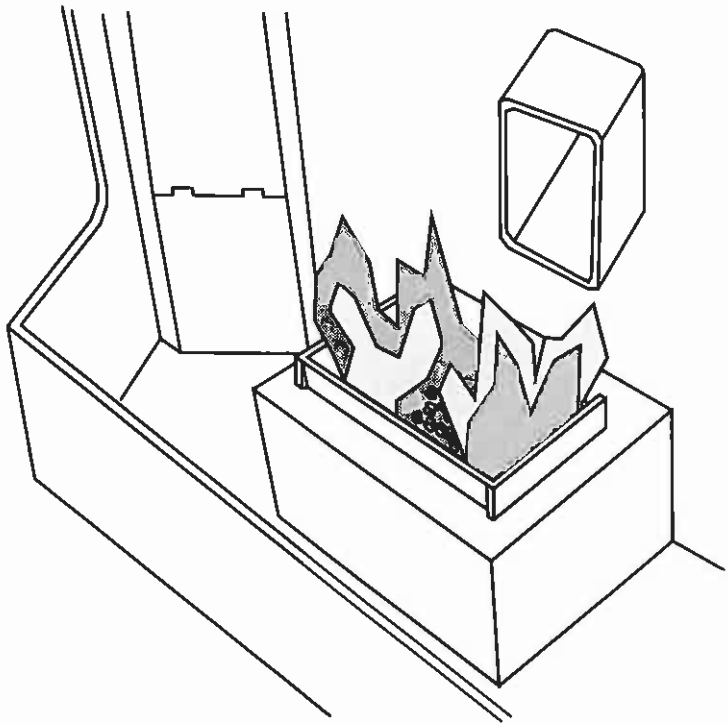
Daily Maintenance (whenever using the stove) - Continued

Check Firepot for Clinkers

If the flames seem to be coming only from the sides, or are orange/black, turn the stove off and check for clinkers.

The most likely causes are:

- Poor pellet quality
- The door or glass has an air leak
- The exhaust system requires cleaning
- The stove requires adjustment

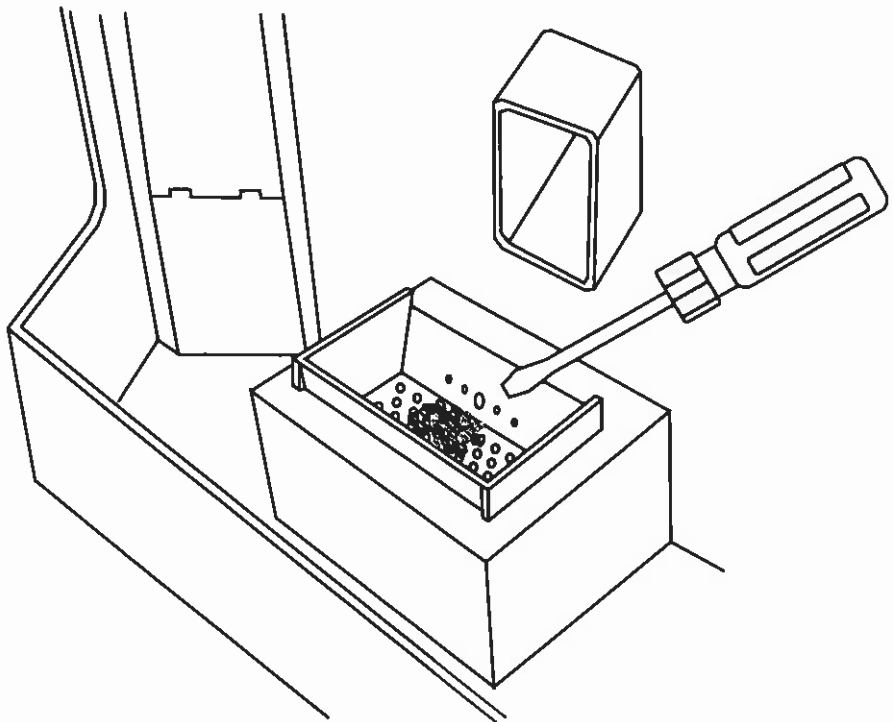


Cleaning the Firepot

WARNING:

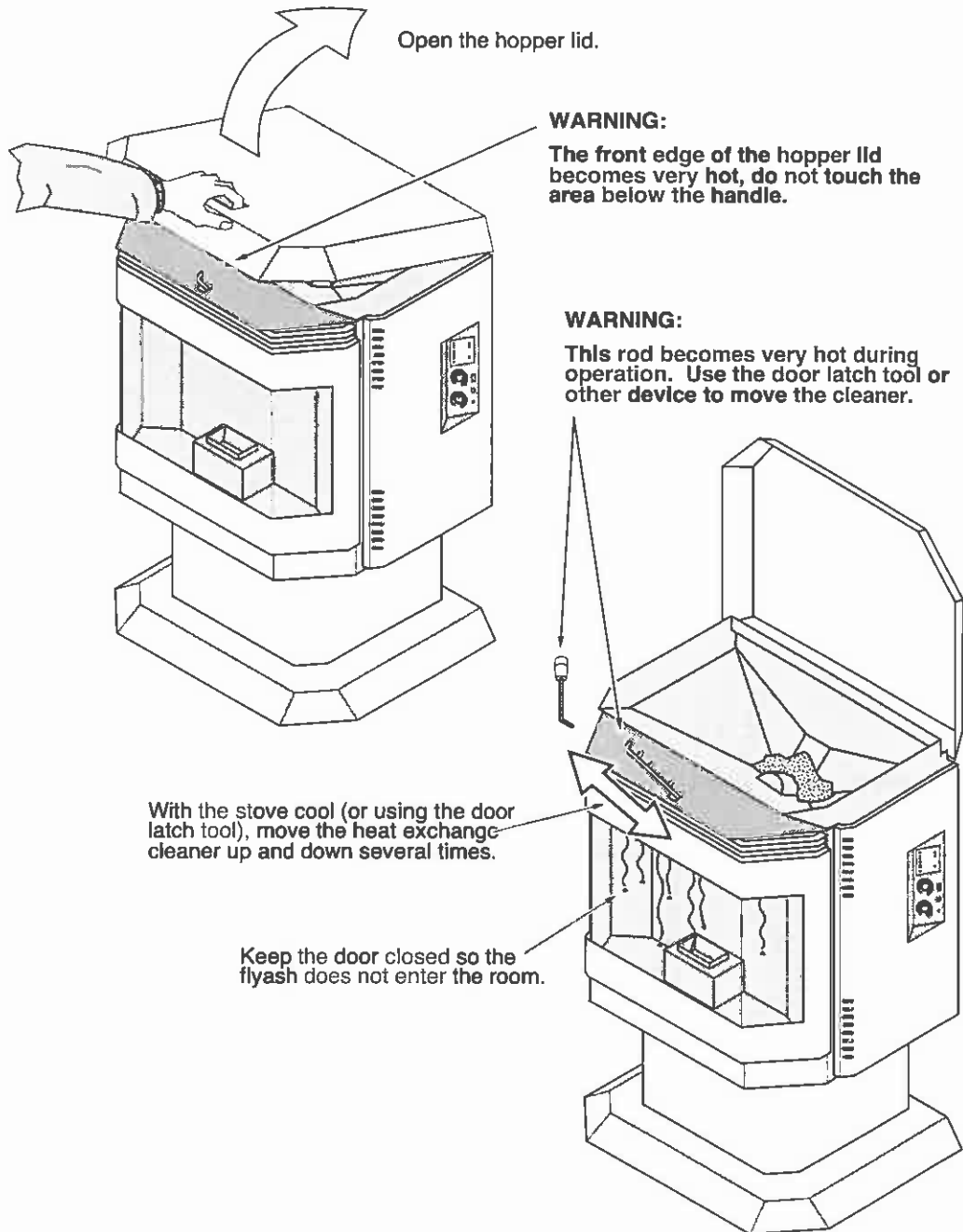
Make sure the stove has fully cooled (approximately 25 minutes) before opening the door and conducting service.

To clean the firepot, open the door (see page 25) and knock away any debris on the firepot with a screwdriver. If severely clogged, remove the firepot to gain better access.



Bi-Weekly Maintenance (or every 10 bags of pellets)

Clean the Heat Exchange Tubes



Vacuum Hopper

Run the stove until the pellets run out. Open the hopper and vacuum out the entire hopper. The dust and any other debris near the bottom should be removed to prevent excessive build-up.

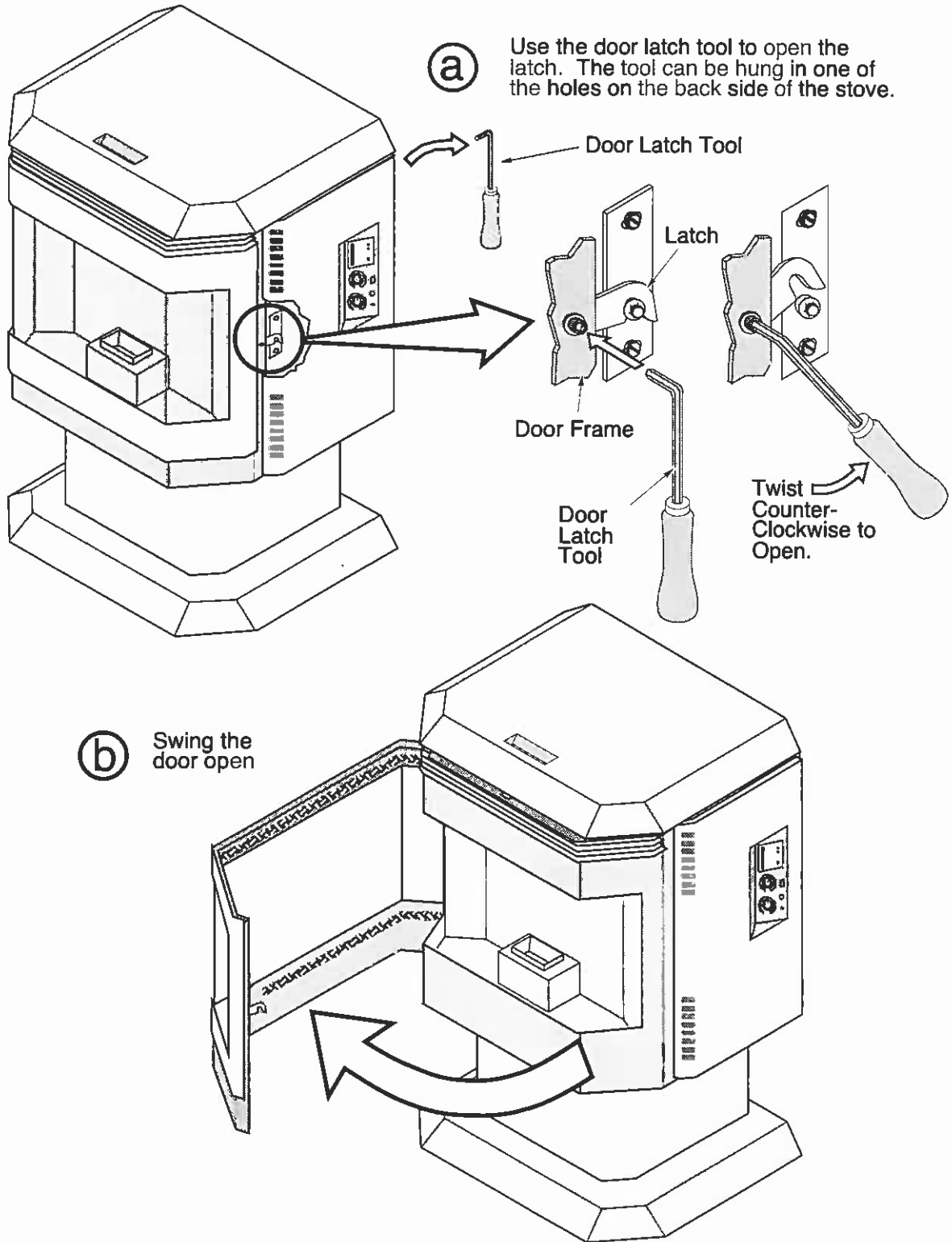
Clean the Gold Door

Use denatured alcohol and a soft rag to clean the gold door (make sure the stove is cool).

Bi-Weekly Maintenance (or every 10 bags of pellets) - Continued

Opening The Door

WARNING: The front of the stove becomes very hot during operation. Let the stove cool completely before conducting service.

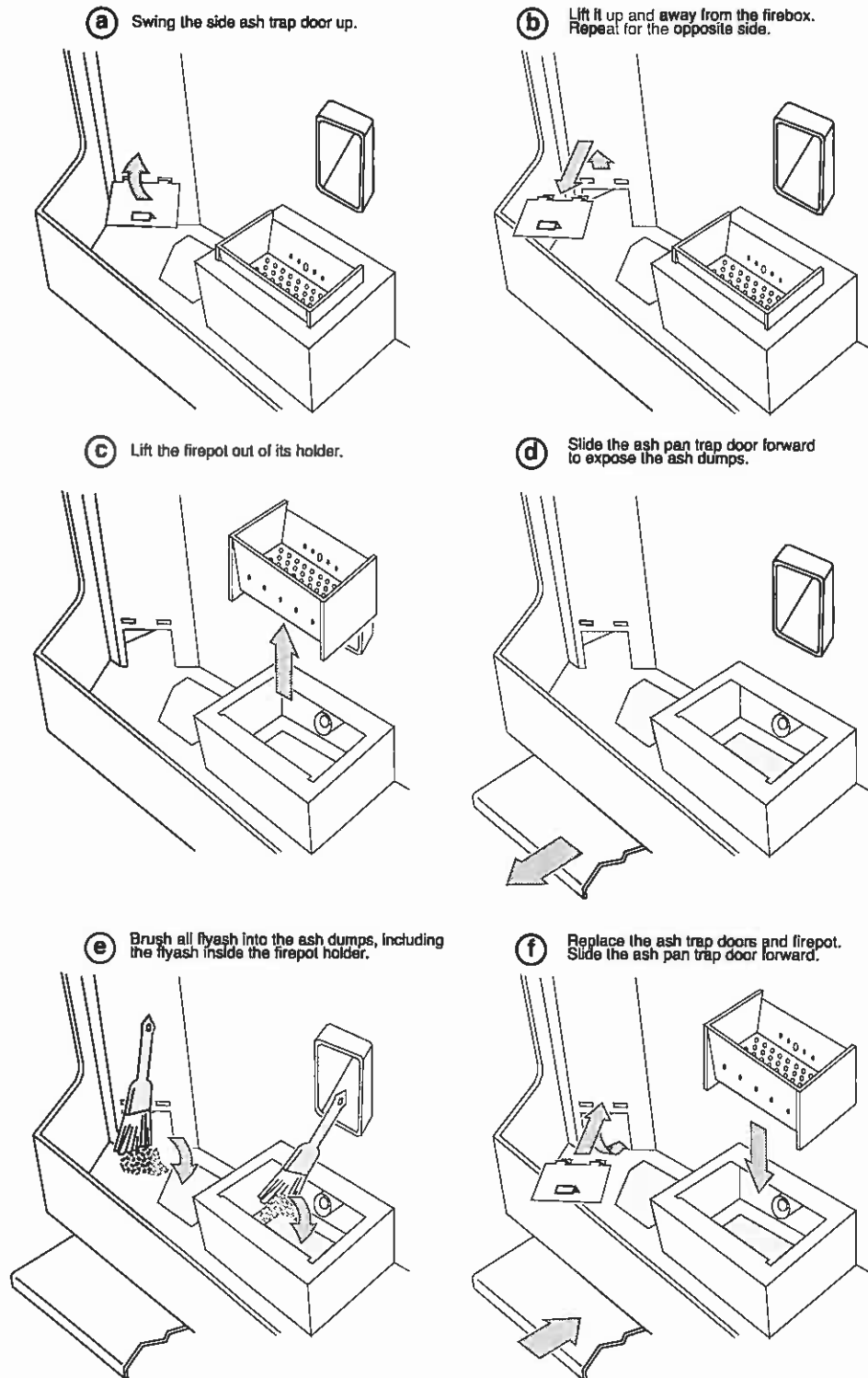


Bi-Weekly Maintenance (or every 10 bags of pellets) - Continued

Sweep Ash Into Ashpan

HINT: The more often you clean out the flyash, the more efficient your heater will burn.

WARNING: The firebox becomes very hot during operation. Let the stove cool completely before conducting service.

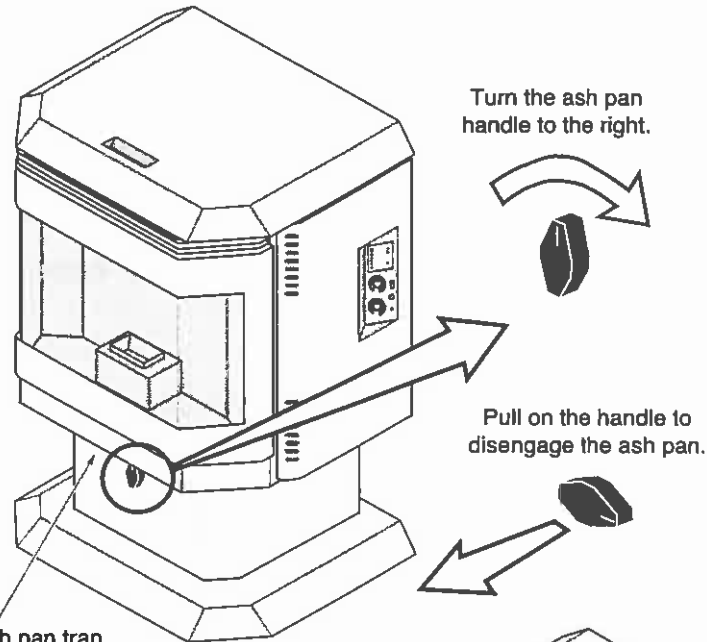


Bi-Weekly Maintenance (or every 10 bags of pellets) - Continued

Check Ashpan, Dispose if necessary

WARNING:

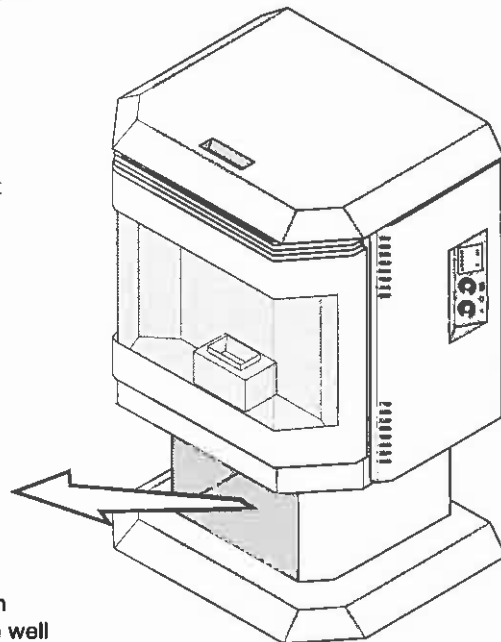
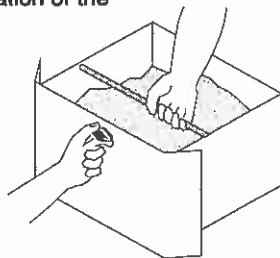
The front of the stove becomes very hot during operation. Let the stove cool completely before conducting service.



NOTE: keep the ash pan trap door closed while removing the ash pan. This will ensure ash does not fall below the ash pan.

NOTE: When replacing the ash pan make sure it is pushed all the way in and the handle is turned with the index mark pointed upwards.

The ash pan has a built in handle to ease transportation of the ashes.



NOTE: Dispose the ashes when completely extinguished. Place well away from any structures or flammables

Disposal of Ashes – Ashes should be placed in a metal container with a tight fitting lid. The closed container of ashes should be placed on a noncombustible floor or on the ground, well away from all combustible materials, pending final disposal. If the ashes are disposed of by burial in soil or otherwise locally dispersed, they should be retained in the closed container until all cinders have been thoroughly cooled.

Clean the Glass

Open the door and clean the glass with a non-abrasive glass cleaner and rag. This will increase the amount of light and heat given off by the heater.

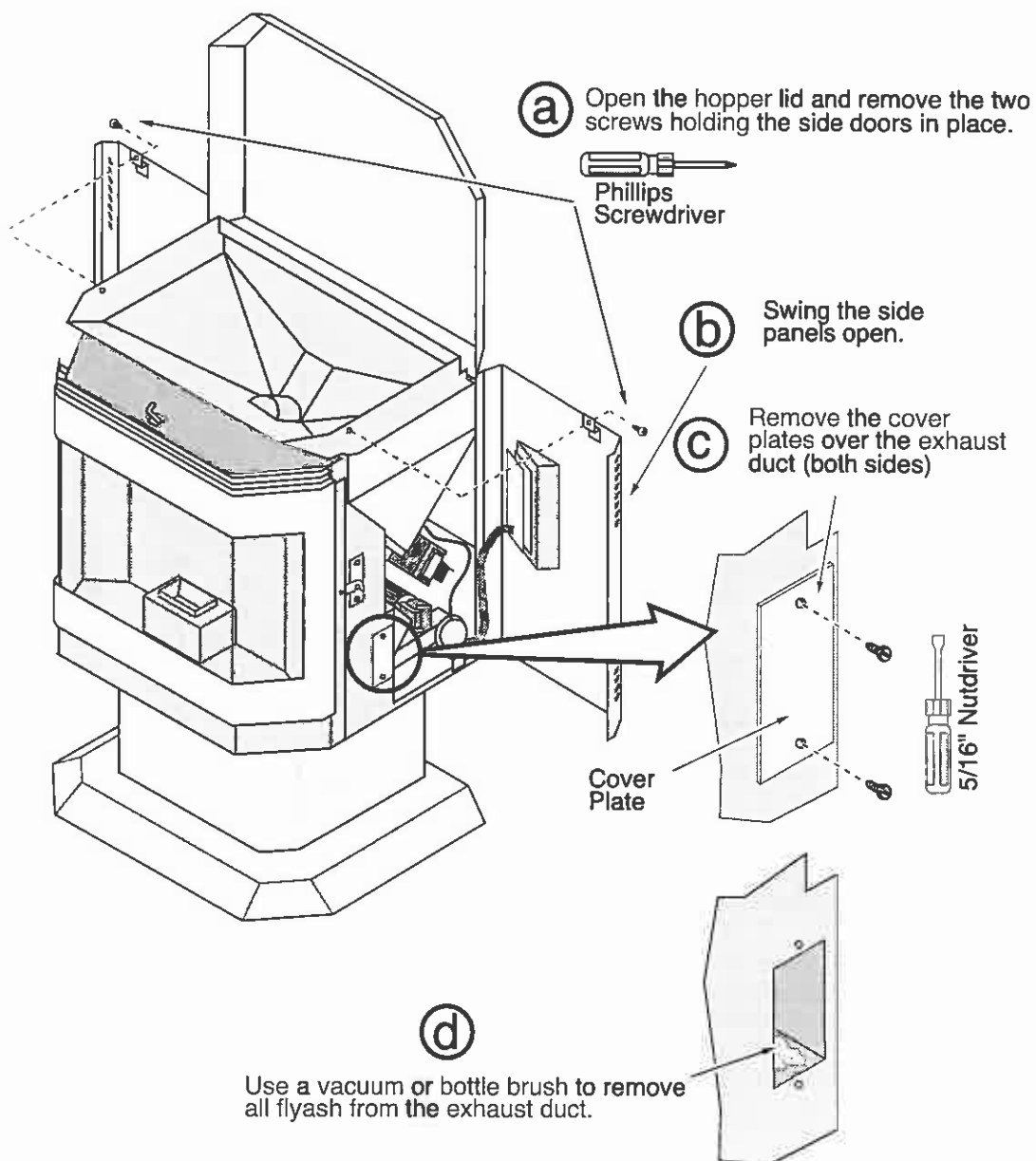
Yearly Maintenance (or every two tons)

WARNING: Disconnect the power cord prior to conducting service.

The following section details extensive maintenance procedures. We strongly suggest these items be carried out by a trained service technician, possibly by a service agreement set up with your dealer.

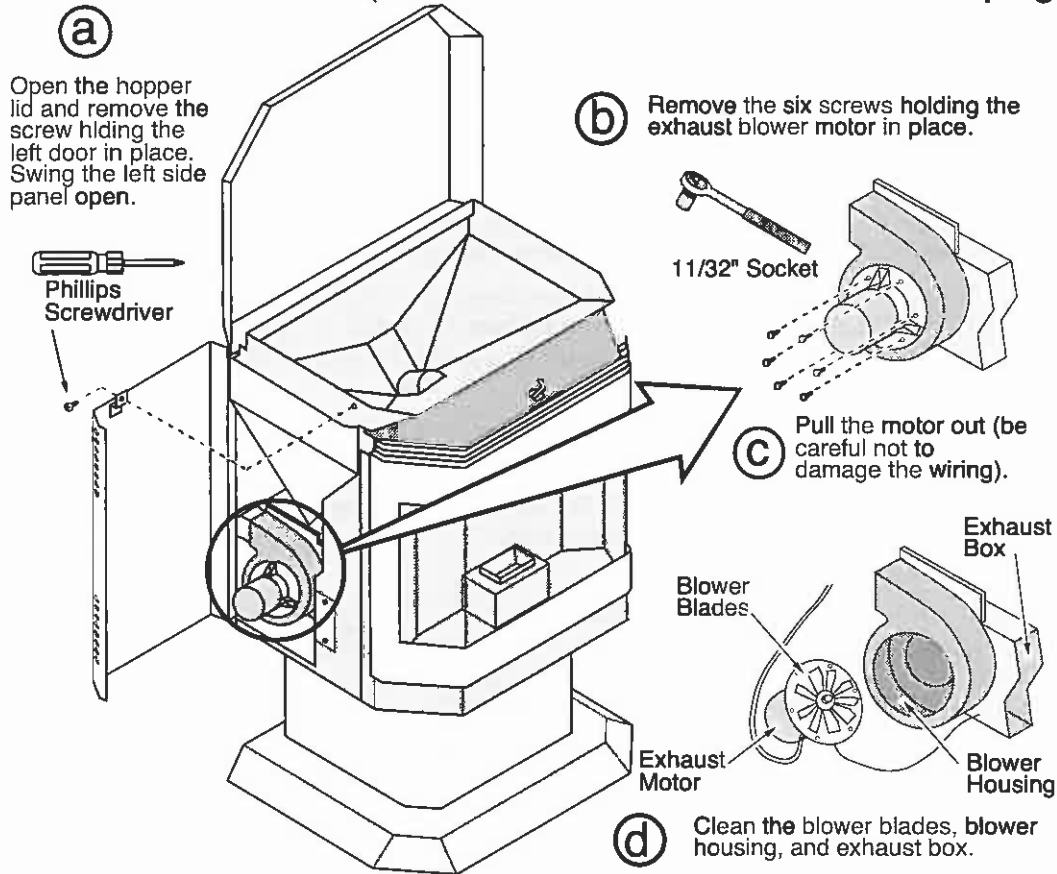
Soot and Flyash: Formation and Need for Removal – The products of combustion will contain small particles of flyash. The flyash will collect in the exhaust venting system and restrict the flow of the flue gases. Incomplete combustion, such as occurs during startup, shutdown, or incorrect operation of the room heater will lead to some soot formation which will collect in the exhaust venting system. The exhaust venting system should be inspected at least once every year to determine if cleaning is necessary.

Clean the Exhaust Duct (make sure the stove is cool and unplugged)

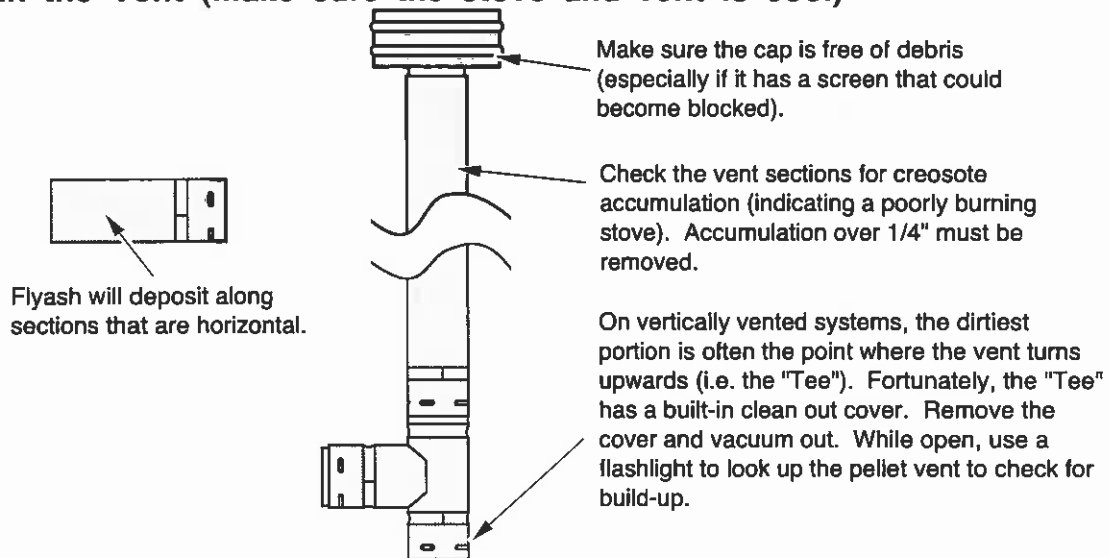


Yearly Maintenance (or every two tons) - Continued

Clean the Exhaust Blower (make sure the stove is cool and unplugged)



Clean the Vent (make sure the stove and vent is cool)

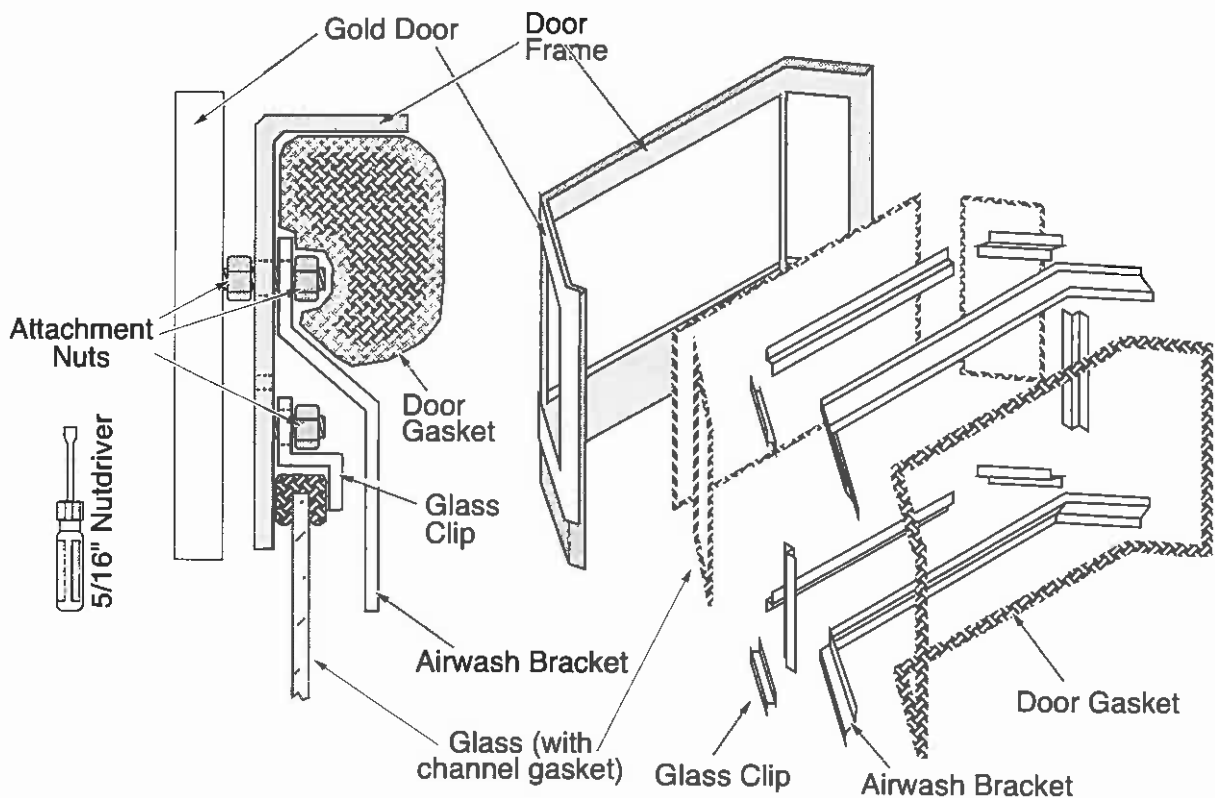


Warning: Whenever any portion of the pellet vent is disconnected, the joints must be sealed with RTV 500° F. silicone sealant.

Yearly Maintenance (or every two tons) - Continued

Check for Air Leaks Around the Door, Glass, and Ashpan

- ! Air leaks into the firebox will decrease the stove's performance greatly, leading to excessive sooting, inefficient burning, and perhaps a malfunction.
- Test the door seal by shutting the door on a dollar bill in various locations. If the bill can be easily slid out, air may be leaking around the door seal – inspect the door gasket and door catch carefully.
- Inspect the door gasket to make sure it is fully attached. Use stove gasket cement to re-attach if necessary. If the door gasket is worn or flattened, replace.
- Check the door to make sure it latches correctly. Slight adjustments can be made to the door catch if necessary (do not over-tighten this catch, an over-tightened catch will damage the door). The latch should engage with a slight amount of resistance, yet not be difficult to engage.
- If the glass is cracked, replace. The glass is held in place by glass clips that are underneath the airwash brackets. See the illustration below for details.
- Remove the ashpan and inspect the gasket around the perimeter of the ashpan. Re-attach, or replace the gasket if necessary.



Exhaust Blower

The flow of exhaust gases may create a low-pitched hum. This sound will change as the FEED RATE is altered.

Auger Motor

When feeding pellets, you may hear the intermittent buzz of this motor running.

Heat Exchanger Tubes

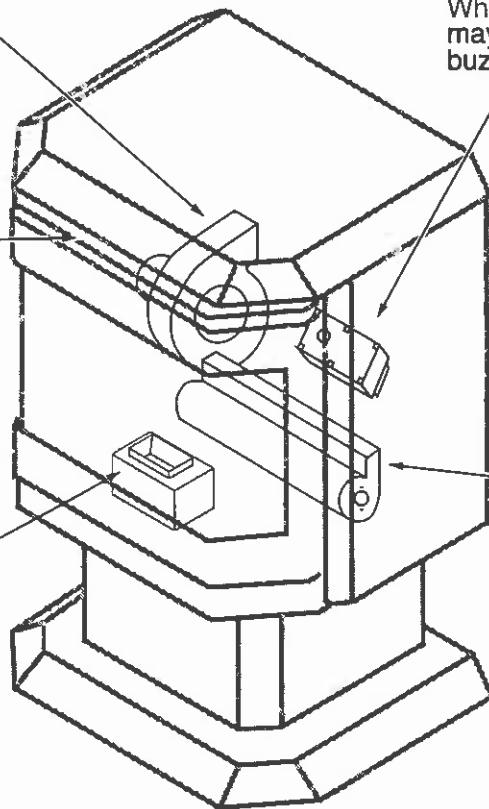
You may hear the heated air being forced through these tubes by the convection fan.

Convection Fan

The modern high efficiency fan may produce a low hum, particularly on "HIGH". This sound will change as the FAN dial is turned.

Firepot

As pellets are fed into the firepot, a light clicking sound may be heard.



WARNING - DO NOT REMOVE OR COVER THIS LABEL

Warnock Hersey



Listed Pelletized
Solid Fuel Burning Appliance
Also for Use in Mobile Homes
Model: Avanti-PS

Serial No: XXXXXXXXXX

Report No. 476-1407-00 (May, 1997)

Tested to: UL 1482/ULC S627/CSA B366.2/ASTM E 1509-95

Maximum Input Rating: 3.5 lbs (1.60kg)/hr

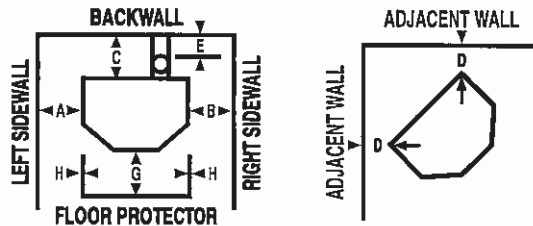
Electrical Rating: 115V, 60Hz, 3 Amp

This pellet fired appliance has been tested and listed for use in manufactured homes in accordance with Oregon Administrative Rules 814-23-900 through 814-23-909.

Install and use only in accordance with the manufacturer's installation and operating instructions. Contact local building or fire officials about restrictions and installation inspection in your area. Use only listed 3 in./75 mm or 4 in./100 mm diameter listed type "L" Vent complete with components. See manufacturer's installation instructions for precautions required for passing a vent through a combustible wall or ceiling. Do not connect this appliance to a vent serving another appliance.

Minimum Clearance to Combustible Materials (Measured to Stove Top)

	Interior Vertical Flue Installation	Horizontal Through the Wall Installation
Left Sidewall	A 9"	9"
Right Sidewall	B 9"	9"
Backwall	C **	3"
Corner	D 2"	2"
Flue Vent	E 3"	3"



Maximum alcove depth 48 in/1220 mm, min ceiling height 60 in/1525 mm.

Combustible floor must be protected by a non-combustible material, extending to the front (G) 6 in/150 mm and to the sides (H) 0 in/0 mm.

** This dimension will vary depending on brand of listed type "L" vent. See manual for details.

For use with 1/4 in/6 mm to 5/16 in/7 mm diameter pelletized wood fuels only.

Replace glass only with 5 mm ceramic glass.

Do not route power cord beneath heater. The space beneath the heater must not be obstructed. Outside combustion air is mandatory for mobile home installation. Do not obstruct combustion air openings. Operate only with viewing door and ash removal tray tightly closed. Keep all furnishings well away from heater.

Mfg. by TRAVIS INDUSTRIES, INC.
10850 117th Pl N.E.
Kirkland, WA 98033

AVALON™



CAUTION: HOT WHILE IN OPERATION. DO NOT TOUCH. CONTACT MAY CAUSE A CONSIDERABLE DISTANCE AWAY. SEE NAMEPLATE AND INSTRUCTIONS. DO NOT OVERFIRE. IF HEATER OR CHIMNEY CONNECTOR GLOWS, YOU ARE OVERFIRING. INSPECT AND CLEAN CHIMNEY AND CONNECTOR FREQUENTLY. UNDER CERTAIN CONDITIONS OF USE, CREOSOTE BUILDUP MAY OCCUR RAPIDLY. DO NOT OVERFIRE. IF UNIT SHUTS DOWN OFTEN YOU ARE OVERFIRING.

TYPE OF FUEL: PELLETIZED WOOD FUEL ONLY.

To register your TRAVIS INDUSTRIES, INC. Limited Lifetime Warranty, complete the enclosed warranty card and mail it within ten (10) days of the appliance purchase date to: TRAVIS INDUSTRIES, INC., 10850 117th Place N.E., Kirkland, Washington 98033. TRAVIS INDUSTRIES, INC. warrants to the original purchaser that the AVALON pellet appliance be defect-free in material and workmanship from the date of purchase as follows:

YEAR 1-COVERAGE: PARTS & LABOR -

1. Stove body, igniter, auger flight, auger tube, auger bearings, all other component parts & all accessories are covered for one year (ceramic glass, and cast brick panels are covered for thermal breakage only). Cost of any warranted component parts and labor to replace or repair warranted component parts are covered. The cost of the dealer service call or travel time is not covered. Paint & gasketing material are excluded from coverage.
2. One-way freight allowance on pre-authorized repair done at factory is covered.
3. In cases where stove must be removed from home for repairs, a partial cost of re-installation of stove is covered (pre-authorization required).

YEAR 2-COVERAGE: PARTS & LABOR -

1. Stove body, igniter, auger flight, auger tube, auger bearings and all other component parts are covered (ceramic glass, and cast brick panels are covered for thermal breakage only). Cost of any warranted component parts and labor to replace or repair warranted component parts are covered. The cost of the dealer service call or travel time is not covered. All accessories, electrical components, gold plating, paint & gasketing material are excluded from coverage.
2. One-way freight allowance on pre-authorized repair done at factory is covered.
3. In cases where stove must be removed from home for repairs, a partial cost of re-installation of stove is covered (pre-authorization required).
4. Any of the above excluded component parts may be purchased at 30% discount off suggested list price.
5. New or replacement accessories are not available at discount prices.

YEARS 3-5-COVERAGE: PARTS & LABOR -

1. Stove body, auger flight, auger tube and all other component parts are covered. Cost of any warranted component parts and labor to replace or repair warranted component parts are covered. The cost of the dealer service call or travel time is not covered. All accessories, igniter, electrical components, ceramic glass, cast brick panels, paint, and gasketing material are excluded from coverage.
2. Any of the above excluded component parts may be purchased at 30% discount off manufacturer's suggested list price (plus any shipping and handling charges from your local dealer).
3. New or replacement accessories are not available at discounted prices.
4. One-way freight allowance on pre-authorized repair done at factory is covered.
5. No re-installation coverage.

YEARS 6 & On COVERAGE:

1. The original purchaser can buy stove component parts at 30% discount off suggested retail (plus any shipping & handling charges from your local dealer) as long as you own the appliance (but a maximum of 5 years after Travis Industries discontinues the designated model).
2. The solid brass door is warranted to not warp, crack or peel for as long as you own the appliance. This warranty does not cover tarnishing of the brass finish. Overfiring or neglect can cause permanent discoloration not covered under warranty (See Owner's Manual for proper care).
3. The stainless steel "Forge" burn pot is warranted against "burn through" for as long as you own the unit (shipping and handling are not covered).
4. Auger tube and auger flight are warranted against defects in material or workmanship for as long as you own the unit.
5. New or replacement accessories not available at discounted prices.
6. No coverage on stove body, component parts or labor.
7. No freight allowances or re-installation coverage.

CONDITIONS & EXCLUSIONS

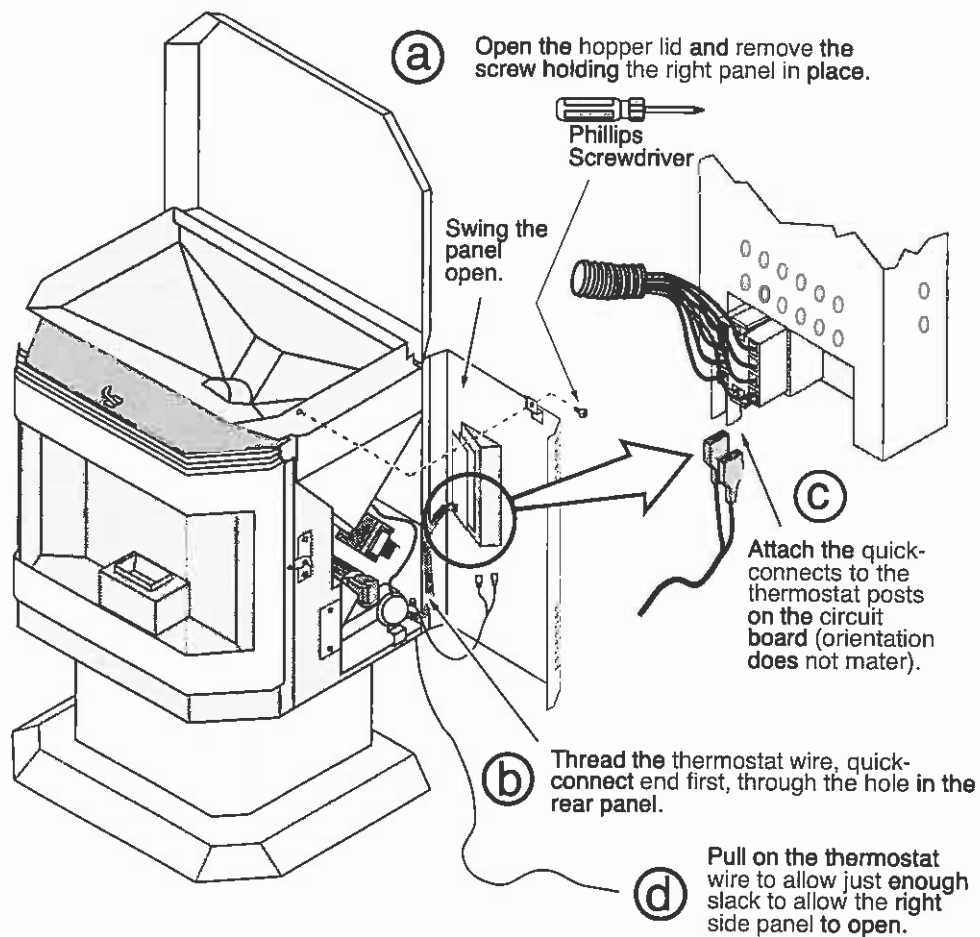
1. This new AVALON pellet appliance must be installed by a competent authorized service contractor. It must be installed and operated at all times in accordance with the installation and operation instructions spelled out in the Owner's Manual. Any alteration, willful abuse, accident, or misuse of the product shall nullify this warranty.
2. This warranty is nontransferable, and is made to the ORIGINAL purchaser, provided that the purchase was made through an authorized AVALON dealer.
3. Discoloration and some minor movement of certain parts is normal and not a defect and, therefore, not covered under warranty. Overfiring of this appliance can cause serious damage not covered under warranty and it is the responsibility of the installer to ensure that the appliance is burning as per rating tag at time of installation.
4. The warranty as outlined within this document does not apply to the chimney components or other non-Travis accessories used in conjunction with the installation of this product. If in doubt, contact your Authorized AVALON retailer before installation. Travis Industries will not be responsible for...
 - a. Down draft or smoke spillage caused by environmental conditions such as nearby trees, buildings, roof tops, hills or mountains.
 - b. Inadequate ventilation or negative air pressure caused by mechanical systems such as furnaces, fans, clothes dryers, etc.
5. Exclusions to this Limited Lifetime Warranty include: injury, loss of use, damage, failure to function due to accident, negligence, misuse, improper installation, alteration or adjustment of the manufacturer's settings of components, lack of proper and regular maintenance, damage incurred while the unit is in transit, alteration, or act of God.
6. This limited warranty excludes damage caused by normal wear and tear, such as paint discoloration or chipping, worn or torn gasketing, etc. Also excluded is damage to the unit caused by abuse, improper installation, modification of the unit or the use of fuel other than wood pellets. Damage to the gold plating caused by fingerprints, scratches, items melted to the face, or other external material left on the gold plating or from the use of abrasive cleaners is not covered in this warranty.
7. TRAVIS INDUSTRIES, INC. is free of liability for any damages caused by the appliance, as well as inconvenience expenses and material. Incidental or consequential damages are not covered by this warranty. In some states, the exclusion of incidental or consequential damage may not apply.
8. This warranty does not cover any loss or damage incurred by the use or removal of any component or apparatus to or from the AVALON pellet appliance without the express written permission of TRAVIS INDUSTRIES, INC. and bearing a TRAVIS INDUSTRIES, INC. label of approval.
9. Any statement or representation of AVALON products and their performance contained in AVALON advertising, packaging literature, or printed material is not part of this limited warranty.
10. This warranty is automatically voided if the appliance's serial number has been removed or altered in any way. Only the original purchaser of An Avalon appliance is covered by this warranty. If the appliance is used for commercial purposes, it is excluded from this warranty.
11. No dealer, distributor, or similar person has the authority to represent or warrant AVALON products beyond the terms contained within this warranty. TRAVIS INDUSTRIES, INC. assumes no liability for such warranties or representations.
12. THIS LIMITED LIFETIME WARRANTY IS THE ONLY WARRANTY SUPPLIED BY TRAVIS INDUSTRIES, INC., THE MANUFACTURER OF THE APPLIANCES. ALL OTHER WARRANTIES, WHETHER EXPRESS OR IMPLIED, ARE HEREBY EXPRESSLY DISCLAIMED AND PURCHASER'S RECOURSE IS EXPRESSLY LIMITED TO THE WARRANTIES SET FORTH HEREIN.

IF WARRANTY SERVICE IS NEEDED...

1. If you discover a problem that you believe is covered by this warranty, you MUST REPORT it to your AVALON dealer WITHIN 30 DAYS, giving them proof of purchase, the purchase date, and the model name and serial number.
2. Travis Industries has the option of either repairing or replacing the defective component.
3. If your dealer is unable to repair your appliance's defect, he may process a warranty claim through TRAVIS INDUSTRIES, INC., including the name of the dealership where you purchased the appliance, a copy of your receipt showing the date of the appliance's purchase, and the serial number on your appliance. At that time, you will be asked to ship your appliance, freight charges prepaid, to TRAVIS INDUSTRIES, INC. TRAVIS INDUSTRIES, INC., at its option, will repair or replace, free of charge, your Avalon appliance if it is found to be defective in material or workmanship within the time frame stated within this limited warranty. TRAVIS INDUSTRIES, INC. will ship your appliance, freight charges (first five years) prepaid by TRAVIS INDUSTRIES, INC., to your regional distributor, or dealership.
4. Check with your dealer in advance for any costs to you, when arranging a warranty call. Dealers may require you to pay a service or trip charges for any warranty work. This charge can vary from store to store.

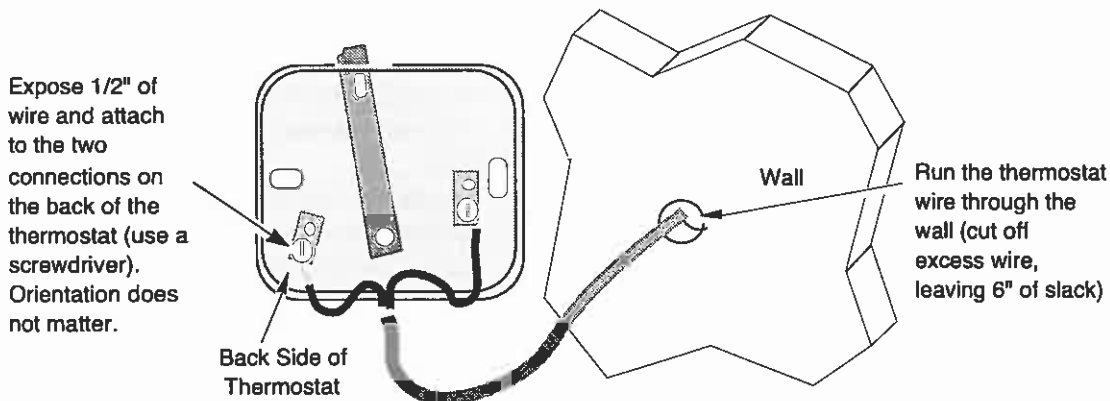
Thermostat (Part # 99300650)

- ! Do not connect 120 VAC to the thermostat circuit of this heater (do not use a household thermostat used for a wall-board or other electrical heater).
- 1 Attach the thermostat wire to the circuit board.

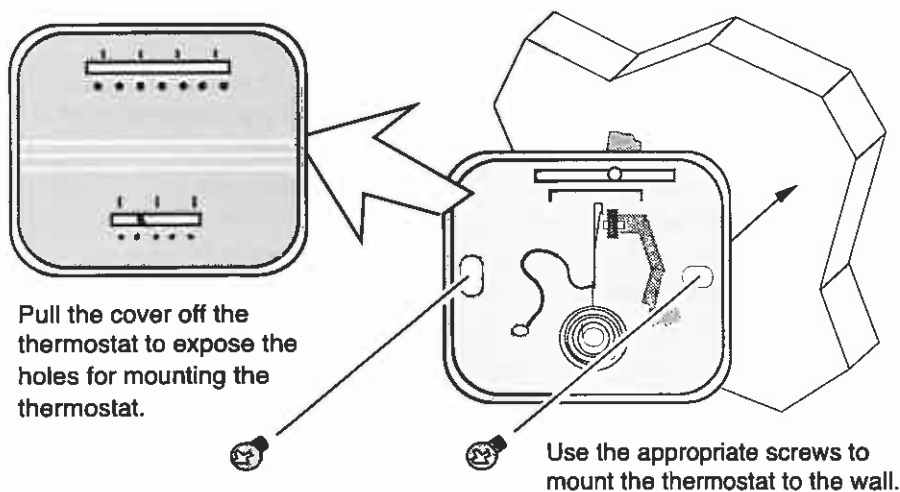


- 2 Determine a location for the thermostat that is within range of the 50' length of thermostat wire. It should be centralized in the room and away from the heater. The wire may be routed externally on the wall or behind the wall (preferred).

- 3 Cut the thermostat wire so there is approximately 6" of slack. Expose 1/2" off each wire of the thermostat wire. Attach the exposed wire to the clips on the back of the thermostat using a screwdriver.



- 4 Pull the cover off the thermostat. Place the thermostat in location and attach it to the wall through the two obround holes (use the appropriate screws for the type of wall it is being attached to). Replace the cover on the thermostat to complete the installation.



Remote Thermostat

- Follow the instructions included with the remote thermostat for installation.

Using the Remote Thermostat

The remote thermostat has a 1 to 2 minute lag time between the time the thermostat is turned up and the heater turns on. Included with the remote thermostat is a set of instructions that details the operating characteristics of this optional component.

Adjusting the Fan Speed.....	20	Glass Removal.....	30
Air Leaks.....	30	Gold (cleaning).....	24
Alcove Installation Requirements.....	11	Hearth (Floor Protection Requirements).....	6
Ashpan (Opening and Disposing Ashes).....	27	Hearth Fireplace.....	15
AUGER ON Light.....	20	Heat Exchange Tubes (cleaning).....	24
Auto Mode.....	19	Heating Specifications.....	5
Bi-Weekly Maintenance (or every 10 bags pellets).....	24	Hopper Cleaning (Vacuum Hopper).....	24
Blower (Exhaust Blower Cleaning).....	29	Important Information.....	1
Blower Speed Adjustment.....	20	Index.....	34
Cap (Pellet Vent Termination).....	9	Installation Options.....	6
Check for Air Leaks - Door, Glass and Ashpan.....	30	Installation Warnings (Before you Begin).....	6
Chimney Retrofit (wood stove).....	14	Interior Vertical Vent Installation.....	13
Clean the Exhaust Blower.....	29	Introduction.....	1
Clean the Exhaust Duct.....	28	Listing Label.....	32
Clean the Glass.....	27	Loading Pellets.....	17
Clean the Heat Exchange Tubes.....	24	Manual Mode.....	18
Clean the Vent.....	29	Masonry Fireplace.....	15
Cleaning Ashpan (Opening and Disposing Ashes).....	27	Mobile Home Requirements.....	10
Cleaning the Firebox (Sweep Ash Into Ashpan).....	26	Modes of Operation.....	17
Cleaning the Firepot.....	23	Noise (Normal Operating Sounds).....	31
Cleaning the Hopper (Vacuum Hopper).....	24	Normal Operating Sounds.....	31
Clearances - Corner Installation.....	7	Opening the Door.....	25
Clearances - Straight Installation.....	7	Outside Air.....	10
Clinkers (Check Firepot for Clinkers).....	23	Pellet Vent Termination.....	9
Controls.....	16	Pellets (Fuel).....	5
Curing the Paint.....	16	Pellets (loading).....	17
Daily Maintenance (whenever using the stove).....	22	Pellets Piling Up.....	22
Dimensions.....	5	Placing the Stove.....	6
Direct "Through the Wall" Installation.....	12	Planning the Installation.....	6
Door (cleaning the gold).....	24	Power Outages.....	21
Door (Opening).....	25	Priming the Auger.....	16
Door Gasket (inspection, removal).....	30	Remote Thermostat.....	35
Electrical Specifications.....	5	Restrictor.....	11
Emissions (EPA Compliance).....	5	Safety Label.....	32
EPA Compliance.....	5	Safety Precautions.....	2, 3
Exhaust Blower (Cleaning).....	29	Serial Number Label.....	32
Exhaust Duct (Cleaning).....	28	Smell in Home (Starting Heater for the First Time).....	16
Fan (Adjusting the Fan Speed).....	20	Start-Up Sequence.....	20
FAULT Light.....	21	Stove Placement.....	6
Firebox (Cleaning).....	26	Thermostat Operation (Auto Mode).....	19
Fireplace Installation.....	15	Type A Chimney Retrofit.....	14
Firepot Cleaning.....	23	Vent (Cleaning).....	29
Firepot Inspection (Inspect the Burn).....	22	Vent Type.....	9
Flames (Inspect the Burn).....	22	Venting Distance.....	8
Floor Protection Requirements.....	6	Venting the Pellet Stove.....	8
Fuel.....	5	Warnings.....	2, 3
Gasket (door, glass - inspection & removal).....	30	Warranty.....	33
Glass (Cleaning).....	27	Yearly Maintenance (or every two tons).....	28
		Zero-Clearance (metal) Fireplace.....	15