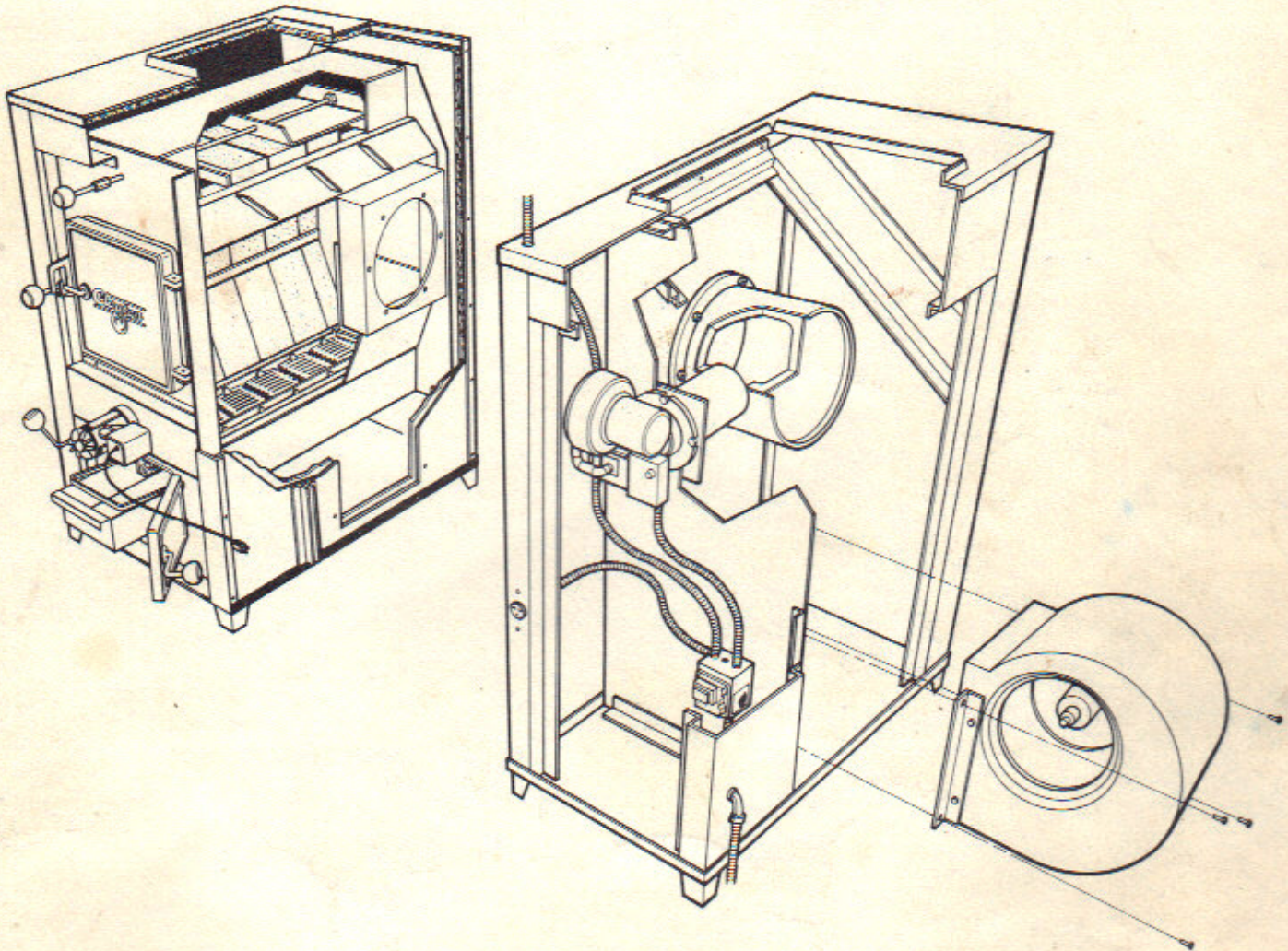


October 16, 1987

Clayton MULTIFUEL FURNACE



Installation / Operator's Manual



FOR YOUR SAFETY

Do not store or use gasoline or other flammable vapors and liquids in the vicinity of this or any other appliance.

If you smell gas:

1. Open windows.
2. Don't touch electrical switches.
3. Extinguish any open flame.
4. Immediately call your gas supplier.

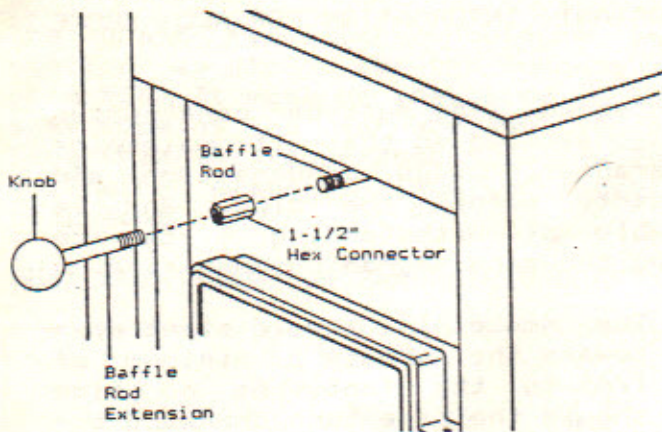
CAUTION:

Read Rules for
Safe Operation
& Instructions
CAREFULLY

IMPORTANT:

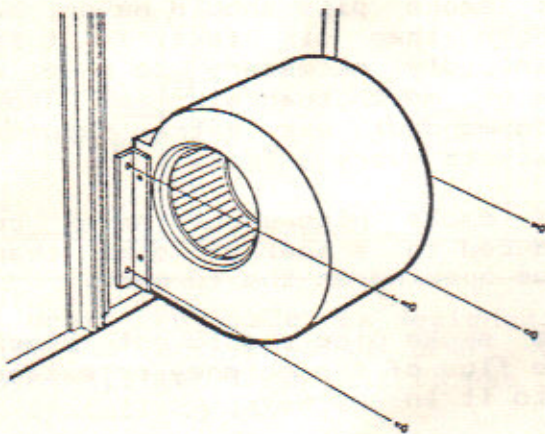
Installation must be made in accordance with State and local ordinances which may differ from this installation manual.

ATTACHING BAFFLE ROD EXTENSION



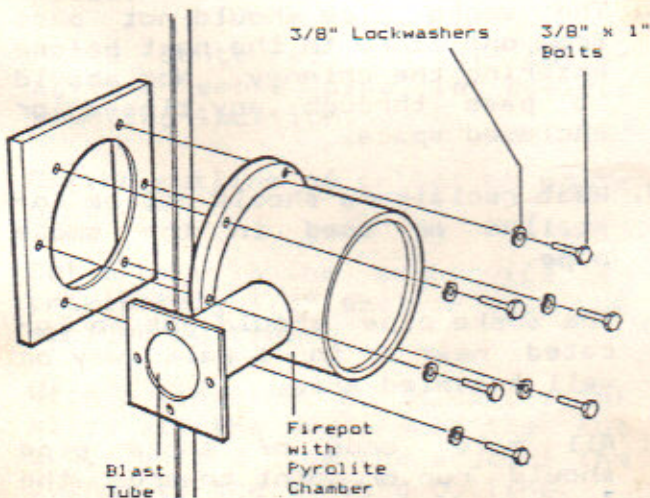
INSTALLING DISTRIBUTION BLOWER

1. Using four #12 x 3/4" sheet metal screws provided, screw distribution blower onto side of furnace.



FIREPOT INSTALLATION

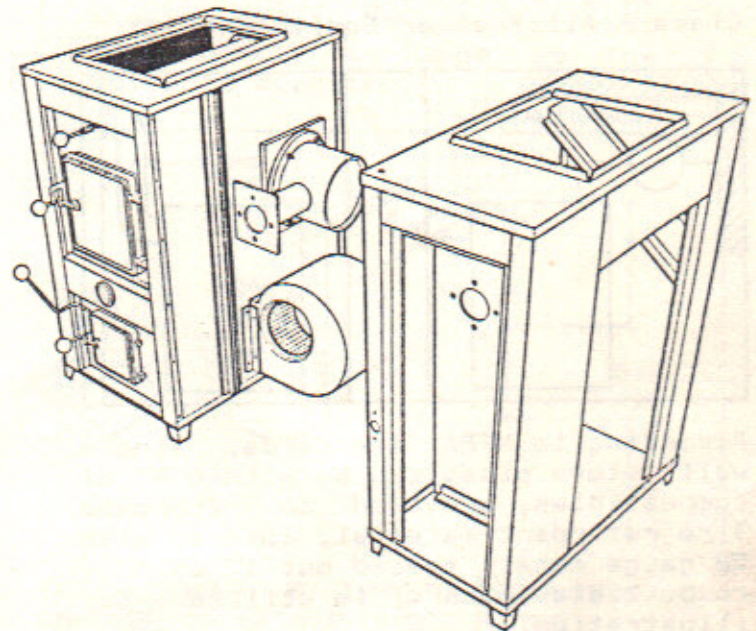
1. Be sure pyrolite chamber is seated in firepot and that hole is aligned with blast tube.
2. Attach firepot to mounting frame and secure with six 3/8" bolts and lockwashers.



ASSEMBLING FURNACE SECTIONS

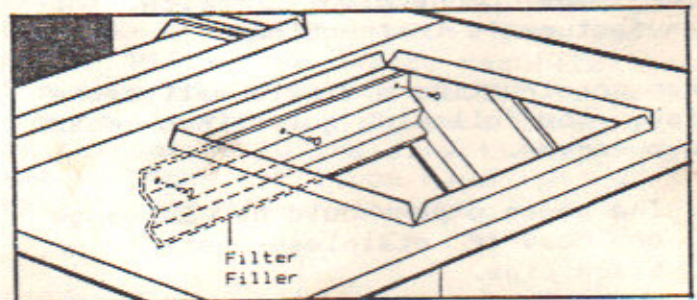
Slide air chamber section against solid fuel section and secure with twenty 1/4" x 3/4" bolts.

Check to see that furnace is level.



INSTALLING FILTER FILLER

Place filter filler between left and right filter brackets and attach to side of solid fuel section with three #8 tek screws.



SMOKE PIPE INSTALLATION (NOT SUPPLIED)

Clearances to combustible materials (i.e. paneling, ceiling tile, sheet rock, plaster, draperies, casements or wood trim, etc.) will vary with the type of flue connection used. Be sure to maintain the specified clearances for your type of installation.