



# PRODUCT SPECIFICATIONS B36LA/B36RA RADIANT WOOD BURNING



**B36LA**

## INTERIOR DIMENSIONS

- Front opening width - 36"
- Front opening height- 22-11/16"
- Rear Wall Width - 17"
- Firebox Depth - 22-1/2"

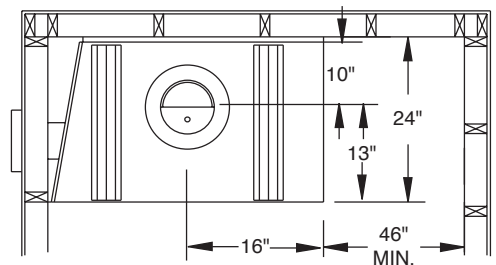
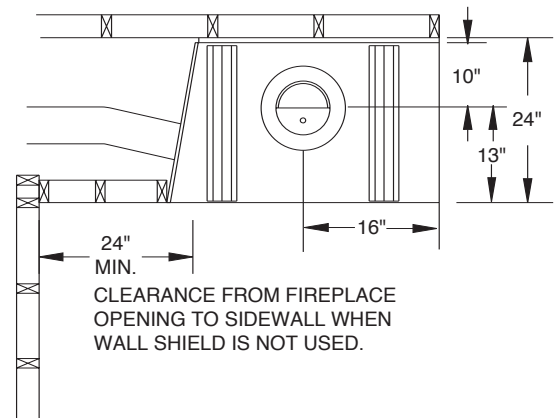
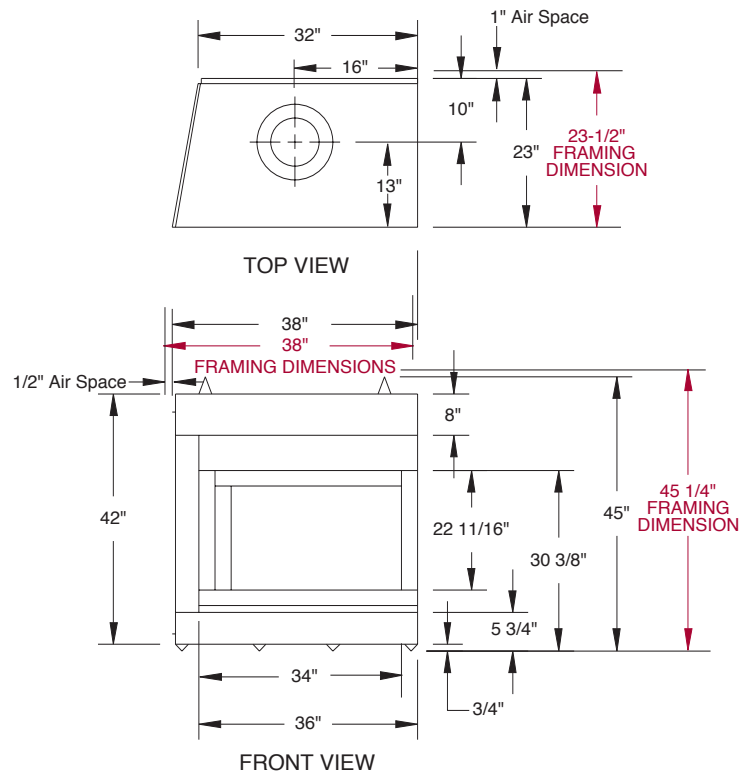
## TECHNICAL INFORMATION

- Flue Series (Std.) - "S" Series Double Wall
- Flue Size - 8" Inner; 11" Outer
- Clearance on Flue - 2"
- Firestop Framing\*\* - 14-1/2" x 14-1/2"
- Minimum Flue Height - 13'
- Maximum Flue Height - 86'
- Minimum Height with 2 Elbows - 13' 8"
- Minimum Height with 4 Elbows - 21'
- Clearance on Fireplace - 1" (Back) 1/2" (Side)
- Minimum Hearth Size - 16"
- UL Design Certified

\*\* Clearance reduces to 1-3/4"

## FIELD INSTALLED ACCESSORIES

- Glass Door - WB36LR (Required and Sold Separately)
- Outside Air Kit - AK4, FP4U, 403
- Terminations (Std.) - "S" Series SC, SCL, CF8, SQ8, LFSQT, SPC



Framing dimensions in illustrations accommodate 1/2" finishing material.

To avoid personal injury or property damage, the product described by this brochure must be installed, operated and maintained in strict compliance with the instructions packaged with the product and all applicable building or fire codes. Contact local building or fire officials about restrictions and installation inspection requirements. All photographs and drawings on this brochure are for illustrative purposes only and are not intended for, nor should they be used as a substitute for the instructions packaged with the unit. Appearance and specifications of the product are subject to change without notice. 6/05