



AUSTROFLAMM
Heating The Way

By **RIKA**



INTEGRA II
PELLET STOVE INSERT EPA Certified

Customize with color to add an element of design to your home.

AUSTROFLAMM PELLET STOVES
"For Those Who Want The Very Best"



Rika/Austroflamm Integra II

TOMORROW'S TECHNOLOGY TODAY . . .

More Warmth—Less Fuel

Wood pellets, packaged in easy to handle bags, are now available almost everywhere.

Hopper Size

The Austroflamm Integra II Insert pellet stove offers a hopper size of 99 lbs. of fuel capacity.

Quality

As in the past, the Austroflamm Integra II pellet stove uses quality components throughout. Austroflamm is viewed as the most efficient and 'whisper' quiet operating pellet stove on the market today!

Warranty

ALL Austroflamm products are backed by a two-year warranty with an option to extend the warranty to five years through the selling dealer.

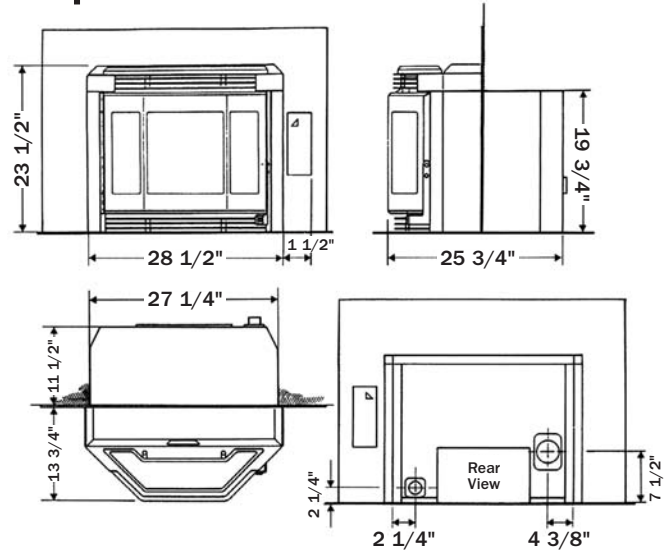
With an Austroflamm Integra II, there is so much more to enjoy:

- European Motor Quality
- Patented Air Sensor Technology
- Built-in 7 Day Program
- Safety Feature Hopper/Auger Shutoff
- 99 lb. Hopper Capacity
- Custom Colors and Finishes (Powder Coated)
- EPA Certified Pellet Stoves
- **'Whisper' Quiet Operation**
- Hourly Self-Cleaning Burn Pot
- Unique Stainless Steel Heat Exchange System Isolated From Direct Flame
- Fully Automatic Operating System
- 9,000 to 44,000 BTU's Heats Up To 2,500 sq. ft.
- 0-Clearance Installation (new construction or remodel) Inserts ONLY

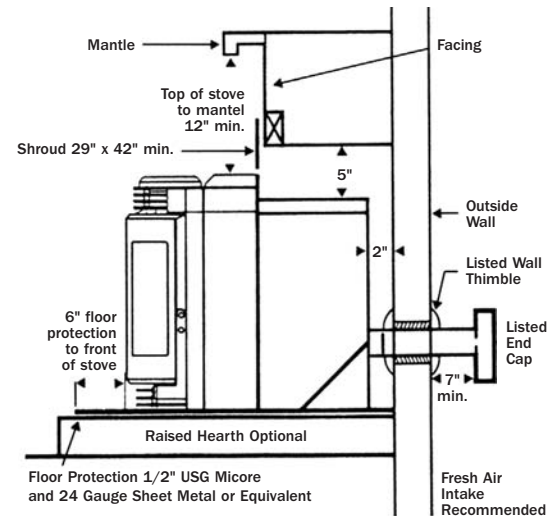
Minimum Fireplace Dimensions Required

Height - 20"
Width - 29"
Depth - 16"

specifications

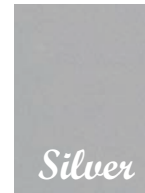
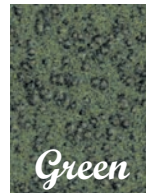


clearance to combustibles



You pick the color and Austroflamm will add the warmth and ambiance to your home. Additional colors available. Special Order ONLY, Non-returnable.

Due to limitations in the printing process, it is impossible to reproduce the exact color. Please see your dealer for actual color samples.



Your Rika/Austroflamm Dealer:

In the interest of constant product development and improving our product, we reserve the right to change specifications without prior notice. Before installation, please read INSTALLATION INSTRUCTIONS and check all local building codes.

