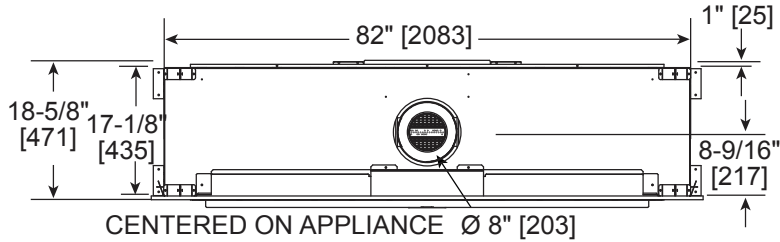




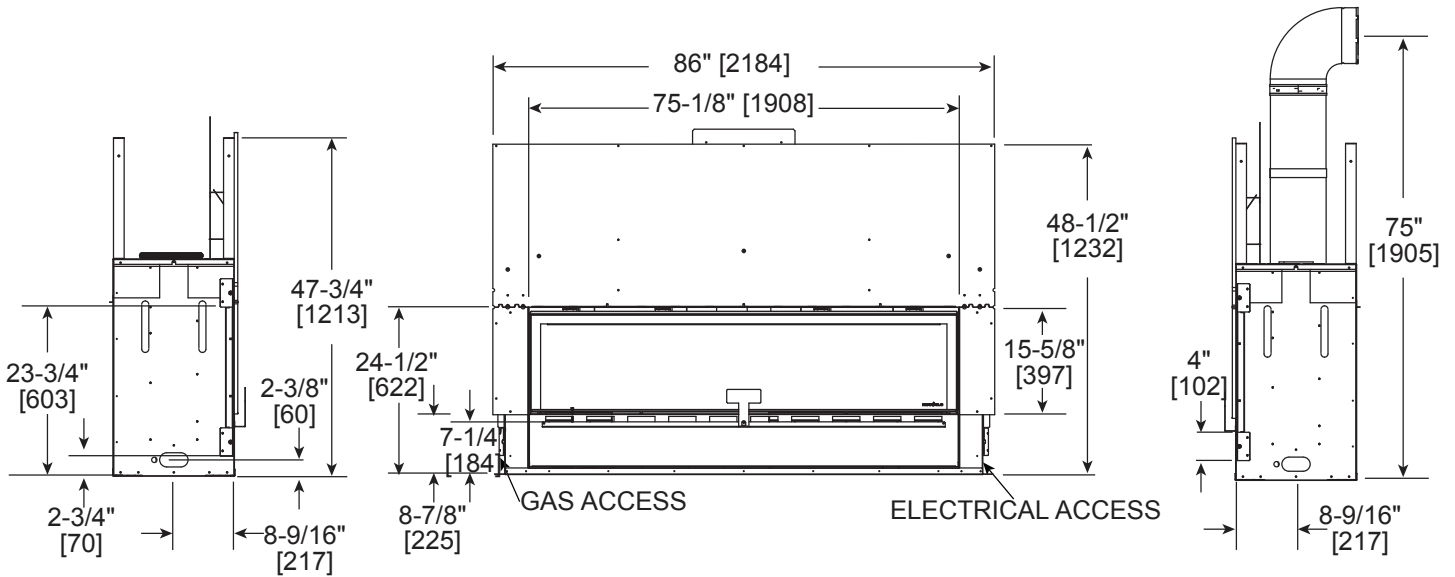
Please consult the manufacturer's installation manual for all details and requirements before making a final design layout decision.

**MEZZO72**  
72" Direct Vent Gas Fireplace

MODEL	FRONT WIDTH		BACK WIDTH		HEIGHT		DEPTH		GLASS SIZE
	Actual	Framing	Actual	Framing	Actual	Framing	Actual	Framing	
MEZZO72	82	84-1/4	82	84-1/4	47-3/4	48	17-1/8	18-1/4	71-1/2 x 12-1/2



Top

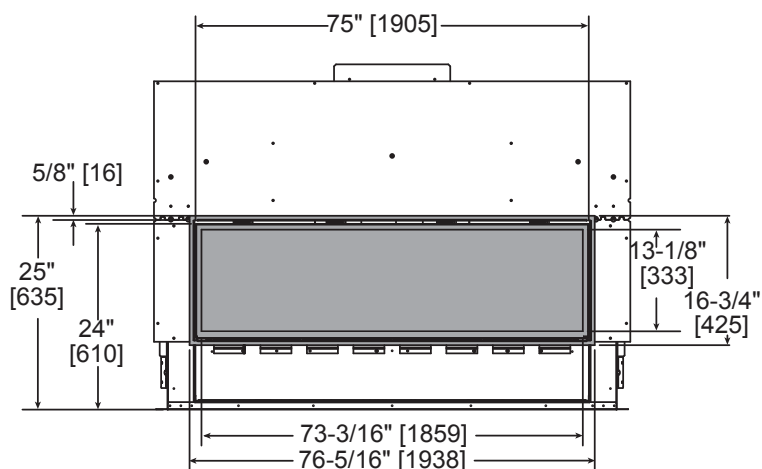


Left

Front

Right

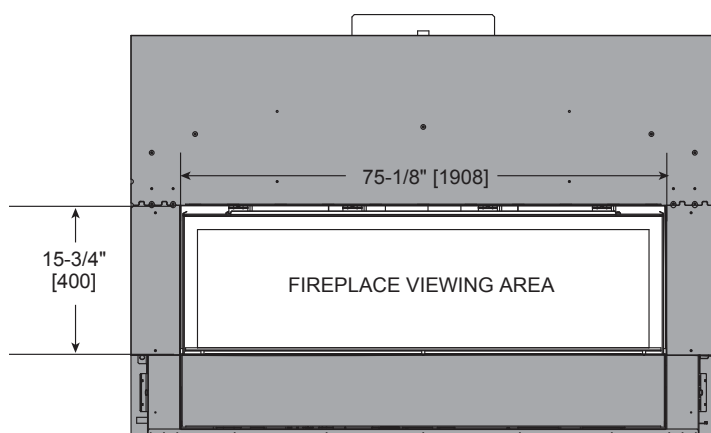
## FRONT DIMENSIONS



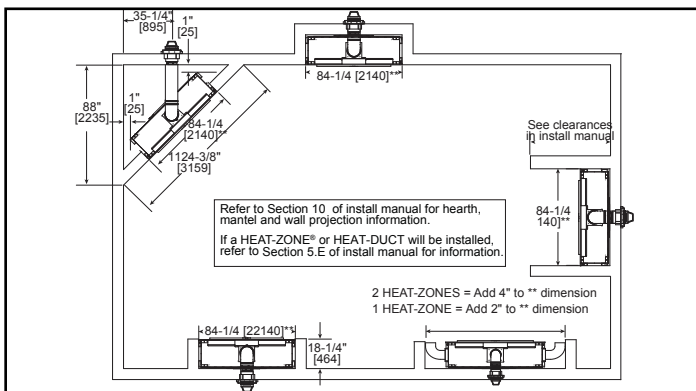
## Clean Face Trim

- Rectangular holes on bottom of access panel should be covered.
- Approved for 0"-4" finishing material on inside fit method
- If finishing materials are 0-1" thick, the outer trim ring should be adjusted out so that the trim ring overlaps the finishing material. This is intended to provide the cleanest look.
- If finishing materials are 1-4" thick, install the trim ring all the way in and place finishing material over the trim ring.

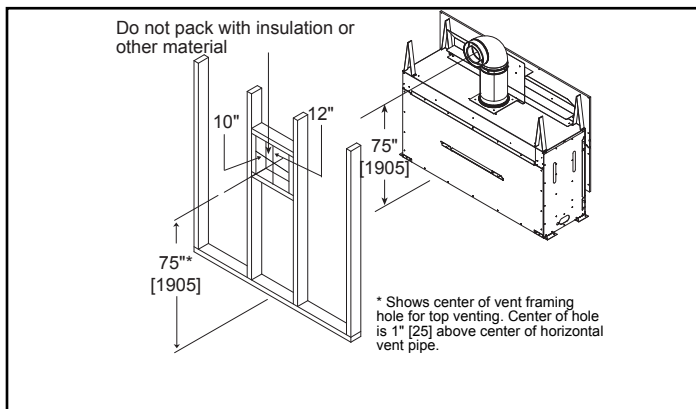
## FINISHED OPENING DIMENSIONS

Inside Fit Method  
(Clean Face Trim)

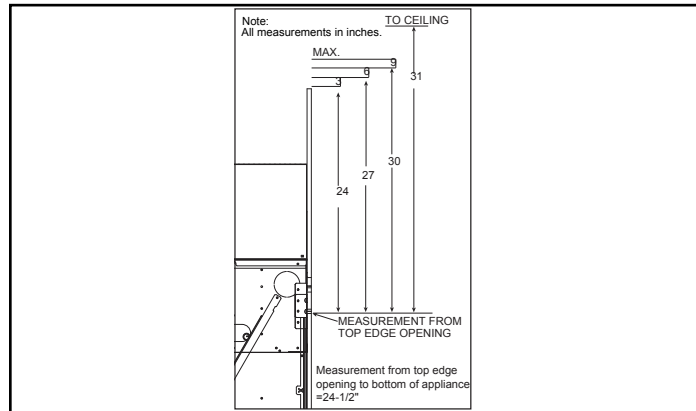
**APPLIANCE LOCATION**



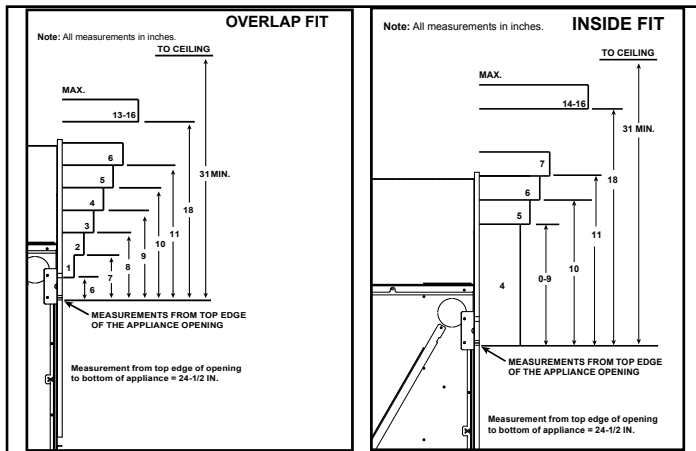
**WALL PENETRATION**



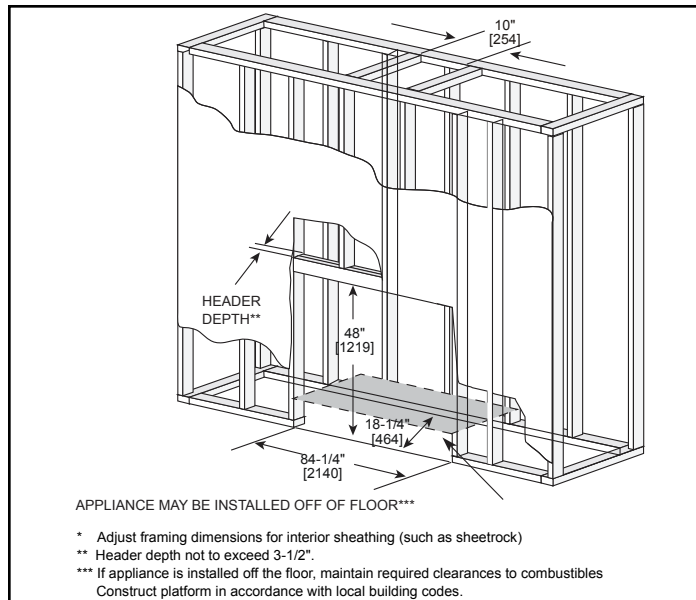
**MANTEL PROJECTIONS - COMBUSTIBLE**



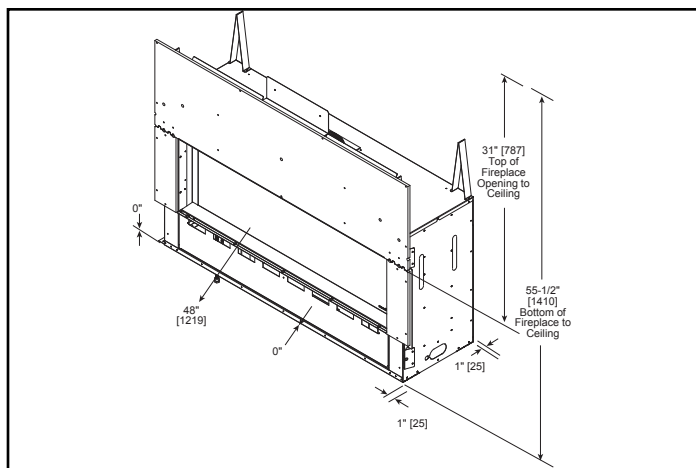
**MANTEL PROJECTIONS - NON-COMBUSTIBLE**



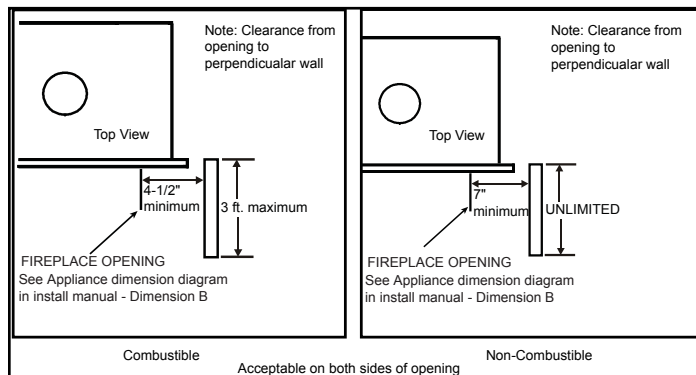
**FRAMING DIMENSION**



**CLEARANCES TO COMBUSTIBLES**



**MANTEL LEG/WALL PROJECTIONS**



PRODUCT LISTING CODES	
US	ANSI Z21.88-2014
CAN	CSA 2.33-2014
	UL307B

Product information provided is not complete and is subject to change without notice. Product installation must adhere strictly to instructions accompanying product to avoid risk of fire and potential injury.

Additional information can be found online at [www.heatnglo.com](http://www.heatnglo.com)