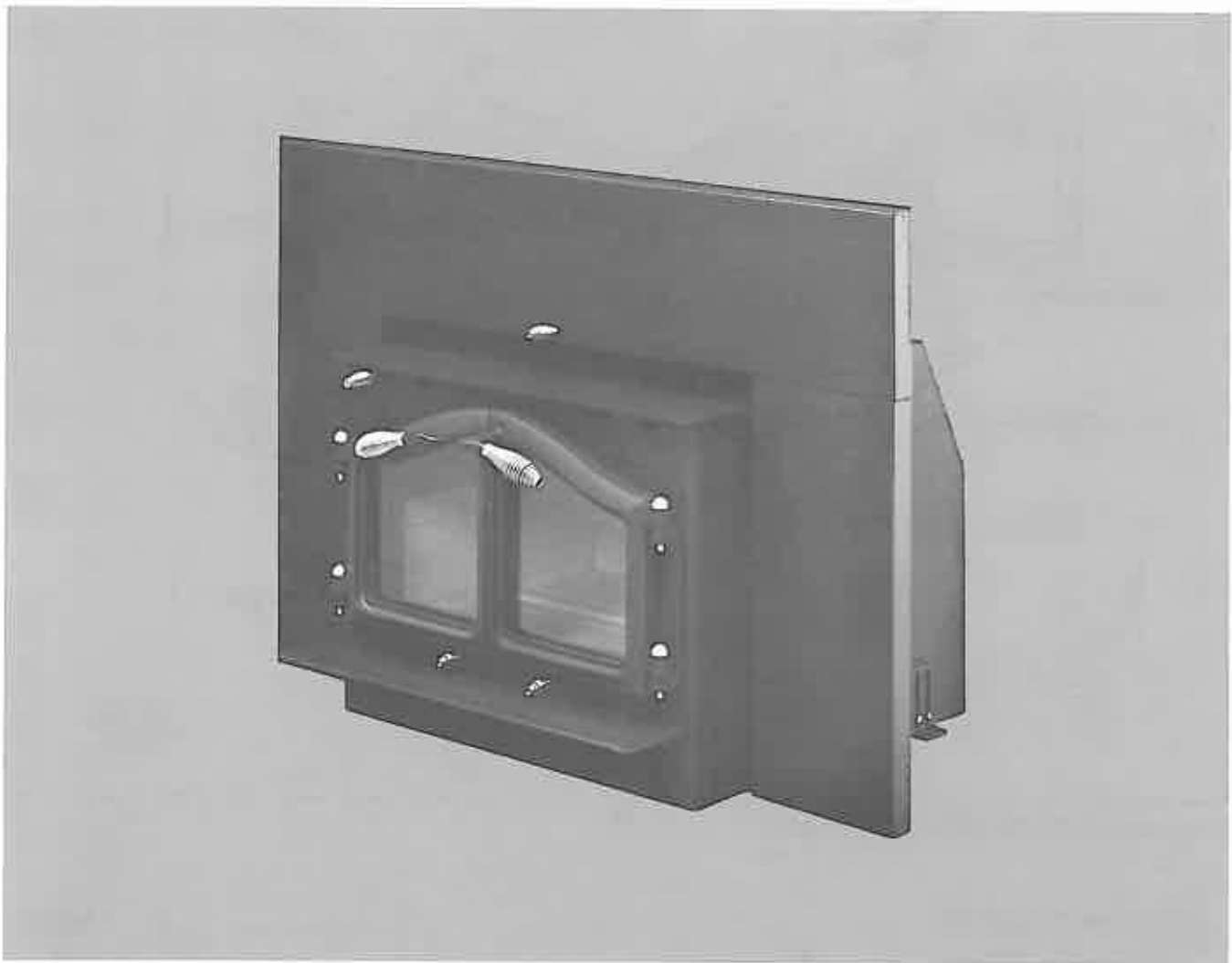


INSTALLATION INSTRUCTIONS AND OWNER'S MANUAL

for the **MAJESTIC**.

Heat Circulating Fireplace Inserts
MODELS: MI 1200, MI 1500, MI 2200



IMPORTANT: Read instructions carefully before starting installation. Failure to follow these installation instructions as detailed may result in a possible fire hazard as well as cancel the MAJESTIC warranty.

Save this manual for future reference.

MAJESTIC
An American-Standard Company

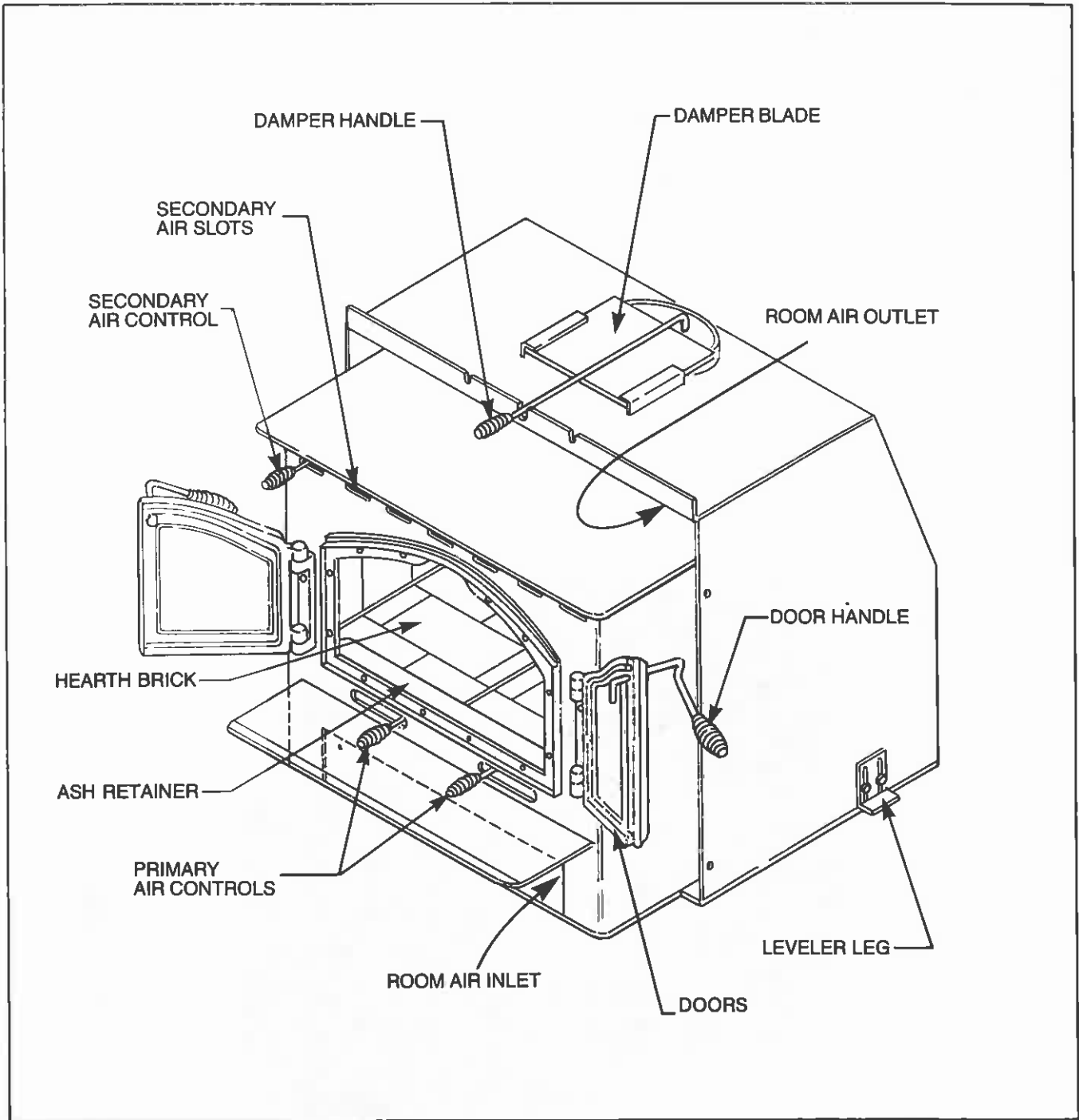


FIG 1. Parts of the Majestic MI Series Inserts.

TABLE OF CONTENTS

	Page
Identification of Parts	2
Installation Precautions	3
Pre Installation Requirements	3
Installation Instructions	5
Reference Data	9
Accessory Parts	10

INSTALLATION PRECAUTIONS

The MAJESTIC Fireplace Inserts and their components are tested and safe when installed in accordance with this Installation Manual. Read all instructions before starting installation, then follow these instructions carefully during installation to insure maximum benefits and fireplace safety.

The MAJESTIC warranty will be voided by, and MAJESTIC disclaims any responsibility for, the following actions:

- modification of the fireplace, Insert assembly or any of the component parts thereof;
- Installation other than as instructed by MAJESTIC; or
- Installation and/or use of any component part not manufactured or approved by MAJESTIC in combination or assembly with a MAJESTIC fireplace insert system, notwithstanding any independent testing laboratory or other third party approval of such component part or accessory.

Any such action may possibly cause a fire hazard.

Consult your local building codes.

The fireplace and chimney system must be vented out-of-doors. **THE MAJESTIC FIREPLACE INSERTS MI1500 AND MI2200 ARE DESIGNED FOR MASONRY FIREPLACE INSTALLATION ONLY. THE MI1200 IS DESIGNED FOR MASONRY OR FOR THE FOLLOWING (AND ONLY THE FOLLOWING) MAJESTIC FACTORY-BUILT FIREPLACES: MODELS L36, L36A, L36B, M36, MD36, M36-AO, MD36-AO, L42, L42A, L42B, M42, MD42, MD42-AO. THE MI1200 FIREPLACE INSERT HAS NOT BEEN DESIGNED AND IS NOT RECOMMENDED FOR INSTALLATION IN ANY OTHER FACTORY-BUILT FIREPLACE, EVEN OTHERS OF MAJESTIC'S MANUFACTURE; ANY SUCH INSTALLATION WILL VOID THE MAJESTIC WARRANTY AND CREATE A POSSIBLE FIRE HAZARD. FOR INSTALLATION OF THE MI1200 FIREPLACE INSERT IN ONE OF THE MAJESTIC FACTORY-BUILT FIREPLACES LISTED ABOVE, SEE INSTRUCTIONS WITH MAJESTIC MSP-36 OR MSP-42 SURROUND TRIM PANELS.**

Your Masonry Fireplace and Chimney System should comply with the requirements of the standard for chimneys, fireplaces, vents, and solid fuel burning appliances, NFPA No. 211, or applicable local building codes. Before the Majestic insert is installed verify that your system does comply to all existing codes. Failure to do so may result in creating a hazardous condition in your installation.

Your chimney must be of sound construction, including a tile or metal liner, with no cracks or breaks. The flue must be clean and free of any obstructions. If you have any question as to the condition of your flue, have it inspected and/or cleaned by a qualified Chimney Sweep.

Flue gas area of the masonry chimney shall not be less than 50 sq. inches.

Prior to first firing, read Operating Instructions, Section II. Page 7.

SECTION I.

A. Pre-Installation Requirements.

□ A-1. CHECK DIMENSIONS.

Check the dimensions of your present fireplace. Refer to Fig. 2 for minimum and maximum dimensions that are required.

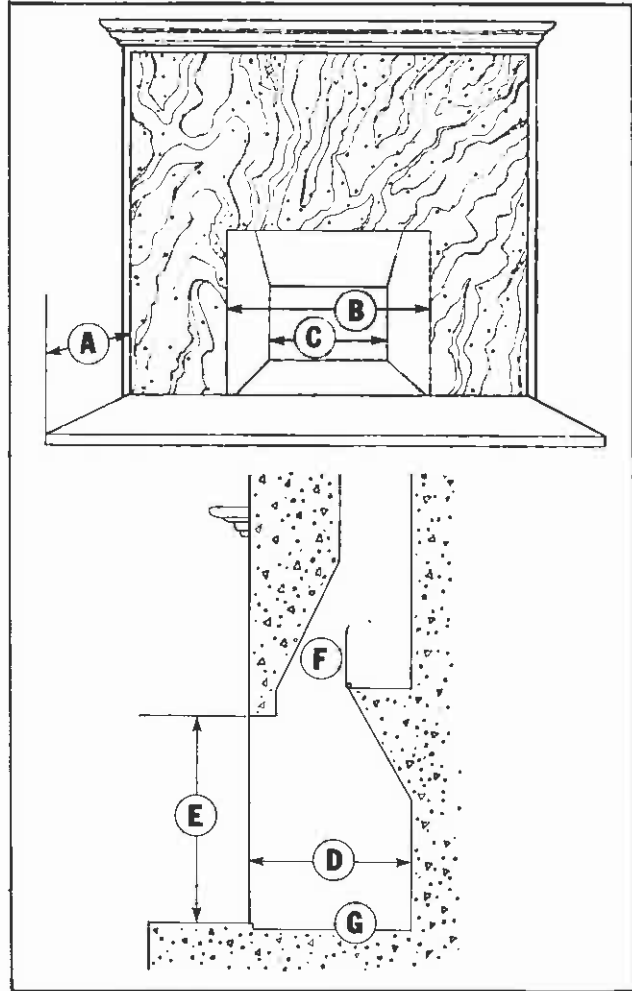


Fig. 2. Required masonry fireplace dimension for insert installation.

	YOUR FIREPLACE DIMENSIONS	MINIMUM DIMENSIONS		
		MI 1200	MI 1500	MI 2200
A. Extension of Hearth*		26½"	26½"	34"
B. Width of Fireplace (Front)		27½" Min. 42" Max.	28" Min. 46" Max.	28" Min. 46" Max.
C. Width of Fireplace (Back)**		27½"	28"	28"
D. Depth of Fireplace (Bottom)		17¾"	17¾"	17¾"
E. Height of Fireplace Opening		22½" Min. 29¼" Max.	22½" Min. 29¼" Max.	22½" Min. 29¼" Max.
F. Fireplace Damper—	Before installing insert, be sure to remove or firmly secure damper open.			
G. Dropped Floor—	All inserts have adjustable leveling legs to allow for depth compensation.			

NOTE:

*All fireplace Inserts require at least 21½" of hearth extending beyond the stove loading doors. If you require additional hearth extension to your existing hearth, contact your local woodstore dealer. He will be happy to find the correct hearth extension for your particular fireplace.

**May require removal of leveler legs.

**A-2. HEARTH EXTENSION REQUIREMENTS.
MASONRY INSTALLATIONS**

You must have a masonry or non-combustible hearth that extends a minimum of 21 $\frac{1}{8}$ " in front of the insert when installed, and a minimum of 8" on each side.

Two layers of 3/8" thick millboard** or two (2) floor protectors Listed by Underwriters Laboratories, Inc. for the MI 2200 and one layer of 3/8" thick millboard or one Listed floor protector for the MI 1200 and MI 1500 may be used to protect the floor. Millboard should be covered with 24 gauge steel or other non-combustible, rigid material.

**Millboard is considered to be a semi-rigid, non-combustible, material that demonstrates a thermal resistance (R) of 1.15 per inch or greater. Compressibility of material should not exceed 10% when loaded to 100 pounds per square inch. These components may be covered with decorative, non-combustible materials. Contact Majestic Company, Customer Service, Huntington, Indiana, 46750, for equivalent hearth extension designs.

A-3. CHECK CLEARANCES TO COMBUSTIBLE MANTLE AND TO COMBUSTIBLE WALLS.

Do not install a combustible mantel or other combustible projection less than 37 inches above the top of the insert for the MI 2200, or 28 inches for the MI 1500 & MI 1200. With mantle shield installed, the minimum mantle height for the MI 2200 can be reduced to 28". (See Fig. 3).

- A. A perpendicular unprotected combustible side wall can not be located within 36" of the side edge of the fireplace opening when installing an MI-Series insert.
- B. Do not install combustible trim within 13 $\frac{1}{2}$ " of the sides of any MI-Series insert or within 25" of the top of the MI 1200 or MI 1500 or within 30 $\frac{1}{2}$ " of the top of the MI 2200. The combustible trim may be installed within 25" of the MI 2200 with mantle shield.

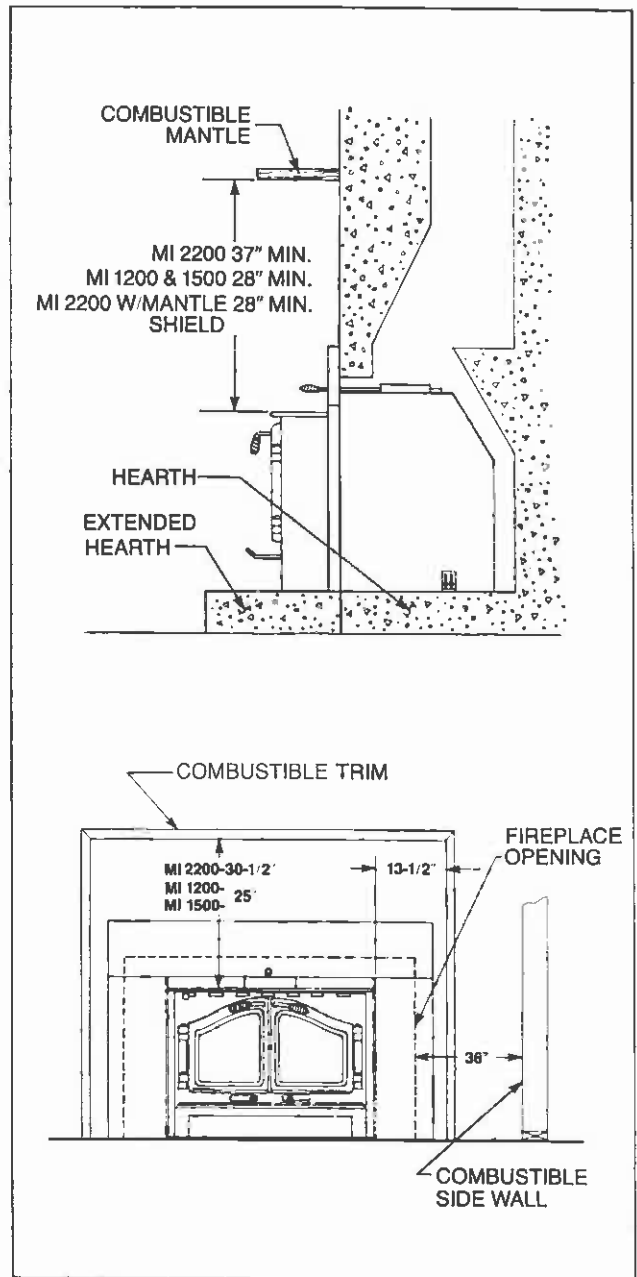


Fig. 3. Minimum clearances to combustible materials.

SECTION II.

B. Installation Instructions for Use in Masonry Fireplaces.

B-1. PREPARE FIREPLACE FOR INSERT INSTALLATION.

The Masonry fireplace Damper should be removed if possible, or locked open prior to installation of insert. Screens, Glass Enclosure, and Gas Log Lighter must be removed if presently installed in the fireplace.

CAUTION: Removal of gas line should be done by qualified person.

B-2. REMOVE CONTENTS OF CARTON.

Remove insert and hardware bag from carton. Retain carton for use later in this installation.

Examine insert and assure that hearth bricks are pushed completely back against the interior walls of the insert. The smoke baffle inside the combustion chamber should be in place on its support brackets.

B-3. ASSEMBLE HARDWARE ON UNIT.

A. Remove contents from hardware bag. The 2 rear leg levelers and lower air diverter should be installed on the unit at this time.

B. Attach leg levelers to the lower rear sides with 2 hex head bolts, 2 flat washers and 2 lock washers each. (See Fig. 4). Slide leg levelers to full upward position and tighten bolts.

B-4. POSITION INSERT ON HEARTH EXTENSION.

Installation of your insert will require at least 2 people to move it safely. Do not install doors on unit until it has been completely installed. Place a protective covering or piece of cardboard on the hearth extension of the fireplace to protect it during the installation. The MI Series carton may be used.

If fireplace hearth is lower than the hearth extension, adjust rear leg levelers the required amount. This can be accomplished by tilting the insert forward and loosening the leg leveler bolts. Adjust the levelers to the proper height and retighten bolts.

Position the insert on the hearth extension and center it with the fireplace opening. The insert is now ready for installation of the surround panels.

B-5. INSTALL SURROUND PANELS ON INSERT.

NOTE: If MMS Mantle Shield is to be used, install at this time before proceeding with installation of the surround panels. (Refer to the installation instruction provided with the MMS kit).

A. Two surround panel kits are offered for use on the MI 2200 and MI 1500. The MSP-8 fits fireplace widths up to 42". The MSP-10 fits fireplace widths up to 46". Only the MSP-8A surround panel may be used with installation of the MI 1200.

Optional brass panel trim (MPT-8/10) is available for use on the above surround kits.

B. Remove surround panels and fiberglass insulation from carton and lay the 3 panels (top and 2 sides) face down on a carpet or other soft surface. Spread out insulation and cut to length so that the 3 cut pieces will fit behind the panels. The insulation pieces will be placed at the outer portion of the surround panel (See Fig. 5).

C. Mount the 2 side pieces on the unit with the bolts provided. Top surround panel will then fit over side pieces sliding tabs in top pieces into slots in each side piece (See Fig. 6). Bend out insulation spikes on back of trim pieces and carefully push insulation pieces over spikes. Bend spikes down to secure.

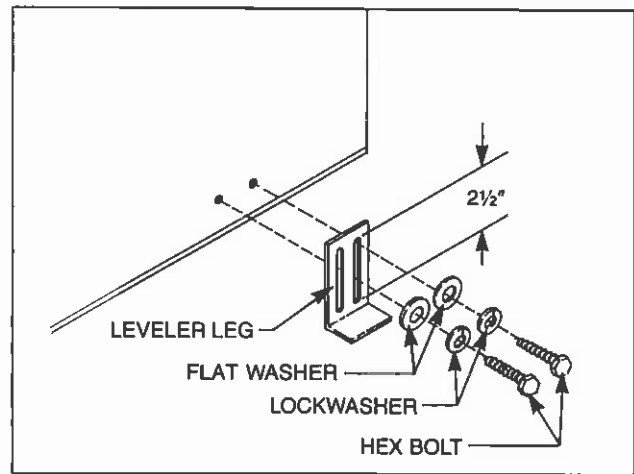


Fig. 4. Leveler leg attachment.

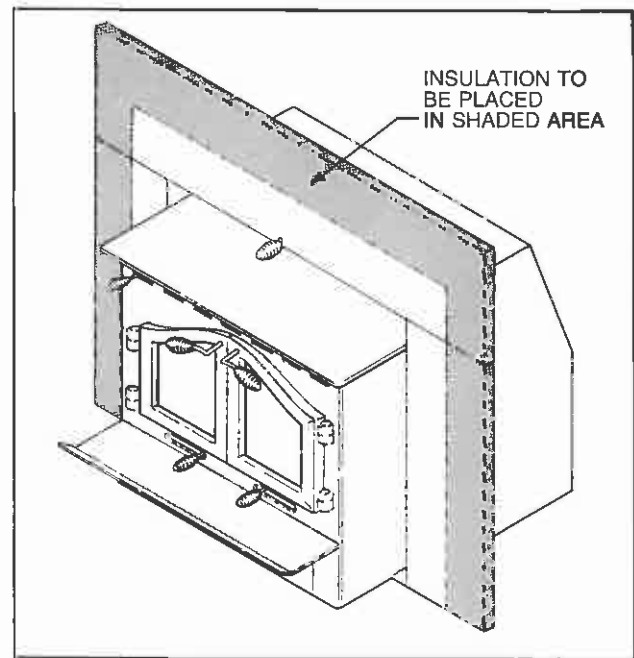


Fig. 5. Insulation in position.

□ B-6. INSTALLING THE INSERT INTO THE MASONRY FIREPLACE.

NOTE: Your fireplace damper should already have been removed or locked open. Slide insert into masonry opening. Be sure all combustible material (cardboard, etc.) is removed from below or around the insert.

Center insert in fireplace opening then slide completely into fireplace. At this point, the insulated back of trim piece should fit tightly against the face of the masonry fireplace to maintain a tight seal.

Open insert flue damper (pull lever located on center top of unit, out) and check that damper operation is not restricted. If any restriction is present, correct it before firing insert.

Installation of optional fan kit (MIF) can be made at this time. Refer to instructions provided with the kit.

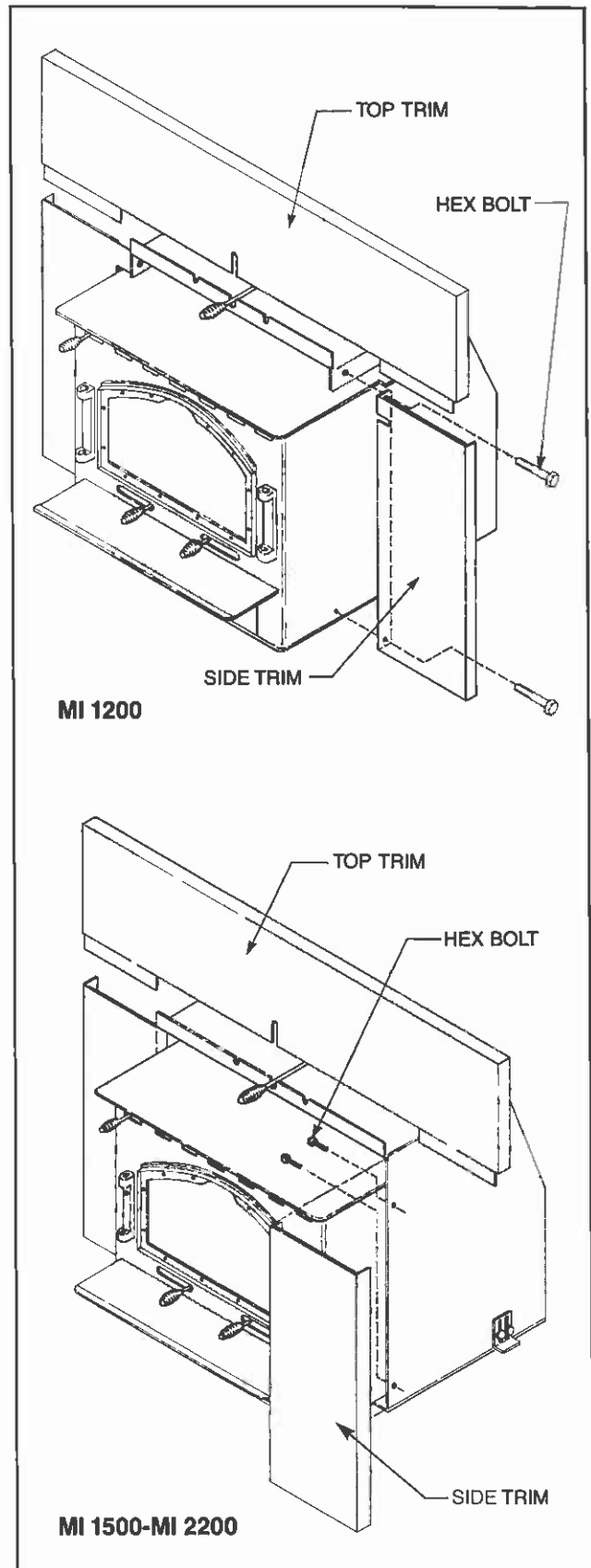


Fig. 6. Assemble trim kit.

SECTION III.

Care & Operation

OPERATING PRECAUTIONS.

The following precautions provide a quick reference to safe insert operation.

1. Make sure that all passageways of the chimney are clear and unobstructed.
2. Never use liquid fuels, especially gasoline or liquid fire starters. These types of liquids should never be stored in the vicinity of the insert.
3. Never burn scrap lumber or pine branches, since these produce dangerous sparks. Never burn trash, refuse, artificial logs, plastic, waste materials, flame colorants, soot cleaners, and other chemicals or compounds. They may contain or may form by-products which may be noxious to you or corrosive to your system.
4. Always open the insert flue damper before lighting a fire and keep it fully open while the fire is burning. Do not close the damper until the fire is completely out and smoking has stopped.
5. Always use care in adding fuel to the insert or using tools such as shovels, tongs, pokers, etc.
6. **CAUTION: Never let anything obstruct the air inlet or outlet ducts as this may cause a fire hazard. Maintain a minimum clearance of 2 feet from the upper air outlet to furniture, drapes, etc. The air leaving this area can be very hot.**
7. Always remain in attendance while the fire is burning. The insert must be operated with the doors closed unless a MAJESTIC MFS firescreen is installed when the unit is operated with the doors open.

WARNING: RISK OF SMOKE AND FLAME SPILLAGE — OPERATE ONLY WITH DOORS FULLY OPEN OR DOORS FULLY CLOSED.

See Fig. 6A.

8. Remember, the insert is hot during operation and should not be touched. Small children and pets should not be allowed near the insert while it is hot.

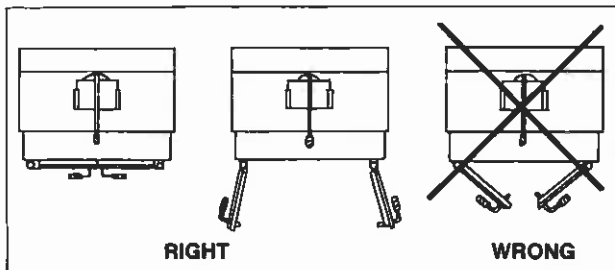


Fig. 6A. Operate doors fully open or fully closed.

9. Disposal of Ashes—Ashes should be placed in a metal container with tightfitting lid. The closed container of ashes should be placed on a non-combustible floor or on the ground, out-of-doors, well away from all combustible materials, pending final disposal. If the ashes are disposed by burial in soil or otherwise locally dispersed, they should be retained in the closed container until all cinders have thoroughly cooled.

Your First Few Fires.

Make sure all passageways of the Chimney system are clear and unobstructed.

Open damper and primary air controls. Open doors and place a small amount of paper and kindling on the hearth or grate. Place small split logs on the kindling. Light the paper and close the doors. Open the secondary air controls above the doors gradually as the fire burns. This secondary air source will aid in maintaining clean glass on the doors. After the fire is burning strong, the primary air controls can be adjusted to regulate the burn rate. The secondary air controls should always be left open.

CAUTION: Never use gasoline, gasoline-type lantern fuel, kerosene, charcoal lighter fluid, or similar liquids to start or "freshen up" a fire in this. Keep all such liquids well away from the insert while it is in use.

The paint, joint cement and Thermocord Gaskets (door seals) must be cured for proper operation. Build small fires to bring all insert components slowly up to operating temperatures. Some smoking and paint curing may occur during this period.

Your Majestic insert requires *curing*. The only way to do this is to burn several small fires at first. Ample warmth will be generated even during the use of small fires. After the unit is cured, large fires will not cause damage.

Tending the Fire.

Always remain in attendance while the fire is burning. The insert is designed to burn wood with a grate or andirons. Adequate operation will be attained with either method.

Your insert will also burn coal. The Majestic MCG Coal Grate is designed for these units. Installation instructions are provided with the kit.

Always use care when adding fuel to the insert. Never burn scrap lumber or pine branches, since these produce dangerous sparks. Never burn trash, refuse, artificial logs, plastic, waste materials, flame colorants, soot cleaners, and other chemicals or compounds. They may contain or may form by-products which may be noxious to you or corrosive to your system.

To maintain a longer fire, use a seasoned, hard wood. Do not overfire.

Blower Operation.

The optional blower offered for use with your Majestic insert will improve the forced convection heating system. The blower will provide heat extraction from the heat exchanger passage; across the bottom, up the back and across the top.

Adjust the blower speed to vary the heat output. A variable speed switch is located on the bottom right side of the blower housing, just above the power cord. Turn switch clockwise for blower operation. Maximum heat output and high fan speed is obtained when the switch is first turned on. As the dial is rotated clockwise, the fan speed is reduced. Turn dial counterclockwise until click is felt to turn blower off. Fan operation will depend on your heating needs. A little experimenting will enable you to select the proper fan operation to maintain the comfort level desired.

Glass Doors & Firescreen.

Your insert may be operated with doors open but should be operated with the doors closed for the insert to operate most efficiently.

If the insert is to be operated with doors open, a Majestic MFS Firescreen must be installed to reduce the chance of hot embers or sparks leaving the firebox (See Fig. 7 for installation of firescreen).

Firescreen may become heated during operation. Always use care during installation and removal of the screen. Use of tools or hotpads is recommended.

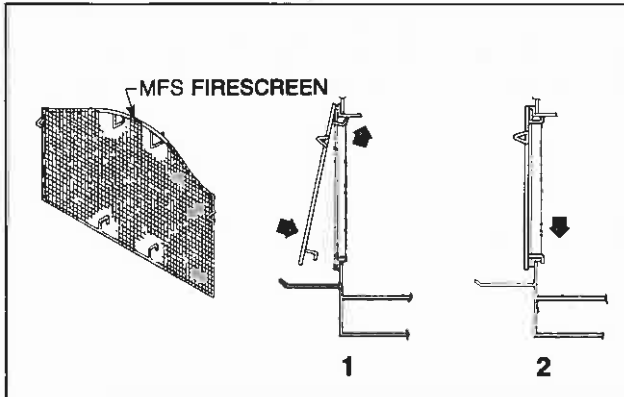


Fig. 7. Installation of firescreen.

If glass gets smudged, clean with water and cleaning agent such as a non-abrasive cleanser. Smudging may occur after over night banking.

Creosote Formation and Need for Removal.

When wood is burned slowly, it produces tar and other organic vapors, which combine with expelled moisture to form creosote. The creosote vapors condense in the relatively cool chimney flue of a slowburning fire. As a result, creosote residue accumulates on the flue lining. When ignited this creosote makes an extremely hot fire.

When coal is burned, the products of combustion combine with moisture to form a soot residue which accumulates on the flue lining. When ignited, this soot makes an extremely hot fire.

The chimney should be inspected at least twice monthly during the heating season to determine if a creosote build-up has occurred.

If creosote or soot has accumulated, it should be removed to reduce the risk of a chimney fire. The best prevention of creosote is to fire the insert in its medium to upper ranges using well seasoned hardwood. This can dry out and flake off creosote that may have built-up.

MAINTENANCE INSTRUCTIONS.

How to Care for your Majestic Insert.

Your Majestic insert is built to operate trouble-free with little need for extensive time-consuming maintenance chores on your part. As with any such piece of equipment, however, your insert will operate better and give longer service if a few basic housekeeping procedures are followed.

First, keep your insert and its key parts clean at all times. In addition, the following housekeeping procedures are recommended. They are divided into three different times when you should care for your insert.

A. Before Each Use of the Insert

Inspect the firebox to be sure it is clean and ready for use. Remove excessive ashes and dispose of properly.

B. In the Fall Before the First Seasonal use of the Insert.

1. Inspect the roof in the area of the chimney and remove any obstructions of foreign material.
2. Inspect the chimney top and the openings in the chimney housing and remove any obstruction (bird nests, animal nests, large leaves, etc.) that may have accumulated during the summer. If the chimney top has a screen (bird guard), clean it thoroughly.
3. Inspect the flue for obstructions (bird nests, animal nests, leaves, etc.) and remove them if any are found.

C. In the Spring After the Last Seasonal Use of the Insert.

1. Inspect the chimney top and the openings in the chimney housing. Remove any foreign objects that may have collected in them. Be careful to avoid sharp edges that could cut your hands (wear gloves).
2. Slide insert out of fireplace opening. Inspect the flue for obstructions by removing the rain cap or by looking up from inside the fireplace. If you find any obstructions, they usually can be removed by pushing them down through the flue with a long pole from the roof. They can be removed through the fireplace opening. Before starting this operation, however, be sure to seal off the fireplace front to keep soot out of the room.
3. After any obstructions have been removed, inspect the inside of the flue for excessive soot accumulation. Clean if necessary.
4. Replace the chimney rain cap.
5. Clean the complete insert. Reinstall into fireplace.
6. Remove all wood from your inside wood storage area and stack outside to dry. Clean out all debris (bark, splinters, sawdust, chips, etc.) from this area. (It makes good mulch around garden hedges and bushes.) If the firewood and debris are left in the wood storage area over the summer, it can bake tinder-dry. Although a rare occurrence, such an environment can cause a fire to start.

**IMPORTANT
Care of Finish.**

The finish on your insert was baked on at the factory. A few fires will cure the finish and it should last for years. As finish cures you may notice a slight odor. If you clean the painted finish, use a moistened cloth — sometimes a little liquid detergent will remove fingermarks. Don't use wax or other coatings.

**IMPORTANT
Care of brass finish.**

With repeated firing the brass will dull. To restore brass color, and as not to harm the brass surface, clean with a non-abrasive brass cleaner.

Please note that your Accent™ Fireplace Insert brass door has been factory coated with a special anti-tarnish coating to protect the door from tarnish during shipment. This coating will give the door a "milky" appearance and must be removed. With time, the coating will break down and some tarnish may appear. In either case, the protective coating or tarnish may be removed by using the enclosed packets of brass cleaner.

To clean: Sparingly spread the cleaner on the exposed surfaces of the door with a soft cloth and allow to stand for 30 to 60 seconds. Next, rub the cleaner vigorously using the same cloth to remove the coating and/or tarnish. Use another soft dry cloth to remove the excess cleaner and polish the surface with a vigorous rubbing motion. The brush enclosed will assist in cleaning the non-polished areas.

SAVE THESE INSTRUCTIONS FOR FUTURE REFERENCE.

REFERENCE DATA

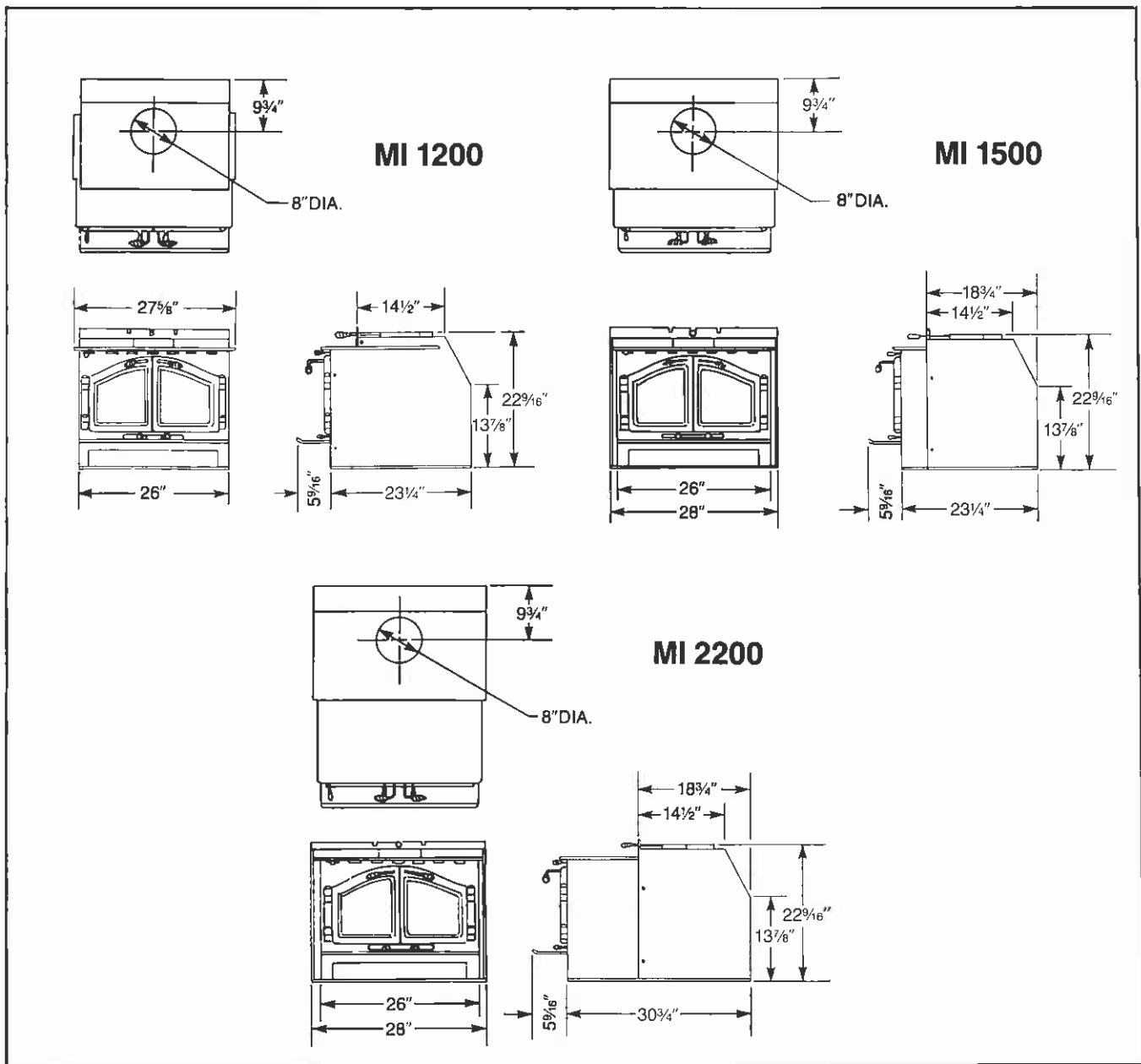
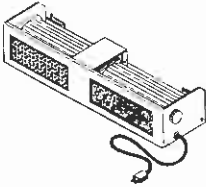
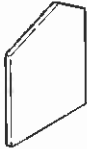
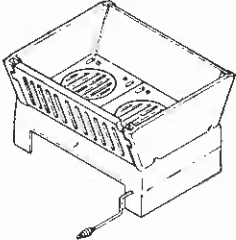
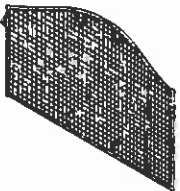


Fig. 8 Dimensions of MI 1200, MI 1500, MI 2200 fireplace inserts.

Accessory Parts

The following accessory parts can be obtained from your Majestic Dealer. All items are supplied with installation instructions packaged with the unit. Should you need additional information beyond what your dealer can furnish, contact the Majestic Company, Huntington, Indiana 46750, Attention: Director of Customer Service.

CAUTION: This is a highly engineered system and, as such, must be operated only with Majestic approved components that have been designed as parts of the system. If you use an unapproved component or make any modifications, you may possibly cause a fire hazard and will void the Majestic warranty. In addition, such action may void the coverage provided by the owner's house insurance.

Accessory	Description	Model No.
<p data-bbox="159 506 245 533">Fan Kit</p> 	<p data-bbox="586 611 899 638">Fan kit for MI-Series insert.</p>	<p data-bbox="1127 611 1175 638">MIF</p>
<p data-bbox="159 787 289 814">Door Inset</p> 	<p data-bbox="586 848 971 968">Blackcast door inset (old mill pattern.) Fits all door models. Glass Door Inset-plain. Fits all door models.</p>	<p data-bbox="1127 848 1214 875">MDP-C</p> <p data-bbox="1127 917 1214 945">MDP-G</p>
<p data-bbox="159 1136 289 1163">Coal Grate</p> 	<p data-bbox="586 1199 938 1255">Used in the firebox to hold firewood.</p>	<p data-bbox="1127 1199 1192 1226">MCG</p>
<p data-bbox="159 1459 293 1486">Firescreen</p> 	<p data-bbox="586 1598 867 1717">Firescreen for use with MI Series insert. Required to operate with doors open.</p>	<p data-bbox="1127 1598 1192 1625">MFS</p>



LIMITED WARRANTY & 5 YEAR PROTECTION PLAN

For Majestic® ACCENT™ FIREPLACE INSERT

This limited warranty will not become effective unless and until you have completed and mailed to The Majestic Company, Huntington, Indiana 46750, the enclosed owner's registration card within sixty (60) days after the date of installation of the fireplace insert described thereon.

Subject to the conditions set forth herein, including your completing the information set forth on the owner's registration card and your returning the owner's registration card within sixty (60) days after the date of installation of the Majestic® ACCENT™ fireplace insert therein described, The Majestic Company Division of American Standard Inc., extends the following limited warranty with respect to said fireplace insert (which term does not include any accessories):

If examination should prove to the satisfaction of Majestic that any part or portion of said fireplace insert, except the ACCENT™ Fan System, Coal Grate, Firescreen, Glass and Cast Inset(s), Flue Connector, Mantel Shield and Surround Panel Trim covered by separate provision herein, is defective in material or workmanship under normal use and services within the time periods hereinafter set forth, Majestic will take the following actions:

(1) Within a period of one (1) year from the date of installation of said fireplace insert, Majestic shall, at its option, replace or repair any such defect in material or workmanship at Majestic's expense. MAJESTIC SHALL NOT, HOWEVER, BE RESPONSIBLE FOR ANY OTHER LABOR OR ANY OTHER COSTS OR EXPENSES INCLUDING INDIRECT, INCIDENTAL OR CONSEQUENTIAL DAMAGES.

(2) Within the first (1st) through the second (2nd) year following the date of installation of said fireplace, Majestic shall furnish a replacement part or parts at no charge, but MAJESTIC SHALL NOT BE RESPONSIBLE FOR ANY LABOR, OR ANY OTHER COSTS OR EXPENSES, INCLUDING INDIRECT, INCIDENTAL OR CONSEQUENTIAL DAMAGES.

(3) After the expiration of the above Two (2) Year Limited Warranty, and through the fifth (5th) year following the date of installation, Majestic will sell to you, FOB its factory, a replacement part or parts (if available) at its then current minimum list price, but MAJESTIC SHALL NOT BE RESPONSIBLE FOR ANY LABOR, TRANSPORTATION OR OTHER COSTS OR EXPENSES, INCLUDING INDIRECT, INCIDENTAL OR CONSEQUENTIAL DAMAGES.

(4) Within a period of ninety (90) days from the date of installation of said fireplace insert, Majestic shall, at its option, replace or repair the Fan System, Coal Grate, Firescreen, Cast Inset(s), Flue Connector, Mantel Shield and Surround Panel Trim, if operation impairment occur unless impairment is caused by improper usage or physical abuse. After then, Majestic will sell to you, FOB its factory, a replacement Fan System, Coal Grate, Firescreen, Cast Inset(s), Flue Connector, Mantel Shield and Surround Panel Trim (if available) at its then current minimum list price, but MAJESTIC SHALL NOT BE RESPONSIBLE FOR ANY LABOR, TRANSPORTATION OR OTHER COSTS OR EXPENSES, INCLUDING INDIRECT, INCIDENTAL OR CONSEQUENTIAL DAMAGES.

(5) Within a period of thirty (30) days from the date of installation of said fireplace insert, Majestic shall, at its option, replace or repair the Glass Inset(s) if operation impairment occur unless impairment is caused by improper usage or physical abuse. After then, Majestic will sell to you, FOB its factory, a replacement Glass Inset(s) (if available) at its then current minimum list price, but MAJESTIC SHALL NOT BE RESPONSIBLE FOR ANY LABOR, TRANSPORTATION OR OTHER COSTS OR EXPENSES, INCLUDING INDIRECT, INCIDENTAL OR CONSEQUENTIAL DAMAGES.

In any event, The Majestic Company may discharge its entire warranty obligation by refunding to the consumer the wholesale price of the product.

Products of other manufacturers sold by Majestic, whether or not attached to or sold in conjunction with said fireplace insert are not covered by this limited warranty.

This limited warranty shall be void (a) if said fireplace insert is not installed and operated at all times in accordance with the installation and operating instructions furnished; (b) if said fireplace insert is installed outside of the continental United States of America or the Dominion of Canada; or (c) if said fireplace insert is at any time or has been removed from the place in which it was originally installed.

EXCEPT TO THE EXTENT PROVIDED BY LAW, THERE ARE NO IMPLIED WARRANTIES APPLICABLE TO SAID ACCENT™ FIREPLACE INSERT, INCLUDING IMPLIED WARRANTIES OF MERCHANTABILITY OR FITNESS FOR A PARTICULAR PURPOSE, AND IN NO EVENT SHALL ANY IMPLIED WARRANTIES APPLICABLE TO SAID FIREPLACE INSERT BE EFFECTIVE AFTER EXPIRATION OF THE ABOVE LIMITED WARRANTY.

Some states do not allow limitations on how long an implied warranty lasts, so this limitation may not apply to you. Similarly, some states do not allow the exclusion or limitation of incidental or consequential damages, so the above exclusions of indirect, incidental or consequential damages may not apply to you.

This warranty gives you specific legal rights and you may also have other rights which vary from state to state.

In order to obtain performance of any of the above warranty obligations, you should write to Majestic at this address:

The Majestic Company
Huntington, Indiana 46750
Attention: Director of Customer Service

Since local building code requirements vary greatly throughout the country, users of Majestic products should determine in advance whether there are any building code restrictions on the use of a specific product. Majestic makes no representation or warranty regarding, and shall not be responsible for, any building code compliance.

