

SIT Pilot Assembly Retrofit - # 311

(Replaces R. Shaw Pilot Asbly) (SKU # 93007311)

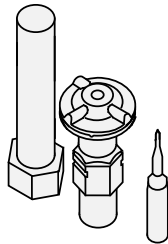
Check Condition of Shipment

Upon receipt of this kit, check the condition of the packaging. Damage to the package should be noted on the carrier's freight receipt. Any damage claims as a result of shipping must be handled through the shipper. Travis Industries will provide assistance in resolving shipping claims or replacing items not included in the package. Please report any missing items immediately.

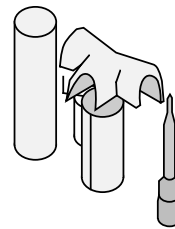
Compatibility

This kit contains a SIT pilot mounting plate for the models listed below. This allows the SIT pilot assembly to be mounted to heaters originally designed for the Robert Shaw pilot assembly. After this kit is installed, use SIT pilot replacement parts. NOTE: if the model addressed is not listed below, you will need a different kit.

SIT Pilot Assembly



Robert Shaw Pilot Assembly



36 DV-A Fireplace 1996 Serial #'s 3038-5967
 36 DV-R Fireplace 1996 Serial #'s 25002-25298
 36 DV-A/R Fireplace 1997 Serial #'s 30000-35355

Heritage Bay DV 1996 Serial #'s 60000-61703
 Heritage Bay DV 1997 Serial #'s 61704-63200
 Heritage Bay B-Vent 1997 Serial #'s 160001-160497

Items Needed for Installation

- Drill with 1/4" Drill Bit
- 1/4" Nutdriver
- 7/8", 3/4", 7/16", 3/8" Open End Wrench
- 7/16" Socket Wrench
- Standard Screwdriver (large & small)

Packing List:

- SIT Pilot Assembly
- SIT Pilot Mounting Bracket (# 311 version)
- (2) #8 x 3/8" Sheet Metal Screws
- SIT Pilot Assembly Gasket
- Sit Mounting Bracket Gasket
- LP Pilot Orifice

Installation Instructions:

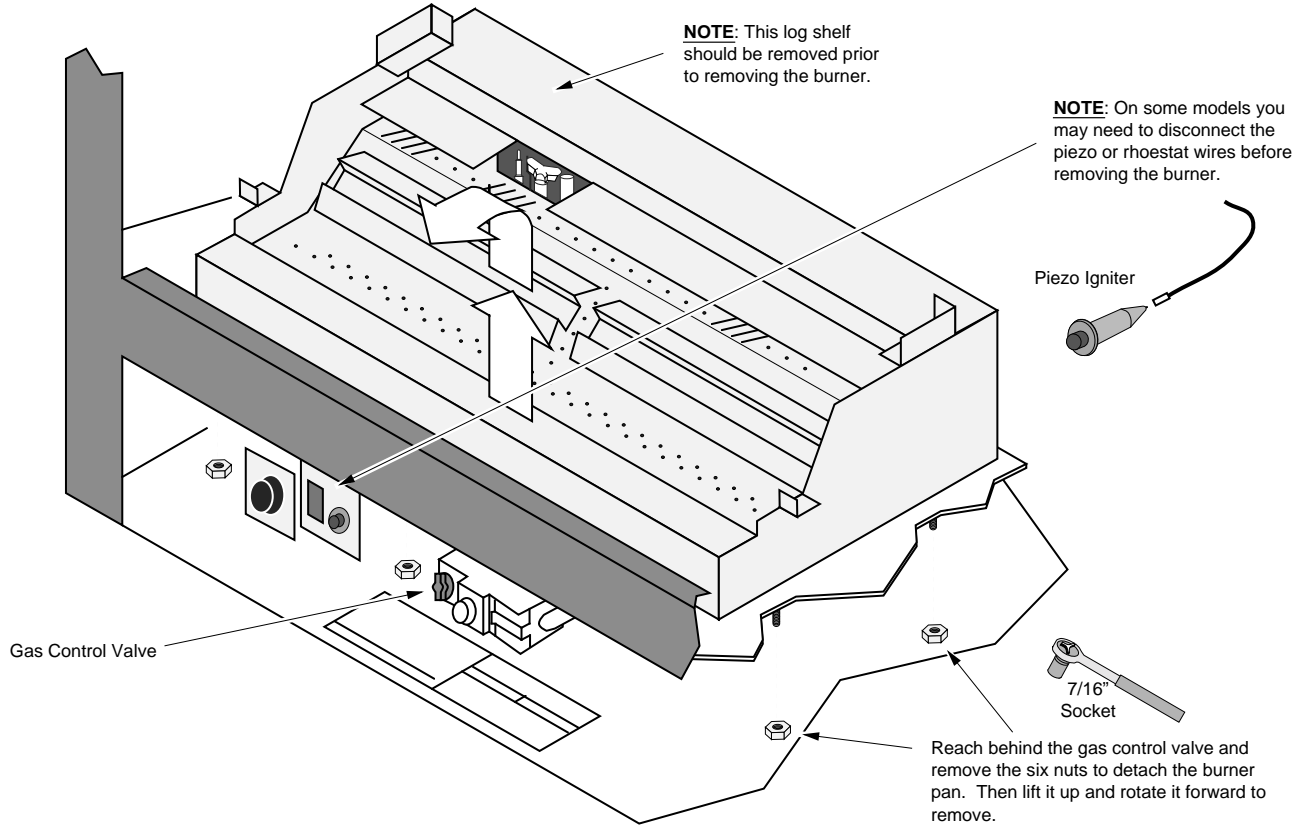
Warning: Shut off the gas to the appliance prior to conducting service.

- 1 Remove the log set and log shelf (see the owner's manual for details).

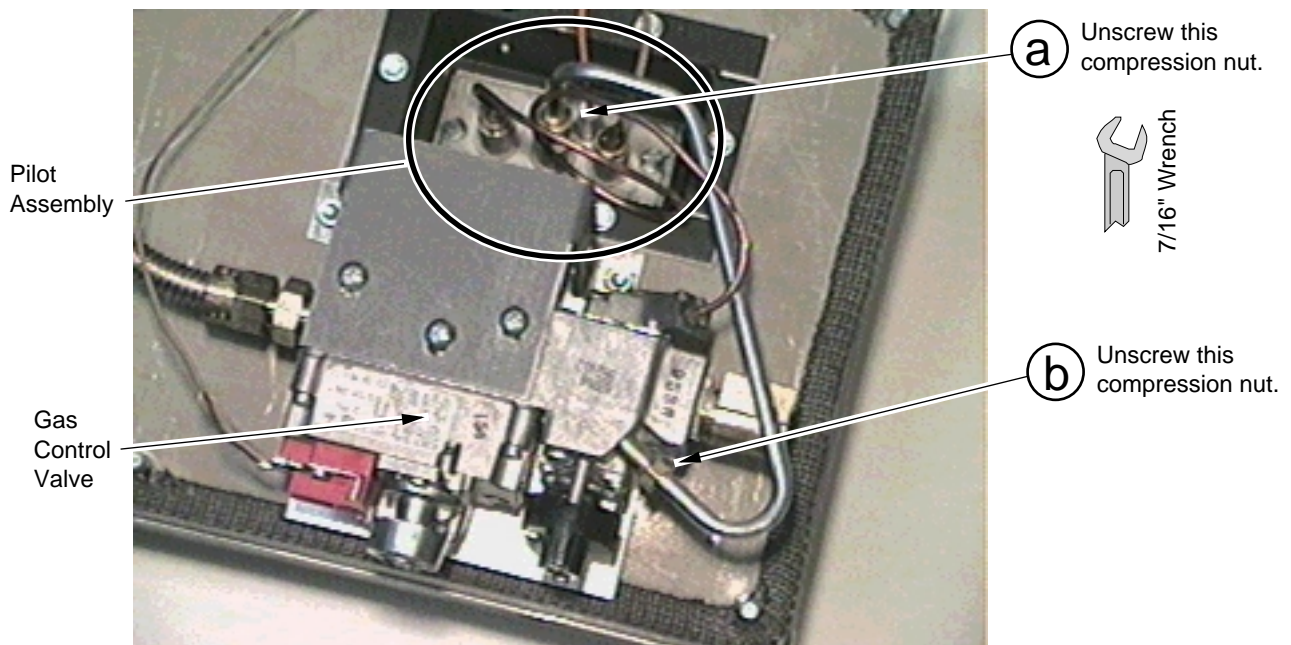
SIT Pilot Assembly Retrofit - # 311

(Replaces R. Shaw Pilot Asbly) (SKU # 93007311)

2 Disconnect the gas inlet and remove the burner (see the illustration abelow).



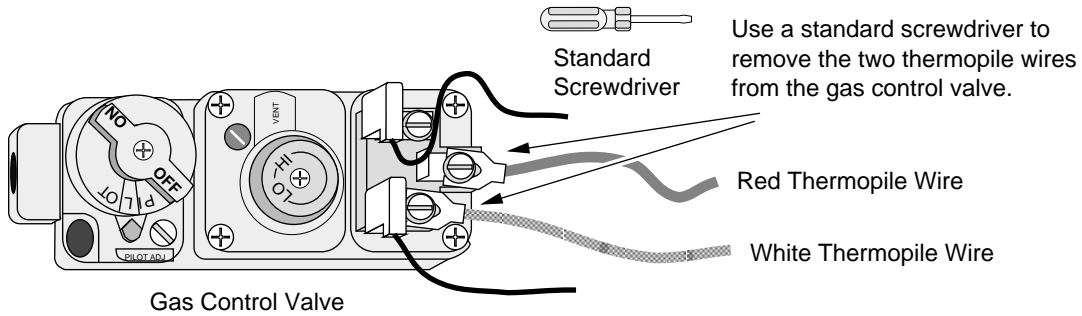
3 Place the burner upside down on a work surface. Remove and discard the pilot tube.



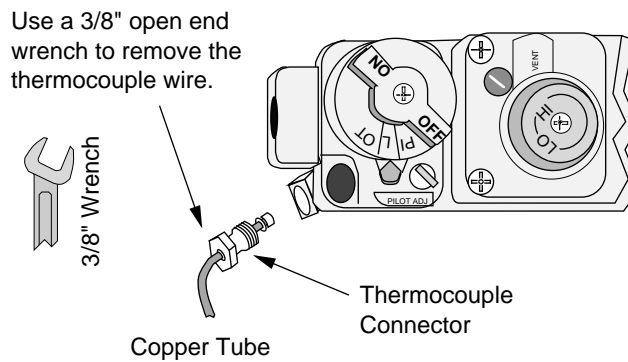
SIT Pilot Assembly Retrofit - # 311

(Replaces R. Shaw Pilot Asbly) (SKU # 93007311)

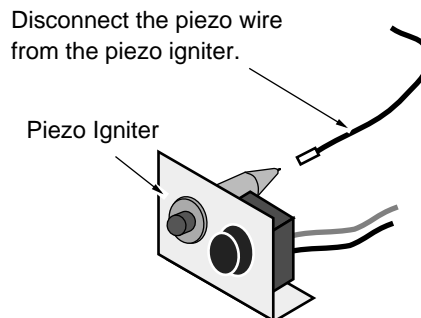
4 Disconnect the thermopile wires.



5 Disconnect the thermocouple wire.



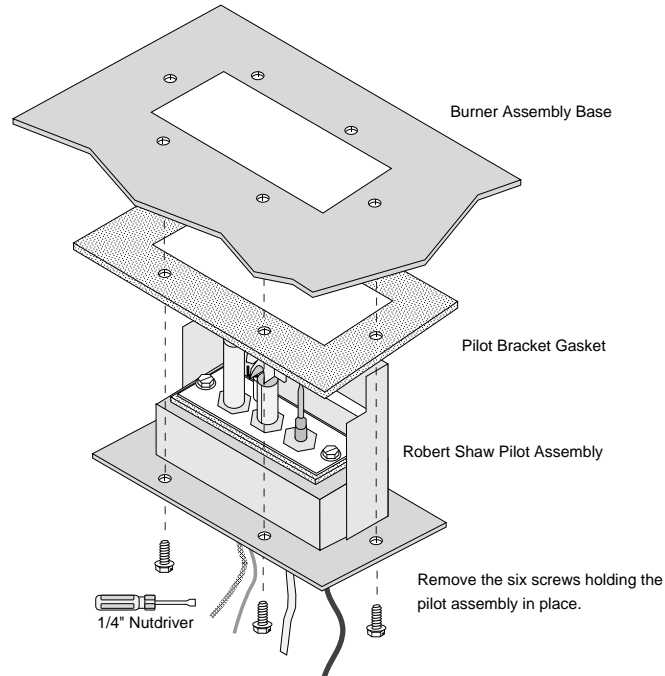
6 Disconnect the piezo wire from the piezo igniter (if it has not been disconnected earlier).



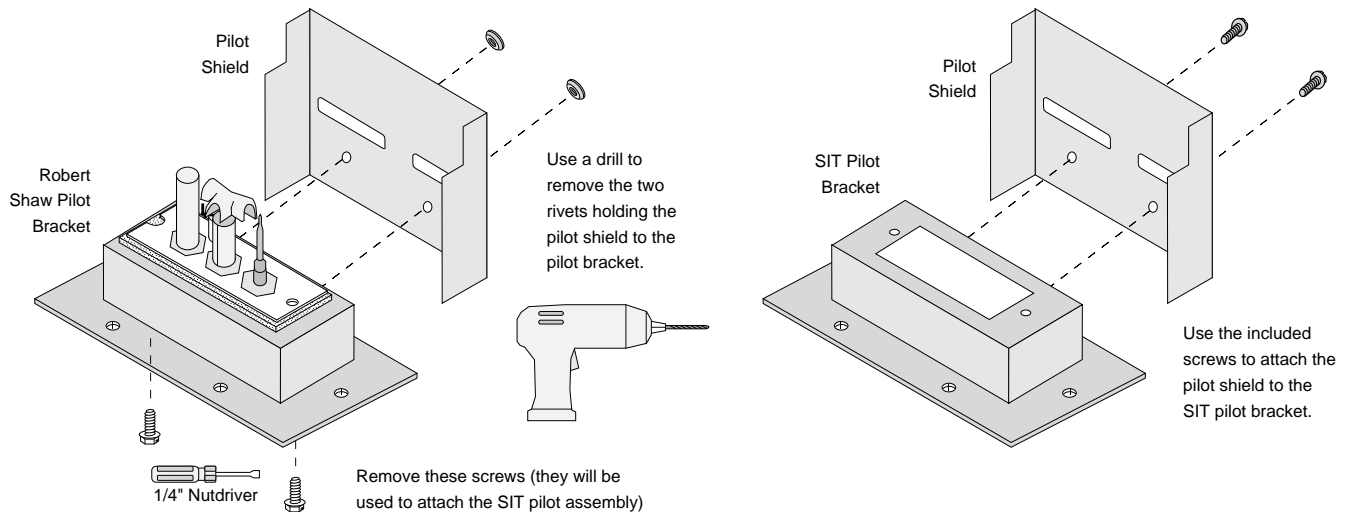
SIT Pilot Assembly Retrofit - # 311

(Replaces R. Shaw Pilot Asbly) (SKU # 93007311)

- 7 Remove the Robert Shaw Pilot Assembly, including the wires and pilot tube, following the directions below.



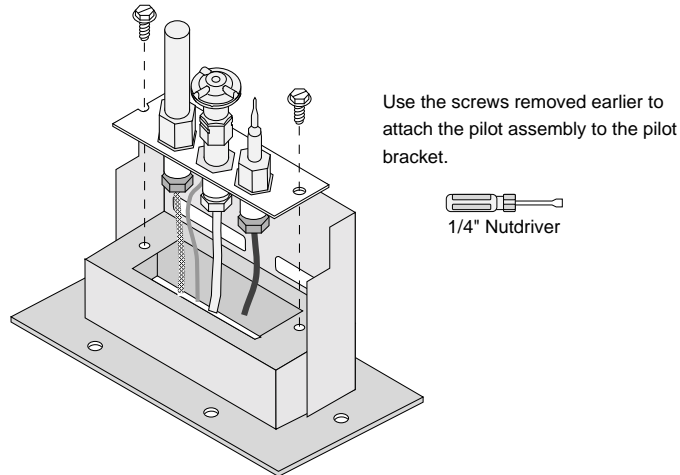
- 8 Remove the pilot shield from the Robert Shaw pilot assembly and attach to the SIT pilot assembly following the directions below. The Robert Shaw pilot assembly may be discarded at this time.



SIT Pilot Assembly Retrofit - # 311

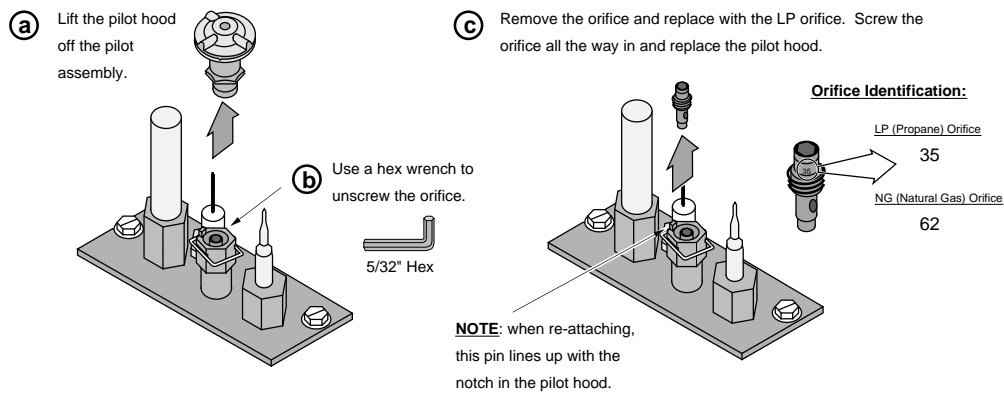
(Replaces R. Shaw Pilot Asbly) (SKU # 93007311)

9 Attach the SIT pilot assembly to the pilot bracket following the directions below.



10 Attach the pilot assembly to the burner (see step 7 above). Connect the pilot tube, thermocouple, thermopile, and igniter to the appropriate connection.

11 If using propane (LP), install the LP pilot orifice following the directions below.



12 Install the burner, log shelf, and log set. Make the gas line connection, bleed the gas line (if applicable), start the heater and thoroughly leak-test all gas connections and the gas control valve. Check the pilot. Adjust if necessary.

