

---

**INSTALLATION INSTRUCTIONS FOR CHASE TERMINATIONS  
MODELS FTF8-CT2, FTF10-CT2 AND FTF13-CT2 (63L51, 63L52 AND 63L54)**

---

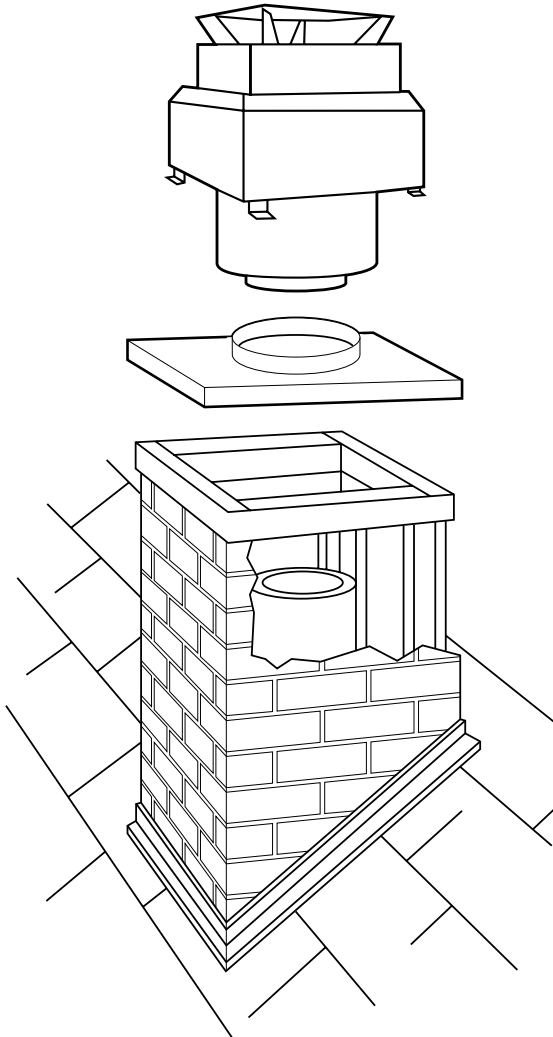
**GENERAL INFORMATION**

The CT2 terminations are designed to be used on locally fabricated chimney enclosures, referred to herein as a chase. A chase may house one or more chimney systems. The CT2 is available in three models, FTF8-CT2, FTF10-CT2 and FTF13-CT1, to fit the FTF8, FTF10 and FTF13 chimney components respectively. The CT2 terminations have an integral slip section with a maximum effective length of 10" and, when installed per these instructions, add an effective chimney height of 13" above the chase for all three models.

**APPROVALS AND LISTINGS**

The CT2 terminations are tested as an integral component of the FTF8/10 and 13 chimney systems and may be used with any manufactured fireplace listed for use with FTF8/10 and 13 chimney components. The FTF8/10-CT1 terminations are listed for these applications by Warnock Hersey to U.L. standard 127.

**PLEASE RETAIN THIS MANUAL FOR FUTURE REFERENCE.**



## MODEL FTF8, FTF10 AND FTF13-CT1 CHASE TERMINATIONS

### Chase Construction

The chase is a hollow vertical enclosure framed as a part of the building and covered with a suitable exterior veneer. Always consult local building codes for approved chase construction techniques.

**Note:** Combustible chase components must maintain a minimum clearance to the chimney sections above the roofline. The minimum air spaces (clearances) must be the same as the chimney system to which it is attached. This information is specified on the chimney label and in the fireplace installation instructions.

The chase flashing, fabricated locally, is used to anchor the termination to the chase. The flashing should be a minimum 0.018" thick G90 galvanized steel or equivalent per ASTM 525. The flashing should be constructed to overlap the chase to seal out the elements.

### To Install

**Step 1.** Construct the locally fabricated chase and chase flashing and finish to applicable chase size. Detail in *Figure 4* depicts minimum dimensions.

**Step 2.** Secure the flashing spacers and flashing to the top of the chase, using 8d nails, in the manner shown in *Figures 1 or 2*. (Spacers are shipped with termination.)

**Step 3.** Install the chimney sections to within 10" (254 mm) of the chase flashing, but not closer than 1 1/2" (38 mm).

**Step 4.** Secure chase flashing (over previously mounted spacers) to chase with 8d nails.

**Step 5.** Slide outer slip section of termination adapter down through flashing collar and over outside of chimney section. Support brackets mounted on outer surface of slip section must lock on top of flashing collar as illustrated in *Figure 3*.

**\*Note:** Remove the rain cap from the top of the termination body to facilitate the flue insertion.

**Step 6.** Center lower body of termination on flashing over flash collar. Insert flue slip section down through termination and insert into flue section of chimney.

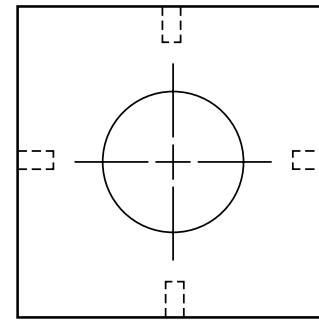
**\*Note:** Flue slip section must engage a minimum of 2 inches (51 mm) into flue section of chimney.

Make certain that upper flange on flue slip section rests firm on collar of lower termination body.

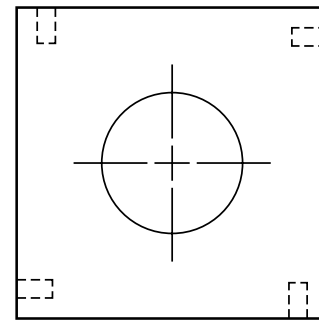
**Step 7.** Secure rain top to lower termination body with the 6 screws provided.

**Step 8.** Secure the termination to the flashing with the 4 screws provided.

**Step 9.** Seal all nail and screw holes in chase flashing with a good quality waterproof mastic.

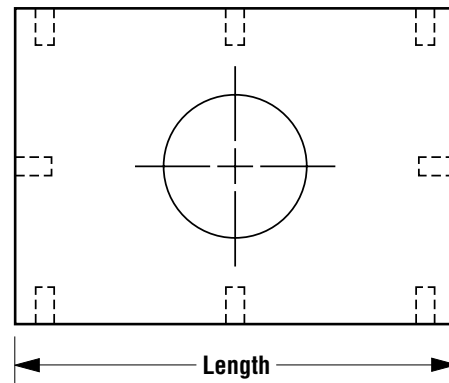


Spacer Location



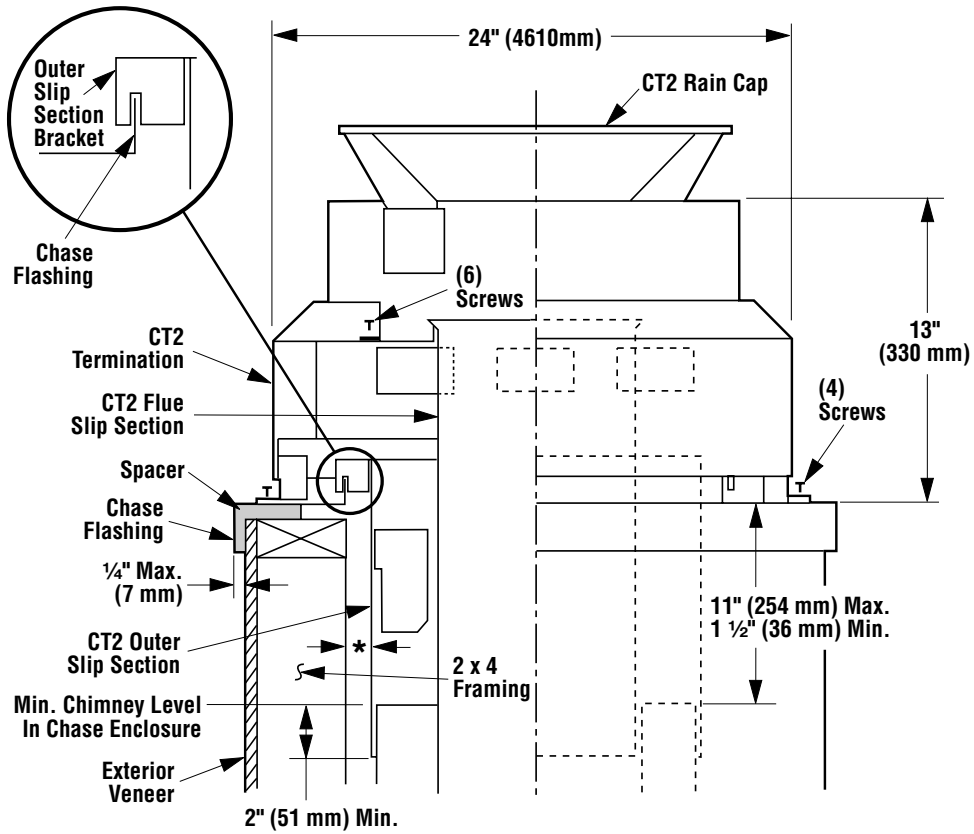
Spacer Location  
(Alternate)

**Figure 1**



Spacer Location

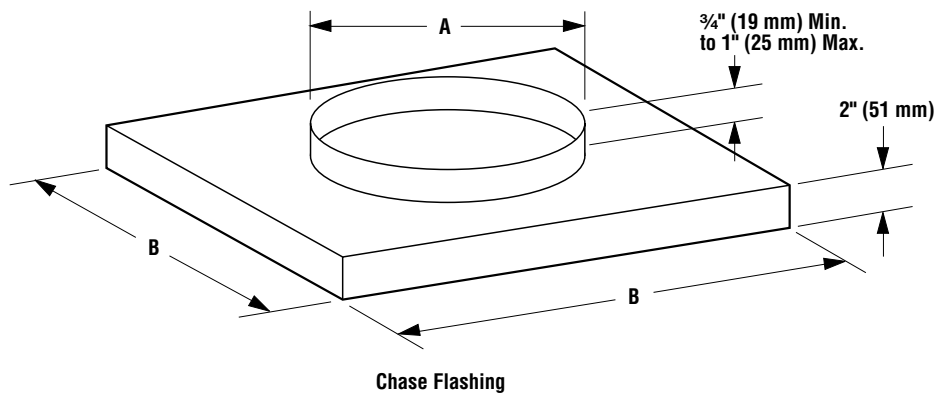
**Figure 2**



**CAUTION: DO NOT CAULK OR SEAL THE FLASHING VENTILATING OPENINGS.**

*\*Note: The minimum air spaces (clearances) must be the same as the chimney system to which it is attached. This information is specified on the chimney label and in the fireplace installation instructions.*

**Figure 3**



A	B	Termination
14 3/4" (375 mm)	26 1/2" (673 mm)	FTF8-CT2
17 1/4" (438 mm)	26 1/2" (673 mm)	FTF10-CT2
14 3/4" (375 mm)	28" (711 mm)	FTF13-CT2

**Figure 4**

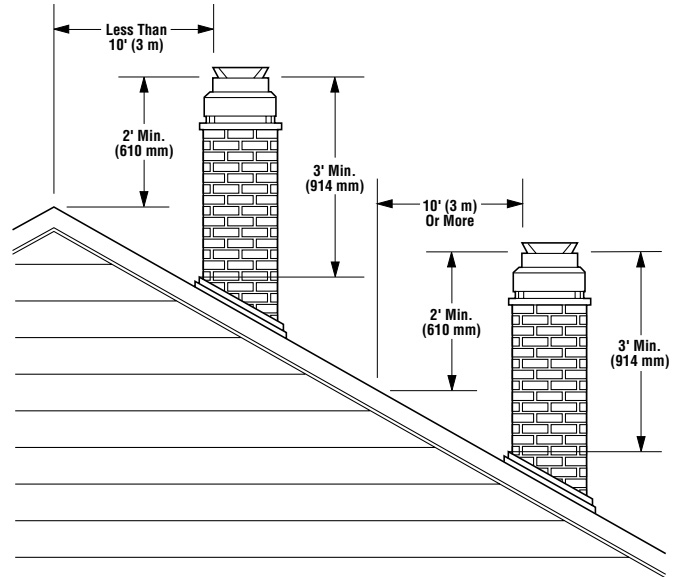
NOTE: DIAGRAMS & ILLUSTRATIONS NOT TO SCALE.

## FIREPLACE CHIMNEY TEN FOOT RULE SUMMARY

If the horizontal distance from the chimney edge to the peak of the roof is 10' (3 m) or less, the top of the chimney must be at least 2' (610 mm) above the peak of the roof.

If the horizontal distance from the chimney edge to the peak of the roof is greater than 10' (3 m), a chimney height reference point is established on the roof surface 10' (3 m) horizontally from the chimney edge. The top of the chimney must be at least 2' (610 mm) above this reference point. In all cases the chimney must terminate a minimum of 3' (914 mm) above the highest point of the roof opening.

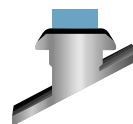
The ten foot rule is necessary in the interest of safety and does not ensure smoke free operation. Trees, building, adjoining rooflines, adverse wind conditions, etc., may require a taller chimney should a smoking problem exist.



**Figure 5**

NOTE: DIAGRAMS & ILLUSTRATIONS NOT TO SCALE.

Security Chimneys International reserves the right to make changes at any time, without notice, in design, materials, specifications, prices and also to discontinue colors, styles and products. Consult your local distributor for fireplace code information.



**SECURITY CHIMNEYS  
INTERNATIONAL**

1110 West Taft Avenue  
Orange, CA 92865

Printed in U.S.A. © 2000 by SCI

**P/N 750,016M REV. A 11/2003**