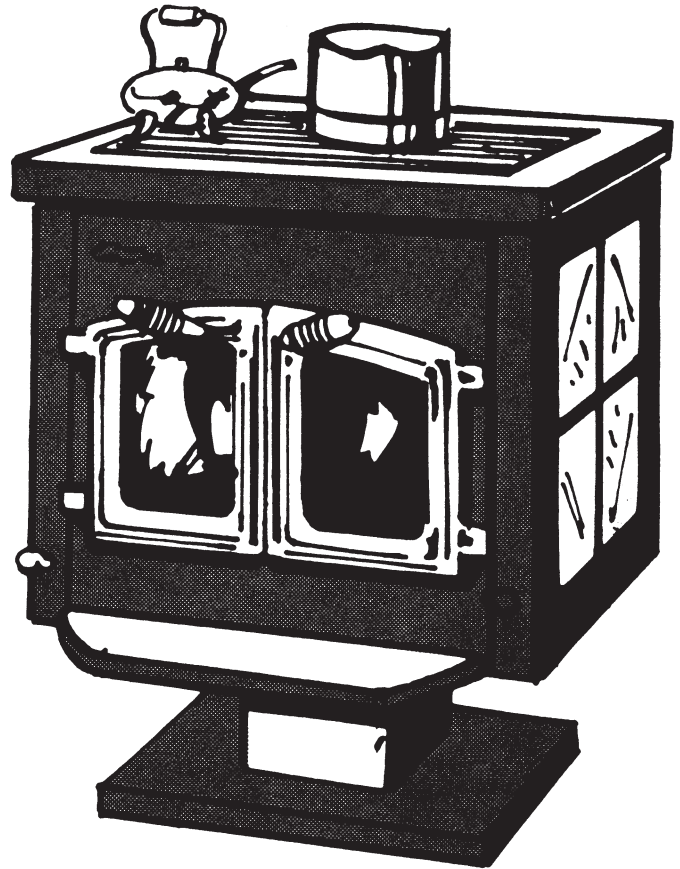
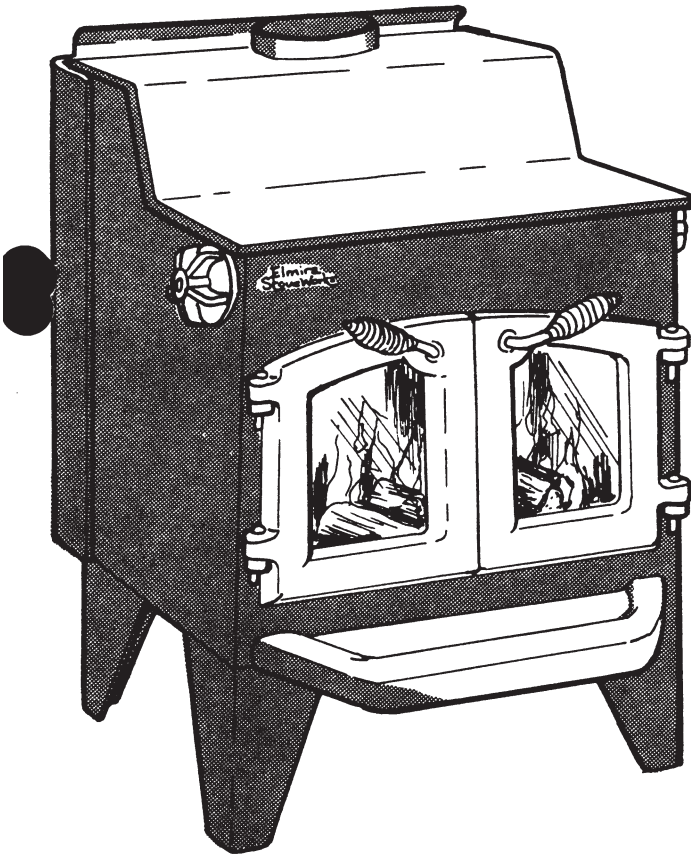


The Elmira Stepstove is listed to ULC Standard S-627 & UL 1482 by Warnock Hersey Professional Services Ltd.



Elmira Stove Works

Installation and Operating Instructions for the ELMIRA STEPSTOVE & TILESTOVE



GENERAL INFORMATION

Your new Tilestove or Stepstove will give you many years of pleasure and service providing these instructions are read and followed carefully. Failure to read, follow these instructions and use recommended components, could result in a fire hazard.

SAVE THESE INSTRUCTIONS
FOR FUTURE REFERENCE.

INSTALLATION SAFETY

1. Contact your local building official for installation permits and comply with all provincial and local codes.
2. Do not connect the stove to a chimney flue serving another appliance.
3. Check your chimney system thoroughly when installing into an existing metal or masonry chimney. If in doubt about its condition, seek professional advice.
4. Do not use uninsulated or single wall pipe for exterior chimney applications.
5. Comply with all minimum clearances to combustibles as shown in this manual.
6. Never use gasoline, charcoal lighter fluid or similar liquids to start a fire in this heater. Keep all such liquids well away from heater while it is in use.
7. Do not burn wet or green wood. Store firewood in dry location.
8. Do not burn garbage.
9. Do not fill stove with wood above the brick liner.
10. During operation, if any part of the heater starts to glow, the stove is in an overfired condition. Stop adding fuel immediately and close the door and draft control completely until the glowing is eliminated.
11. Cool ashes often contain hot coals and should be disposed of carefully.
12. Do not permit soot or creosote to accumulate excessively on the interior surface of the chimney or inside the heater firebox.
13. It is recommended that a smoke alarm system be installed in your home.

INSTALLATION OF YOUR STOVE

Installation is extremely important to the overall efficiency and safe operation of the stove. If in doubt about how to install the stove properly, seek out a professional installation service.

1. Remove doors and set in a safe place.
2. Set the floor protector and unit in place according to the minimum clearance to combustibles chart.
3. Install the chimney (and wall thimble for the through-the-wall installations) according to the instructions provided by the chimney manufacturer.
4. Secure adjacent sections of chimney connector to each other using three metal screws equally spaced around the pipe at each joint.
5. Secure the chimney connector to the flue outlet using at least 2 sheet metal screws.
6. All fuel burning appliances require air for combustion. It is important that some fresh air be supplied to the space where the heater is located. This may be done by opening a window slightly.

FLOOR PROTECTION

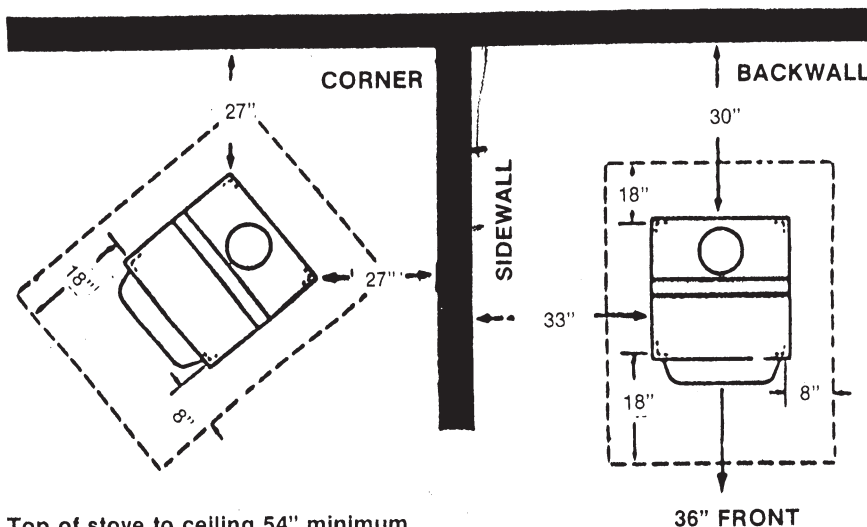
When installing this stove on a combustible floor, a floor protection of 3/8" non-combustible material is required to cover the area under the stove and extend at least 18" to the front, 8" to the sides and 10" to the rear past the farthest projection of the stove flue.

INSTALLATION CLEARANCES

Minimum clearance to combustibles as illustrated.
Minimum flue clearance to combustibles 18" horizontal or vertical.

Maintain at least the following clearances to **combustible** materials.

36" from front 33" from sides
30" from rear



Top of stove to ceiling 54" minimum

For reduced clearances and further information on using your woodstove safely, obtain a copy of the following booklet:

In Canada
Canada Mortgage and Housing Corporation
Publication on Heating with Wood Safely.

(Available from any CMHC office)

In United States
National Fire Protection Association
publication
Using Coal and Wood Safely NFPA No. 115-8-1974.
The address of NFPA is:
470 Atlantic Ave., Boston, MA 02210

CHIMNEY

This stove must be connected to a masonry chimney or a type "A" ULC (Canada) or ULI (United States) listed factory built chimney at least 6" in diameter. A chimney height of at least 15 feet, measured from the floor on which the cookstove stands is required.

The chimney must be in good condition and installed in accordance with the manufacturers instructions.

REMEMBER . . . A stove itself has no draft. Draft must be supplied by the chimney. If your stove continually smokes when lit, the chimney should be checked. It may have to be repaired, extended or replaced.

Check the following before hooking stove to chimney . . .

1. Check your unused chimney for interior obstructions.
2. Seal all cracks or leaks with high temperature cement.
3. Make sure your chimney cleanout door located near the bottom of the chimney is sealed tightly.
4. Chimney should extend at least 3 feet above the highest point where it passes through the roof. It should also be at least 2 ft. higher than any portion of the building within 10 ft. Trees, hills, overhangs or other houses, etc. near your chimney can cause a downdraft resulting in a smoke filled room.
5. Any stove requires an air supply to burn. If the house is constructed airtight or if ventilating or furnace fans suck air from the stove area, your stove will smoke. Air may be provided to the stove by opening a window a crack.
6. Single wall smoke pipe should be used to connect the stove to the chimney only and not as an outside chimney. Reasons are . . . smoke pipe cools quickly, forming creosote on the inside walls. When smoke pipe cools, the flow of smoke may be reversed into the room.
7. Keep smoke pipe running to a minimum and elbows to a maximum of two.
8. Secure adjoining sections of smoke pipe with 3 self tapping sheet metal screws.
9. Insert smoke pipe into masonry chimney no further than the wall of the flue tile.
10. Single wall smoke pipe must not penetrate combustible ceilings or walls. Smoke pipe clearances must be at least 18" from combustibles.

A stove will sometimes smoke if lit on a cold or humid day. This smoking should be temporary and will stop when the chimney warms up. If the problem persists see your dealer.

Solutions to the above problem may be:

1. A turbine cap may be needed on the chimney.
2. This stove requires a flue area equal to a 6" diameter. Some flue sizes of older chimneys are

8" x 12", 12" x 12" or as large as 16" x 16" and probably are unlined. These chimneys would take more than one hour to warm up. This type of chimney would probably smoke frequently. The recommended solution would be to reduce the inside flue area by relining the chimney or replacing it.

It is illegal to hook more than one appliance to the same flue as gasses could back up through the appliance that is not in use. For more information on this condition, consult your local Building Inspector or Fire Marshall.

OPERATION OF YOUR ELMIRA STOVE

To operate your stove, with a full charge of wood in the firebox, leave the draft controls completely open for approximately 15 minutes.

After this lapse of time, the draft controls can be set in position for a long burn. It is essential that at least once a day, while the stove is burning, the draft control is opened wide for approximately 15 minutes. This procedure will greatly reduce the possibility of creosote deposits accumulating within the stove and/or stovepipe.

PAINT ODOUR DURING START UP

When first using your stove, the high temperature paint that is used will smoke and give off an odour for several hours. Although this is a temporary condition, windows and/or doors should be opened to give adequate ventilation.

FIREBRICK

The firebox of your Elmira Stove is lined with firebrick which has exceptional insulating properties. Simply build a fire on the firebox floor of your stove.

MAINTENANCE

1. Inspect your chimney frequently for creosote and soot accumulation. Clean your chimney once a year or as often as required.
2. Failure to do so could drastically affect operation and pose a serious safety hazard.
3. Supplied with the stove, is a glass cleaner recommended for the removal of creosote. Follow the directions on the glass cleaner for best results.

The stove is equipped with Corning high temperature Pyroceram glass. This high quality glass has been developed specifically for the high temperatures generated from woodstoves. This glass can be broken only by impact or misuse.

CARE OF THE DOOR FINISH

Your 'ELMIRA STEPSTOVE' has a plated finish applied to the doors.

When the door surface requires cleaning, spray with 'Windex' and wipe with a soft cloth. Do not use polishes as they may contain abrasive agents which will harm the plating. Remembering those few helpful suggestions will ensure a long life under normal conditions.

IMPORTANT PRECAUTIONS

Burn wood only.

Do not store combustible materials within clearances to combustibles.

This heater is hot while in operation. Keep children, clothing and furniture away. This heater is designed to operate with the doors closed only.

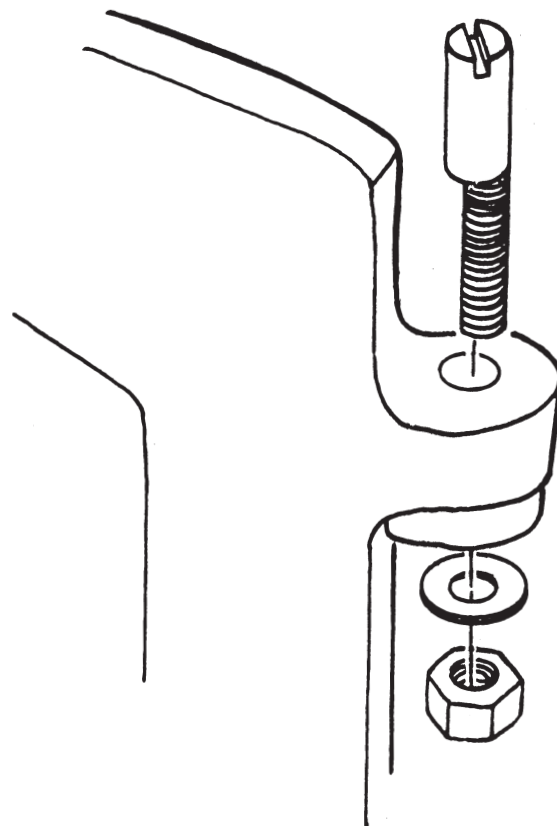
ADJUSTING THE DOORS

Over the years of use, the tolerance on the locking mechanism of the stove may vary. The doors on the Elmira Stepstove may be adjusted by loosening the bolts and adjusting the pins to proper fit as illustrated. (Figure 2)

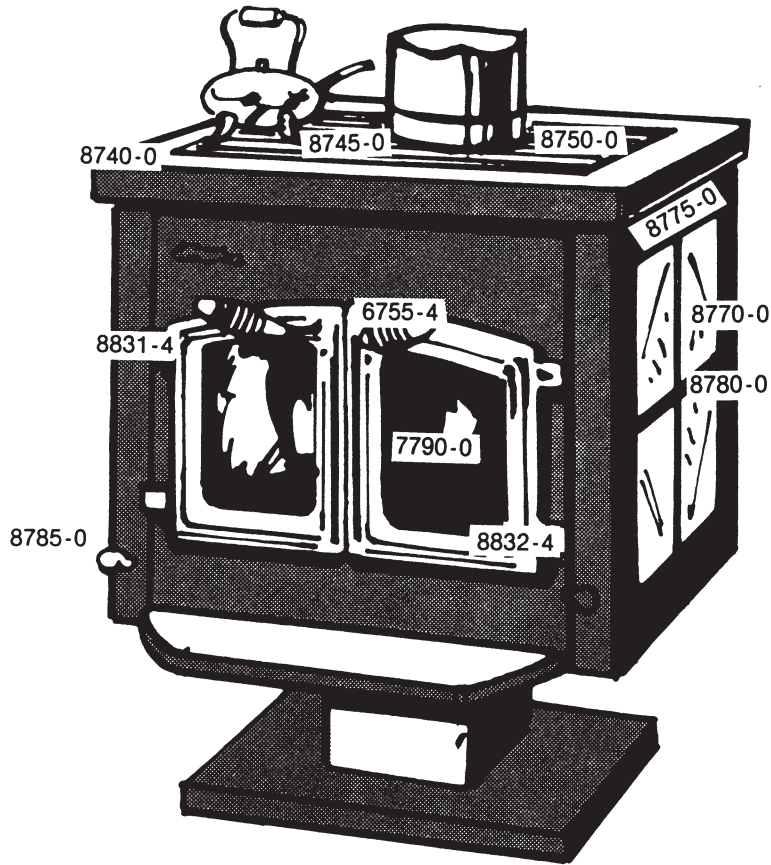
ASH REMOVAL

Remove ashes from the stove by shovelling cold ashes (never hot) into a metal container with a lid. Always treat ashes as if they contain hot coals and store the container on a non-combustible floor away from combustible material pending final disposal.

Save this manual for future reference.

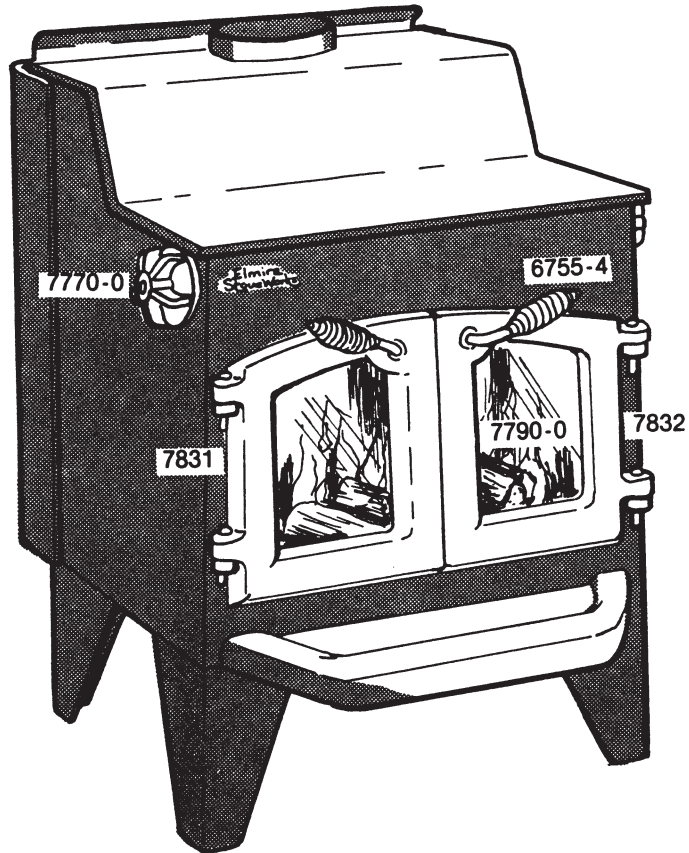


(Fig. 2)



ELMIRA TILESTOVE PARTS CHART

6755 - 4	Gold plated spring handle
7765 - 0	Firebrick set
7790 - 0	Corning Pyroceram glass
8740 - 0	Top grill frame
8745 - 0	Top front grill
8750 - 0	Top back grill
8770 - 0	Decorative Tile 8" x 8"
8775 - 0	Top Tile retainer
8780 - 0	T-section retainer
8785 - 0	Draft control knob
8831 - 4	Left gold plated door
8832 - 4	Right gold plated door
7860 - 0	Tangential blower (Optional)



ELMIRA STEPSTOVE PARTS CHART

6755 - 4	Gold plated spring handle
7770 - 0	Spin draft control knob
7790 - 0	Corning pyroceram glass
7831 - 2	Left black door
7832 - 2	Right black door
7831 - 4	Left gold plated door
7832 - 4	Right gold plated door
7860 - 0	Tangential Blower