

FLUE RING OR COVER PLATE
(MOUNTED ON TOP OR BACK)

OPTIONAL BLOWER*
KT300

*NOT AVAILABLE ON
MODEL CC601.

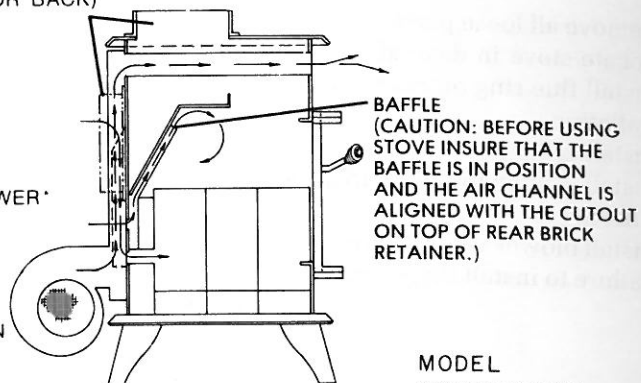


FIGURE 6

MODEL
CC600 SERIES

FLUE RING OR COVER PLATE
(MOUNTED ON TOP OR BACK)

BAFFLE

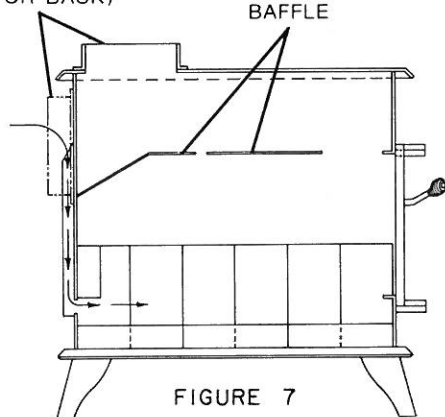


FIGURE 7

MODEL
CC501

OPERATING INSTRUCTIONS

COUNTRY COMFORT stoves are provided with a thermostatically controlled primary air intake damper. The thermostat controls the amount of combustion air to the fire. A wide range of adjustment is possible to suit individual tastes and conditions.

To start the fire, place crumpled newspaper on the grate (on firebrick on models without grate) and cover with kindling wood. Larger sticks should then be placed on the kindling. The CC400T and CC800 Series stoves are designed to also burn coal; it is recommended, however, that the coal shaker grate model be installed if coal is to be used and that the coal is not filled higher than the firebrick. Note: On model CC415T and CC815, coal grate is standard.

Before lighting the paper, be sure the thermostat and flue pipe damper are open. After lighting the paper, close the stove doors. Adjust the thermostatically controlled damper from time to time until the desired comfort is obtained.

NOTE:

Never use gasoline, gasoline-type lantern fuel, kerosene, charcoal lighter fluid, or similar liquids to start or 'freshen up' a fire in this heater. Keep all such liquids well away from the heater while it is in use.

When opening the doors with the stove in operation, the door should be opened one-half inch for approximately fifteen seconds before opening it completely. This will help eliminate the sudden burst of flame caused by introduction of air and will allow smoke to move out of the stove more completely.

SECONDARY AIR

All stove models except the Model CC501 have provisions for secondary air intake. The control for secondary air is located on the rear of the stove and can be manually adjusted to allow preheated air to enter above the fire to help burn off gases and reduce smoke concentration. The setting of the secondary air control will depend on the burning conditions and your personal heat requirements. You will need to experiment with several settings to determine the optimum setting for your stove.

BREAK IN PERIOD

It is possible that the stove may smoke during the first few fires. The first four or five fires should be small and slow fires, this allows the cast iron to cure and the stove metal to temper. Adequate room ventilation should be used in case of smoking.

PREPARING THE STOVE TO HOLD FIRE OVERNIGHT

Fill the stove about one-half to two-thirds full of good properly seasoned wood. Adjust the thermostatically controlled damper to low, adjust the secondary air intake (except Model CC501) to minimum opening. It might be necessary to vary primary or secondary air settings slightly to maintain proper air supply to keep fire burning. As you gain experience with your stove, you will discover the settings which produce the amount of heat and provide the length of burn time best suited for your heating needs.

FUEL

The CC600 Series and CC501 stoves are designed to burn wood only. Do not burn coal or other fuels with these models. The CC400T and CC800 Series are designed to burn wood or coal, it is recommended if coal is to be used, the coal shaker grate model stove be installed.

Anthracite coal, chestnut size is recommended for use in the CC400T and CC800 Series room heaters. It should be stored in a dry place away from the heater while it is in use.

ASHES

The CC400T and CC800 stoves have a removable ash tray. The ashes should not be allowed to build up higher than the sides of the tray. If the coal shaker grate is installed, it is best to shake down the ashes every morning and evening. Shake the grate until live ashes start to fall. Do not shake unburned coals below the grate. It is also advisable to remove the ashes before shaking the grate in order to avoid handling hot coals. When moving the ash tray for ash removal, the stove doors should be open to prevent excessive draft in ash tray area.

CAUTION - KEEP ASH DOOR CLOSED DURING FIRING OF STOVE TO AVOID DEVELOPING EXCESSIVE TEMPERATURES.