

INSTALLATION INSTRUCTIONS

Installation And Operation Instructions

*For Built-In
Unvented Fireboxes*

*UVFR-5000 Series
UVFC-5000 Series
UVFR-5000H Series
UVFC-5000H Series*

CAREFULLY REVIEW THE INSTRUCTIONS SUPPLIED WITH THE DECORATIVE TYPE UNVENTED ROOM HEATER FOR THE MINIMUM FIREPLACE SIZE REQUIREMENT.

DO NOT INSTALL THE APPLIANCE IN THIS FIREBOX, UNLESS THIS FIREBOX MEETS THE MINIMUM DIMENSIONS REQUIRED FOR THE INSTALLATIONS.

WARNING: If the information in this manual is not followed exactly, a fire or explosion may result causing property damage, personal injury or loss of life.

- Do not store or use gasoline or other flammable vapors and liquids in the vicinity of this or any other appliance.

- WHAT TO DO IF YOU SMELL GAS

- Do not try to light any appliance.
- Do not touch any electrical switch; do not use any phone in your building.
- Immediately call your gas supplier from a neighbor's phone. Follow the gas supplier's instructions.
- If you cannot reach your gas supplier, call the fire department.

- Installation and service must be performed by a qualified installer, service agency or the gas supplier.

WARNING: IMPROPER INSTALLATION, ADJUSTMENT, ALTERATION, SERVICE OR MAINTENANCE CAN CAUSE INJURY OR PROPERTY DAMAGE. REFER TO THIS MANUAL. FOR ASSISTANCE OR ADDITIONAL INFORMATION CONSULT A QUALIFIED INSTALLER, SERVICE AGENCY OR THE GAS SUPPLIER.

WARNING: DO NOT BUILD A WOOD FIRE. DO NOT BURN WOOD OR OTHER MATERIAL IN THESE APPLIANCES.

This is an unvented gas-fired heater. It uses air (oxygen) from the room in which it is installed. Provisions for adequate combustion and ventilation air must be provided. Refer to Combustion and Ventilation Air Section, Page 3.

Due to high temperatures, the appliance should be located out of traffic and away from furniture or draperies.

Do not place clothing or other materials on or near this appliance.

IMPORTANT: READ AND UNDERSTAND THESE INSTRUCTIONS COMPLETELY BEFORE INSTALLING YOUR UNVENTED GAS LOG ROOM HEATERS.

PLEASE RETAIN THIS MANUAL FOR FUTURE REFERENCE.

FOR USE ONLY WITH DECORATIVE TYPE UNVENTED ROOM HEATERS.



TABLE OF CONTENTS

Firebox/Log Set Reference Chart	page	2
General Information	page	2
Inventory	page	2
Tools/Building Supplies	page	2
Important Safety Information	page	2
Codes	page	3
Combustion and Ventilation Air	page	3
Location of firebox	page	4
Clearances	page	4
Assembly Steps	page	5
Gas Line Installation	page	5
Firebox Framing	page	6
Firebox Installation	page	6
Firebox Specifications	page	7
Framing Specifications	page	8
Canopy Installation	page	9
Adjustable Canopy	page	9
Forced Air Kit	page	10
Firebox finishes	page	10
Replacement Parts	page	10
Accessories/Components	page	10
Replacement Parts List	page	11
Warranty	page	12

GENERAL INFORMATION

The Built-In Unvented Fireboxes are designed to accept all ANSI Z21.11.2 approved Unvented Gas Log Room Heaters. For the appropriate Unvented Gas Log Room Heater model, refer to the chart below. Refer to the installation instructions provided with the log sets for detailed instructions.

The UVFC-5000 Series are unvented fireboxes. They feature a self-contained heat-circulating system.

Both models come with a Herringbone Refractory Panel Set designated by the "H" suffix to the model numbers.

The UVFR-5000 Series is a conventional radiant-heat unvented firebox.

This installation manual will enable you to obtain a safe, efficient and dependable installation of your room heater system.

Do not alter or modify the firebox or its components under any circumstances. Any modification or alteration of the firebox system, including but not limited to the firebox and accessories, may void the warranty, listings and approvals of this system and could result in an unsafe and potentially dangerous installation.

These Built-In Unvented Fireboxes have been tested and approved as ventless firebox enclosures for Gas Fired Decorative Type Unvented Room Heaters by AGA to 2-97.

Check the inventory list to be sure that you have all the necessary parts in usable condition. Also check for concealed damage.

Inventory

Unvented Gas Firebox
Canopy
Gas Connector Fittings
Installation and Operating Instructions

Tools and Building Supplies Normally Required

Tools Should Include:

Phillips screwdriver
Hammer
Saw and/or sabersaw
Level
Measuring tape
Electric drill and bits
Pliers
Square
Piping complying with local codes
Pipe wrench
Tee joint
Pipe compound

Building Supplies Should Include:

Framing materials
Wall finishing materials
Caulking materials (noncombustible)
Fireplace surround materials (noncombustible)

IMPORTANT SAFETY INFORMATION

INSTALLER: PLEASE LEAVE THESE INSTRUCTIONS WITH THE OWNER.

OWNER: PLEASE RETAIN THESE INSTRUCTIONS FOR FUTURE REFERENCE

IMPORTANT: BEFORE STARTING YOUR FIREBOX INSTALLATION, READ THESE INSTALLATION INSTRUCTIONS CAREFULLY TO BE SURE YOU UNDERSTAND THEM COMPLETELY AND IN ENTIRETY. FAILURE TO FOLLOW THESE INSTRUCTIONS COULD CAUSE A HEATER MALFUNCTION RESULTING IN SERIOUS INJURY AND/OR PROPERTY DAMAGE.

WARNING: THESE BUILT-IN UNVENTED FIREBOXES HAVE ONLY BEEN TESTED AND APPROVED FOR USE WITH ANSI Z21.11.2 UNVENTED GAS LOGS.

DO NOT ATTEMPT TO BURN SOLID WOOD FUELS, OTHER GAS LOG SETS OR ANY OTHER COMBUSTIBLE MATERIALS IN THIS UNVENTED FIREBOX.

**Log Set Sizing Reference Chart
(Shown Sized With Superior Log Sets)**

Unvented Firebox Model	Unvented Room Heater Log Set	
	Natural	Propane (L.P.G)
UVFC-5000	VFGL-24/28MN/VN-3	VFGL-24/28MP/VP-3
UVFR-5000	VFGL-24/28MN/VN-3	VFGL-24/28MP/VP-3

WARNING: ANY CHANGE TO THIS UNVENTED ROOM HEATER CAN BE DANGEROUS. IMPROPER INSTALLATION OR USE OF THIS HEATER CAN CAUSE SERIOUS INJURY OR DEATH FROM FIRE, BURNS, EXPLOSION OR CARBON MONOXIDE POISONING.

Carbon Monoxide Poisoning: Early signs of carbon monoxide poisoning are similar to the flu with headaches, dizziness and/or nausea. If you have these signs, obtain fresh air immediately. Have the Unvented Gas Heater serviced as it may not be operating correctly.

- Due to high temperatures, the firebox should be located out of traffic and away from furniture and draperies.
- Children and adults should be alerted to the hazard of high surface temperature and should stay away to avoid burns or clothing ignition.
- Young children should be carefully supervised when they are in the same room with the heater.
- Do not place clothing or other flammable material on or near the heater.
- Any safety screen or guard removed for servicing the firebox must be replaced and/or closed prior to operating the heater.
- Installation and repair should be done by a qualified service person. The heater should be inspected before use and at least annually by a professional service person. More frequent cleaning may be required due to excessive lint from carpeting, bedding material, etc. It is important that control compartments, burners and circulating air passageways of the heater be kept clean.
- Allow the heater to cool before servicing. Always shut off any electricity or gas to the heater while performing service work.
- Do not install the firebox in a sleeping room or bathroom.
- The installation must conform with local codes or, in the absence of local codes with the National Fuel Gas Code, ANSI Z223.1.
- The appliance and its individual shut-off valve must be disconnected from the gas supply piping system while performing any tests of the gas supply piping system at pressures in excess of ½ psig.

- The heater must be isolated from the gas supply piping system by closing its individual manual shut-off valve during any pressure testing of the gas supply piping system at test pressures equal to or less than ½ psig.

- Keep heater area clear and free from combustible materials, gasoline and other flammable vapors and liquids.

- Do not use this heater if any part has been under water. Immediately call a qualified service technician to inspect the heater and to replace any part of the control system and any gas control which has been under water.

- Ensure that the heater is clean when operating. Excessive dust accumulation on the burner and logs will increase the amount of carbon monoxide formation and could lead to carbon monoxide poisoning and death.

CODES

Adhere to all local codes or in their absence the latest edition of The National Fuel Gas Code ANSI Z223.1 or NFPA54 which can be obtained from The American National Standards Institute, Inc. (1430 Broadway, New York, NY, 10018) or National Fire Protection Association, Inc. (Batterymarch Park, Quincy, MA, 02269).

COMBUSTION AND VENTILATION AIR

Heaters installed in these appliances shall not be installed in a confined space or unusually tight construction unless provisions are provided for adequate combustion and ventilation air.

The National Fuel Gas Code defines a confined space as a space whose volume is less than 50 ft³ per 1,000 BTU/Hr (4.8 m³ per kw) of the aggregate input rating of all appliances installed in that space and an unconfined space as a space whose volume is not less than 50 ft³ per 1,000 BTU/Hr (4.8 m³ per kw) of the aggregate input rating of all appliances installed in that space. Rooms communicating directly with the space in which the appliances are installed, through openings not furnished with doors, are considered a part of the unconfined space.

Unusually tight construction is defined as construction where:

a. wall and ceilings exposed to the outside atmosphere have a continuous water vapor retarder with a rating or one perm or less with openings gasketed or sealed, and

b. weather stripping has been added on operable windows and doors, and

c. caulking or sealants are applied to areas such as joints around window and door frames, between sole plates and floors, between wall-ceiling joints, between wall panels, at penetrations for plumbing, electrical, and gas lines, and at other openings.

Use the following equations to determine if you have a confined or unconfined space.

1. Determine the volume of space — ft³.

Length x Width x Height = _____ ft³
(Include adjoining rooms with doorless passageways or ventilation grills between rooms.)

Example: 24' (L) x 16' (W) x 8' (H) = 3072 ft³

2. Divide the volume of space by 50 ft³ to determine the maximum BTU/Hr the space can support.

_____ (volume of space - ft³) / 50 ft³ =
(Maximum BTU/Hr the space can support)

Example: 3072 ft³ / 50 ft³ = 61.44
or 61,440 BTU/Hr the space can support.

3. Add the BTU/Hr of all the fuel burning appliances in the space.

Vent-Free heater	_____	BTU/Hr
Gas appliance #1*	_____	BTU/Hr
Gas appliance #2	+ _____	BTU/Hr
Total =	_____	BTU/Hr

Example:

Vent-free heater	26,000	BTU/Hr
Gas appliance #1 (water heater)	40,000	BTU/Hr
Total =	66,000	BTU/Hr

* Do not include direct-vent gas appliances. Direct-vent is sealed combustion and draws combustion air from the outdoors.

4. Compare the maximum BTU/Hr the space can support with the actual amount of BTU/Hr used.

_____	BTU/Hr
	(max. the space can support)
_____	BTU/Hr
	(actual amount of BTU/Hr used)

Example:

61,440	BTU/Hr
	(max. the space can support)
66,000	BTU/Hr
	(actual amount of BTU/Hr used)

The space in the above example is a confined space because the actual BTU/Hr used is more than the maximum BTU/Hr the space can support. You must provide additional fresh air.

WARNING: IF THE AREA IN WHICH THE HEATER MAY BE OPERATED IS SMALLER THAN THAT DEFINED AS AN UNCONFINED SPACE OR IF THE BUILDING IS OF UNUSUALLY TIGHT CONSTRUCTION, PROVIDE ADEQUATE COMBUSTION AND VENTILATION AIR BY ONE OF THE METHODS DESCRIBED IN THE NATIONAL FUEL GAS CODE, ANSI Z223.1 1992, SECTION 5.3 OR APPLICABLE LOCAL CODES.

Your options are:

- Rework equations adding the space of adjoining room(s). If the extra volume provides an unconfined space, then remove door or add ventilation grills between rooms. Refer to National Fuel Gas Code, ANSI Z223.1 1992, Section 5.3.
- Vent room directly to the outdoors. Refer to National Fuel Gas Code, ANSI Z223.1 1992, Section 5.3.
- Install a lower BTU/Hr heater, such as a 21,000 BTU/Hr, to make the area an unconfined space.

If the actual BTU/Hr used is less than the maximum BTU/Hr the space can support, then the space is an unconfined space. You will need no additional fresh air ventilation for an unconfined space.

LOCATION OF FIREBOX

Carefully select the best location for installation of your built-in unvented firebox. The following factors should be taken into consideration:

- Clearance to side wall, ceiling, woodwork and windows.
- Location must not be affected by drafts caused by kitchen exhaust fans, return air registers for forced air furnaces/air conditioners, windows or doors.
- Installation must provide adequate ventilation and combustion air.
- Do not install this firebox in a sleeping room or bathroom.
- Location should be out of high traffic areas and away from furniture and draperies due to heat from firebox.

- Never obstruct the front opening of the unvented firebox or restrict the flow of combustion and ventilation air.

- Minimize modifications to existing construction. Refer to *Figure 1* for location suggestions.

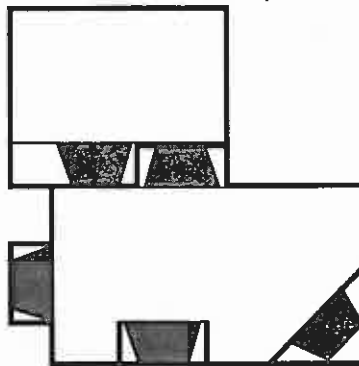
WARNING: MAINTAIN MINIMUM CLEARANCES.

Do not install in the vicinity where gasoline or other flammable liquids may be stored. The unvented firebox must be kept clear and free from these combustible materials.

CAUTION: HEATERS CREATE WARM AIR CURRENTS. THESE CURRENTS MOVE HEAT TO WALL SURFACES NEXT TO HEATER. INSTALLING HEATER NEXT TO VINYL OR CLOTH WALL COVERINGS OR OPERATING HEATER WHERE IMPURITIES IN THE AIR (SUCH AS TOBACCO SMOKE) EXISTS, MAY DISCOLOR WALLS.

WARNING: DO NOT ALLOW FANS TO BLOW DIRECTLY INTO THE FIREPLACE. AVOID ANY DRAFTS THAT ALTER BURNER FLAME PATTERNS.

WARNING: DO NOT USE A BLOWER INSERT, HEAT EXCHANGER INSERT OR OTHER ACCESSORY NOT APPROVED FOR USE WITH THIS FIREPLACE.



Not to Scale

Figure 1

Clearances

WARNING: DO NOT INSTALL THESE BUILT-IN UNVENTED FIREBOXES IN SLEEPING QUARTERS, OR IN RECREATIONAL VEHICLES.

WARNING: DO NOT INSTALL THESE APPLIANCES:

- WHERE CURTAINS, FURNITURE, CLOTHING OR OTHER FLAMMABLE OBJECTS ARE LESS THAN 42" FROM THE FRONT OF THE UNVENTED ROOM HEATER.
- IN HIGH TRAFFIC AREAS.
- IN WINDY OR DRAFTY AREAS.

Ensure the minimum clearances shown in *Figures 2 through 6* are maintained. Left and right clearances are determined when facing the front of the firebox.

Follow these instructions carefully to ensure safe installation. Failure to follow these requirements may create a fire hazard.

Step 1. Sidewall clearances: The sides of the firebox opening must be at least 16" from any combustible wall (*Figure 2*).

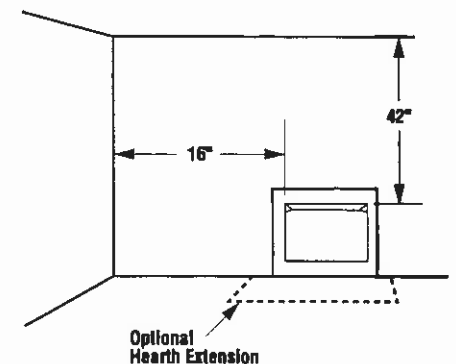


Figure 2

Step 2. Ceiling clearance: The ceiling must be at least 42" from the top of the firebox opening (*Figure 2*).

Step 3. Noncombustible material (minimum requirements) without wood mantel or other combustible projections: To install the firebox without wood mantel, shelf or other combustible projection above firebox opening, at least 12" of noncombustible material must be installed above the fireboxes described in this manual (*Figure 3*).

Noncombustible materials, such as slate and marble, must be at least 1/2" thick.

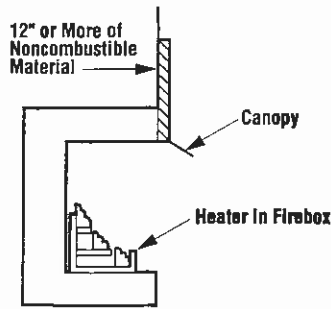


Figure 3

Step 4. Noncombustible material (minimum requirements) with wood mantel or other combustible projections: To install the firebox with a wood mantel, shelf or other combustible projection above firebox opening, at least 12" of noncombustible material must be installed above the fireboxes described in this manual (Figure 4).

Example: The bottom of the mantel may project from the wall a maximum of 2 1/2" at a minimum of 12" above the opening. The top shelf of the mantel may project a maximum of 6" at a minimum of 17 1/2" above the opening.

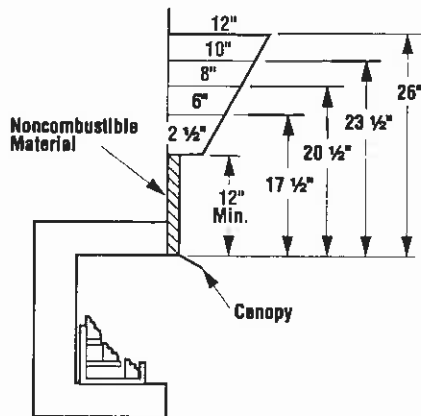


Figure 4

WARNING: THE CANOPY HOOD MUST BE IN PLACE TO BE IN COMPLIANCE WITH THE CLEARANCES SPECIFIED IN FIGURE 4.

DO NOT REMOVE OR REPLACE CANOPY WITH ANY CANOPY SUPPLIED WITH THE UNVENTED ROOM HEATER

If your mantel profile is unsafe, you may either:

- Raise the mantel to an acceptable height, or
- Remove the mantel.

Step 5. Floor clearance: This firebox must be installed at least 5" above any combustible flooring material, such as carpeting or asphalt tile, which is closer than 14" to the base of the firebox (Figure 5).

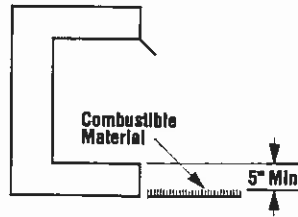


Figure 5

The firebox may also be installed nearer to the floor if a minimum of 14" of noncombustible material such as slate or marble is installed between the base of the firebox and the combustible flooring (Figure 6).

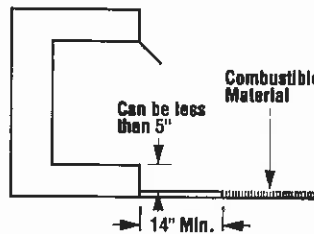


Figure 6

ASSEMBLY STEPS

Note: Illustrations shown in this manual reflect "typical" installations with nominal dimensions and are for design and framing reference only. Actual installations may vary due to individual design preferences. However, always maintain minimum clearances to combustible materials and do not violate any specific installation requirements. Refer to the Framing Specifications Figures on page 7.

The UVFC and UVFR systems consist of three basic "sub-systems":

1. The Firebox
2. The Gas Line
3. The Canopy

Note: The following steps represent the normal sequence of installation. Each installation is unique, however, and might require a different sequence.

Step 1. Position firebox prior to framing or into prepared framing.

Step 2. Field wire main power supply to circulating models for fan kit. (Electrical connections should only be performed by an experienced, licensed/certified tradesman.)

Step 3. Plumb gas line. (Gas connections should only be performed by an experienced, licensed/certified tradesman.)

Step 4. Install unvented gas log room heater per the instructions provided with the unvented room heater.

Step 5. Complete finish wall material, surround and optional hearth extension to your individual taste.

INSTALLATION

Gas Line Installation

CAUTION: PLUMBING CONNECTIONS SHOULD ONLY BE PERFORMED BY A QUALIFIED, LICENSED PLUMBER. MAIN GAS SUPPLY MUST BE OFF WHEN PLUMBING GAS LINE TO FIREPLACE OR PERFORMING SERVICE.

Consult all local codes.

It is recommended that the 1/2" gas line enter the right side of the firebox. Connect the gas line before the firebox is enclosed in the finished wall. The gas knockout is determined by a 1 1/8" round indentation located at the bottom and slightly off center in the side refractories. **THE KNOCK-OUT IS ALWAYS REMOVED FROM INSIDE THE FIREBOX.** If removal is attempted from the outer wrapper, side-refractory damage may occur. With a medium-sized hammer, lightly tap the surface of the indentation. The refractory material is very thin in this area and is easily removed. Once a small hole has been made, continue tapping until you have reached sufficient diameter for the gas line to fit through. The entire knockout does not have to be removed. Remove insulation in the gas line channel.

Install only a 1/2" (1 1/2" max.) inside diameter approved gas line through the firebox wall for connection to the unvented room heater inside the firebox.

Ensure that a sediment trap is installed in the existing gas line, if not, install a sediment trap upstream of the heater to prevent moisture and contaminants from passing through trap to the heater controls and burners. Failure to do so could prevent the heater from operating reliably.

An external regulator must be used on all propane (L.P.G.) heaters, in addition to the regulator fitted to the heater, to reduce the supply tank pressure to 13" w.c. (maximum). Any copper tubing used to supply propane (L.P.G.) from the tank must be internally tinned.

Check Gas Type: The gas supply must be the same as stated on the heater's rating plate. If the gas supply is different, **DO NOT INSTALL** the heater. Contact your dealer for the correct model.

WARNING: CONNECTING DIRECTLY TO AN UNREGULATED PROPANE (L.P.G.) TANK CAN CAUSE AN EXPLOSION.

IMPORTANT: RE-PACK INSULATION MATERIAL IN SQUARE HOLE AROUND GAS LINE, INTERIOR AND EXTERIOR, TO SEAL.

Consult installation and operating instructions for the model of unvented room heater to be installed.

Checking Gas Connections: Test all gas joints from the gas meter to the gas heater regulator for leaks using soap and water solution after completing connection. **DO NOT USE AN OPEN FLAME.**

Firebox Framing

Construct firebox framing following *Figures 11 through 14* and the chart on page 8 for your specific installation requirements. Refer to *Figures 7 through 10* on page 7 for firebox dimensions.

The firebox may be installed directly on a combustible floor or raised on a platform of an appropriate height. Do not place firebox on carpeting, vinyl or other soft floor coverings. It may, however, be placed on flat wood, plywood, particle board or other hard surfaces. Be sure firebox rests on a solid continuous floor or platform with appropriate framing for support and so that no cold air can enter room from under the firebox.

The firebox may be positioned and then the framing built around it, or the framing may be constructed and the firebox positioned into the opening.

Usually, no special floor support is needed for the firebox, however, to be certain:

1. Estimate the total weight of the firebox system and surround materials such as marble, brick, stone, etc., to be installed.
2. Measure the square footage of the floor space to be occupied by the system and surrounds.
3. Note the floor construction, i.e. 2 x 6's, 2 x 8's or 2 x 10's, single or double joists, type and thickness of floor boards.
4. Use this information and consult your local building code to determine if you need additional support.

CAUTION: DO NOT BLOCK THE HEAT-CIRCULATING AIR INLETS AND OUTLETS ON THE VFC AND VFCE MODELS. DOING SO MAY CREATE A POTENTIAL FIRE HAZARD.

If you plan to raise the firebox, build the platform assembly then position firebox on top. Secure the platform to the floor to prevent possible shifting.

Firebox Installation

Note: The firebox must be installed giving full consideration to the clearance and height requirements identified in this manual.

Step 1. Slide the firebox into prepared framing or position firebox in its final position and frame later.

Step 2. Refer to firebox and framing specifications on pages 7 and 8 for framing dimensions and details. Framing header may be positioned directly on the firebox top spacers.

IMPORTANT: UNDER NO CIRCUMSTANCES SHALL THE FIREBOX TOP SPACERS BE REMOVED OR MODIFIED. THE HEADER MAY BE IN DIRECT CONTACT WITH THE TOP SPACERS BUT MUST NOT BE SUPPORTED BY THEM OR NOTCHED TO FIT AROUND THEM.

Step 3. Level the firebox by checking the top edge of the firebox. Shim if necessary.

FIREBOX SPECIFICATIONS

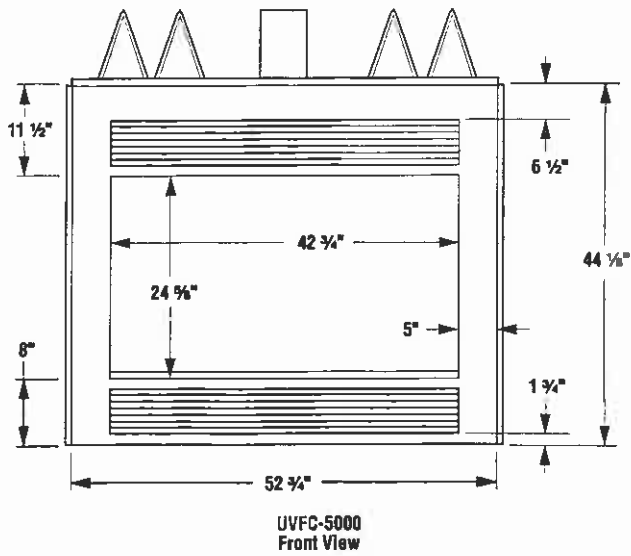


Figure 7

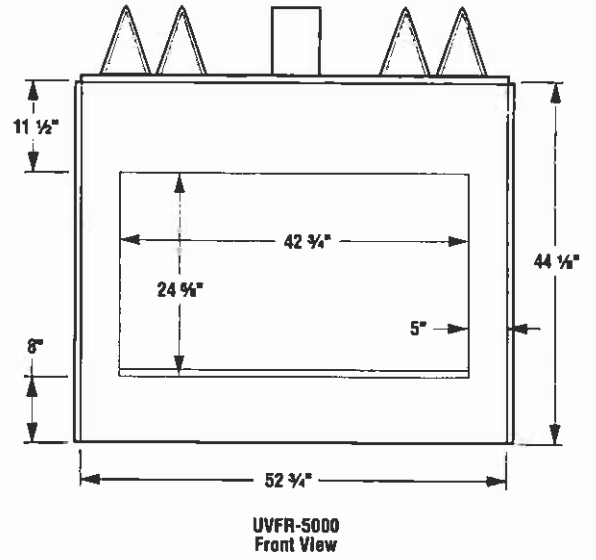


Figure 8

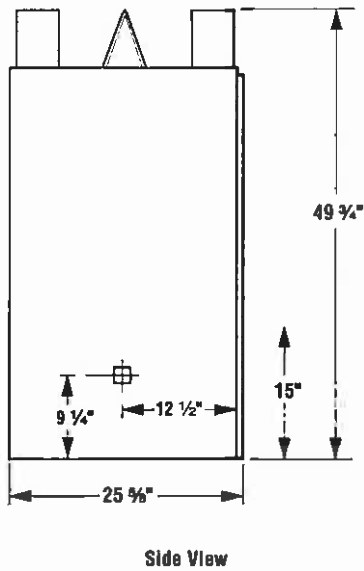


Figure 9

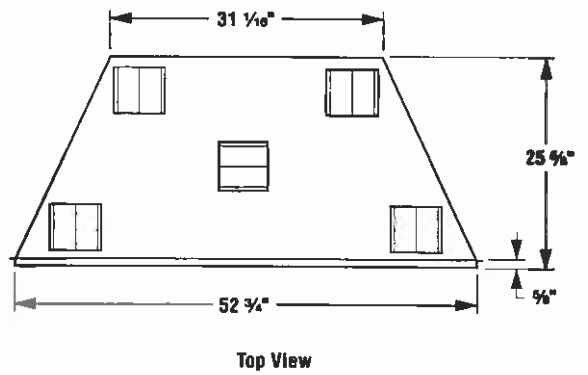


Figure 10

NOTE: DIAGRAMS & ILLUSTRATION NOT TO SCALE.

FRAMING SPECIFICATIONS

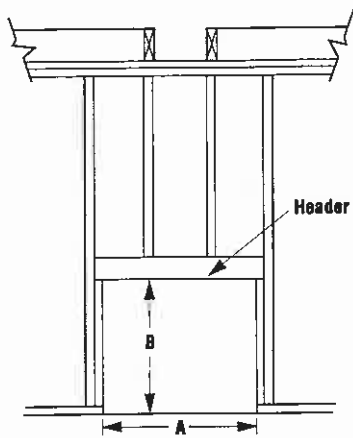


Figure 11

Framing Dimensions	
A	52 7/8"
B	50"
C	31"
D	15 1/2"
E	82"
F	41"
G	25 1/2"
H	8"
J	58"

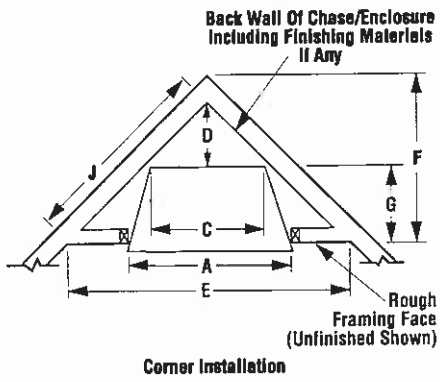


Figure 12

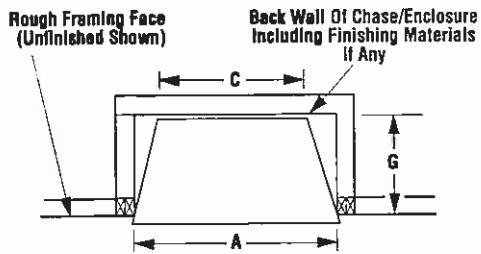


Figure 13

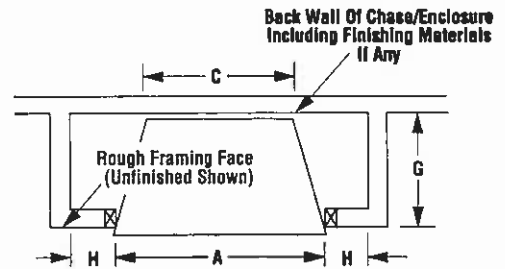


Figure 14

Step 4. Firebox may be anchored to floor. Bend down four (4) anchor tabs located at the base of the firebox and secure to the floor by nailing with 8d nails (*Figure 15*).

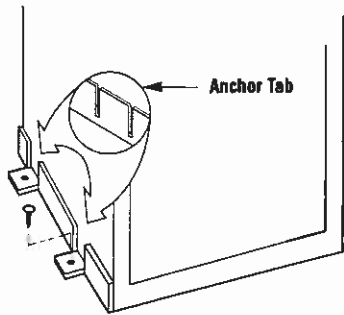


Figure 15

Step 5. Firebox should be secured to side framing members using nailing flanges. Use 8d nails (*Figure 16*).

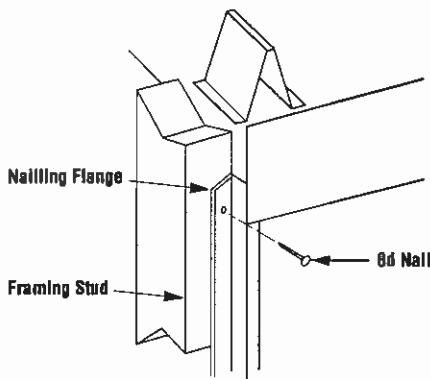


Figure 16

Note: The nailing flange and the area directly behind the nailing flange is exempt from the clearances described on the firebox clearance label.

WARNING: DO NOT PACK OR FILL REQUIRED AIR SPACES WITH INSULATION OR OTHER MATERIAL. NO MATERIAL IS ALLOWED IN THESE AREAS (FIGURES 17 AND 18).

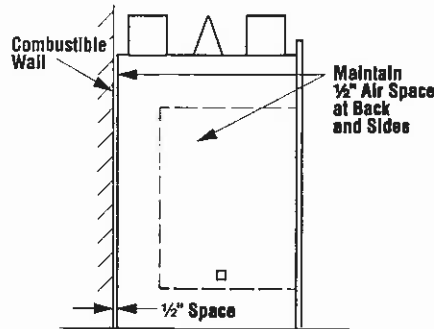


Figure 17

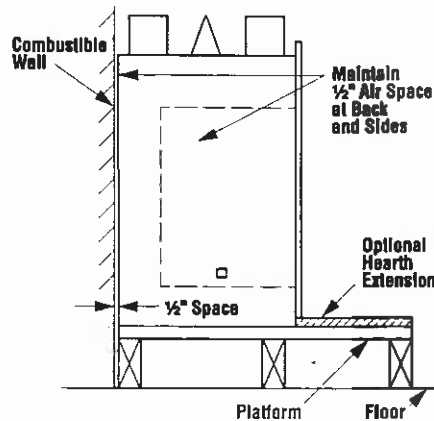


Figure 18

Step 6. The canopy must be installed for safe operation of the heater.

Canopy Installation

The factory-supplied canopy must be installed on the firebox for safe operation. Refer to *Figure 19*.

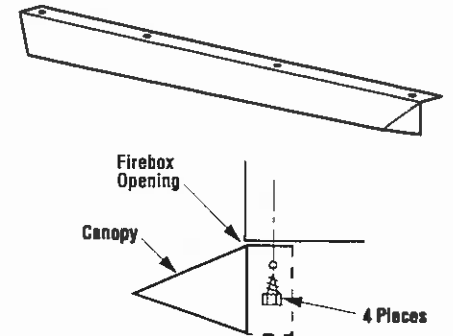


Figure 19

Step 1. Remove the four screws from the top front frame assembly. Also remove the two (2) top screws on the side frames.

Step 2. Align the canopy with the holes in the top frame.

Step 3. Replace the screws previously removed.

Step 4. Tighten side screws. Make sure the canopy is level and secure.

OPTIONAL EQUIPMENT

Forced Air Kit

UVFC-5000 Systems Only

If you are installing the forced air kit, Model FAB-1600, see the installation instructions provided with the kit for electrical wiring requirements (Figure 20). The firebox must be connected to main power supply at time of installation if a forced air kit is to be installed later. The electrical connections must be made before the firebox is framed and enclosed in the finished walls.

This appliance must be electrically grounded in accordance with local codes or, in the absence of local codes, the national electrical code, ANSI/NFPA 70 - (Latest Edition).

CAUTION: ELECTRICAL CONNECTIONS SHOULD ONLY BE PERFORMED BY A QUALIFIED, LICENSED ELECTRICIAN. MAIN POWER MUST BE OFF WHEN CONNECTING TO MAIN ELECTRICAL POWER SUPPLY OR PERFORMING SERVICE.

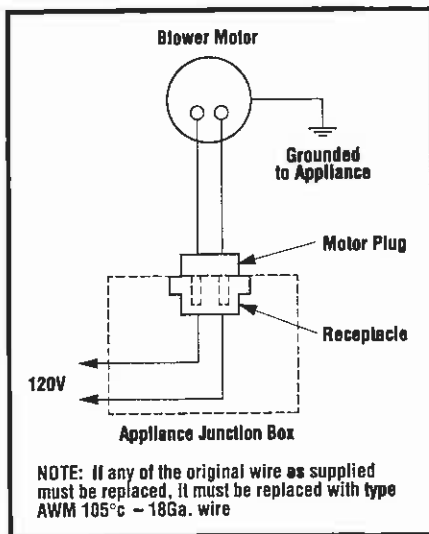


Figure 20

FIREBOX FINISHES

There are a wide variety of "finished looks" for your UVFC and UVFR built-in unvented fireboxes from formal wall decor with elaborate mantels to rustic wood paneling or warm brick facings.

Only noncombustible materials like marble, stone, tile, brick, etc. may overlap the black front facing but be sure not to block the upper or lower grilles. Seal all joints between the black facing and wall surrounds to prevent air intrusion. Use noncombustible caulking material only to seal the black metal facing to the surround material on the finished wall.

REPLACEMENT PARTS

An exploded view of the firebox with numbered parts and a replacement parts list can be found on page 10. Normally, all parts should be ordered through your distributor or dealer. Parts will be shipped at prevailing prices at time of order.

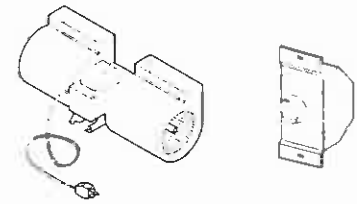
When ordering repair parts, always give the following information:

1. The model number of the firebox.
2. The serial number of the firebox.
3. The part number.
4. The description of the part.
5. The quantity required.
6. The installation date of the firebox.

If you encounter any problems or have any questions concerning the installation of a unvented heater in this system, please contact your distributor. For the name of your nearest distributor contact:

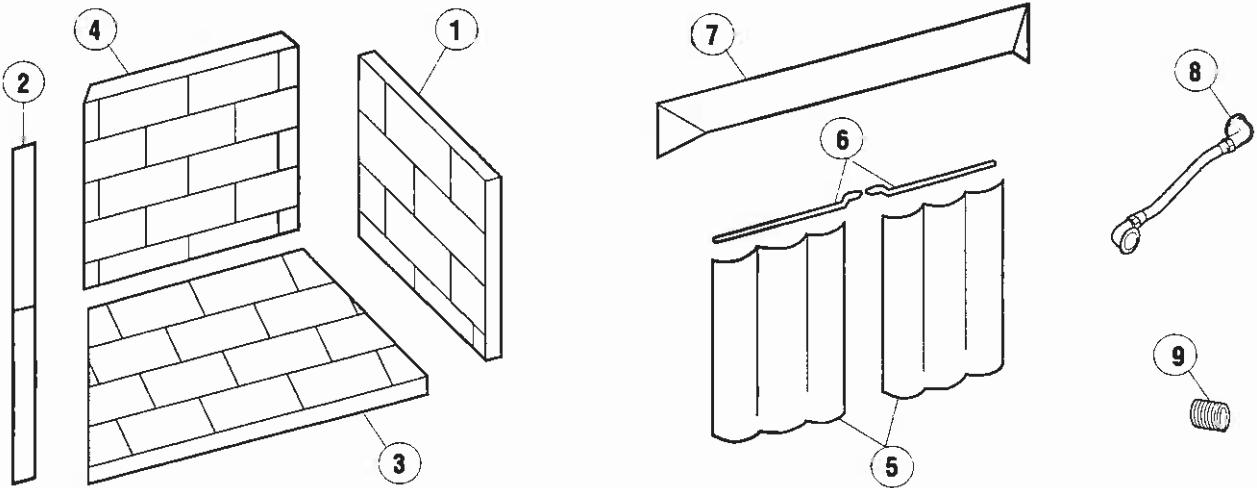
SFC
1110 West Taft Avenue
Orange, California 92865

ACCESSORIES AND COMPONENTS



Forced Air Kit
(Includes Variable
Speed Wall Switch)

FAB-1600



(Standard Refractories Shown)

REPLACEMENT PARTS LIST

No.	Description	UVFC-5000
		Part No.
1.	Side Refractory, Right	043061
	Side Refractory, Right (Herringbone)	126844
2.	Side Refractory, Left	043061
	Side Refractory, Left (Herringbone)	126843
3.	Bottom Refractory	043082
	Bottom refractory (Herringbone)	126852
4.	Rear Refractory	043072
	Rear Refractory (Herringbone)	126832
5.	Screen Panel	093075
6.	Screen Rod (2)	019241
7.	Canopy	054301
8.	Gas Line, 3/8"	096908
9.	Nipple, 3/8"	000802

NOTE: DIAGRAMS & ILLUSTRATION NOT TO SCALE.

Unvented Gas Room Heater Limited Warranty 1 Year

THE WARRANTY

SFC warrants this Unvented Gas Room Heater to be free from defects in materials and workmanship at the time of manufacture.

REMEDY AND EXCLUSIONS

The coverage of this Warranty is limited to all components of the Unvented Gas Room Heater supplied by SFC.

This Warranty only covers SFC Unvented Gas Room Heaters installed in the United States or Canada.

If the Unvented Gas Room Heater covered by this Warranty is found to be defective within one year from the date of installation (see SFC's right of investigation outlined below), SFC will, at its option, replace or repair defective components of the Unvented Gas Room Heater supplied by SFC at no charge and will also pay for reasonable labor costs incurred in replacing or repairing such components. If repair or replacement is not commercially practical, SFC will, at its option, refund the purchase price of the SFC Unvented Gas Room Heater.

This Warranty covers only parts and labor as provided above. In no case shall SFC be responsible for materials, components, or construction which are not manufactured or supplied by SFC, or for the labor necessary to install, repair, or remove such materials, components or construction. All replacement or repair components will be shipped F.O.B. the nearest Superior Fireplace Company factory.

QUALIFICATIONS TO THE WARRANTY

The Unvented Gas Room Heater Warranty outlined above is further subject to the following qualifications:

- (1) The Unvented Gas Room Heater must be installed in accordance with SFC installation instructions and local building codes. The Warranty on this SFC Unvented Gas Room Heater covers only the component parts supplied by SFC. The use of components manufactured by others with this SFC Unvented Gas Room Heater could create serious safety hazards, may result in the denial of certification by recognized national safety agencies, and could be in violation of local building codes. This Warranty does not cover any damages occurring from the use of any components not manufactured or supplied by SFC.
- (2) The SFC Unvented Gas Room Heater must be subjected to normal use. The Unvented Gas Room Heaters are designed to burn either natural or propane gas only. Burning conventional fireplace fuels such as wood, coal, or any other solid fuel will cause damage to the Unvented Gas Room Heater, will produce unsafe levels of carbon monoxide and will result in a fire hazard.

LIMITATION ON LIABILITY

It is expressly agreed and understood that SFC's sole obligation and purchaser's exclusive remedy under this warranty, under any other warranty, expressed or implied, or in contract, tort or otherwise, shall be limited to replacement, repair, or refund, as specified above.

In no event shall SFC be responsible for any incidental or consequential damages caused by defects in its products, whether such damage occurs or is discovered before or after replacement or repair, and whether or not such damage is caused by SFC's negligence. Some states do not allow the exclusion or limitation of incidental or consequential damages, so the above limitation or exclusion may not apply to you. The duration of any implied warranty with respect to this SFC Unvented Gas Room Heater is limited to the duration of the foregoing warranty. Some states do not allow limitations on how long an implied warranty lasts, so the above may not apply to you.

INVESTIGATION OF CLAIMS AGAINST WARRANTY

SFC reserves the right to investigate any and all claims against this Warranty and to decide upon method of settlement.

SFC NOT RESPONSIBLE FOR WORK DONE WITHOUT WRITTEN CONSENT

SFC shall in no event be responsible for any warranty work done without first obtaining SFC's written consent.

DEALERS HAVE NO AUTHORITY TO ALTER THIS WARRANTY

SFC's employees and dealers have no authority to make any warranties nor to authorize any remedies in addition to or inconsistent with those stated above.

HOW TO REGISTER A CLAIM AGAINST WARRANTY

In order for any claim under this Warranty to be valid, SFC must be notified of the claimed defect in writing to SFC, attention Customer Service Department, 1110 West Taft Avenue, Orange, California 92865, as soon as reasonably possible after the defect is discovered. Claims against this Warranty in writing should include the date of installation, product serial number and a description of the defect.

OTHER RIGHTS

This Warranty gives you specific legal rights, and you may also have other rights which vary from state to state.

SFC reserves the right to make changes at any time, without notice, in design, materials, specifications, prices and also to discontinue colors, styles and products. Consult your local distributor for fireplace code information.