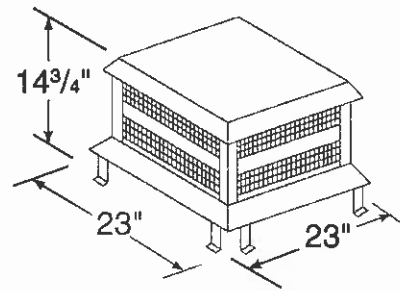
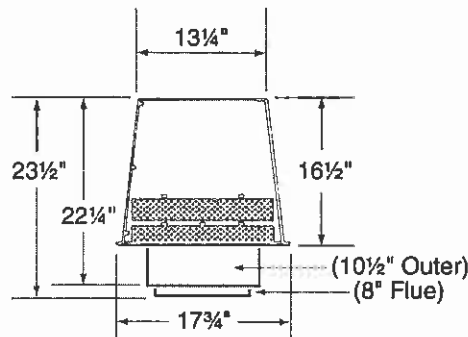


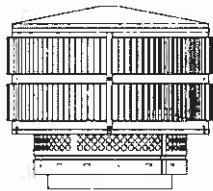
LDS33 (3' x 3')
LDS46 (4' x 6')
Decorative Shroud



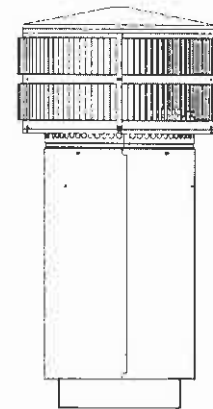
ST375
Square
Termination Cap



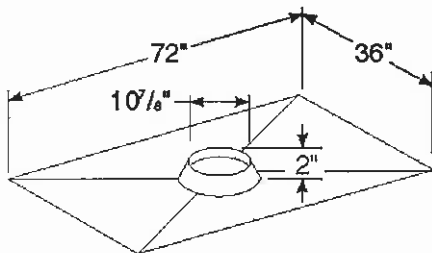
TS345/TS345P
Square
Termination Cap



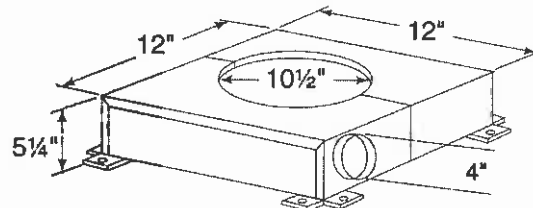
TR344
Round
Termination Cap



TR342
Round Telescoping
Termination Cap



CT35
Chase Top



CAK4A
Chimney Air Kit

The first name in fireplaces

D. PRE-INSTALLATION PREPARATION

1. Fireplace Locations and Space Requirements

Several options are available to you when choosing a location for your fireplace. This fireplace may be used as a room divider, installed along a wall, across a corner or used in an exterior chase. See Figure 2.

Locating the fireplace in a basement, near frequently opened doors, central heat outlets or returns, or other locations of considerable air movement can affect the performance and cause intermittent smoke spillage from the front of the fireplace. Consideration should be given to these factors before deciding on a location.

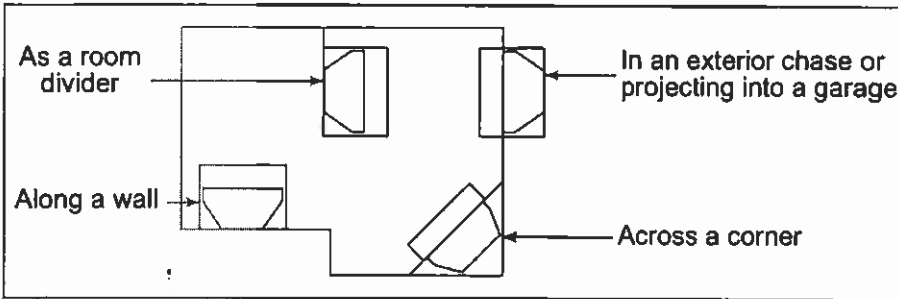


Figure 2 - Fireplace Locations

CLEARANCES!
A minimum 1/2" air clearance must be maintained at the back and sides of the fireplace assembly.
Chimney sections at any level require a 2" minimum air space clearance between the framing and chimney section.

Figures 3 and 4 show two typical installations assuming an outside air kit is being used. Therefore, an allowance must be made for 90° bends. Less space is required when ducting goes directly outside without forming elbows.

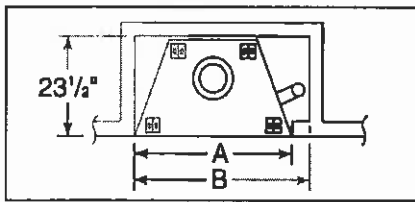


Figure 3

Installation Along a Wall or an Exterior Chase

Cat. #	Without Outside air	With Outside Air
	A	B
EC36	42"	45"
EC39	45"	48"
EC42	48"	51"

These are rough framing dimensions only.

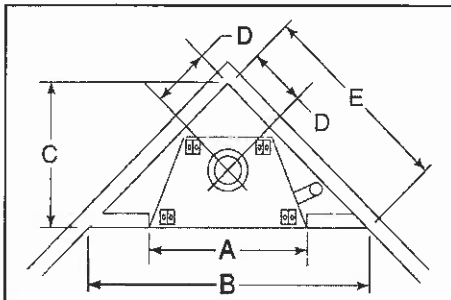


Figure 4 - Corner Installation

Cat. #	With or Without Outside Air				
	A	B	C	D	E
EC36	42"	72 ³ / ₄ "	36 ³ / ₈ "	15 ⁵ / ₈ "	51 ³ / ₈ "
EC39	45"	75 ³ / ₄ "	37 ⁷ / ₈ "	16 ⁵ / ₈ "	53 ¹ / ₂ "
EC42	48"	78 ³ / ₄ "	39 ³ / ₈ "	17 ⁵ / ₈ "	55 ³ / ₈ "

WARNING!

Do not draw outside air from garage spaces. Exhaust products of gasoline engines are hazardous.

Do not install outside air ducts such that the air may be drawn from attic spaces, basements or above the roofing where other heating appliances or fans and chimneys exhaust or utilize air. These precautions will reduce the possibility of fireplace smoking or air flow reversal.

WARNING!

To prevent contact with sagging or loose insulation, the fireplace must not be installed against vapor barriers or exposed insulation. Localized overheating could occur and a fire could result.

2. Framing the Fireplace

The EC Series fireplaces will fit a framed opening with the width shown in the Table below x 40 1/4" tall. The finished cavity depth must be no less than 23 1/2"

Figure 5 shows a typical framing (using 2 x 4 lumber) of the fireplace, assuming combustible materials are used. All required clearances to combustibles around the fireplace must be adhered to. Any framing across the top of the fireplace must be above the level of the top standoffs. Chimney sections at any level require a 2" minimum air space clearance between the framing and chimney section.

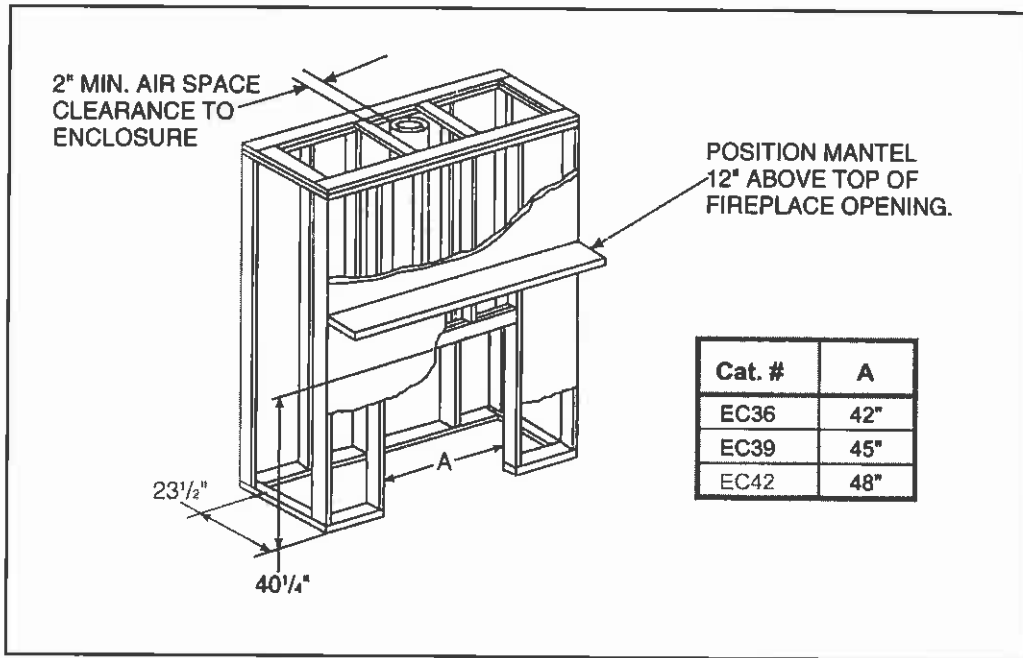


Figure 5
Framing the Fireplace

CLEARANCES!

A minimum 1/2" air clearance must be maintained at the back and sides of the fireplace assembly.

Chimney sections at any level require a 2" minimum air space clearance between the framing and chimney section.

WARNING!

Do not apply combustible finishing materials over any part of the black face of this fireplace or a structure fire may result. The black metal fireplace front may only be covered with noncombustible materials such as ceramic tile, brick, or stone. Do not cover or block any cooling air slots. Do not cover any portion of the opening to the fireplace that would prevent the installation of an authorized glass door.

2. Chimney Height Requirements (above roof line)

- a. Major building codes specify a minimum chimney height above the roof top. These specifications are summarized in what is known as the *Ten Foot Rule*. This rule states:

"If the horizontal distance from the side of the chimney to the peak of the roof is ten feet or less, the top of the chimney must be at least two feet above the peak of the roof, but never less than three feet in overall height above the highest point where it passes through the roof.

"If the horizontal distance from the side of the chimney to the peak of the roof is more than ten feet, a chimney height reference point is established on the surface of the roof a distance of ten feet from the side of the chimney in a horizontal plane. The top of the chimney must be at least two feet above this reference point, but never less than three feet in height above the highest point where it passes through the roof." See Figure 8.

- b. These chimney heights are necessary in the interest of safety but do not ensure smoke-free operation. Trees, buildings, adjoining roof lines, adverse wind conditions, etc. may create a need for a taller chimney should smoking occur.

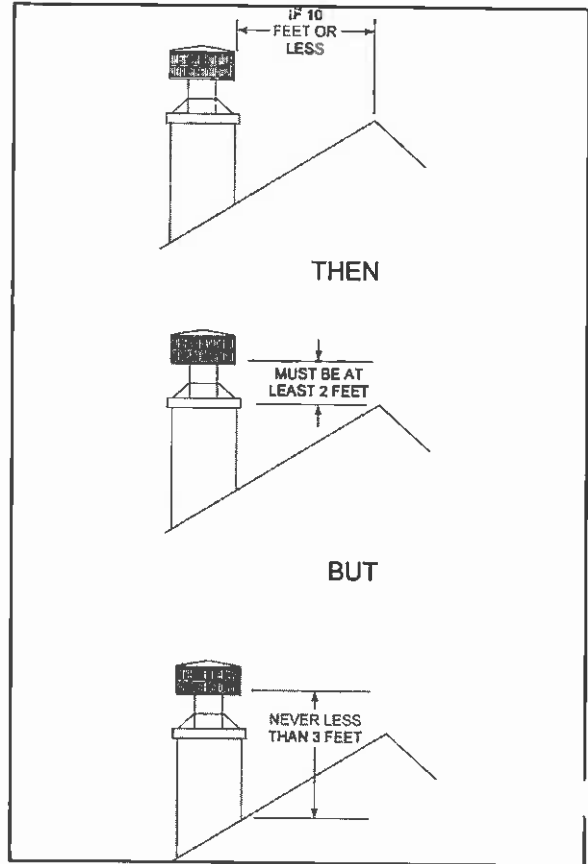


Figure 8 - Chimney Height

3. Number of Sections Required

To determine the chimney components needed to complete your particular installation, follow the steps below:

- a. Determine the total vertical height of the fireplace installation. This dimension is measured from the base of the fireplace assembly to the point where the smoke exits the termination cap.
- b. Subtract the effective height of the fireplace assembly from the overall height of the fireplace installation (measured from the base of the fireplace to the bottom of the termination cap).
- c. Refer to Table 2 to determine what components must be selected to complete the fireplace installation.
- d. Determine the number of firestop spacers, stabilizers, roof flashing, etc. required to complete the fireplace installation.

Table 2

HEIGHT OF CHIMNEY COMPONENTS	
Chimney Stabilizer	
SL3	4 ³ / ₄ "
Firestop Spacers	
FS338	0"
FS339	0"
FS340	0"
Offsets/Returns	
SL315	13 ³ / ₈ "
SL330	14 ¹ / ₂ "
Roof Flashing	
RF370	0
RF371	0
Chimney Sections*	
SL306	4 ³ / ₄ "
SL312	10 ³ / ₄ "
SL318	16 ³ / ₄ "
SL324	22 ³ / ₄ "
SL336	34 ³ / ₄ "
SL348	46 ³ / ₄ "

*Dimensions reflect effective height.

F. INSTALLATION OF FIREPLACE

WARNING!

Before starting, do the following:

1. Wear gloves and safety glasses for protection.
2. Keep hand tools in good condition. Sharpen cutting edges and make sure tool handles are secure.
3. Always maintain the minimum air space required to the enclosure to prevent fire.

1. Positioning the Fireplace

This fireplace may be placed on either a combustible or noncombustible continuous flat surface. Follow the instructions for framing on pages 10-12. Slide the fireplace into position. **Be sure to provide the minimum air clearance at the sides and back of the fireplace assembly.**

2. Placing the Protective Metal Hearth Strips

Included with your fireplace you will find two metal hearth strips measuring approximately 26" x 4". These strips are used to provide added protection where the fireplace and the hearth extension meet.

Slide each metal strip 2" under the front edge of the fireplace. The individual pieces must overlap each other by 1" minimum in the middle of the fireplace to provide continuous coverage of the floor. See Figure 9. These metal strips should extend from the front and sides of the fireplace opening by 2".

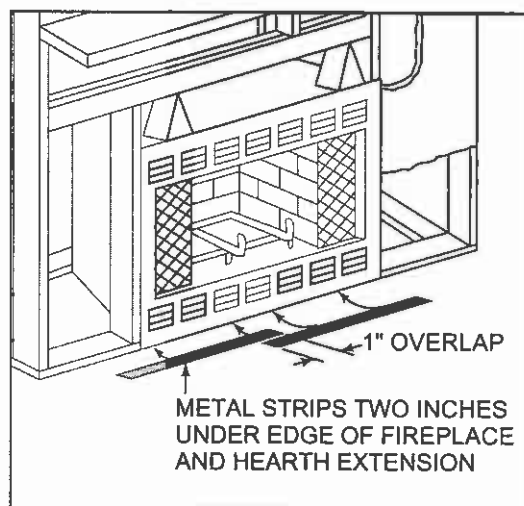


Figure 9 - Positioning the Metal Strips

3. Leveling the Fireplace

Level the fireplace side-to-side and front-to-back. Shim with noncombustible material, such as sheet metal, as necessary. Secure the fireplace (using the nailing flanges located on either side of the fireplace) to the vertical framing.

Important: To ensure proper fit of the glass doors, check the fireplace opening for square. Measure diagonal distances of the opening to make sure they are equal. If they are not equal, continue to shim the fireplace until those diagonals are equal.

The first name in fireplaces

The first name in fireplaces

4. Assembling Chimney Sections

Attach either a straight chimney section or an offset to the top of the fireplace (depending on your installation requirement). Chimney sections are locked together by pushing downward until the top section meets the stop bead on the lower section.

The inner flue is placed to the inside of the flue section below it. The outer casing is placed outside the outer casing of the chimney section below it. See Figure 10.

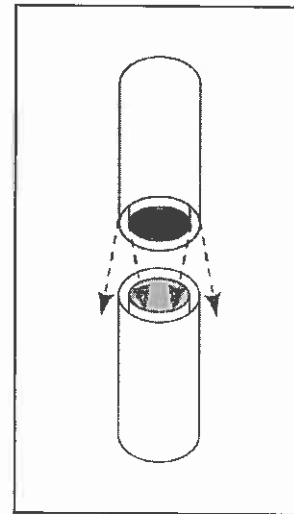


Figure 10
Assembling Chimney Sections

WARNING!

Carefully follow the instructions for assembly of the pipe and other parts needed to install this fireplace system. Failure to do so may result in a fire, especially if combustibles are too close to the fireplace or chimney and air spaces are blocked, preventing the free movement of cooling air.

5. Installing Firestop Spacers

Mark and cut out an opening in the ceiling for the firestop spacer being utilized (14½" x 14½" for an FS338, 14½" x 18¾" for an FS339 and 14½" x 23" for an FS340). Frame the opening with the same dimension lumber used in the ceiling joists. Install the firestop spacer.

These firestop spacers are designed to provide the minimum 2" air space required around the chimney. In all situations, the firestop spacers are to be nailed to the ceiling joists from the bottom or fireplace side, **EXCEPT** when the space above is an insulated ceiling or attic space. In this situation, the firestop spacer **must** be nailed from the top side to prevent loose insulation from falling into the required 2" air space around the chimney. See Figure 11.

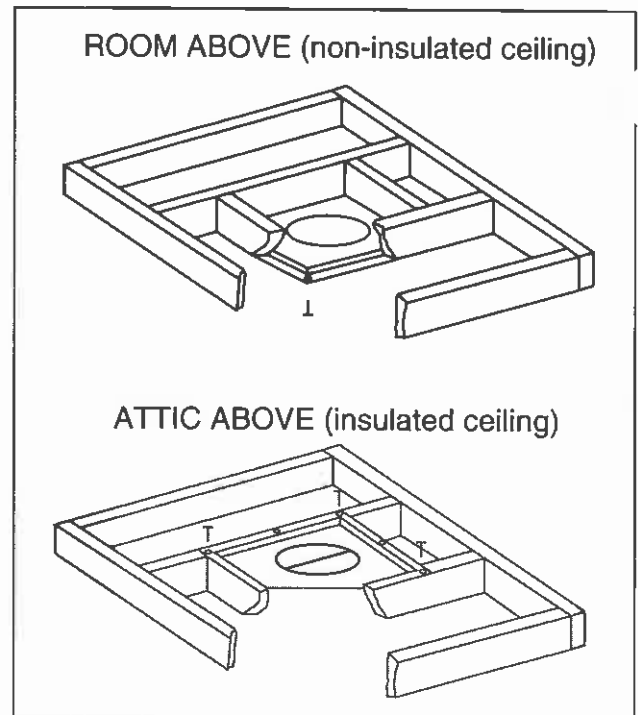


Figure 11
Installing the Firestop Spacer

CAUTION:

Firestop spacers must be used whenever the chimney penetrates a ceiling/floor area.