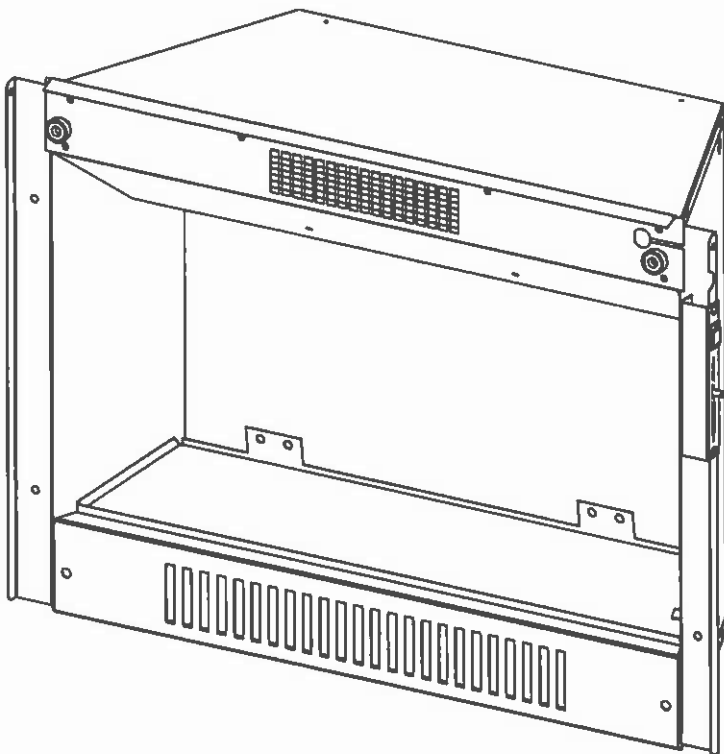


INSTALLATION & OPERATING INSTRUCTIONS

SILHOUETTE SERIES SILH30E ELECTRIC FIREPLACE/INSERT



SAVE THESE INSTRUCTIONS

Note: Read these instructions completely before beginning installation. Failure to follow them could cause an heater malfunction resulting in serious injury and/or property damage.

CAUTION:

Do not expose the heater to the elements (such as rain, etc.).

WARNING!

All electric heaters have hot and arcing or sparking parts inside. Do not use it in areas where gasoline, paint or flammable liquids are or stored. Do not use where the heater may be exposed to flammable vapors.

WARNING!

This heater is tested and listed for use only with the optional accessories listed in these instructions. Use of optional accessories not specifically tested for this heater could void the heater warranty and/or result in a safety hazard.

WARNING!

Improper installation, adjustment, alteration, service or maintenance can cause injury or property damage. Refer to this manual. For assistance or additional information, consult a qualified installer.

WARNING!

Do not modify this heater. Use it only as described in this manual. Any other use not recommended by the manufacturer may result in fire, electric shock or personal injury and void the warranty.

heatilator[®]
The first name in fireplaces

Hearth & Home Technologies Inc.
1915 W. Saunders St., Mt. Pleasant, IA 52641

4038-826 Rev A

Table of Contents

A. Listing Approvals	3
B. Heater Dimensions	3
C. Location and Clearances	4
D. Framing	5
E. Installation	6
F. Wiring	9
G. Finishing	11
H. Final Installation	12
I. Operating Instructions	13
J. Maintenance Instructions	14
K. Troubleshooting	15
L. Optional Components	16
M. Replacement Parts	19
Warranty	24

IMPORTANT INSTRUCTIONS!

When using electrical heaters, basic precautions should always be followed to reduce the risk of fire, electric shock, and injury to persons, including the following:

1. Read all instructions before using this heater.
2. This heater is hot when in use. To avoid burns, do not let bare skin touch hot surfaces. If provided, use handles when moving this heater. Keep combustible materials, such as furniture, pillows, bedding, papers, clothes, and curtains at least 1 ft (.31m) from the front of the heater and keep them away from the sides and rear.
3. Extreme caution is necessary when any heater is used by or near children or invalids and whenever the heater is left operating and unattended.
4. Always unplug heater when not in use.
5. Do not operate any heater with a damaged cord or plug or after the heater malfunctions, has been dropped or damaged in any manner. Return heater to authorized service facility for examination, electrical or mechanical adjustment, or repair.
6. Do not use outdoors.
7. This heater is not intended for use in bathrooms, laundry areas and similar indoor locations. Never locate heater where it may fall into a bathtub or other water container.
8. Do not run cord under carpeting. Do not cover cord with throw rugs, runners, or the like. Arrange cord away from traffic area and where it will not be tripped over.
9. To disconnect heater, turn controls to "OFF", then remove plug from outlet.
10. Do not insert or allow foreign objects to enter any ventilation or exhaust opening as this may cause an electric shock or fire, or damage the heater.
11. To prevent a possible fire, do not block air intakes or exhaust in any manner.
12. A heater has hot and arcing or sparking parts inside. Do not use it in areas where gasoline, paint, or flammable liquids are used or stored.
13. Use this heater only as described in this manual. Any other use not recommended by the manufacturer may cause fire, electric shock, or injury to persons.
14. Avoid the use of an extension cord because the extension cord may overheat and cause a risk of fire. However, if you have to use an extension cord, the cord shall be No. 16 AWG minimum size and rated not less than 1875 watts.
15. Always use properly grounded fused and polarized outlets.
16. Always use ground fault protection where required by electrical code.
17. Always disconnect power before performing any cleaning, maintenance or relocation of the heater.
18. To prevent a possible fire, do not burn wood or other materials in this heater.
19. To prevent electric shock or fire, always use a certified electrician should new circuits or outlets be required.
20. When transporting or storing the heater, keep in a dry place free from excessive vibration and store as to avoid damage.
21. SAVE THESE INSTRUCTIONS FOR FUTURE REFERENCE.

A. LISTING APPROVALS

U.S. And Canada Certification

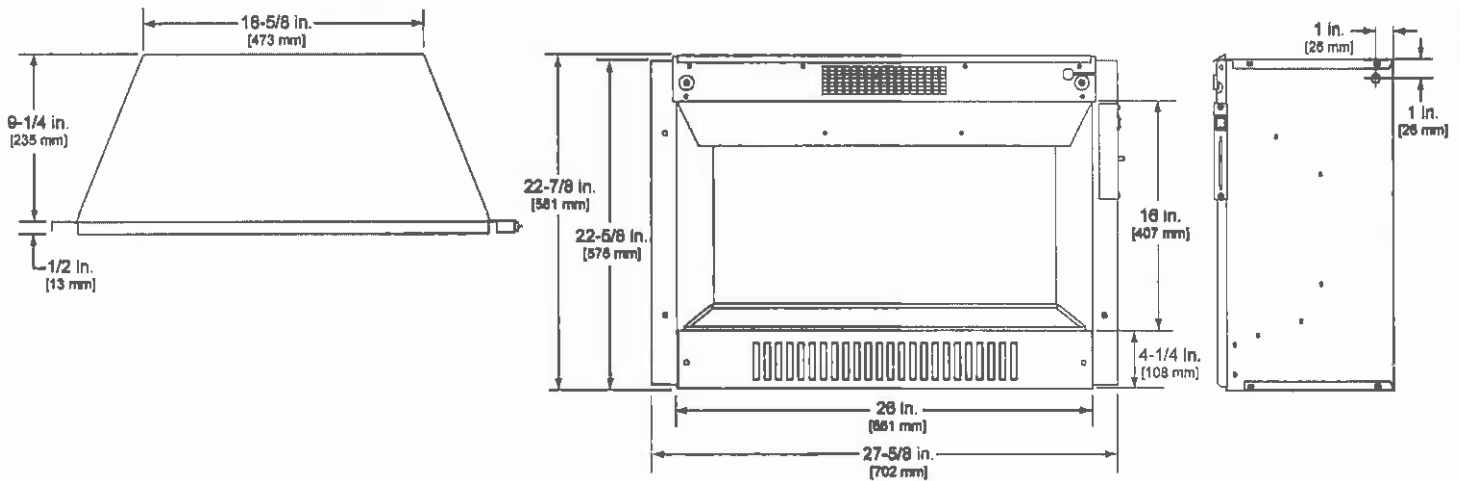
The Silhouette Series heater has been tested in accordance with the UL2021 Standards for fixed and location-dedicated electric room heaters in the United States, the current CSA C22.2 NO. 46 in Canada and has been listed by Underwriters Laboratories Inc. for installation as described in this manual. All components are UL or CSA safety certified.

If you need assistance during installation, please contact your local dealer or the Heatilator Technical Services Department at 1-800-927-6841.

Heatilator ® is a registered trademark of Hearth & Home Technologies Inc.

MODEL	Description	Voltage	Watts	Amps (120/208/240)
SILH30E	26 in. fireplace/insert	120	1500	12.5

B. HEATER DIMENSIONS



C. LOCATION AND CLEARANCES

WARNING!

Due to high temperatures, this heater should be located out of traffic. Keep combustible materials such as furniture, pillows, bedding, papers, clothes and curtains at least 1 ft [.31M] from the front of the heater.

WARNING!

Never locate this heater where it may fall into a bathtub or other water container.

Note: Minimum and maximum clearances must be maintained at all times. Illustrations throughout these instructions reflect typical installations and are for design purposes only. Actual installation may vary slightly due to individual design preferences.

The illustrations and diagrams used throughout these installation instructions are not drawn to scale.

CAUTION:

Do not expose the heater to the elements (such as rain, etc.).

WARNING!

To prevent contact with sagging or loose insulation, the heater must not be installed against vapor barriers or exposed insulation. Localized overheating could occur and a fire could result.

1. Heater Locations and Space Requirements

Figure 1 illustrates a variety of ways the heater may be located in a room. The Silhouette Series heater may be installed directly on the floor, carpet or raised on a hearth.

2. Clearances

Figure 1 shows all clearances that must be maintained around the heater.

CAUTION:

Wear gloves and safety glasses for protection during installation and maintenance.

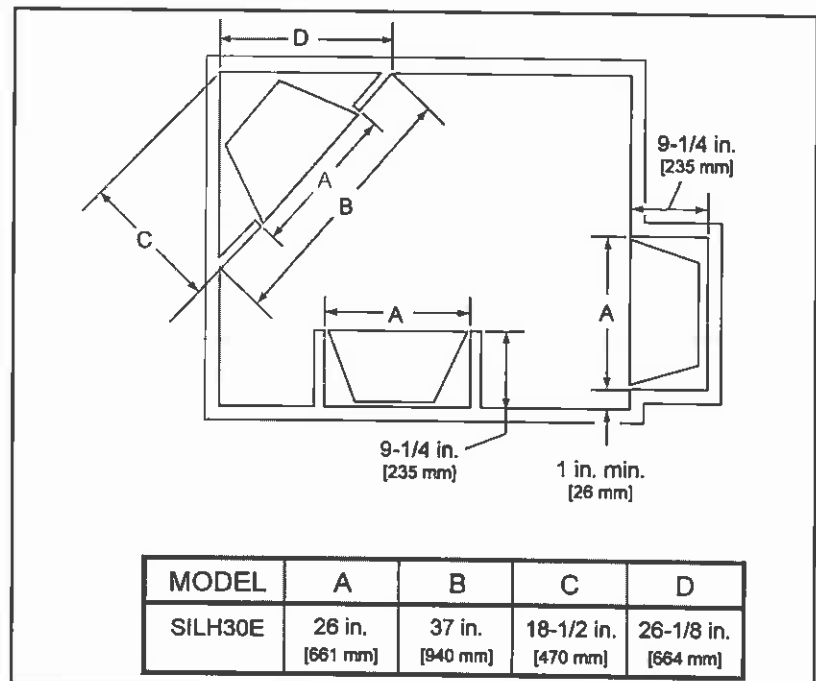


Figure 1 - Heater Locations

D. FRAMING

Figure 2 shows a typical framing of this heater using combustible materials. All required clearances to combustibles must be adhered to. Header height is measured from the base of the heater.

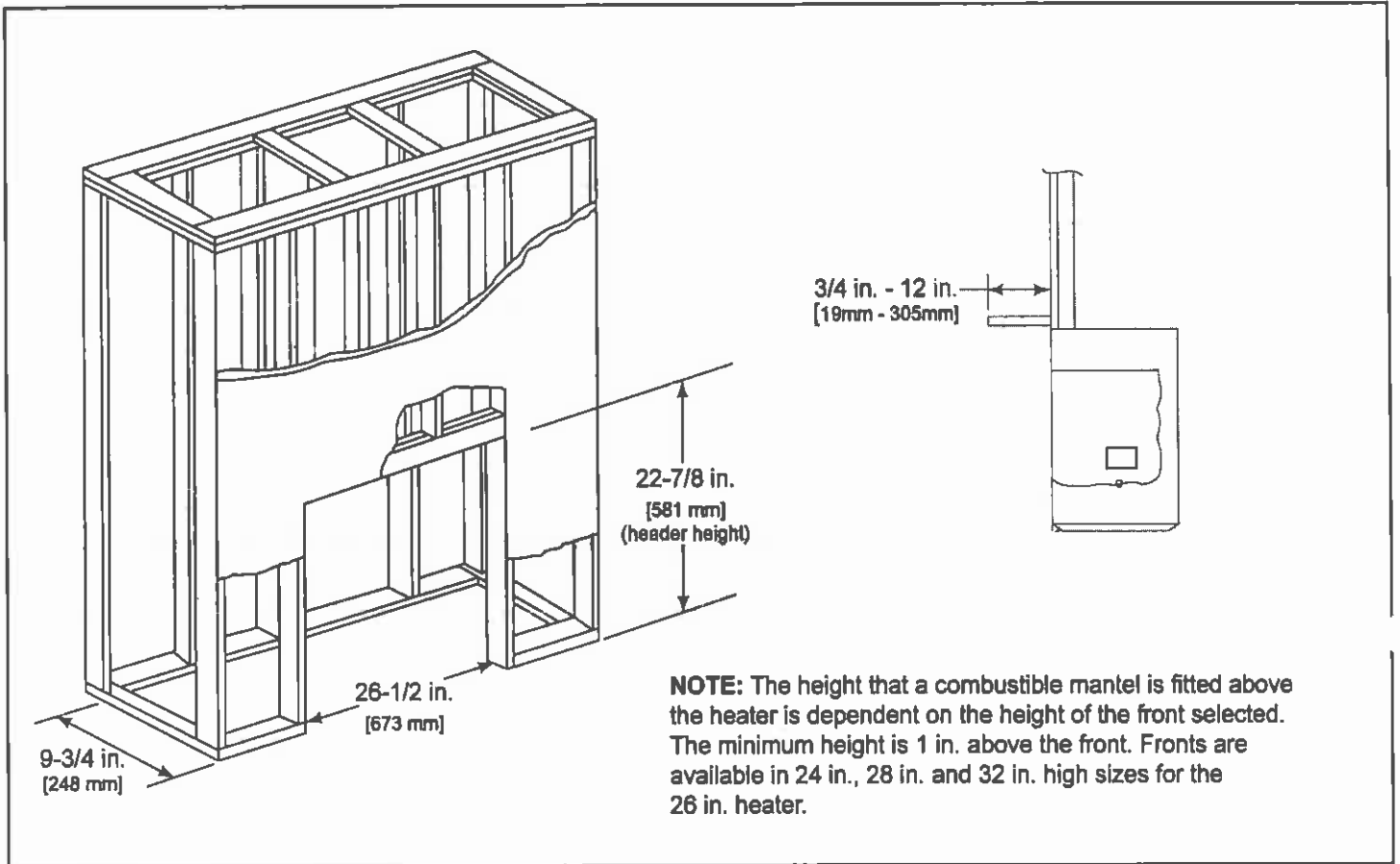


Figure 2 - Framing

CAUTION:

Provide adequate clearances around the air openings and adequate accessibility clearances for servicing and proper operation.

Tools and building supplies normally required for installation:

Tools:

Saw
Pliers
Hammer
Phillips screwdriver
Tape measure
Level
Electric drill/bits
Square
Gloves

Building Supplies:

Wall-finishing materials
Framing material
Surround
Caulking material

E. INSTALLATION

WARNING - RISK OF FIRE!

The power cord must not be pinched or against a sharp edge. Secure cord to avoid tripping or snagging to reduce the risk of fire, electric shock or personal injury.

Do not run cord under carpeting. Do not cover cord with throw rugs, runners or the like. Arrange cord away from traffic areas and where it will not be tripped over.

WARNING - RISK OF FIRE!

To prevent a possible fire, do not block air intake or exhaust in any manner. Do not use on soft surfaces (like a bed) where openings may become blocked.

WARNING!

This heater is tested and listed for use only with the approved optional accessories. Use of optional accessories not specifically tested for this heater could void the heater warranty and/or result in a safety hazard.

CAUTION:

When transporting or storing this heater and cord, keep in a dry place that is free from excessive vibration. Store so as to avoid damage.

WARNING - RISK OF FIRE!

Do not blow or place insulation against the firebox.

WARNING!

If the information in these instructions is not followed exactly, a fire or explosion may result causing property damage, personal injury or death.

Do not store or use gasoline or other flammable vapors and liquids in the vicinity of this or any other heater.

1. As a Fireplace (see Step 2 for installation as an insert)

Select a suitable location that is not susceptible to moisture and is away from drapes, furniture and high traffic areas.

Note: Follow all national and local electrical codes.

a. Wall Cabinet Kit, Corner Cabinet Kit or Custom Cabinet Installation

The Cabinet must provide access to the wall outlet.

- 1) For ease of electrical hookup, you may wish to install the heater near an existing outlet. A 15 amp, 120 volt circuit is required. A dedicated circuit is preferred but not essential in all cases. A dedicated circuit will be required if, after installation, the circuit trips or fuse blows on a regular basis while the heater is operating. Additional heaters on the same circuit may exceed the current rating of the circuit breaker.
- 2) If using a wall cabinet or corner cabinet, refer to the installation instructions supplied with the kit. For custom cabinets, frame and construct with the opening and depth dimensions listed in Figures 1 and 2.
- 3) Before plugging the heater into the wall outlet, make sure all control switches are in the "OFF" position.
- 4) Before finishing the cabinet, the heater must be set into the cabinet and the power cord routed to the electrical outlet. If the power cord does not reach the outlet, a No. 16-AWG minimum wire size extension cord rated for a minimum of 1875 watts may be used.
- 5) To complete the heater installation, refer to Section "H. Final Installation".

b. Non-Cabinet or Chase Installation

- 1) Follow recommended framing dimensions in Figures 1 and 2.
- 2) Set the heater into the framed opening. Secure the heater in place using the nailing flanges on both sides of the heater and nail to the framing.
- 3) To finish out the heater, follow the instructions found in Section "G. Finishing".
- 4) To complete heater installation, see Section "H. Final Installation".

c. Proceed to Step 3.

2. As an Insert

a. Pre-Installation Preparation

This Insert and its components are tested and safe when installed in accordance with this manual. Report to your dealer any parts damaged in shipment, particularly the condition of the glass. **Do not install any heater with damaged, incomplete or substitute parts.**

The front faces are shipped in separate packages. **Read all of the instructions before starting the installation. Follow these instructions carefully during the installation to ensure maximum safety and benefit. Failure to follow these instructions will void the owner's warranty and may present a fire hazard.**

The warranty will be voided by, and Heatilator disclaims any responsibility for, the following actions:

- 1) Installation of any damaged heater.
- 2) Modification of the heater.
- 3) Installation other than as instructed by Heatilator.
- 4) Installation and/or use of any component part not manufactured and approved by Heatilator not withstanding any independent testing laboratory or other party approval of such component part or accessory.

Any such action may possibly cause a fire hazard.

b. Installation

- 1) Heatilator inserts are designed for installations into solid fuel masonry or factory built noncombustible fireplaces that have been installed in accordance with the national, provincial, state or local building codes.
- 2) Minimum fireplace opening requirements are shown in Figure 2 of this installation manual. The firebrick (refractory) can be removed from a factory built fireplace in order to gain minimum insert opening requirements.
- 3) This insert requires no hearth extensions. Combustible material on the floor may be installed up to the insert. Do not obstruct the lower grill of the insert. The original fireplace cannot be returned to solid fuel in this condition.
- 4) The metal floor of the solid fuel firebox may be removed to facilitate the installation of the insert. The side walls and top structure of the firebox may not be altered with the exception of removable baffles and dampers. The original fireplace cannot be returned to solid fuel in this condition.
- 5) Position, Level and Secure Insert
 - a) Place the heater into position.
 - b) Level the heater from side to side and from front to back.
If necessary, use the leveling bolts included in the manual bag. Screw the legs into the nuts installed in the bottom of the insert. Turn legs in until the insert is level.
 - c) A retaining method may be needed to secure the heater in place.

- 6) Combustible facing material may be installed over the original combustible or noncombustible facing material on the solid fuel fireplace. The original specified clearances of a factory-built fireplace must be maintained, with the exception of the hearth. Clearances on a masonry fireplace must be maintained at 12 in. from the opening for combustible projections over 1-1/2 in. Clearances for combustible projections under 1-1/2 in. must be maintained per NFPA 211. Plan the surround size accordingly. A front face must be used with the insert.
- 7) The insert front face is tested and approved with this insert and may cover existing air circulation vents or grilles on the solid fuel fireplace it is installed into. Should the face not cover the entire ventilation grille surface, the grille should be left open.
- 8) The solid fuel fireplace's flue damper must be fully locked in the closed position or removed for installation.
- 9) The chimney must be capped.
- 10) Install the insert without the front face and make all electrical connections.

Note: Decorative trim front faces have been tested and approved to cover existing air circulation vents or grills.

WARNING:

THE SOLID FUEL/GAS FIREPLACE HAS BEEN CONVERTED FOR USE WITH AN ELECTRIC INSERT AND CANNOT BE USED FOR ORIGINAL FUELS UNLESS ALL ORIGINAL PARTS HAVE BEEN REPLACED AND THE FIREPLACE HAS BEEN REAPPROVED BY THE AUTHORITY HAVING JURISDICTION.

Note: The warning label above, located in the instruction package, must be affixed to the lower back wall of the existing fireplace prior to installation of the insert.

CAUTION:

To avoid downdrafts, moisture and/or cold air problems, we recommend that you seal **off the area between the termination cap and the top of the existing chimney opening.**

Note: When the front is installed it will cover the gap between the heater and the framing, cabinet, finishing materials or existing fireplace.

F. WIRING

Note: This heater must be electrically wired and grounded in accordance with local codes or, in the absence of local codes, with National Electric Code ANSI/NFPA 70-latest edition or the Canadian Electric Code, CSA C2.1 as appropriate.

CAUTION:

Label all wires prior to disconnection when servicing controls. Wiring errors can cause improper and dangerous operation. Verify proper operation after servicing.

All wiring must be done by a qualified electrician. Use appropriate wire to meet local and national codes for rated power consumption.

1. Fireplace

- a. The heater is wired from the factory with a polarized plug. No provisions have been made for hard wiring.
- b. For ease of electrical hook up, you may wish to install the heater near an existing outlet. A 15 amp, 120 volt circuit is required. A dedicated circuit is preferred but not essential in all cases. A dedicated circuit will be required if, after installation, the circuit trips or fuse blows on a regular basis when the heater is operated. Additional appliances on the same circuit may exceed the current rating of the circuit breaker.
- c. Before plugging the heater into the wall outlet, make sure the control switch is in the "OFF" position.
- d. If the cord does not reach the outlet, a No. 16-AWG minimum wire size extension cord rated for a minimum of 1875 watts may be used.

Note: Electrical wiring must be installed by a licensed electrician.

CAUTION:

Disconnect remote controls if you are absent for extended periods of time. This will prevent accidental operation of the heater.

2. Insert

Heater Requirements

This heater requires 110-120VAC to operate. Run the cord out the notch in the front face and plug into a convenient outlet. If permitted by local codes, an electrician may install an outlet box inside the existing fireplace. Place the outlet in the lower back of the firebox.

CAUTION:

Label all wires prior to disconnection when servicing controls. Wiring errors can cause improper and dangerous operation. Verify proper operation after servicing.

WARNING!

Always use properly grounded, fused and polarized outlets. Always use ground fault protection where required by electrical code.

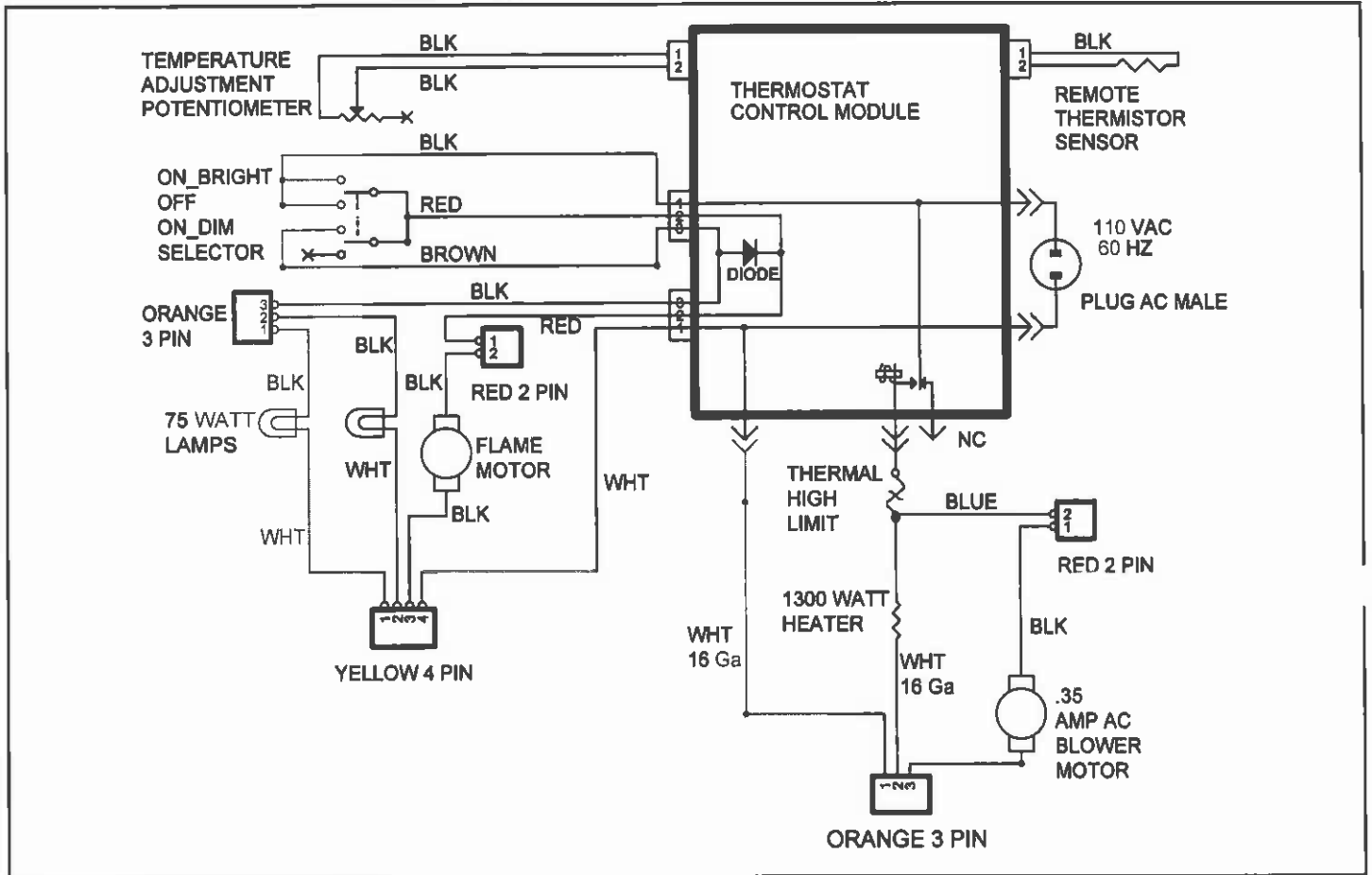


Figure 3 - 110V/120V Wiring Diagram

G. FINISHING

1. Combustible Finishing Material

Materials made of or surfaced with wood, compressed paper, plant fibers, plastics or any material capable of igniting and burning, whether flame proofed or not, plastered or unplastered (this includes drywall).

2. Noncombustible Finishing Material

Materials which will not ignite and burn. Such materials are those consisting entirely of steel, iron, brick, tile, concrete, slate, glass or plasters or combinations thereof, or have a UL Fire rating of Zero (0).

WARNING!

Grilles on this heater cannot, in any way, be covered as it may create a fire hazard.

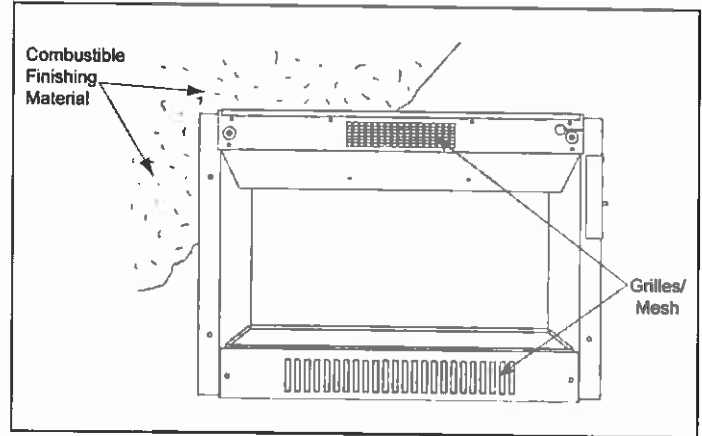


Figure 4 - Finishing Materials

3. Finishing Checklist

- a. Power supply service must be completed prior to finishing to avoid reconstruction.
- b. Grilles and air openings cannot be covered in any circumstances.

Note: The heater is a zero clearance fireplace and may be finished with combustible or noncombustible finishing materials.

When using paint or lacquer to finish the mantel, they must be heat-resistant to prevent discoloration.

Note: Finishing materials are normally installed behind the nailing flanges or up to the sides of the nailing flanges. Allow room for the front to be added and the heater to be anchored.