



heatilator®

The first name in fireplaces

Hearth & Home Technologies-Mt. Pleasant
1915 W. Saunders Street
Mt. Pleasant, Iowa 52641
Division, HON INDUSTRIES
www.heatilator.com

INSTALLATION & OPERATING INSTRUCTIONS

CALIBER DIRECT VENT GCDC60/80 DECORATIVE GAS APPLIANCE



Meets All HUD Requirements for Manufactured Housing Installations.

WARNING: If the information in this manual is not followed exactly, a fire or explosion may result causing property damage, personal injury or loss of life.

- Do not store or use gasoline or other flammable vapors and liquids in the vicinity of this or any other appliance.
- What to do if you smell gas
 - Do not try to light any appliance.
 - Do not touch any electrical switch; do not use any phone in your building.
 - Immediately call your gas supplier from a neighbor's phone. Follow the gas supplier's instructions.
 - If you cannot reach your gas supplier, call the fire department.
- Installation and service must be performed by a qualified installer, service agency or the gas supplier.

WARNING!

DO NOT use this appliance if any part has been under water. Immediately call a qualified service technician to inspect the appliance and to replace any part of the control system and any gas control which has been under water.

Read these installation instructions completely before beginning installation. Failure to follow them could cause an appliance malfunction resulting in serious injury and/or property damage.

WARNING!

Improper installation, adjustment, alteration, service or maintenance can cause injury or property damage. Refer to this manual. For assistance or additional information, consult a qualified installer, service agency or the gas supplier.

Table of Contents

A. Appliance Specifications & Certifications	3
Nomenclature	5
B. Location and Clearances	6
C. Framing	7
D. Setting the Appliance	7
E. Venting	8
F. Utilities	20
G. Finishing	23
H. Appliance Preparation	24
I. Determine the Ignition	26
J. Lighting Instructions	26
K. Seasonal Checklist	28
L. Start-up Issues	29
M. Maintenance instructions	30
N. Optional Components	32
O. Replacement Parts	34
Index	35
Warranty	36

WARNING!

DO NOT use this appliance if any part has been under water. Immediately call a qualified service technician to inspect the appliance and to replace any part of the control system and any gas control which has been under water.

SAFETY PRECAUTIONS

1. Please read these installation instructions completely before beginning installation procedures. Failure to follow them could cause an appliance malfunction resulting in serious injury and/or property damage.
2. Always check your local building codes prior to installation. This installation must comply with all local, regional, state and national codes and regulations.
3. Installation and repair should be done by a qualified service person. This appliance should also be inspected annually by a qualified service person. More frequent inspections/cleaning may be required due to excessive lint from carpeting, bedding materials, etc. It is imperative that the control compartment, burners and circulating air passageways of the appliance be kept clean.
4. This is a vented decorative gas appliance. Do not burn wood or other material in this appliance.
5. NEVER leave children unattended when there is a fire burning in the appliance.
6. This appliance may only use the approved venting systems shown in these installation instructions. Venting must not be connected to chimney flue servicing a solid fuel burning appliance or a gas fuel burning appliance.
7. NEVER use gasoline, gasoline-type lantern fuel, kerosene, charcoal lighter fluid, or similar liquids in this appliance. Keep any flammable liquids a safe distance from the appliance.
8. While servicing this appliance, always shut off all electricity and gas to the appliance. This will prevent possible electrical shock or burns. Also, make sure the appliance is completely cooled before servicing.
9. Do not use this appliance if any part has been under water. Immediately call a qualified service technician to inspect the appliance and to replace any part of the control system and any gas control which has been under water.
10. Be sure to provide adequate clearances around the air openings into the combustion chamber and adequate accessibility clearances for servicing and proper operation.

A. APPLIANCE SPECIFICATIONS & CERTIFICATIONS

1. U.S. AND CANADA CERTIFICATION

The Caliber Series Gas Appliance has been tested in accordance with the ANSI standard Z21.88-2000 in the United States, the current CSA 2.33-2000, IR41, P4, and IR55 in Canada, and has been LISTED by Underwriters Laboratories Inc. for installation as described in this manual. All components are UL, AGA, CGA or CSA safety certified.

2. LOCAL CODES

This installation must conform with local codes. In the absence of local codes, comply with the National Fuel Gas Code ANSI Z223.1-latest edition in the U.S.A., and the CAN/CGA B149, Installation Codes in Canada.

The Caliber Series gas appliance has been tested and listed for use in manufactured housing (mobile homes). These installation instructions conform with the **Manufactured Home Construction and Safety Standard**, Title 24 CFR, Part 3280, or when such a standard is not applicable, the Standard for **Manufactured Home Installations**, ANSI A225.1.

For assistance during installation contact your local dealer or contact Heatilator Technical Services Department, Hearth & Home Technologies, 1915 W. Saunders Street, Mt. Pleasant, Iowa 52641, 1-800-843-2848.

HEATILATOR® is a registered trademark of Hearth & Home Technologies.

3. GLASS SPECIFICATIONS/CERTIFICATIONS

Heatilator gas appliances manufactured with tempered glass may be installed in hazardous locations such as bathtub enclosures as defined by the CPSC. The tempered glass has been tested and certified to the requirements of ANSI Z97.1-1984 and CPSC 16 CFR 1202. (Safety Glazing Certification Council SGCC# 1595 and 1597. Architectural TestIng, Inc. Reports 02-31919.01 and 02-31917.01.)

This statement is in compliance with SPCS 16 CFR Section 1201.5 "Certification and labeling requirements" which refers to 15 USC 2063 stating "...Such certificate shall accompany the product or shall otherwise be furnished to any distributor or retailer to whom the product is delivered."

Some local building codes require the use of tempered glass with permanent marking in such locations. Glass meeting this requirement is available from the factory. Please contact your dealer or distributor to order.

Note: Minimum and maximum clearances must be maintained at all times. Illustrations throughout these instructions reflect typical installations and are for design purposes only. Actual installation may vary slightly due to individual design preferences.

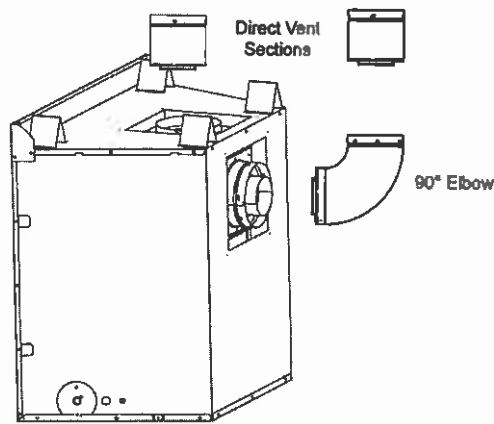
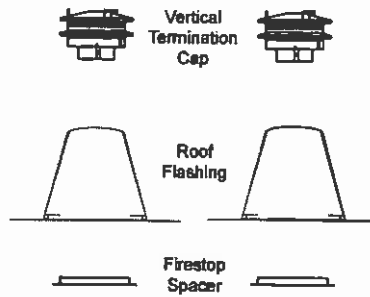
The illustrations and diagrams used throughout these installation instructions are not drawn to scale.

Tools and building supplies normally required for installation:

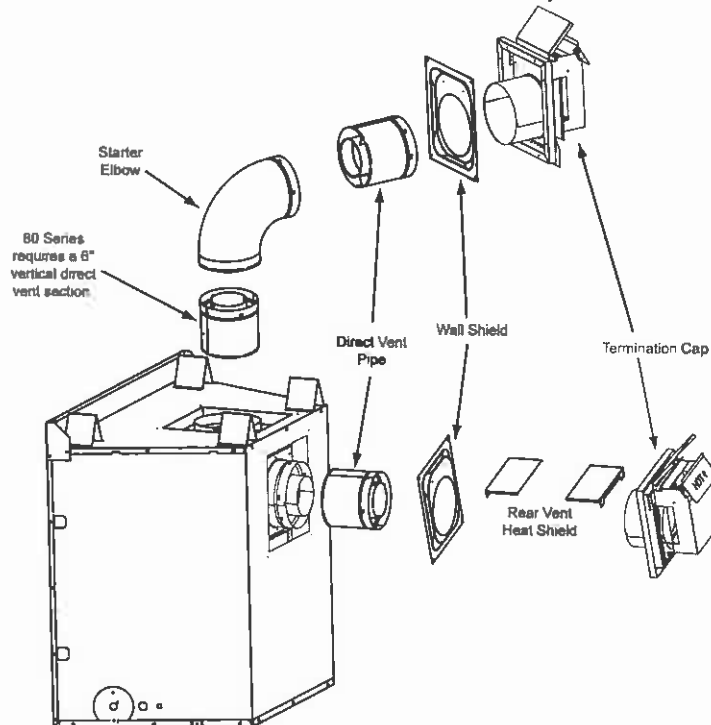
Saw	Framing material
Pliers	Appliance surround
Hammer	Caulking material
Phillips screwdriver	Gloves
Tape measure	Framing square
Plumb line	Electric drill and bits
Level	Wall-finishing materials
Safety glasses	

The first name in fireplaces

Typical Vertical Installations (Rear and Top Vent Shown)



Typical Horizontal Installations (Rear and Top Vent Shown)



CALIBER Nomenclature

Catalog #	Description
GCDC60	41" width, 36" opening, Standing Pilot - Natural Gas Appliance
GCDC80	47" width, 42" opening, Standing Pilot - Natural Gas Appliance

The following suffixes are defined as follows:

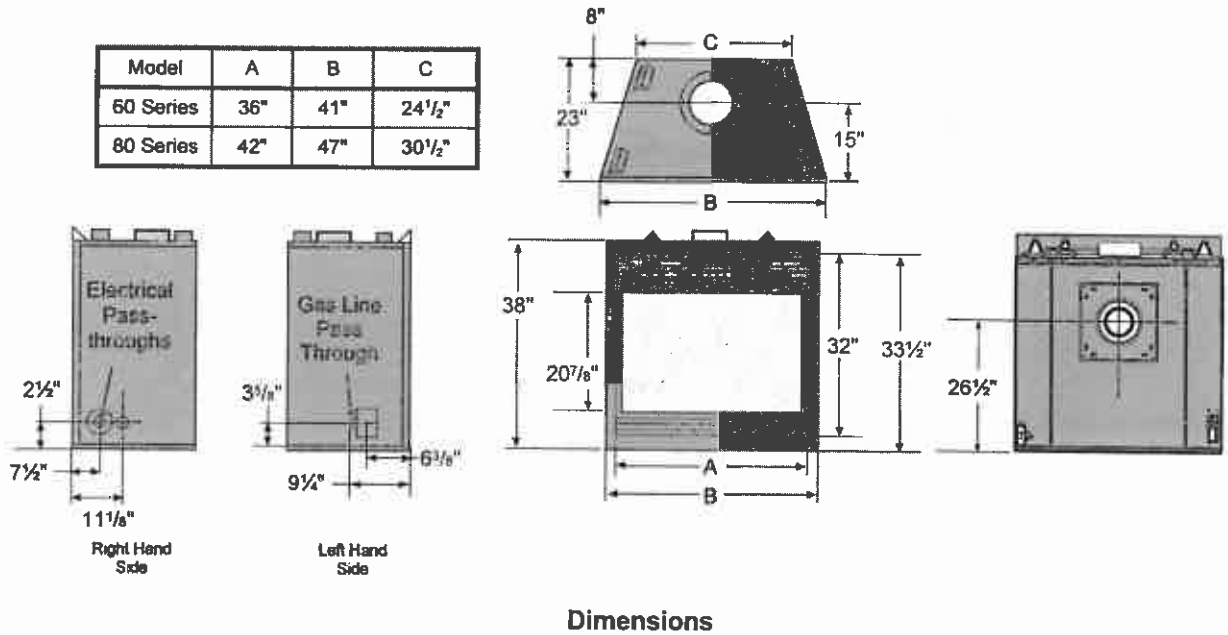
No suffix	Natural Gas, Standing Pilot
L	Propane Gas, Standing Pilot
E	Natural Gas, Electronic Ignition
LE	Propane Gas, Electronic Ignition
R	Refractory
F	Fan

Examples: GCDC60LE is a Propane Gas, Electronic Ignition Appliance
GCDC60EF is a Natural Gas, Electronic Ignition Appliance with Fan

Installation Components	Description
CS	Direct Vent Cap Shield for horizontal termination only
VP-TH	Standard Horizontal Termination Cap with 5" collar-length
VP-TR	Standard Horizontal Termination Cap with 5" collar-length with heat shield - Rear Vent
VP-TR2	Standard Horizontal Termination Cap with 3.5" collar-length with heat shield - Rear Vent
VP-TV	Vertical Termination Cap
VP-VT1	Horizontal Termination Cap
VP-VT1X	Extended Horizontal Termination Cap
VP-TB1	Basement Horizontal Termination Cap
VP-THK	Top Vent Horizontal Kit: VP-TH Termination Cap, Wall Shield, 6-9" Slip Section, Starter Elbow
VP-THK-MI	Top Vent Horizontal Kit: VP-TH Termination Cap, Wall Shield, 24" Non-unitized Vent Section, Starter Elbow
VP-TRK	Rear Vent Horizontal Kit: VP-TR Termination Cap, Wall Shield, Heat Shield, and a 6-9" Slip Section
VP-TRK2	Rear Vent Horizontal Kit: VP-TR2 Termination Cap, Wall Shield, Heat Shield, 4" vent section
VP45	45° Elbow
VP90ST	90° Starter Elbow
VP90	90° Elbow
VP4	4" Vent Pipe
VP6	6" Vent Pipe
VP12	12" Vent Pipe
VP24	24" Vent Pipe
VP36	36" Vent Pipe
VP48	48" Vent Pipe
VP12MI	12" Non-unitized Vent Section (can be cut to length)
VP24MI	24" Non-unitized Vent Section (can be cut to length)
VP6-9	6-9" Slip Section
VP9-14	9-14" Slip Section
VP14-24	14-24" Slip Section
FS6	Firestop Spacer
WS6	Wall Shield to ensure horizontal clearances
VSS2	Vinyl Soffit Shield
RF6	Roof Flashing (vertical termination for 0/12 to 6/12 pitch)
1243S	Steep Pitch Roof Flashing (for 7/12 to 12/12 pitch)
VS4	Vertical Vent Support

The first name in fireplaces

B. LOCATION AND CLEARANCES



WARNING!

Due to high temperatures, the appliance should be located out of traffic and away from furniture and draperies.

1. APPLIANCE LOCATIONS AND SPACE REQUIREMENTS

Figure 1 illustrates a variety of ways the appliance may be located in a room. The CALIBER Series may be installed directly on the floor or raised on a hearth. These appliances are certified for installation in a bedroom, bed/sitting room, or in mobile homes in the U.S. and Canada.

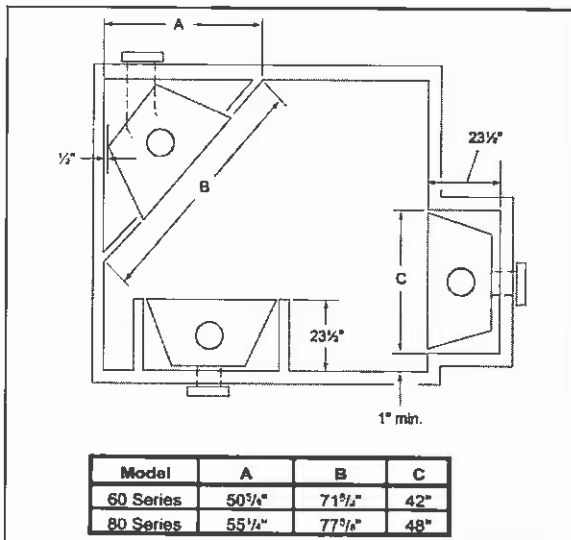


Figure 1 - Appliance Locations

2. CLEARANCES

Figure 2 shows all clearances that must be maintained around the appliance. See page 11 for pipe clearances and page 15 for termination cap clearances.

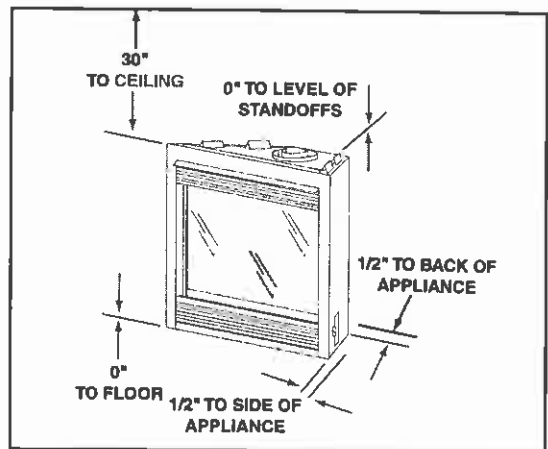


Figure 2
Appliance Clearances to Combustible Materials

CAUTION:

Do not expose the appliance to the elements (such as rain, etc.).

The first name in fireplaces

C. FRAMING

Figure 3 shows typical framing of this appliance using combustible materials. Figure 4 shows the minimum mantel heights. All required clearances to combustibles must be adhered to.

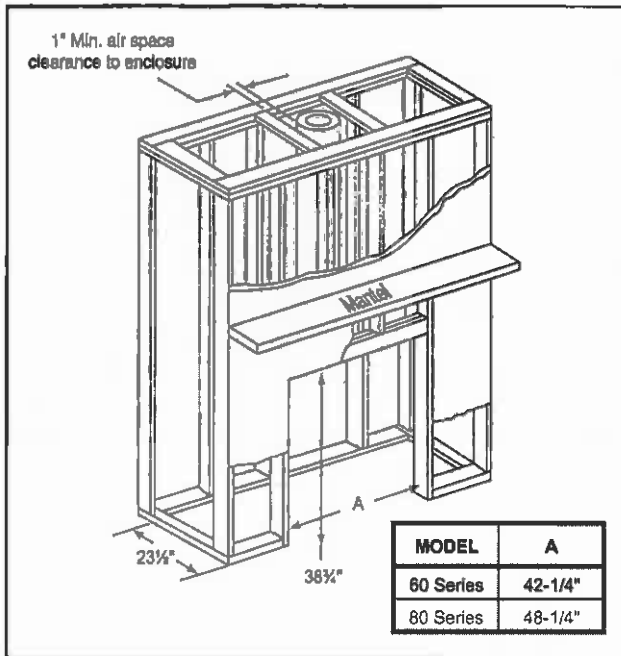


Figure 3 - Framing

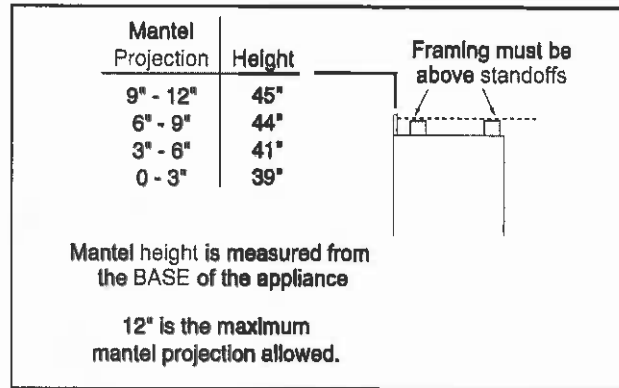


Figure 4 - Mantel Heights

CAUTION:
Wear gloves and safety glasses for protection.

CAUTION:
Provide adequate accessibility clearances around the upper and lower grilles for servicing and proper operation.

WARNING!

To prevent contact with sagging or loose insulation, the appliance must **NOT** be installed against vapor barriers or exposed insulation. Localized overheating could occur and a fire could result.

D. SETTING THE APPLIANCE

This appliance may be placed on a smooth, combustible or noncombustible continuous, flat surface. When the appliance is installed directly on carpeting, tile or other combustible material other than wood flooring, the appliance shall be installed on a metal or wood panel extending the full width and depth of the appliance. Slide the appliance into position and level the from side-to-side and front-to-back. Shim with noncombustible material as necessary.

Secure the appliance by bending out the nailing flanges on each side of the appliance and nail to framing. The nailing flanges have been positioned 5/8" back from the front of the appliance to allow the addition of drywall.

WARNING!

This appliance may only use the approved venting systems shown in these Installation Instructions. It must not be connected to a chimney flue servicing a separate solid fuel or gas fuel burning appliance.

The first name in fireplaces

E. VENTING

1. CONVERSION FROM TOP VENT TO REAR VENT

- a. Remove the screw holding the heat shield cover plate to the top of the appliance and set aside. See Figure 5.

Note: If the appliance is to be top vented discard this plate and replace the screw you removed. If the appliance is to be rear vented, continue to Step b.

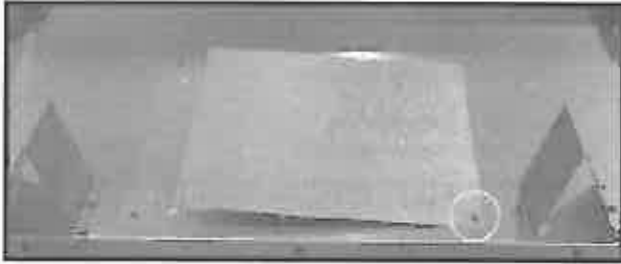


Figure 5 - Insulated Cover Plate, Top of Appliance

- b. Remove the three remaining screws holding the plate surrounding the flue. See Figure 6. Remove the plate and set aside.



Figure 6 - Remove Plate Screws

- c. Remove the four screws holding the inner plate surrounding the flue. See Figure 7. Remove the inner plate and discard.

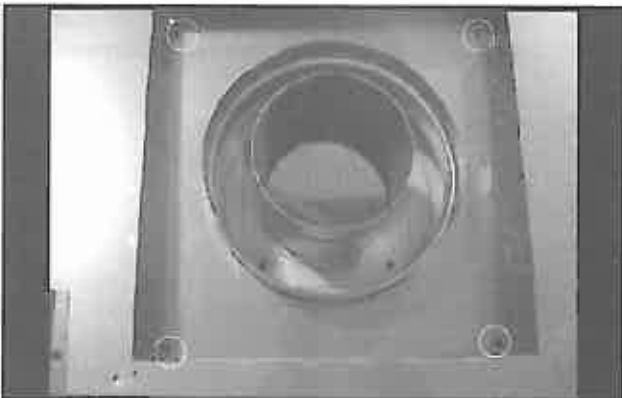


Figure 7 - Inner Plate, Top of Appliance

- d. Remove the four screws holding the outer collar to the appliance top. See Figure 8. Remove the outer collar.

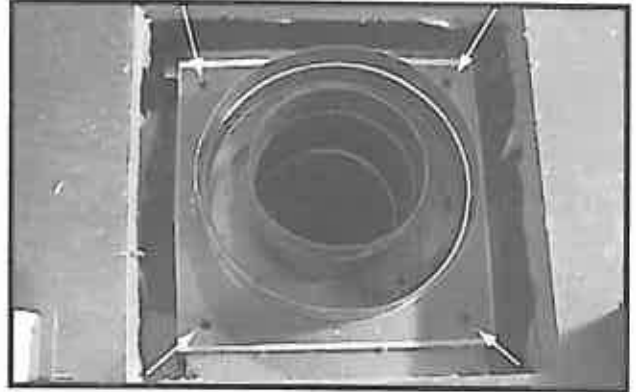


Figure 8 - Remove Four Screws from Outer Collar

- e. Remove the four screws holding the inner collar to the appliance top. See Figure 9. Remove the inner collar.

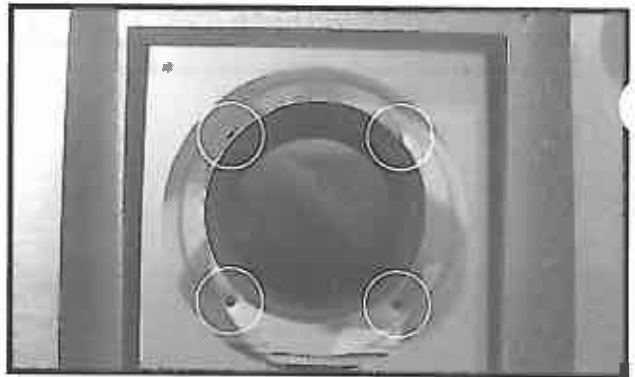


Figure 9 - Remove Screws from Inner Collar

- f. Remove the four screws holding the outer shell cover. See Figure 10. Remove the outer shell cover and set aside.

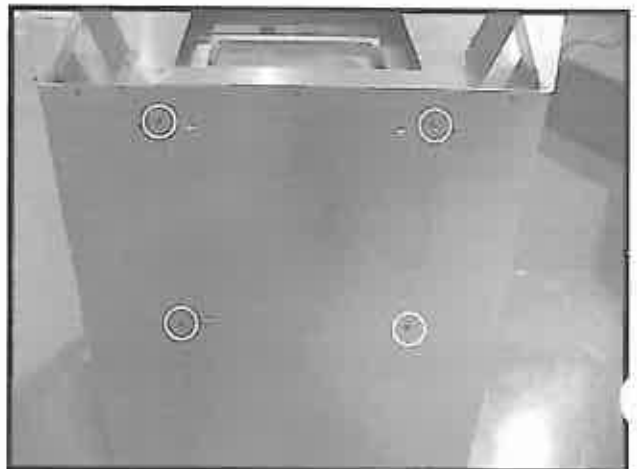


Figure 10 - Outer Shell Cover

The first name in fireplaces

- g. Remove the four screws holding the outer cover plate to the appliance back. See Figure 11. Remove the outer cover.

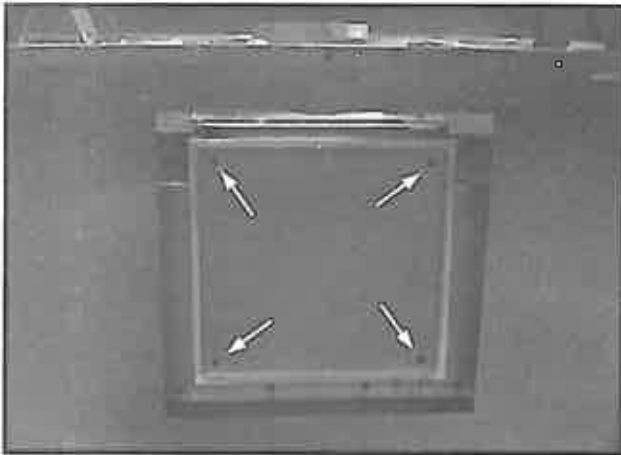


Figure 11 - Remove Outer Cover Plate

- h. Remove the four screws holding the inner cover plate to the appliance back. See Figure 12. Remove the inner cover.

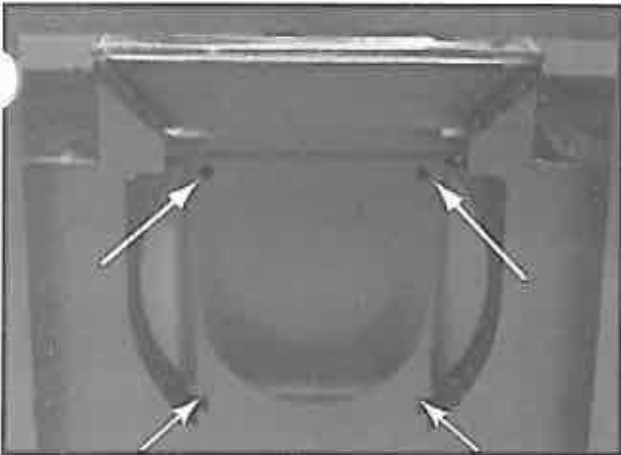


Figure 12 - Remove Inner Cover Plate

- i. Place the inner collar on the appliance back and replace the four screws that hold this collar in place. See Figure 13.

* Make sure insulation is attached to the collar base.

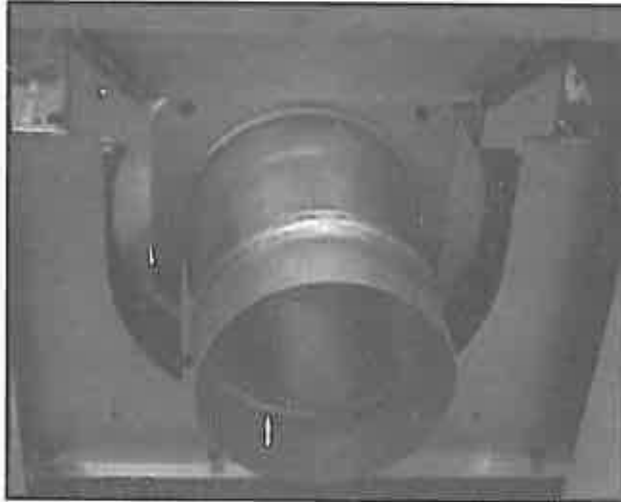


Figure 13 - Place Inner Collar on Rear of Appliance

- j. Place the outer collar on the rear of the appliance and replace the four screws that hold this collar in place. See Figure 14.

* Make sure insulation is attached to the collar base.



Figure 14 - Place Outer Collar on Rear of Appliance

The first name in fireplaces

- k. Locate the plate removed in Step b. Place the plate around the rear vented collars and replace the four screws that hold the plate in place. See Figure 15.

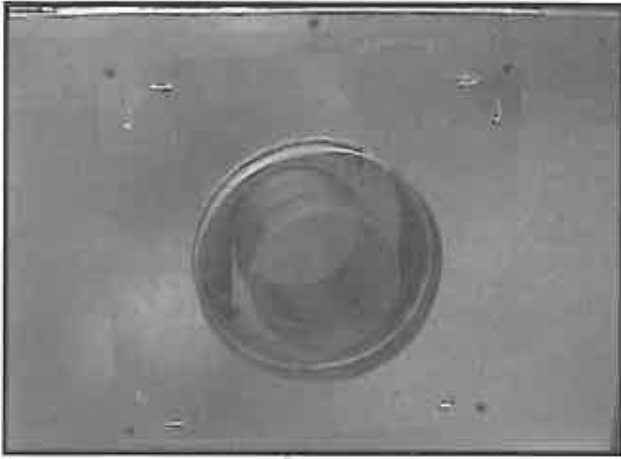


Figure 15 - Place Insulated Plate on Rear of Appliance

- m. Place the outer cover plate on the appliance top, and replace the four screws that hold the outer cover plate in place. See Figure 17.
- * Make sure insulation is replaced with the cover plate.



Figure 17 - Place Outer Cover Plate on Top of Appliance

- l. Place the inner cover plate on the appliance top and replace the four screws that hold the inner cover plate in place. See Figure 16.

- * Make sure insulation is replaced with the cover plate.



Figure 16 - Place Inner Cover Plate on Top of Appliance

- n. Locate the heat shield cover plate that was removed in Step a. Place the cover plate on top of the heat shield. Replace the four screws that hold this plate in place. See Figure 18.

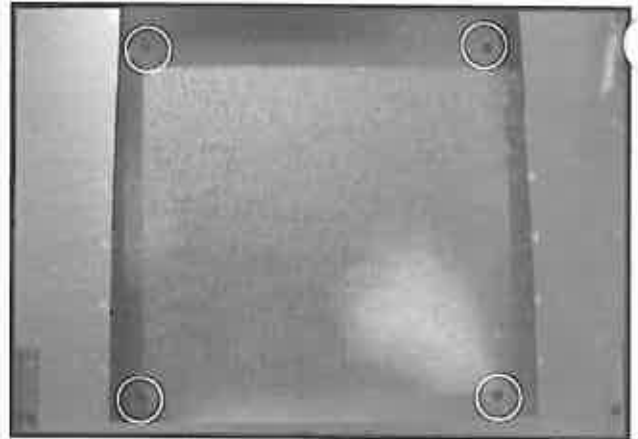


Figure 18 - Place Heat Shield Cover Plate on Top of Heat Shield