

AVALON™

Avanti™ Pellet Insert

Performance

- Pellet Insert for Masonry or Z C Fireplaces
- Heating Capacity: 800 to 1,600 S. Ft.
- Burn Rate: 3.5 lbs/hr (on high)
1.2 lbs/hr (on low)
- BTU Range: Low-8,100 High-23,000
- 35 lbs Hopper Capacity
- 29 Hour Burn Time

Standard Features

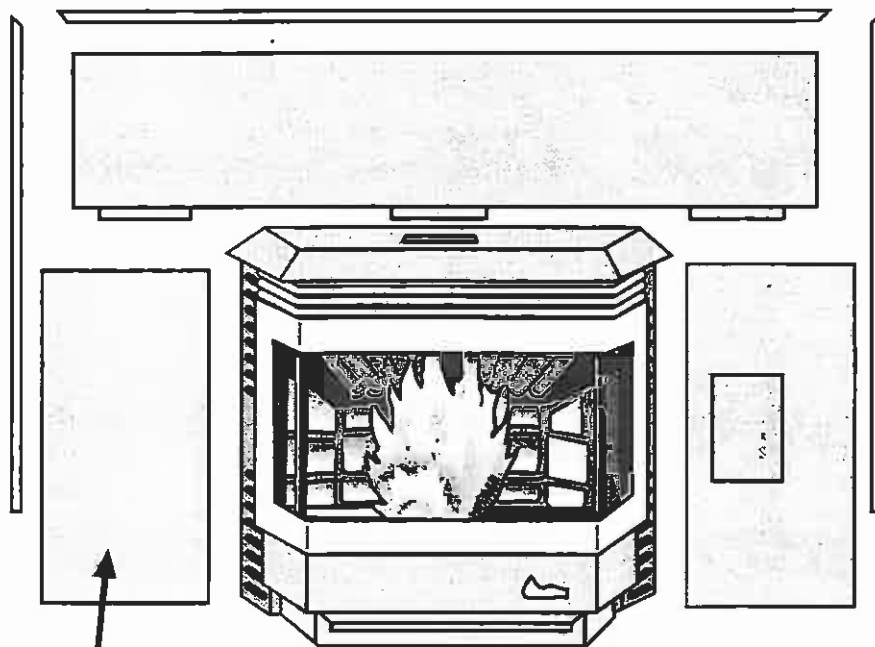
- Compact Size
- 24 Karat Gold Plated True Bay Door
- Easy Access Ashpan
- Quick Slideout Ash Dump
- Thermostat Ready
- Auto Ignitor
- Automatic or Manual Run Modes
- Quiet Operation
- Easy Ash Clean-outs
- Insert Top Opens For Easy Pellet Loading
- Positive Door Latch
- Circuit Board Control
- Welded-in Burn Pot Holder
- Built-in Air Restrictor
- Cast Brick Fireback
- Black Convection Grill

Options

- Gold Convection Grill
- Wall Thermostat
- Remote Control Thermostat
Sku # 99300653
- 8 x10 or 10 x 13 Surround Panels

24 Karat Gold Plated Convection Grill

Sku # 93005034



Avanti Pellet Insert

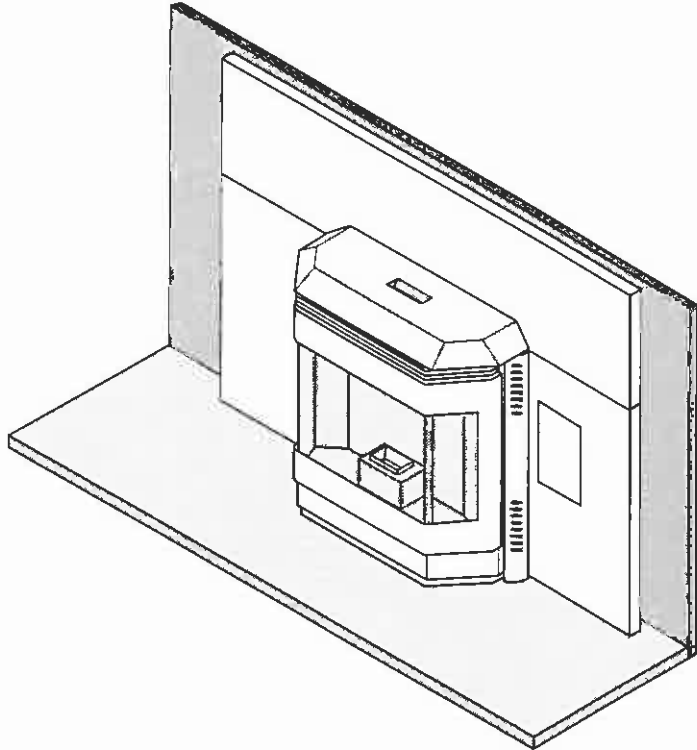
Sku # 98700555

Surround Panels with Gold Trim

8" x 10" Panels
28 7/8" H x 40 1/2" W
Sku # 99300703

10" x 13" Panels
31 7/8" H x 44 1/2" W
Sku # 99300704

AVANTI



Avanti Pellet Insert

- Masonry Fireplace
- Factory Built (Metal) Fireplace

- Please read this entire manual before installation and use of this pellet fuel-burning room heater. Failure to follow these instructions could result in property damage bodily injury or even death.
- Contact local building or fire officials about restrictions and installation inspection requirements in your area.
- Save these instructions

- October, 1997 -

 **Travis Industries, Inc.**
10850 117th Place N.E. Kirkland, WA 98033

Warnock Hersey
 **Listed**
Tested to U.L. 1482 (1994), ASTM E1509 (1995),
ULCS627-93, CSA B366.2, and Oregon
Administration Rules 814-23-900-909 (Mob. Home)