



Disclaimer

This booklet partially details the installation requirements for the 36E-ZC fireplace. It is intended to give general information prior to delivery of the fireplace. For full installation requirements, refer to the installation manual (part # 93508090).

Listing Information

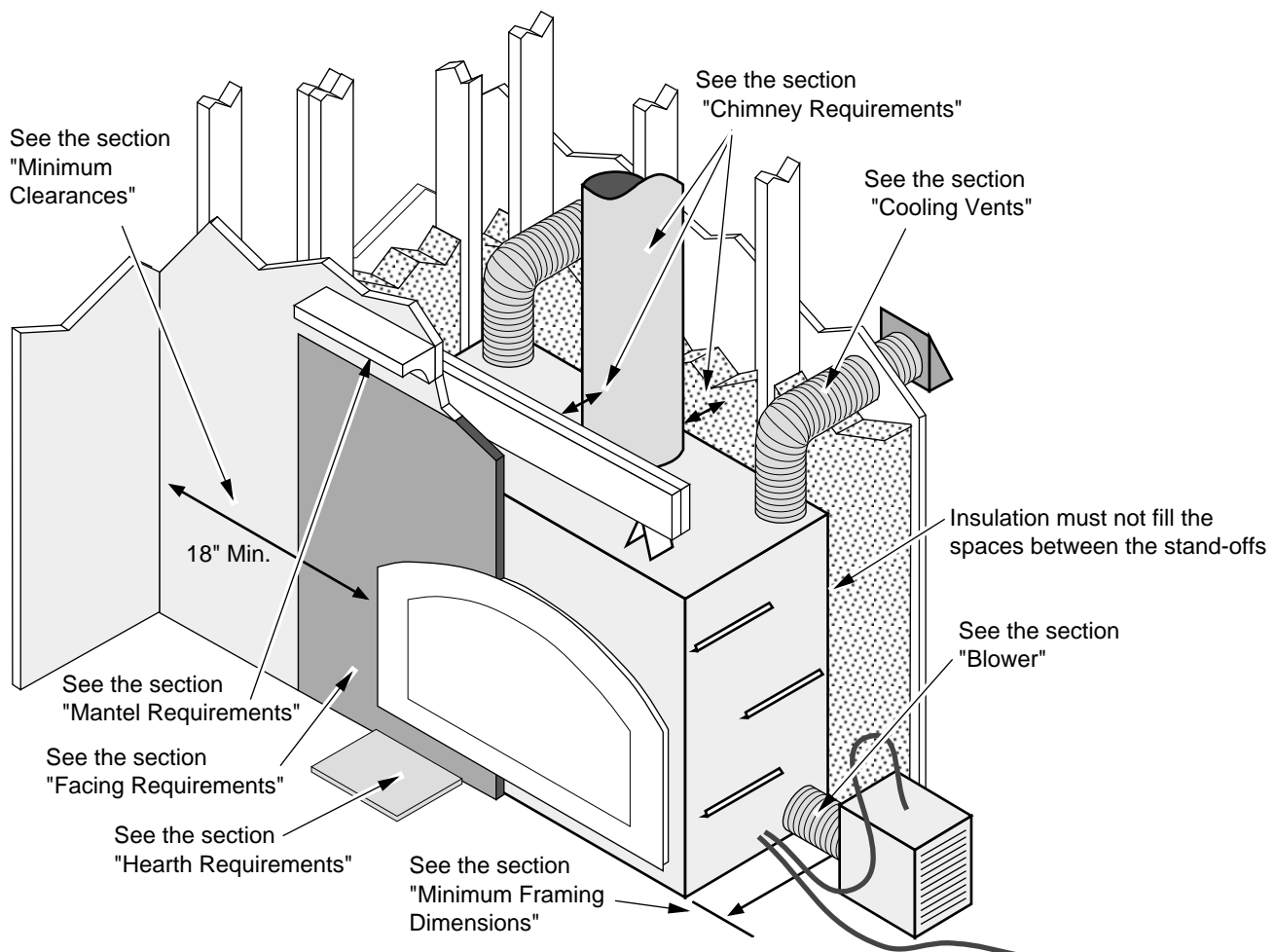
The 36E-ZC fireplace has been tested to U.L. 127 and portions of U.L. 1482 and 907 by Warnock Hersey, Ltd. (Intertek Testing Services).



Installation Options

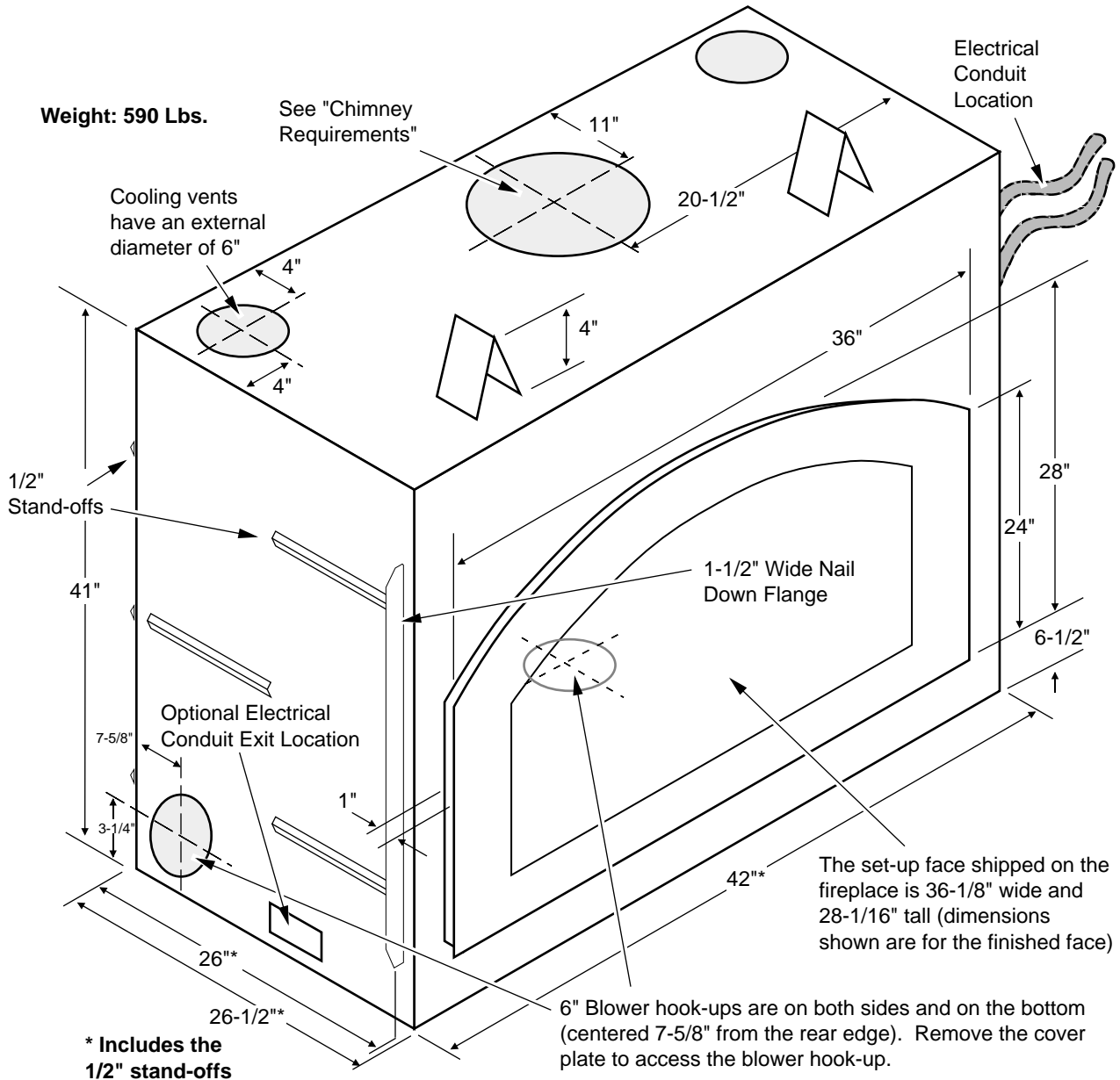
- Straight or Corner Placement
- Flush or Recessed Face
- Raised or Flush Floor Hearth
- Internal or External Chase
- 8' leads for the power source and the blower (120 Volts A.C.)
- Set-up face is included to ease facing installation
- 3 blower duct locations for a wide selection of interior or exterior blower installation options

Installation Overview





Dimensions



Packing List

Shipped with the Fireplace:

- Installation Manual
- Grate
- Baffle
- Blower Assembly
- Ember Strip
- Log Retainer (includes allen wrench & instructions)
- Flex Duct w/ start collar – 3' Length, 6" Dia (For Blower)
- Two 10' Flex Ducts, 6" Diameter (For Cooling Vents)
- Two Vent Hoods (For Cooling Vents)
- Two Vent Hood Storm Collars (For Cooling Vents)

Shipped with the Faceplate:

- Faceplate (two switch plate screws are attached)
- Switch Plate (includes blower rheostat)
- 10 Faceplate Screws

Shipped with the Door(s):

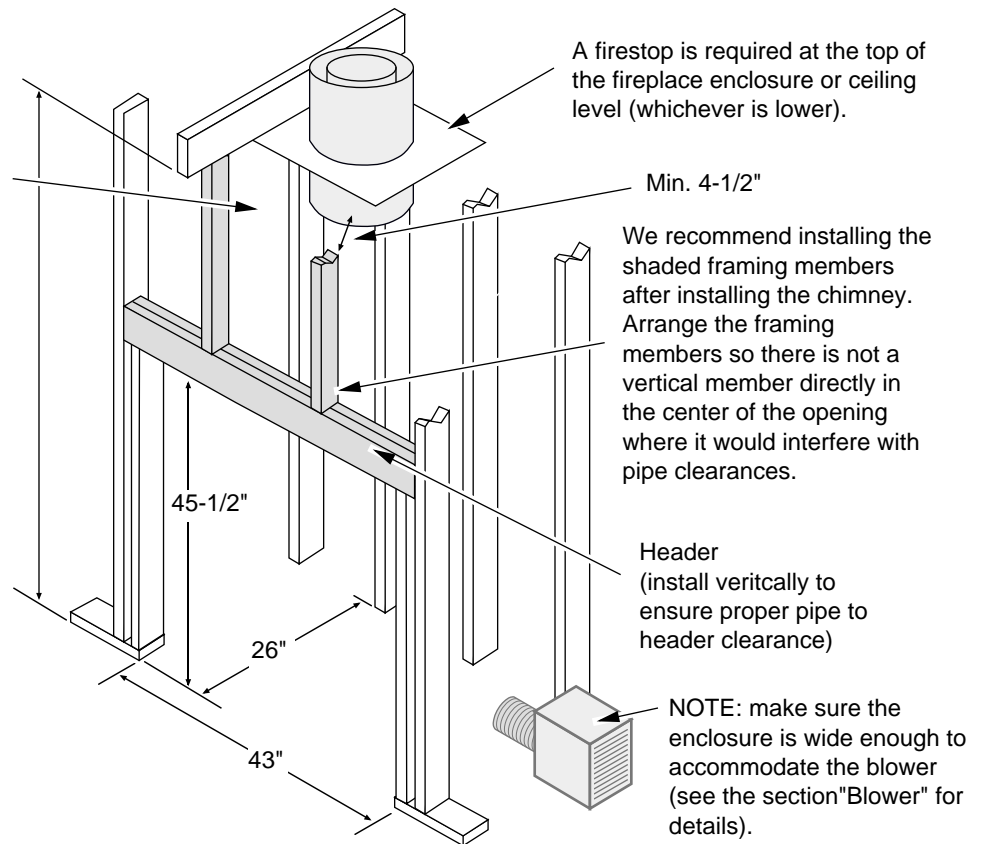
- Owner's Manual
- Installation Hardware Pack
- Pair of Gloves
- Efficiency and Registration Cards
- Touch-up Paint



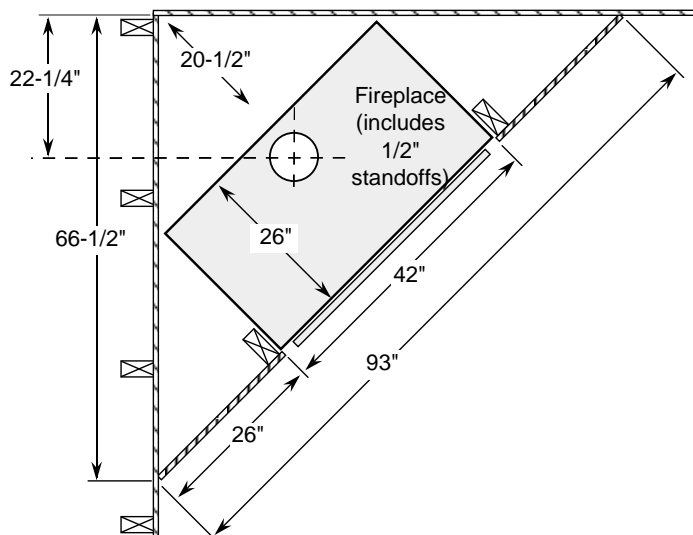
Minimum Framing Dimensions

The fireplace enclosure must not be less than 81" above the base of the fireplace.

- If the fireplace is raised, the enclosure height must be raised to maintain the 81".
- Do not build into this area.
- Do not slope the walls inward.
- The header, vertical framing members, and all interior wall surfaces may protrude a maximum 4" into this area.



Framing Dimensions at 45°



Minimum Clearances

- When installed, walls in front of the fireplace must be a minimum 18" to the side of the faceplate (or 15-1/2" from the side of the fireplace) – see the illustration under "Installation Overview".
- Fireplace should be located such that no doors, drapes, furniture or other combustibles can be placed close or swing closer than the minimum 36" clearance. Due to the high heat output of this fireplace, choose a location away from high traffic areas.
- Fireplace must be placed so the vents below and above the glass do not become blocked

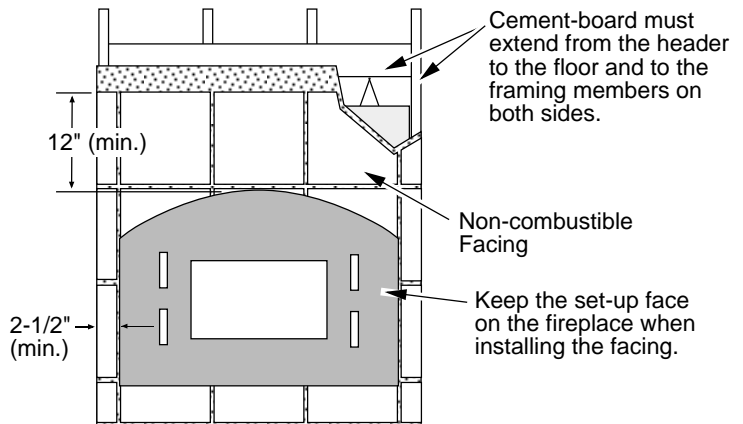
Raised Fireplaces

- If the fireplace is raised more than 15" above the sub-floor, the fireplace enclosure will have to be raised accordingly (see "Minimum Framing Dimensions").
- The platform must be designed to support the fireplace and vent (Approximately 600 Lbs.).



Facing Requirements

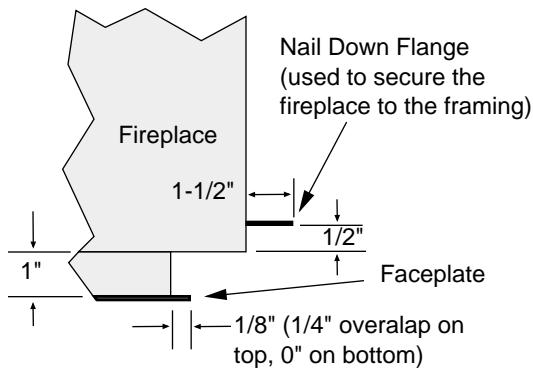
- The fireplace is shipped with a set-up face that is 1/16" larger on the top, bottom and each side than the faceplate. Leave the set-up face in place to act as a template when installing the facing.
- The fireplace requires 1/2" thick concrete-board or other non-combustible to extend from the header to the base of the fireplace and to the framing members on both sides (do not use sheetrock or drywall).
- The non-combustible facing must extend a minimum of 12" above and 2-1/2" to each side of the faceplate.
- The non-combustible facing must be a minimum 1" thick
- Facing may be installed so it inserts behind the faceplate. NOTE: the faceplate protrudes 1" from the front of the fireplace, has a 1/8" overlap on the sides, and 1/4" overlap on top.
- To achieve a facing that is flush with the drywall to the side of the fireplace, recess the framing directly next to the fireplace. See the illustration below.
- The combustible area above the facing must not protrude more than 3/4" from the facing. If it does, it is considered a mantel and must meet the mantel requirements listed in this manual.



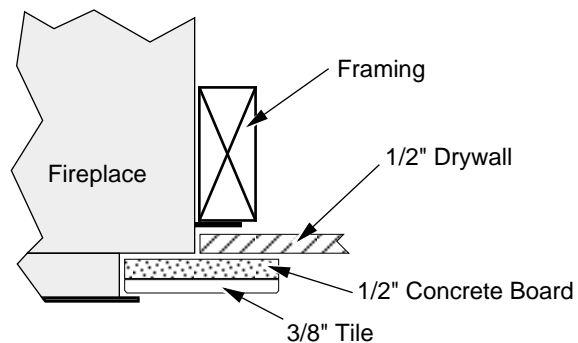
TOP VIEW

(cross section of fireplace, framing, and face)

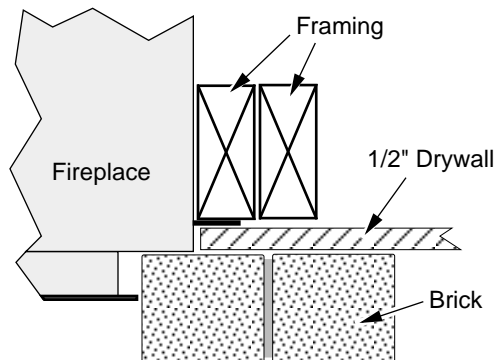
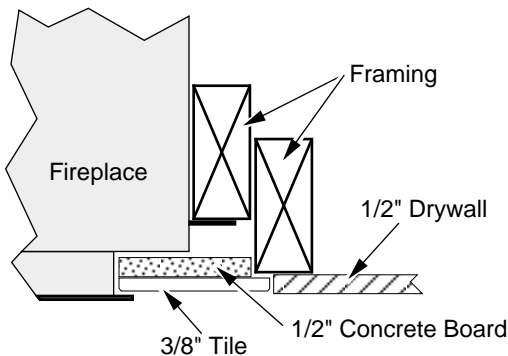
Overlapped Facing



Flush Facing



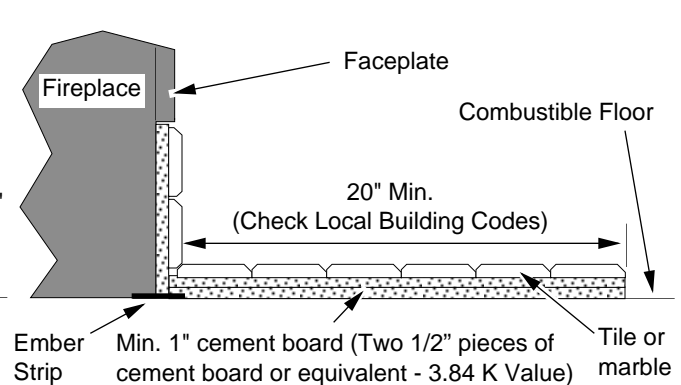
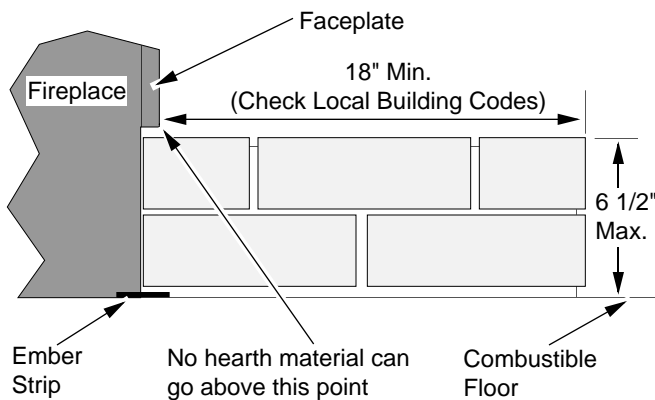
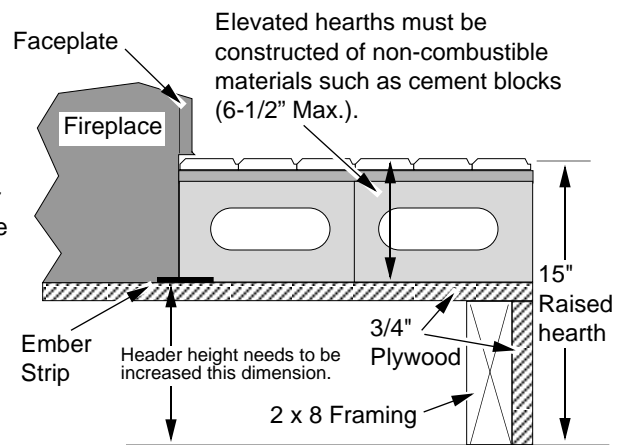
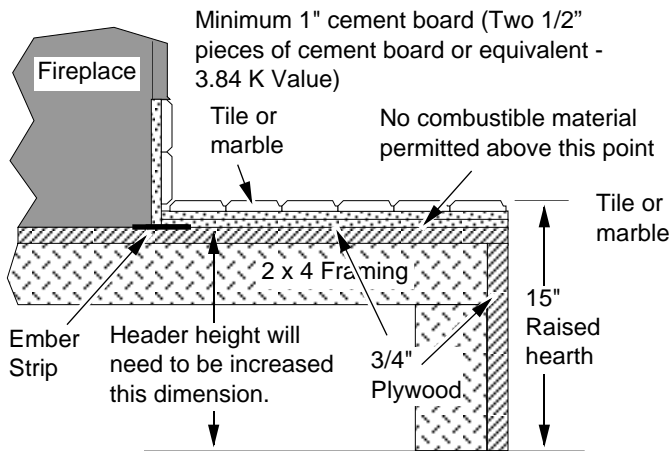
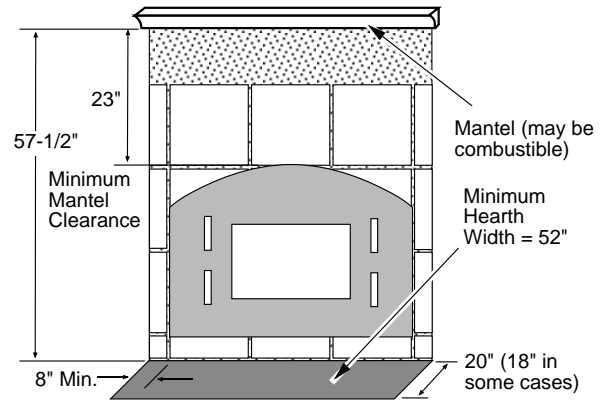
Brick Facing





Hearth Requirements

- Local building codes may require a minimum hearth requirement different of what this manual states
- Hearth must extend 20" in front of the faceplate when it is not elevated (see local building codes). Hearths raised 6-1/2" must extend a minimum 18".
- Hearth must extend a minimum 8" to both sides of the faceplate (52" wide)
- Hearth must be a minimum 1" thick of cement board (or equivalent - 3.84 K Value)
- Hearth must not rise more than 6-1/2" above the base of the fireplace



Mantel Requirements

- The optional mantel must be a minimum 23" above the top of the faceplate (57-1/2" above the base)
- The mantel must not extend more than 8-1/2" in front of the faceplate.
- Mantel side columns that protrude more than 3/4" must maintain an 18" clearance to the faceplate
- Collinswood® makes a mantel specifically designed for the Fireplace Xtrordinaire 36 Elite-ZC. This mantel has been listed with this appliance as a component of this appliance and is not subject to the above mantel requirements. NOTE: do not cut the mantel to reduce its clearance to the fireplace - the base of the mantel must be at the same height as the base of the fireplace. The above requirements apply to all other site-built or pre-manufactured mantels.



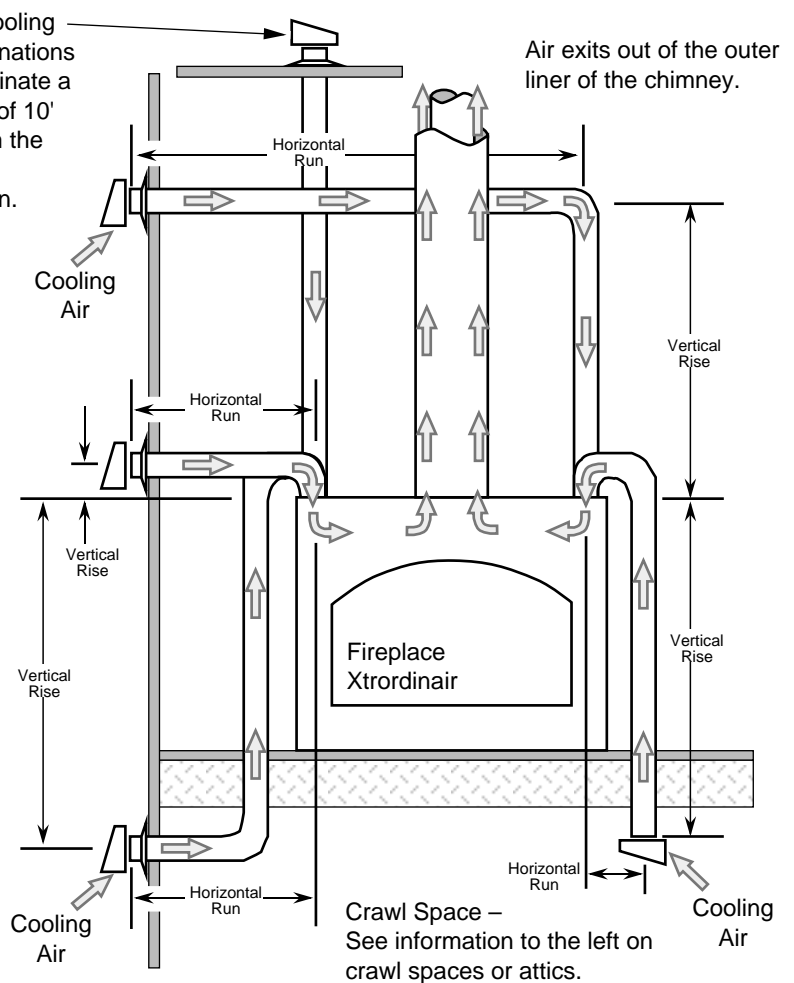
Cooling Vents

- The cooling vents provide cooling air for the fireplace and chimney system. Failure to correctly install the cooling vents will lead to an extremely dangerous installation and possibly a fire.
- The two cooling vents must be installed so as to route air from the outside to the two starter collars on the top rear corners of the fireplace. Secure the vents to the collars using high-temperature aluminum tape and/or sheet metal screws.
- A maximum of two 90° bends may be used on each vent. However, if a 180° bend is placed directly off the starter collar, one additional 90° bend may be used.
- The maximum distance for the cooling ducts is listed below:

When the vertical rise is between:	The maximum horizontal run may be:
6' and 10' (max)	5'
3' and 6'	15'
1' and 3'	20'
0' and 1'	25'

- Included with the fireplace are two 12' lengths of vent, use a connector and seal if adding more length
- The duct terminations must be located so they can not be blocked (e.g. snow drifts)
- Included with the fireplace is a set of storm collars and vent hoods. Place the collars around the vent on the exterior and attach with screws or caulking to seal the wall from the vent penetration. Place the hood, with open portion facing down, over the cooling vents and secure.
- The cooling air duct terminations may be installed to draw air from a ventilated crawl space or attic if approved by local building codes. **NOTE:** certain codes require a fire curtain damper in these cases.

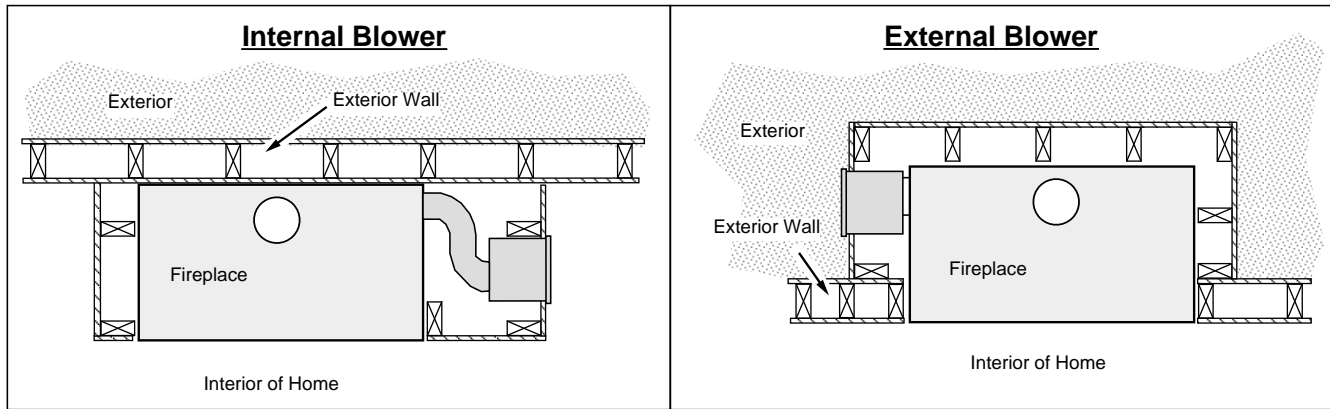
Vertical cooling vent terminations must terminate a minimum of 10' away from the chimney termination.



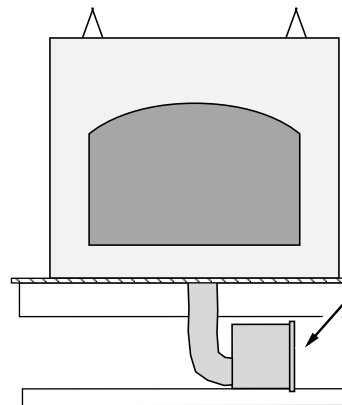


Blower

The external blower pushes air through blower duct to the fireplace, where it is heated and distributed into the room. The blower may be located to draw air from the exterior of the home, producing positive pressure inside the home and providing outside air for the combustion chamber. Or, if desired, the blower may be located to draw air from the interior of the home.



- Do not draw air from confined areas or from a garage or area containing fumes or emissions. The blower inlet must be a minimum 36" below any exhaust vent.
- The blower may be installed to draw air from a crawl space or attic if approved by local building codes. **NOTE:** certain codes require a fire curtain in these cases.
- The shorter the blower duct, the greater the air flow.
- A maximum of two 90° bends may be used.

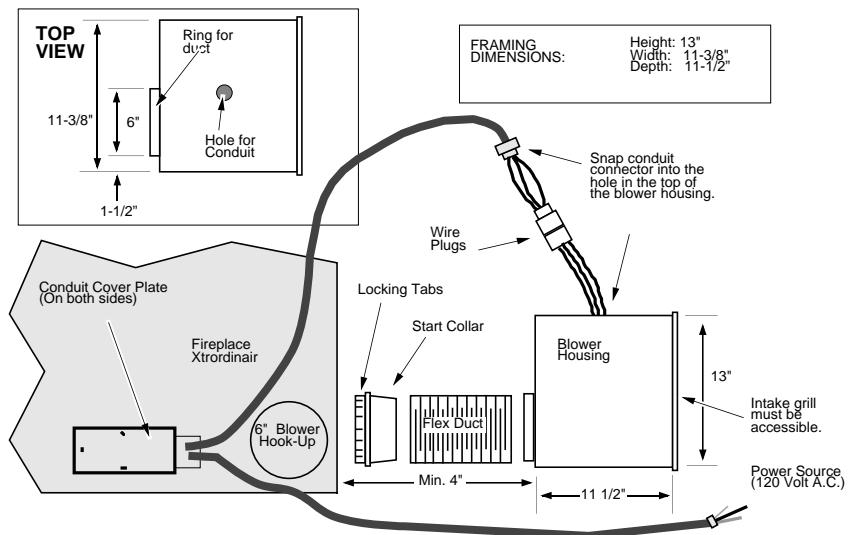


The blower may be placed in a ventilated crawl space (if approved by the local building department).

NOTE: The blower may be placed with the grill facing down. Do not place the blower on its side.

- The maximum length for 6" diameter blower duct is 15' (use the included duct & start collar)
- The maximum length for 8" diameter blower duct is 25' (use two 6" to 8" adapters)

- Connect the blower duct to the right, left, or bottom of the fireplace. Each location is sealed with a cover plate (use a 5/16" nutdriver to remove cover plate). If using the bottom location, remove the 8-1/2" by 6-1/4" air deflector directly above the cover plate and attach the duct to the 6" hole above the deflector. Insert the starter section into the blower hook-up hole and bend the flanges outwards, locking the starter section in place.
- Attach the flex duct to the collar on the blower box and start collar using duct tape and/or screws

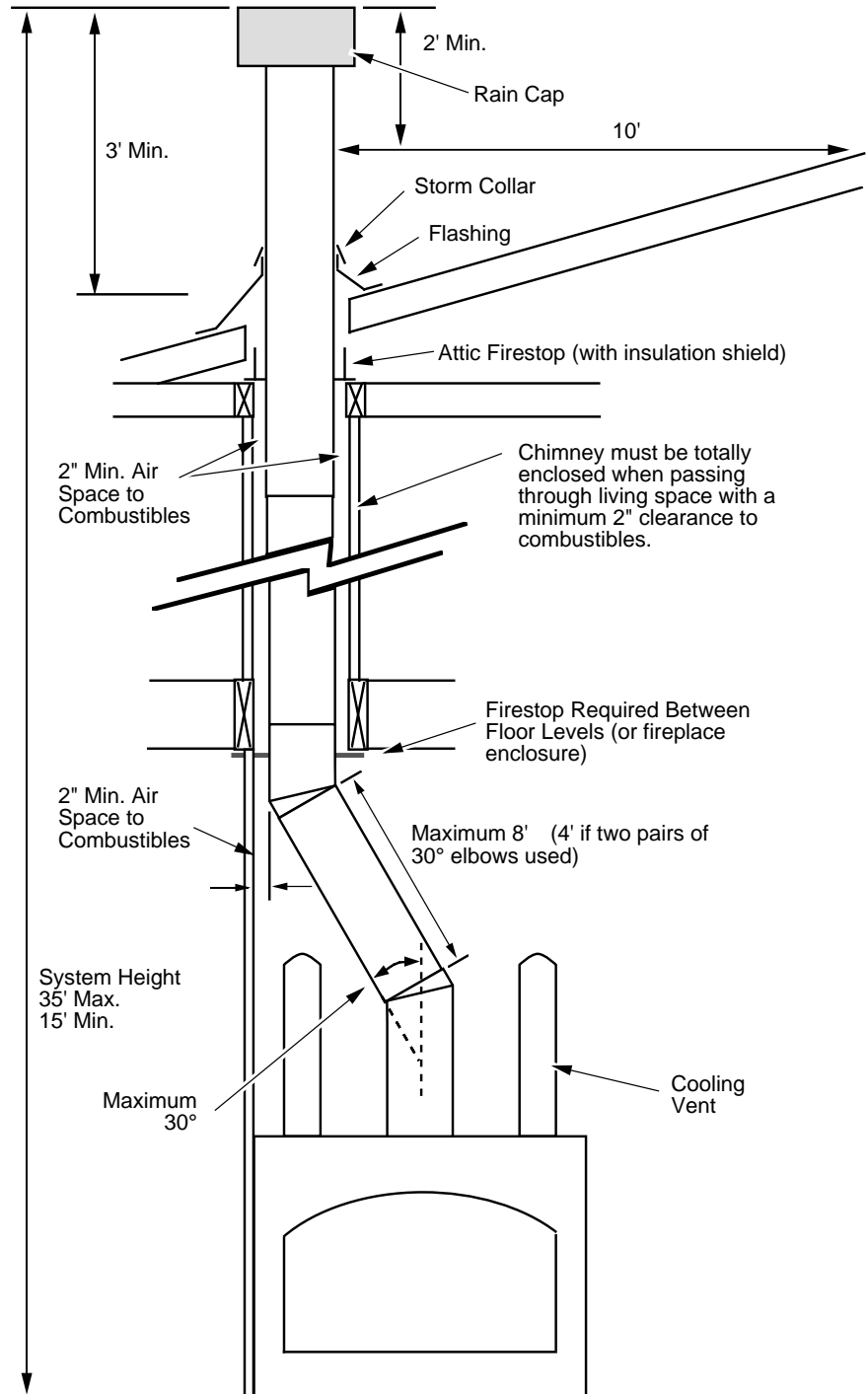


- The blower, if located on an external wall, must be weatherproofed. Apply caulk around the perimeter of the blower housing where it contacts the external wall and vapor barrier (apply sparingly).



Chimney Requirements

- Use one of the following brands and type of chimney: • Temco 82 • Superior TF8 • FMI 8DM • Marco 8D
- Depending on the manufacturer and where the chimney is to be installed, chimney supports, roof braces, radiation shields, attic insulation shields, attic enclosures, spark arrestors, locking bands, etc... may be required as part of the chimney system. The manufacturer's installation instructions, which are reviewed by the listing agency, specifies when and where each of these components must be used. Follow the manufacturer's instructions for the use of flashing and an adjustable storm collar at the roof line to prevent water from entering the house. Manufacturers require that chimneys extending beyond a certain height above the roof (frequently above 5') must also be braced.
- 30° Elbows may be used to offset the chimney (to align the chimney or gain clearance to combustibles)
- A maximum four 30° elbows may be used
- Each elbow must be used in conjunction with a return elbow (so the chimney returns to a vertical direction)
- If using a single offset (two 30° elbows) a maximum of 8' of inclined chimney may be used between elbows.
- If using two offsets (four 30° elbows) a maximum of 4' of inclined chimney may be used between each set of elbows.
- For every 6' of inclined chimney a flue support is required
- Elbows may be used directly off the top of the fireplace (maintain a 5" clearance to combustibles on the back wall, 4 1/2" minimum on the front wall and header)

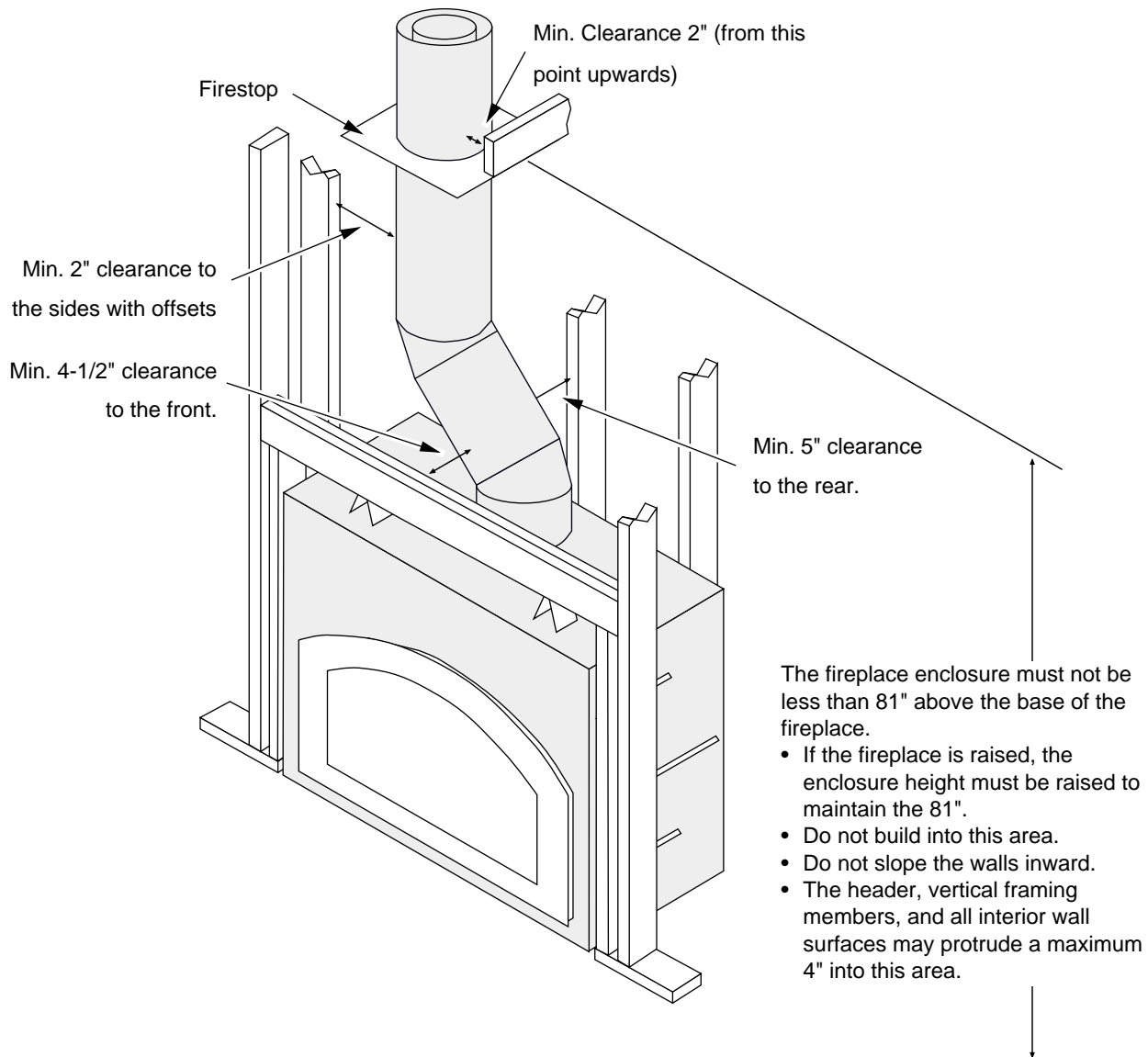




Chimney Clearances

Follow the clearances listed below - do not follow the clearances listed in the chimney instructions

- Maintain a 2" clearance from the chimney to combustibles (measured horizontally)
- Use offsets, if necessary, to maintain clearances
- In the area above the fireplace before the chimney penetrates the ceiling (use a firestop), the chimney must maintain the clearances listed below:
 - 5" to the rear of the chimney
 - 4-1/2" to the front of the chimney
 - 2" to the side of the chimney



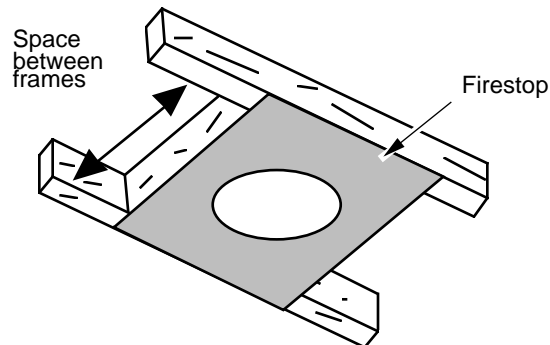
Firestops

NOTE: Many firestops are designed for a 1" clearance, this fireplace requires a 2" clearance.

- Whenever the chimney penetrates a floor or ceiling a firestop is required on the bottom side of the floor joists
- When passing through an attic the firestop must be placed on the attic side of the joists
- When the chimney passes through a living space it must be totally enclosed (maintain the minimum 2" clearance to combustibles)

- The space between frames that hold the firestop in place should be measured as follows:

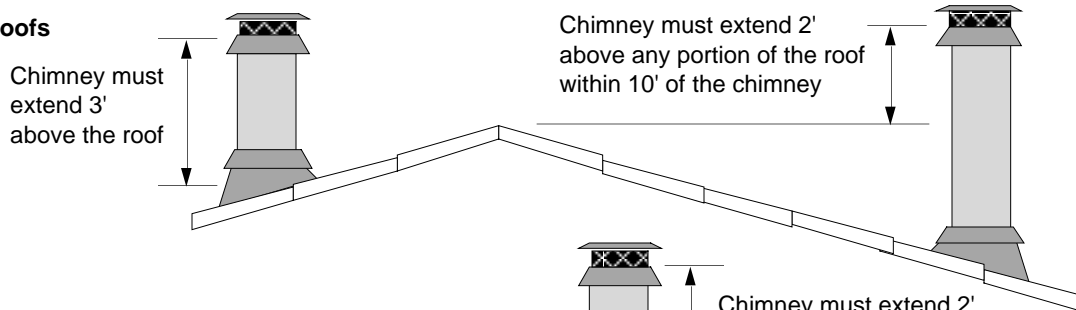
Temco	16" Min.	(12" pipe diameter plus 4" (2" clearance times two))
Superior	16 1/2" Min.	(12 1/2" pipe diameter plus 4" (2" clearance times two))
FMI	16 1/2" Min.	(12 1/2" pipe diameter plus 4" (2" clearance times two))
Marco	16 1/2" Min.	(12 1/2" pipe diameter plus 4" (2" clearance times two))



Chimney Termination Requirements

- The chimney must have a chimney cap
- The chimney must terminate a minimum 3' above the roof and 2' above any portion within 10' (measured horizontally). This applies to flat and sloped roofs.

Slanted Roofs



Flat Roofs

