

INSTALLATION INSTRUCTIONS

for the MAJESTIC. RCFK BLOWER SYSTEM



Tools required:

Flat blade screwdriver or $\frac{5}{16}$ inch wrench.

The RCFK tangential flow blower system has been designed to augment the standard gravity air flow through the heat exchanger of your RC36 heat circulating fireplace.

The RCFK blower system operates from 120 VAC, 60 Hz power. This is available through the receptacle of the RCJB junction box accessory that **MUST** be installed at the time of original fireplace installation. This junction box is located at the right side of the fireplace behind the lower grille.

The RCFK has an optional wall mount, variable speed control (model number SCVS) to provide quiet forced air flow through the heat exchanger.

INSTALLING THE BLOWER

1. Remove the blower and associated parts from the carton. Check contents with Figure 1. If any parts are missing, contact your supplier.
2. Place a protective covering on the hearth extension of the fireplace.
3. Remove the lower grille from the fireplace surround by lifting up with a screwdriver, at the bottom of the grille — at the three (3) vertical pins; then swing the grille bottom outward. Set the grille aside.
4. Attach the four (4) cushion strips to the base plate of the blower as shown in Figure 3.
5. Insert the RCFK blower into the opening, as shown in Figure 4. Rotate the blower into place, with the two (2) brackets on its base plate sitting behind the two (2) brackets on the fireplace base pan. (See Figure 4). Fasten in place with two (2) #10 screws supplied.
6. Press fit the wire retainer clip into the hole provided on the right side of the fireplace base pan as shown in Figure 5.
7. Plug the fan kit into the electrical receptacle at the right of the fireplace and snap any excess wire under the retaining clip. Check blower operation by turning blower on at wall switch (not provided). If the blower fails to operate, check to be sure that 120 VAC is available at the receptacle. If the blower fails to operate from the receptacle, contact supplier.
8. Grasping the bottom grille, re-install it in reverse order of its removal in Step 3.

WARNING: NEVER CONTACT BLOWER WHEEL (VANES) DURING BLOWER OPERATION WITH BODY PARTS OR FOREIGN OBJECTS.

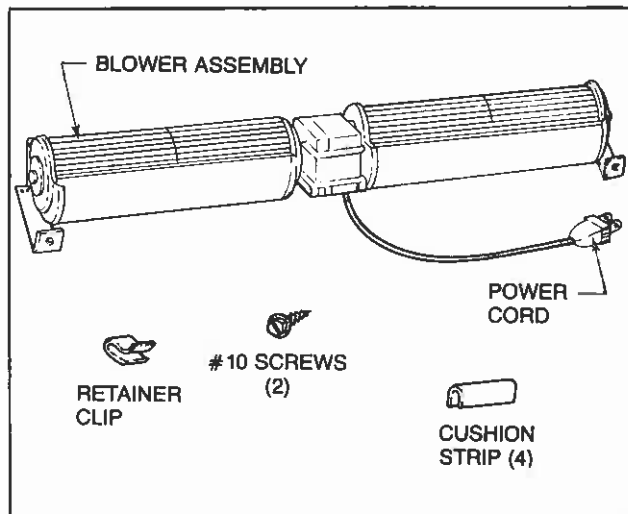


Fig. 1. Carton contents.

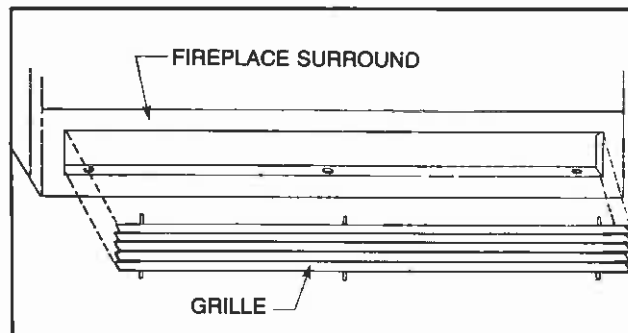


Fig. 2. Grille removal.

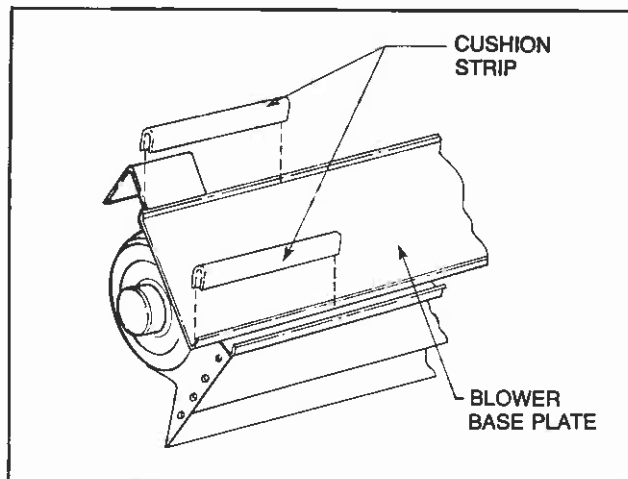


Fig. 3. Attaching cushion strips.

RECOMMENDED OPERATING PROCEDURES

Build your fire in the RC36 fireplace with fan off. After a good fire has developed for at least 15 minutes, turn fan on. Heated air should be delivered at outlet grille.

MAINTENANCE

Periodically check the grilles and remove any dust, dirt or obstructions.

REPLACEMENT PARTS AND CUSTOMER SERVICE

Replacement parts and service may be obtained through your Majestic distributor. If additional information is needed contact:

The Majestic Company
Huntington, IN. 46750
ATTN: Director of Customer Service

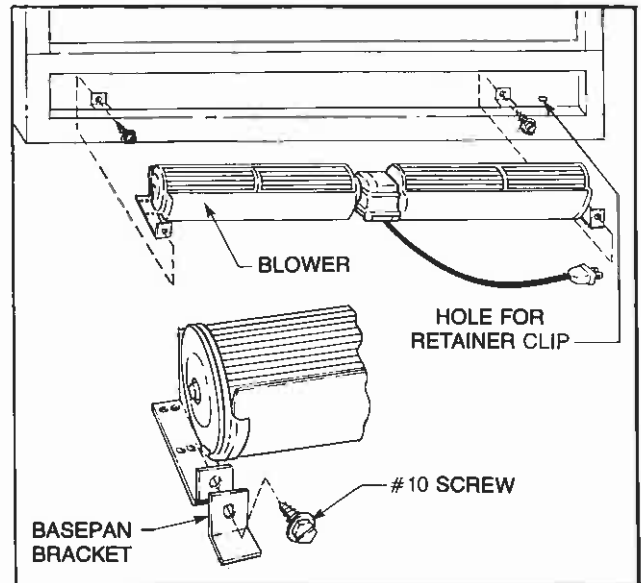


Fig. 4. Blower installation.

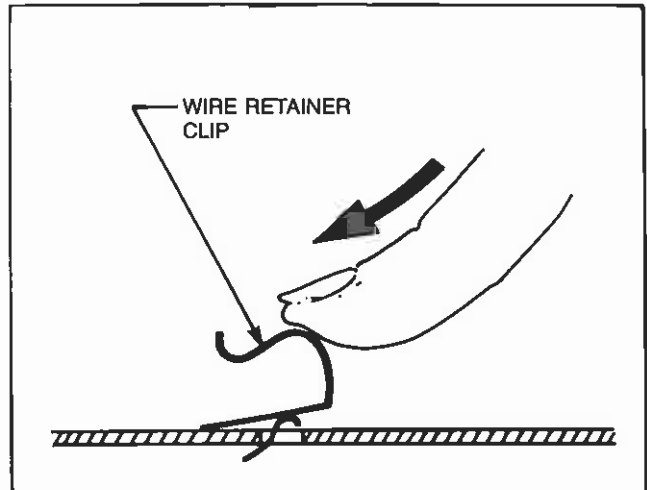


Fig. 5. Press fit retainer clip.

MAJESTIC®

THE MAJESTIC COMPANY, HUNTINGTON, INDIANA 46750

74-12-287 BFI 118/486