

INSTALLATION, SERVICE INSTRUCTIONS
AND PARTS LIST
FOR

PREWAY
a nice warm feeling®

BUILT-IN FIREPLACE
WITH
Prefabricated Chimney

MODELS

MODEL NO.		SIZE
BI28B	TYPE E	28"-Zero Clearance
BI36B	TYPE E	36" – Zero Clearance
BI42B	TYPE E	42" – Zero Clearance

DO NOT INSTALL IN MOBILE HOME

THIS MANUAL WILL HELP YOU TO OBTAIN EFFICIENT, DEPENDABLE SERVICE FROM THE FIREPLACE AND CHIMNEY. AND ENABLE YOU TO ORDER REPAIR PARTS CORRECTLY. KEEP IN A SAFE PLACE FOR FUTURE REFERENCE.

WHEN WRITING, ALWAYS GIVE THE FULL MODEL NUMBER WHICH IS ON THE FRONT OF THE RIGHT PORCELAIN FIREBOX SHIELD.

DO NOT MODIFY OR ALTER THE CONSTRUCTION OF THIS FIREPLACE OR COMPONENTS. ANY MODIFICATION OR ALTERATION OF CONSTRUCTION VOIDS THE WARRANTY AND APPROVALS OF THIS UNIT.



Manufactured by

PREWAY INC.

General Offices and Factory

WISCONSIN RAPIDS, WISCONSIN 54494

COPYRIGHT PREWAY INC.
Printed in U.S.A.

general

Remove all parts and check to be sure they are there. Report to your dealer if any parts are missing or damaged.

One Carton Containing

Fireplace and Spark Strips.

ALSO

Any other cartons you have ordered to complete your chimney installation.

NOTE: To identify pieces, refer to Parts Illustration.

Local Codes

Local building codes should be consulted in all cases as to the particular requirements concerned with the installation of factory built fireplaces.

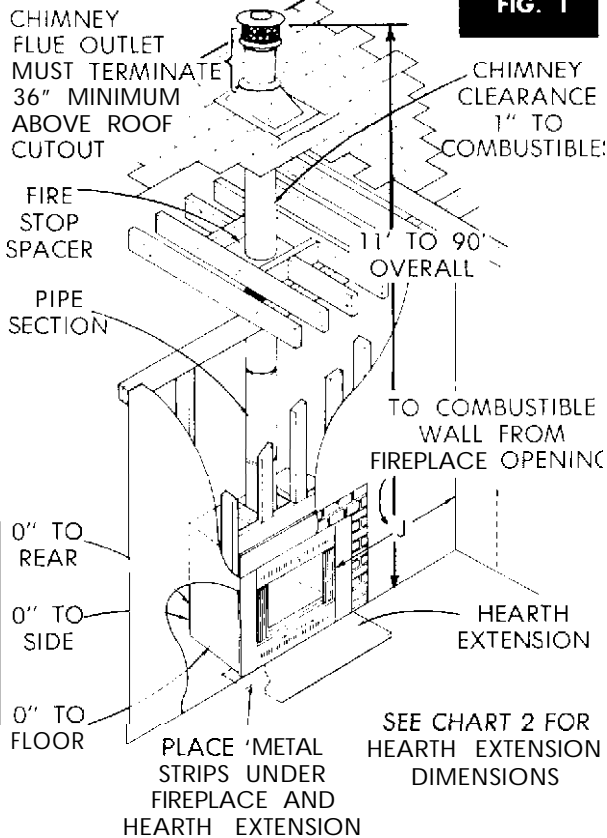
DO NOT INSTALL IN MOBILE HOME

IMPORTANT

The fireplace **may** be installed either with the area above the fireplace open within the enclosed framing (chase framing) or inset from the sides of the fireplace. When inseting is desired the chimney spacer **MUST** be installed (See Fig. 6).

For your safety and protection, fireplace and chimney should be grounded. Use Ground Rod, clamp and wire to ground chimney and fireplace.

Dimensions



NOTE: "J" Clearance may be 12" Minimum with Preway Insulated Wall Shield or Equivalent.

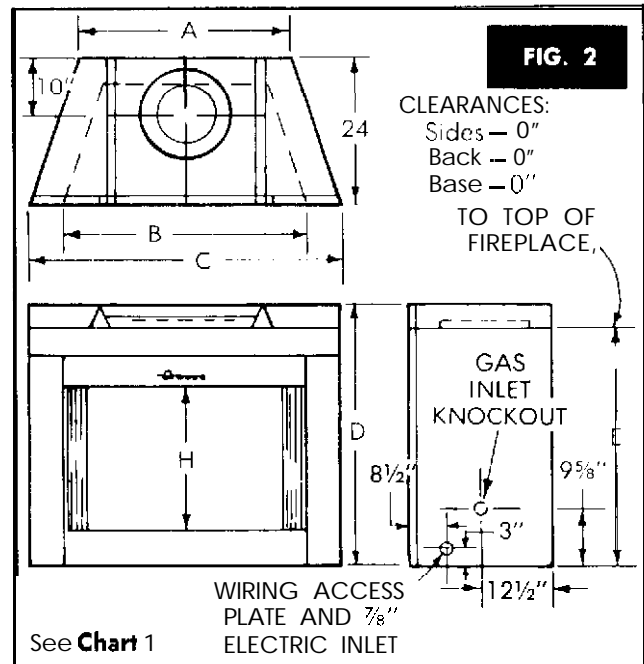
Clearances

When installed in accordance with these instructions, the basic unit may touch combustible materials at the

bottom, sides, and back of the unit. Chimney sections above the joist area require a minimum clearance of one inch to combustible materials. Chimney sections from the top of the fireplace to the first joist are required a minimum clearance of 3 inches. Firestop spacers must be installed at every ceiling level which will automatically provide the necessary clearance to the joist.

Any fireplace must not be installed closer than specified in Chart 2 (Page 3) to any unprotected combustible wall, perpendicular to the fireplace openings (See Fig. 1) unless a Preway wall shield, Model WS40 or an equivalent, approved by the local authority having jurisdiction over the installation of the unit, is installed. This does not apply to corner installations. (See Fig. 4.)

Floor which supports fireplace does not have to be reinforced unless the material used for facing is very heavy: (i.e. Flagstone - large areas of brick, etc.)



See Chart 1

CHART 1

Dimensions 28", 36", 42" Fireplace

	B128B	B136B	B142B
A	22"	30"	36"
B Width of Opening	28"	36"	42"
C	38"	46"	52"
D	To Top of Spacers		
	40 ³ / ₈ "	42 ³ / ₈ "	44 ³ / ₈ "
E	To Top of Fireplace		
	36 ¹ / ₈ "	38 ¹ / ₈ "	40 ¹ / ₈ "
H Height of Opening	16"	18"	20"
J	36"	36"	36"

NOTE: This fireplace is NOT intended as a furnace to heat an entire home. Use for supplementary heating only.

location INSTALLATION

The overall height from bottom of fireplace to chimney flue outlet is to be not less than 16' for Models B128B, B136B or 12'6" for the B142B with the standard chimney termination. (8RTSA or 10RTSA). If Decorative Chimney (DCT) is used overall height may be reduced on B128B and B136B to 12'6". B128B and B136B overall height may be reduced to 11' by using a 8FSL Thimble in place of a firestop spacer at first joist area. Installation may be 90 feet in height but must be supported at every 35 foot level.

Fireplace location will be influenced by such factors as traffic in rooms, doors and windows and construction above and below the fireplace.

Fireplace may be installed in any location which will provide the necessary clearances. A location that requires cutting the least number of joists or rafters will simplify and reduce installation cost. The fireplace may be installed directly on the floor or elevated on a wooden or masonry platform if desired. **However, the floor or platform must be solid and continuous to prevent any air from entering the room from under the fireplace. See Page 5 for chase construction.**

The fireplace may be positioned and then the framing built around it or the framing may be constructed and the fireplace pushed into the opening. (See Fig. 10.) The dimensions shown on Pages 2 and 3 may be used to construct the fireplace opening.

CORNER INSTALLATION

This can be the most economical in rooms where wall space is at a premium. Because of the slanted sides, the fireplace seems to take less area of floor space than being projected into the room from a flat wall. (See Fig. 5.)

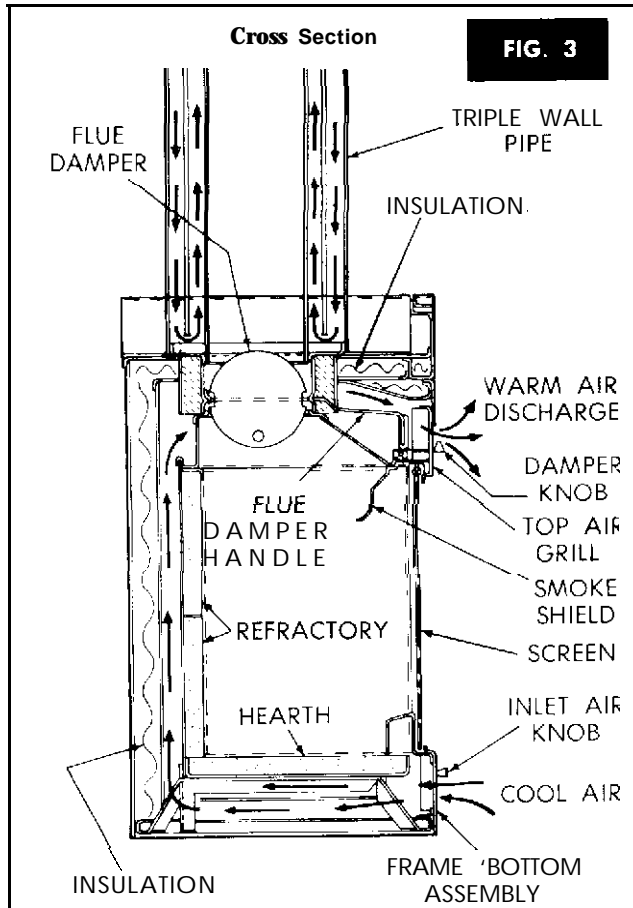


FIG. 3

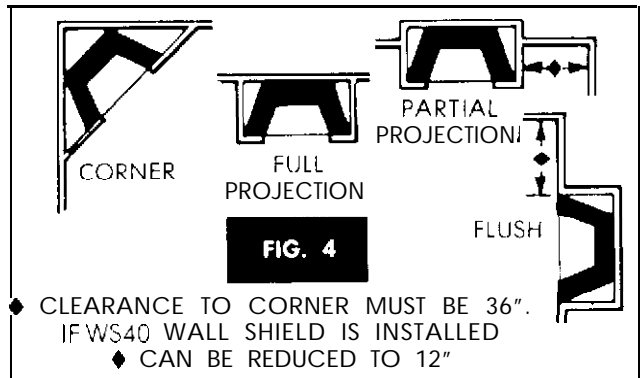


FIG. 4

◆ CLEARANCE TO CORNER MUST BE 36".
IF WS40 WALL SHIELD IS INSTALLED
◆ CAN BE REDUCED TO 12"

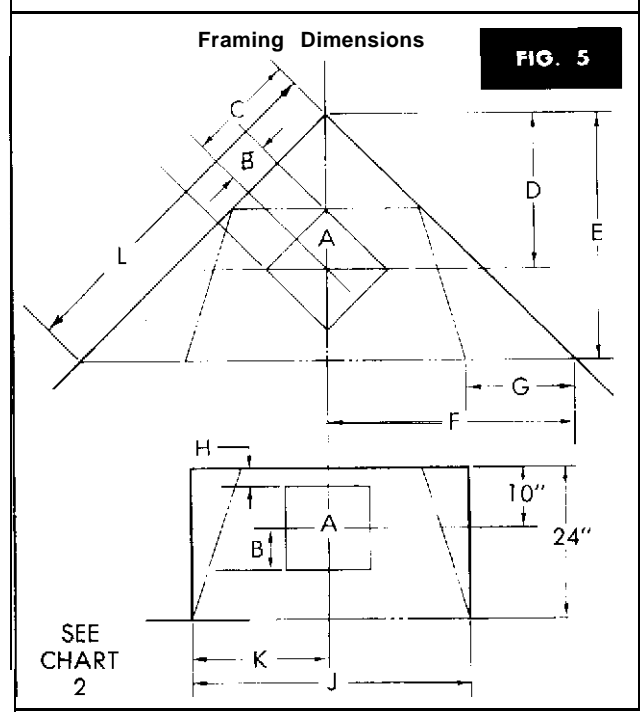


FIG. 5

CHART 2 Dimensions 28", 36" 42" Fireplace

Measurement	B128B	B136B	B142B
A	14½" SQ.	14" SQ.	16½" SQ.
B	7"	7¼"	8¼"
C	15"	17¾"	20"
D	21"	25"	28"
E	35"	39"	42"
F	35"	39"	42"
G	16"	16"	16"
H	2"	2"	1¾"
J	38"	46"	52"
K	19"	23"	26"
L	49½"	55½"	59½"
With 8FSL Firestop Spacer at First Joist Area			
A	17" SQ.	17" SQ.	
B	8⅞"	8⅞"	
H	1¼"	1¼"	
HEARTH EXTENSION	42"x 16"	52"x 16"	66"x 20"

NOTE: Los Angeles code requires Hearth to be 12" each side of Fireplace opening and 20" deep.

installation

CAUTION

If framing is to be inset from the sides of the fireplace above the fireplace then the chimney spacers (Part No. T18691) must be attached before framing.

Installation

1. Decide location, type of installation, etc. and lay "X" on floor.
2. Frame cavity (closet) or opening for fireplace.
3. Prepare floor by installing hearth extension and platform, if desired. Place metal strips (provided) under fireplace and extending out to where it will be under hearth also. (See Fig. 1.) This will prevent any sparks from reaching the floor.
4. Place fireplace in position. Attach elbow or straight section of triple wall pipe in place on top of fireplace. Attach with 3 screws provided. When triple wall pipe rises through joist area, use firestop spacer. NOTE: If 10" diameter triple wall pipe is used, joist will have to be cut and boxed. (See Fig. 11.)
5. Frame around fireplace sides and up to ceiling add sections of pipe as you frame.
6. If triple wall pipe section goes through framed opening in ceiling, install firestop spacer by sliding up over triple wall pipe section and nailing to bottom side of joists.
7. If an offset is needed to miss a joist or beam, use two elbows and pipe as needed. See instructions below.

To Install Elbows

Maintain 1 inch minimum clearance to combustibles for sections located above the joist area where the fireplace is located. Maintain 3 inch clearance to combustibles for sections located directly above the fireplace (See Figure 6).

1. Place elbow (without straps) on vertical triple wall pipe, (or an fireplace), pointed in the direction offset is required. Turn slightly until screw holes align and attach with three screws provided.
2. To achieve minimum offset, (see chart on back page) attach return elbow (with 18" straps) to first elbow with screws provided. To achieve further offset, you may install various lengths of triple wall pipe between the elbows to a maximum length of 15 feet. (This must be supported with straps every 6 feet.) (See Back Page.)

IMPORTANT: If gas line or outside combustion air is to be built in to fireplace — install it before framing in fireplace.

Frame work around the fireplace (either in flush or projected installations) can be planned to incorporate, book shelves, wood bins, closets, etc.

Fireplace framing will be governed by the face materials used, and how far above and to each side they will extend.

When the fireplace is installed on a combustible floor, a non-combustible hearth extension must be used to protect the floor in front of the opening. (See Chart on Page 2 for proper dimensions.)

Hearth extension and fireplace may be built on the finished floor, or recessed into the floor, or raised above the floor by use of a platform. A flat level surface must be provided for hearth extension and fireplace.

The fireplace may be placed on a platform in order to apply the face material completely around the opening. CAUTION — Do not block off air opening at bottom of fireplace.

The Hearth Extension must extend at least 16" in front of and at least 8" beyond each side of the fireplace opening for the B128 and B136 and 20" in front, 12" on each side of the fireplace opening for the B142. Use Preway Hearth Extension Y13917 for 28". Y13259 for 36" and Y13560 for the 42" fireplace. The Hearth Extension may be covered with non-combustible materials which do not ignite and burn. These are steel, iron, brick, tile, concrete, slate, asbestos, glass or plaster or any combination.

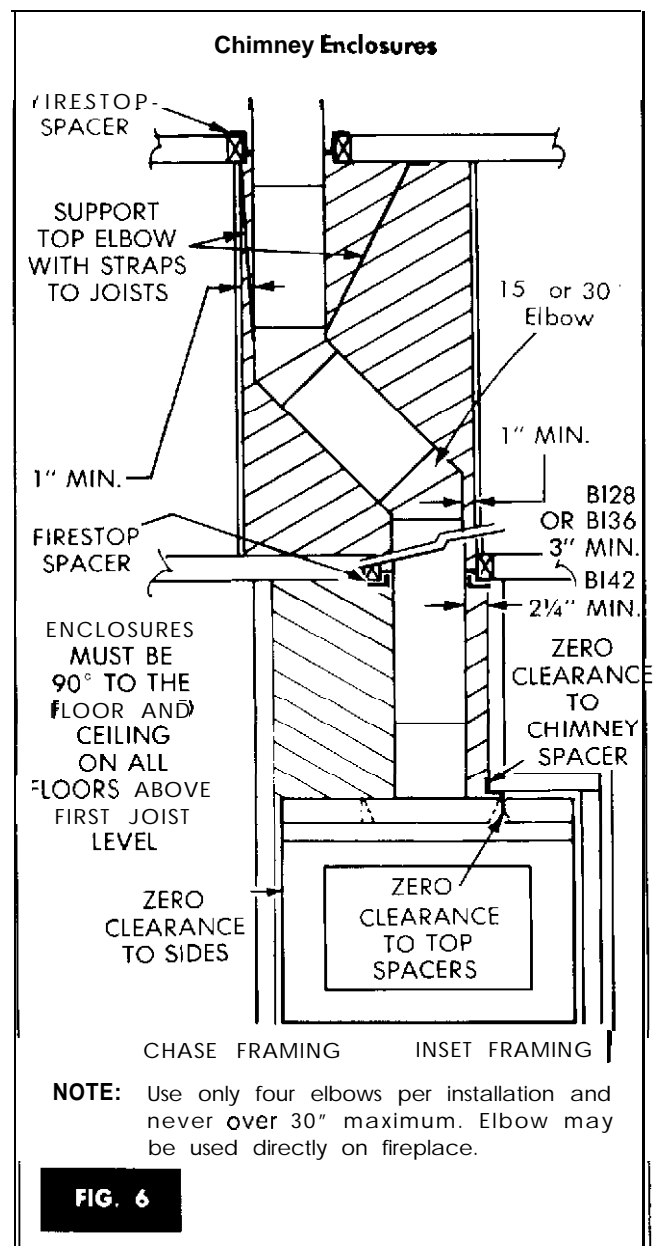


FIG. 6

installation

Chimney Chases

A chase is an enclosure for the fireplace and chimney or multiple chimneys alone. It can start from the basement floor line, first floor, part way up the outside wall or on the roof itself.

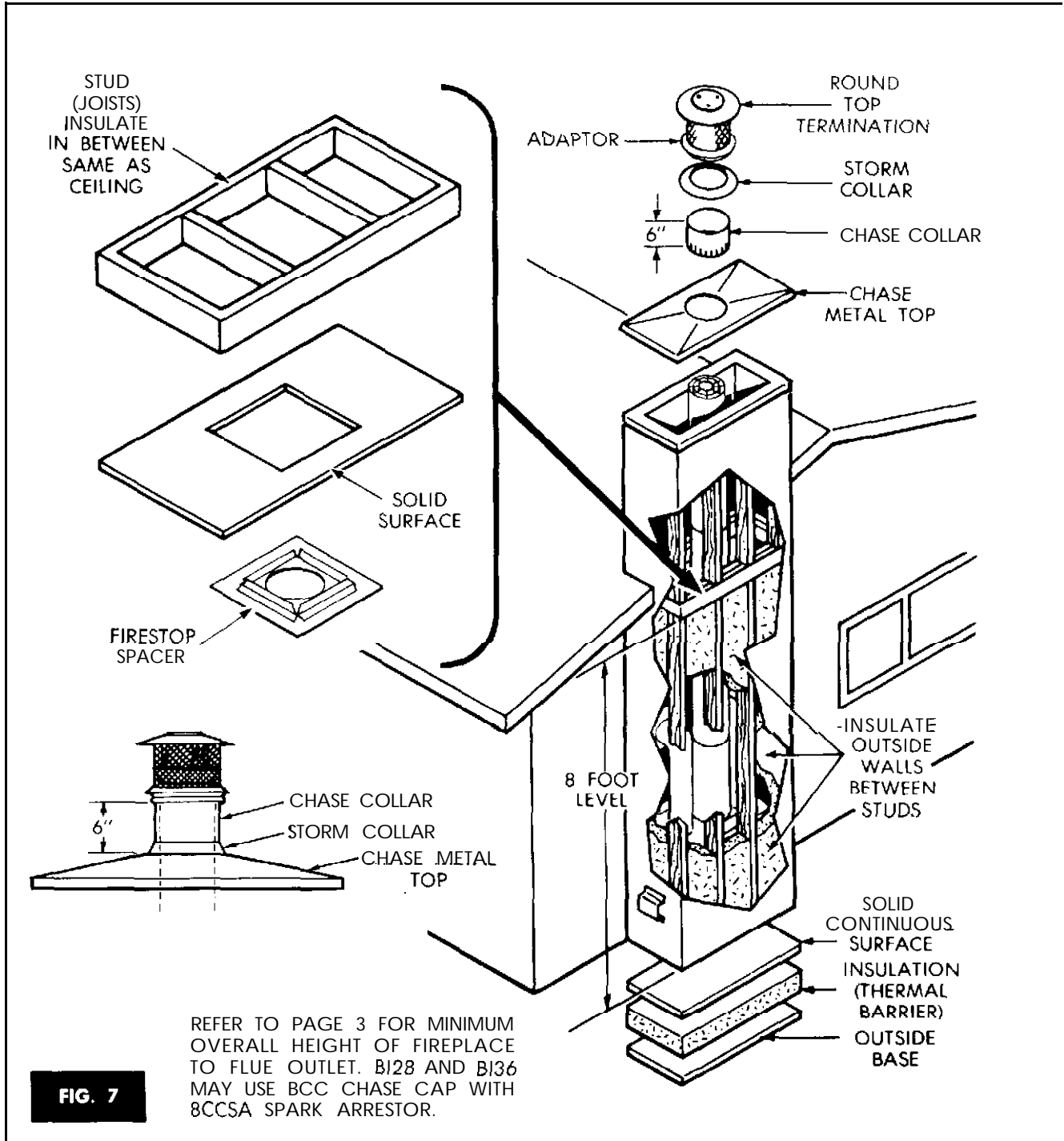
Consult local codes regarding height and construction details in your area.

A chase should be constructed (and insulated) just as any other outside wall. The outside cover must be of a material designed for exterior use. The fireplace must have the same insulation as used in the house side walls. Many codes require a closure at the first ceiling level with a fire stop spacer installed.

The chase **must** be insulated up to a minimum of this level (higher if more than one story) and also the closure insulated with ceiling insulation.

The base of the chase must also be insulated between the solid continuous floor beneath the fireplace and the chase bottom. This will break the cold conductivity into the fireplace.

A metal pan, made by local sheet metal shop, must cover the complete top to prevent water leakage. A 6" high collar attached to this pan will keep the triple wall pipe at its proper minimum height above the pan. Use water proof caulking around all seams to be sure it is weather tight. By constructing a chase in this fashion, the fireplace will be installed in a "warm" room and cold air will be prevented from entering the home through any portion of the fireplace.



installation

INSTALLING THE OPTIONAL OUTSIDE AIR KIT (CAK-42)

NOTE: This Kit must be installed before fireplace is framed in.

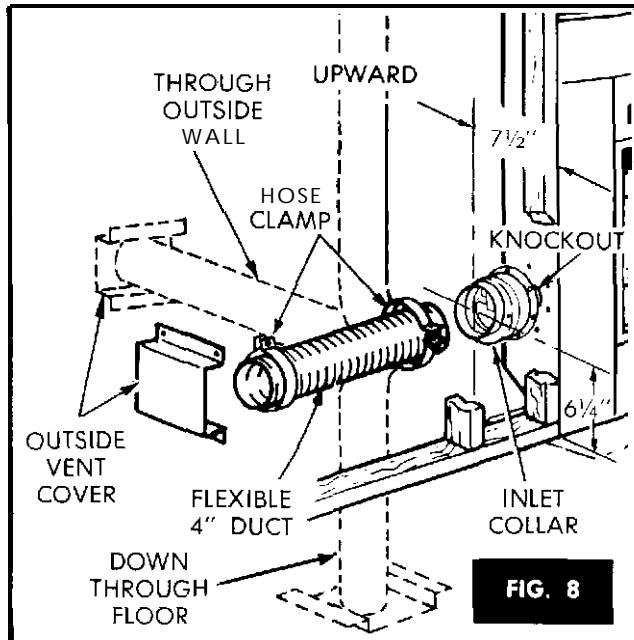


FIG. 8

Installing the Optional Combustion Air Kit (CAK-42)

The kit consists of an inlet collar (with barometric damper), 42" length of 4" flexible metal duct, outside vent cover assembly and two hose clamps.

Remove the 2" diameter knockout on the lower left side of the fireplace and mount the air inlet collar over it (6 screws). The barometric damper in the inlet will automatically open or close as the combustion air is needed.

The combustion air duct can be straight upward or downward along side of fireplace, or to the rear if fireplace is on an outside wall or in a chase.

The barometric damper will allow the combustion air to be taken from any direction.

DO NOT TAKE AIR FROM ATTIC SPACE, ABOVE THE ROOF, OR ANY OTHER ROOM (ESPECIALLY GARAGE). Do not take air from any area where another fuel burning appliance is installed.

If the flexible duct is not long enough to reach the outside, it can be extended with any 4" diameter metal pipe to any length needed.

When installing the inlet collar, be sure the label "This Side Up" is toward the top or the dampers will not work properly. Attach the duct to the inlet and outside vent securely with the hose clamps. Use duct tape on all joints to be sure they are air tight.

Installation

1. Remove 2 inch round knockout from lower left side of fireplace.
2. Position inlet collar (Label "This Side Up" must be facing up). Fasten securely with six screws provided.
3. Locate outside vent cover and cut a 5" min. diameter hole for the 4" flexible air duct. Be sure

to extend the 5" opening all the way through to outside. It must be through any insulation, vapor barrier, or sheet metal to the outside of the home.

4. Attach duct to outside vent cover with hose clamp provided, push duct (with vent cover attached) through wall or floor from outside and secure duct to inlet collar on fireplace with hose clamp provided. Use duct tape on all joints to be sure they are air tight.
5. Attach outside vent cover to wall or flooring with four screws provided.

FINISHING

Fireplace may be installed so face material is flush with, or projecting in front of finished wall. For flush installation, fireplace is recessed back of finished wall surface, the thickness of the face material.

For projecting installation, the fireplace is flush with finished wall at minimum and can be any distance into the room. (See Fig. 4.)

Flush installations are recommended for smooth or thin face materials. Use a molding to cover crack between finished wall and face material.

Projecting the fireplace into a room allows a more shallow cavity to be used to contain the fireplace. It will accent large natural materials (i.e. fieldstone) used for face material. The cracks between face material and wall can be filled with colored caulking, or mortar. The top is usually covered by a mantel

NOTE: Any mantel must be at least 12" from the top of fireplace top grille opening.

- Do not block off the air opening at the bottom of the fireplace

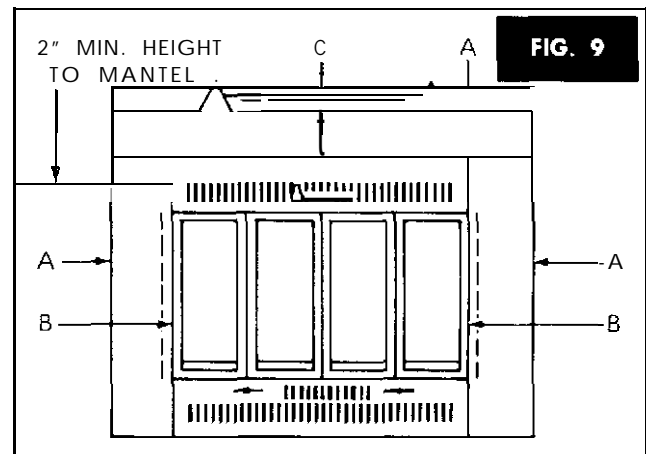


FIG. 9

NOTE

Do not allow any opening between the front of the fireplace and the surrounding materials. Cold air may enter or hot air be lost if there is an opening. Fill this area with non-combustible caulk or equal. Check with local codes for installation procedures.

- A Do not install combustible material closer than line A.
- B Do not install non-combustible material any closer than 1/2" to line B for clearance for doors.
- C Non-combustible material can be installed up to this line.

installation

FINISHING

- For finishes using non-combustible facings, the materials may overlap the frame of the fireplace up to within $\frac{1}{2}$ " of the opening on either side. It should not extend below Line C (Fig. 9) above the fireplace opening. The finished materials may be anchored using metal screws into the fireplace frame.

- The framing of the fireplace may be covered with any non-combustible facing material, i.e., light-weight stone, brick, veneer, ceramic tile, etc.

CAUTION

Do not block off the circulating air opening at the bottom front of the fireplace.

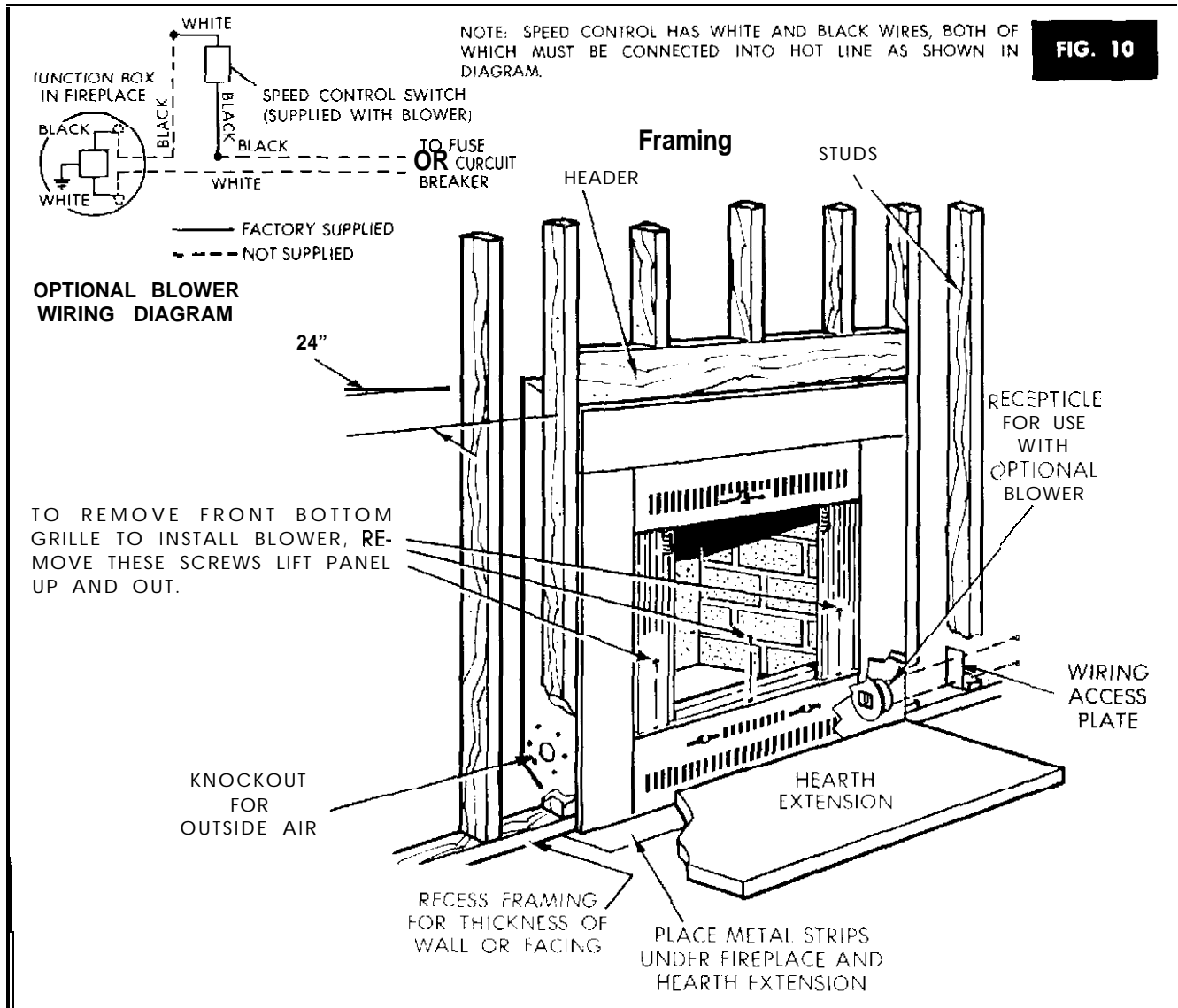


FIG. 10

An electric junction box (with grounded receptacle) is located at the lower right, behind the bottom grille (Fig. 10). This is for use with the optional blower only (Page 15). The front of bottom grille may be removed by unscrewing three screws in grille and lifting grille up and out (Fig. 10). Electrical wiring connections may be made through the wiring access plate without removal of receptacle or grille,

Wire the receptacle into an electrical circuit during the framing of the fireplace. A U.L. listed AC general use wall switch rated at 15 Amp. 125 VAC minimum may be used in the circuit or the speed control supplied with blower. The fireplace junction box has a

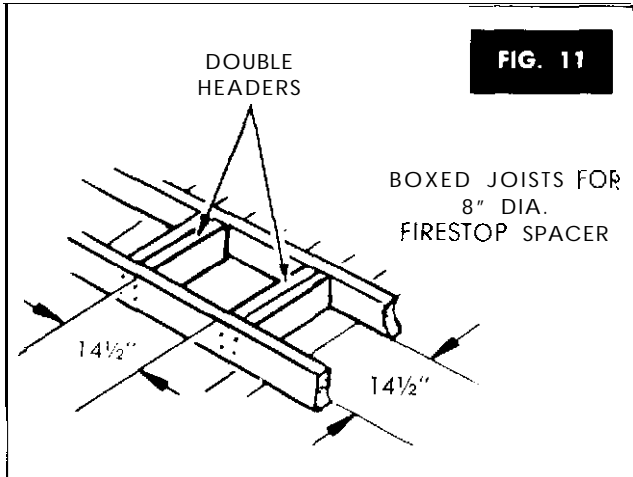
wiring access plate, next to the $\frac{3}{8}$ " hole provided for connection of an electric wire fitting. Refer to wiring diagram above. Locate the switch in a wall box close to the fireplace.

Installation of wiring must comply with the National Electrical Code and all local codes and their requirements. The wiring should be installed by a qualified person.

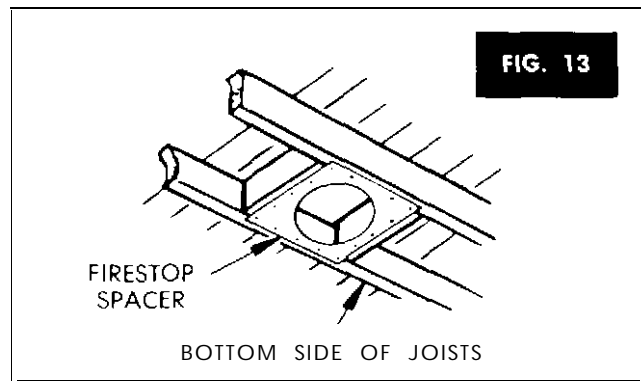
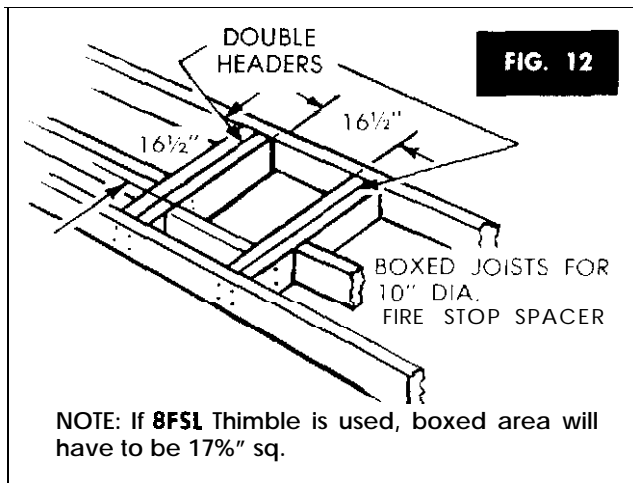
Secure fireplace in place with blocks nailed to floor. **IMPORTANT:** For your safety and protection, the fireplace and chimney should be grounded. Use a ground rod, clamp and wire or other means to ground fireplace and chimney. Consult codes having jurisdiction.

installation

Cutting Hole in Ceiling



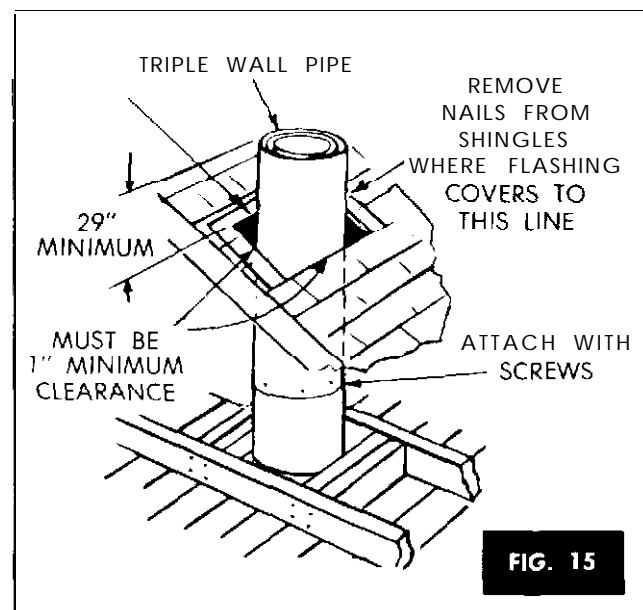
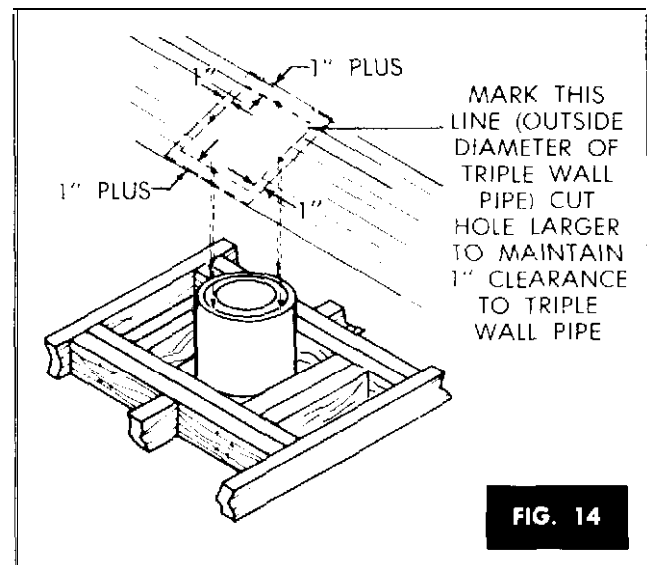
1. Locate center of opening in ceiling to prevent joist being cut if possible. Firestop spacer in ceiling for 8" dia. pipe will fit between standard spacing of joists.
2. Drill hole in center of opening through ceiling and layout 14 1/2" square opening on ceiling for 8" dia. pipe, (16 1/2" square opening for 10" dia. pipe) firestop spacer.
3. Cut out opening. Double headers should be placed between joists for extra support and nailed in place. (See Figs. 11 and 12.) NOTE: If 30' firestop spacer is used, the long side of opening must be 22 1/2", with 8" dia. pipe; or 24" with 10" dia. pipe.



located at the bottom of each framed opening in any floor or ceiling that the Triple Wall Pipe passes through, (See Fig. 13), except uppermost where insulation is between joists. Then spacer must be on top of joists.

Portions of the chimney that may pass through accessible spaces must be enclosed maintaining 1" minimum clearance to avoid personal contact with or damage to the chimney.

Keep Insulation Away From Chimney!



installing the chimney

If Chimney Passes Through Floor or Ceiling

If chimney passes through a floor or ceiling, a fire-stop spacer must be used. Firestop spacer should be

installing the chimney

Cutting Hole in Roof

1. Find the size hole to cut into roof by using a string and plumb bob and marking four sides of the triple wall pipe on the inside of the roof.
2. Lay out roof opening larger, to keep 1" minimum clearance from triple wall pipe to combustibles in finished opening.
3. Cut out opening. Save shingles for covering flashing. A rafter may have to be cut to make opening. Place headers between remaining rafters and nail in place. Place additional rafter section to maintain 1" clearance (See Fig. 14).

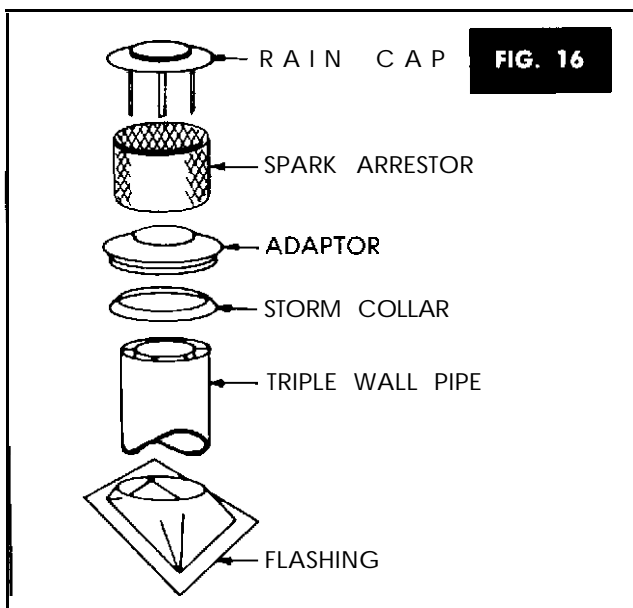
Adding Pipe Sections

1. Add sections of triple wall pipe. Rotate each section until seam is aligned and key and notch are mated.
2. Fasten together until top section is at least 29" above highest point of roof cutout.
3. Caulk seam notch and any open screw holes, on any joints above flashing (See Fig. 17).

IMPORTANT

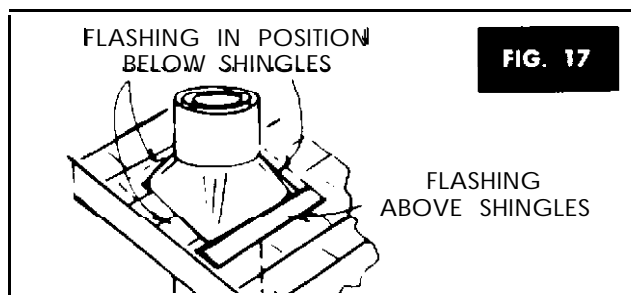
NOTE: If Square Decorative Chimney (Model DCT) is to be used, refer to instructions included with the Decorative Chimney at this point to finish above the roof installation.

installation, contemporary round chimney above roof



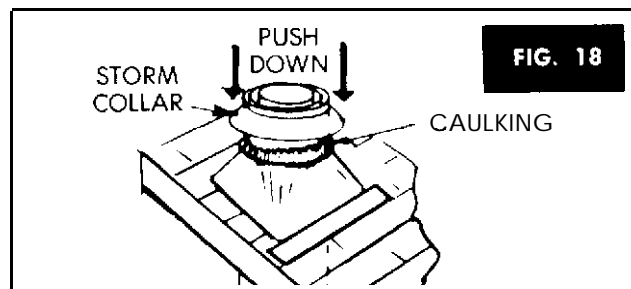
Installing Flashing

Place flashing over triple pipe and mark outline on roof. Remove nails from shingles in this outline to bottom edge of roof cutout (See Fig. 17). Coat area on roof with roof cement. Slide flashing under shingles into position and re-nail top and side shingles. DO NOT nail through lower portion of flashing. If necessary, cover side and top of flashing with salvaged shingles.



Installing Storm Collar

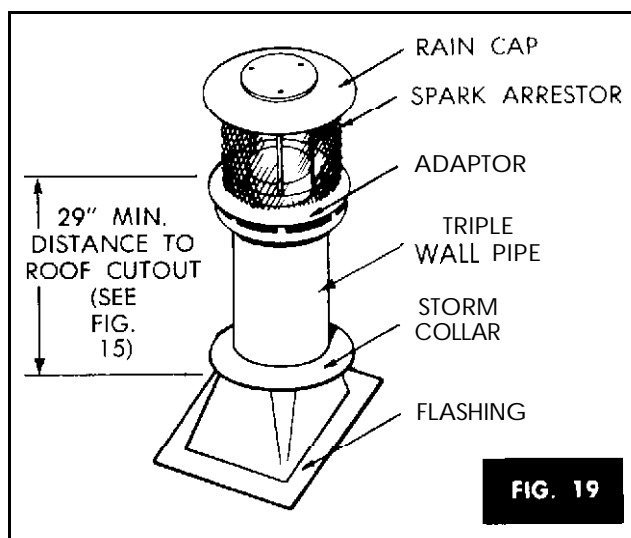
Install storm collar and raise upward. Apply waterproof caulking around flashing where collar fits at top of flashing. Push storm collar down securely on sealer and flashing (See Fig. 18).



Finishing Chimney

Important: Chimney outlet must be at least 3 feet above roof cutout. It also must be at least 2 feet above the highest point of the roof within 10 feet in a horizontal plane.

If the Triple Wall Pipe is not 29" above the highest point of the roof cutout, additional Triple Wall Pipe **MUST** be used to attain proper roof clearance. These sections are attached as described previously.



When triple wall pipe is used to extend chimney, extra sections are attached as described previously. The RTSA Round Top Assembly is then attached to the triple wall pipe. To attach, slide the Round Top brackets over outside wall of triple wall pipe and rotate until holes line up. Attach with three screws provided (See Fig. 19).

It is recommended that all exposed parts of the chimney be painted with galvanized primer paint. Then a coat of paint to match the decor of the home may be applied.

installation

Installing Gas Line for Gas Lighter

IMPORTANT: Install gas line before framing fireplace.

If desired, a gas lighter may be installed. Use only iron pipe, 1/2" size, and appropriate steel or malleable iron fittings.

When installing a gas line, a valve of an approved type, designed for installation outside the fireplace, is recommended.

Gas line may enter fireplace from either side. Refer to Page 2 for outside entrance knockout location. Remove knockout from outside of fireplace casing with screwdriver. Remove knockout from refractory side carefully to avoid cracking. Center of knockout (marked with a dimple) is 6" forward from rear refractory channel and 2" up from hearth.

Run gas line to just outside entrance hole of fireplace. Part ~~insulation~~ push gas line nipple (7" min.) through to reach inside of fireplace. Attach nipple to gas line. Finish installation by either capping gas line inside fireplace or attaching gas lighter, ac-

ording to instructions with kit. Seal around nipple with furnace cement. Use pipe compound on all joints approved for use with natural or L.P. Gas.

This installation must conform with local codes. In the absence of local codes, the installation must conform with American National Standard Installation of Gas Appliances and Gas Piping, Z223.1-1974 or Canadian installation codes for natural and propane gas burning appliances and equipment CSA 8149.1 and 2.

Test for Gas Leaks

All gas piping and connections must be tested for leaks after the installation is completed.

Be sure the unit is turned off.

Apply soap suds solution to all connections and joints and if bubbles appear, leaks can be detected and corrected.

Do not use a match or open flame of any kind to test for leaks.

Never operate any appliance with leaky connections.

care and operation of your preway fireplace

NOTE: This fireplace is NOT intended as a furnace to heat an entire home. Use for supplementary heating only.

NOTE: Some smoke and odor may occur on first light. This is from oil used in manufacture. This should not reoccur.

5. Keep Preway glass doors and/or mesh screen closed at all times except when adding fuel. Adjust dampers to desired position, being sure fireplace does not smoke.

To Build a Fire

Start with small fires to "season" fire brick and hearth. Gradually increase size of fires to desired height and amount of heat.

Chimney damper opens by pulling handle to right side of slot as far as it will go. Weighted damper will swing fully open. Damper should be open at all times when heat is present in the fireplace. Outside combustion air may be supplied through the installation of a outside Combustion Air Kit CAK-42 (See Page 6). Do not take combustion air from a garage, basement or any other enclosed areas. If Preway glass doors are installed two combustion air dampers are located at front bottom — To open pull knobs toward outside of fireplace.

1. Open mesh screen.
2. Be sure proper size grate is placed as far back in fireplace as it can go. Place several crumpled pieces of paper on grate. Cover paper with small pieces of kindling wood.
3. Light a piece of crumpled paper, open chimney damper (See Above) and hold high inside the chimney. Repeat until a roaring sound is heard.
4. Tight the paper in the grate. **Never use gasoline, kerosene or lighter fluid to light the fire. As the kindling catches, add more or heavier wood until fire is well established, being careful not to "smother" fire.** If equipped with Preway glass doors, open inlet air damper 1/3 to 1/2 open and close glass doors and/or mesh screen completely. When fire settles down and burns steady, re-adjust dampers to proper position for desired fire.

CAUTION

Resinous, green, or sappy wood should not be burnt in this fireplace. When these woods are burnt, volatile products such as turpentine, tar and pitch (creosote) frequently condense on the inner surface of the chimney. These will accumulate over a period of time and then ignite during a hot fire. The result is a roaring noise in the flue, sparks and possible flames out of the chimney top for a short period. To prevent chimney fires check and clean your chimney when necessary.

Hints for Best Results

Your fireplace may be operated with Preway glass doors installed for best results. It should be understood, that with the doors open (even though more radiant heat is felt in front of the fireplace), more heat is lost by using expensive room air that has been heated by your furnace or boiler, for combustion and lost up the chimney. Operating the fireplace with the Preway glass doors closed, and using outside combustion air prevents this loss and will provide the most efficient way of supplying supplementary heat.

1. Keep chimney and flue pipe clean to avoid any flue blockage or smoking. Check and clean at least once a year (more often if necessary).
2. Always open all dampers completely before lighting fire and warming chimney.
3. Keep base of fireplace clear of excess ash accumulation. This will prevent grate "burnout".
4. If starting a fire in a cold room be sure and warm the chimney first, see instruction 3, "To Build a Fire". (It may take two or three pieces of paper before it is warm.) Otherwise fireplace will smoke until flue is warm.

5. A proper size grate promotes a quick and even fire. Be sure grate is placed as far back in fireplace as it can go to allow air to enter the fire from all directions. Be sure ashes do not accumulate under grate. The proper size grate will then be approximately 1½" to 2" from each side and 4" to 6" from glass doors. If it is closer, the excess heat may cause glass breakage.
6. When the fire has gone completely out, close all dampers to prevent excess heat loss and cold air entering. This will also prevent condensation in the chimney and resulting water in hearth. If dampers are not closed, it will result in increased heating bills.
7. To close chimney damper, pull handle to left as far as it will go. To close glass door air dampers, pull knobs to center as far as they will go.

CAUTION

Ventilating fans, exhaust hoods or central heating systems often cause fireplaces to smoke by stealing the fireplace combustion air. If the volume is enough, it can even cause a reverse flow of air down the fireplace chimney causing smoking.

An optional "blower" (190 CFM) is available to aid in the circulation of the heated air from the fireplace (See Optional Equipment, Page 15). It has an adjustable speed control to prevent any cold drafts. It will not create a "blast" of air, but simply keep the room air gently circulating. This will eventually create an even heat throughout the room. This air circulator can be installed at any time and is a very simple procedure (See Note on Junction Box, Page 7). This is why it is important to prewire the fireplace during the framing operation.

If Preway Glass Doors Are Installed

NOTE: Only Preway Glass Doors designed for this model meet U.L. approval for installation.

Only install Preway glass doors designed for the size fireplace.

Always open dampers at bottom of doors (push handles to sides of fireplace) any time heat is present in fireplace.

Keep glass doors closed and dampers full open when burning "solid fuel".

Keep doors closed for most efficient results.

Operation, Preway Bi Fold Glass Doors

Close left door first, being sure door is behind center top retainer clip.

Lift door slightly by handle and push in, until door catch slides over frame edge into proper locked position and holds door closed.

Repeat with right door.

CAUTION

If fireplace is to be operated with Preway glass doors open, the mesh screen must be kept closed to prevent sparks or embers from entering the room.

Preway Bi Fold Glass Door Adjustment

Close doors to be sure they hang evenly. If adjustment is needed, hinges may be raised or lowered for adjustment as the holes are slotted.

Adjust until frames are level. Be sure door is not tight at bottom or top.

If doors tend to "pop" open in center, adjust the door catch behind each handle. Loosen screws, holding handles and push catch down slightly. Retighten screws. (Catch can also be bent slightly to close or expand the "Vee" which catches on the bottom edge of frame.)

Check doors by closing both and see if they remain in closed position. If they still "pop" open, repeat procedure until corrected. The hinges may also have to be raised or lowered.

NOTE

Be sure grate is 4" to 6" back from glass. If closer, there is a possibility of glass breakage.

Hearth and Refractory Cracks

The hearth and rear and side refractories have metal shields behind them to protect any combustibles outside the fireplace if a crack occurs. A crack can be caused by sudden changes in temperature (thermal shock, very hot fires, drafts, etc.). A crack does not impair any usage of fireplace. If you wish to cover and seal a crack, order the F3060 Sealant Kit from your dealer.

Fireplace Parts Replacement Procedure

To Remove Screens

1. Remove screw from top center allowing rod hanger to drop down.
2. Drop end of rod down out of top keyhole.
3. Remove screen and rod.

To Remove Rear Refractory

1. Remove screens as above.
2. Remove smoke shield (4 screws).
3. Remove front bottom grill and ash guard (two screws).
4. Remove top rear refractory holder (one screw each) at top rear corner of refractory sides.
5. Pull rear refractory forward from top carefully (it is heavy). Raise up to clear channel and remove from fireplace.
6. To replace, place refractory on hearth in bottom channel and tilt top backward.

To Remove Side Refractory

1. Remove rear refractory as above.
2. Remove top front bracket (one screw) holding refractory.
3. Swing front side panel out from bottom and remove.
4. Swing front of refractory until it points straight forward.
5. Pull forward until it clears rear holder.
6. Tip toward center and remove.
7. Repeat for other side.

To Remove Hearth

1. Remove rear and side refractory as above.
2. Remove 4 screws on each side holding hearth.
3. Remove spacer from each side and rear refractory holder.
4. Remove rear spacer (one screw at top).
5. Remove remainder of screws from hearth pan.
6. Lift one end until it clears front frame.
7. Lift hearth and remove.

To Replace, Reverse Above Procedures.

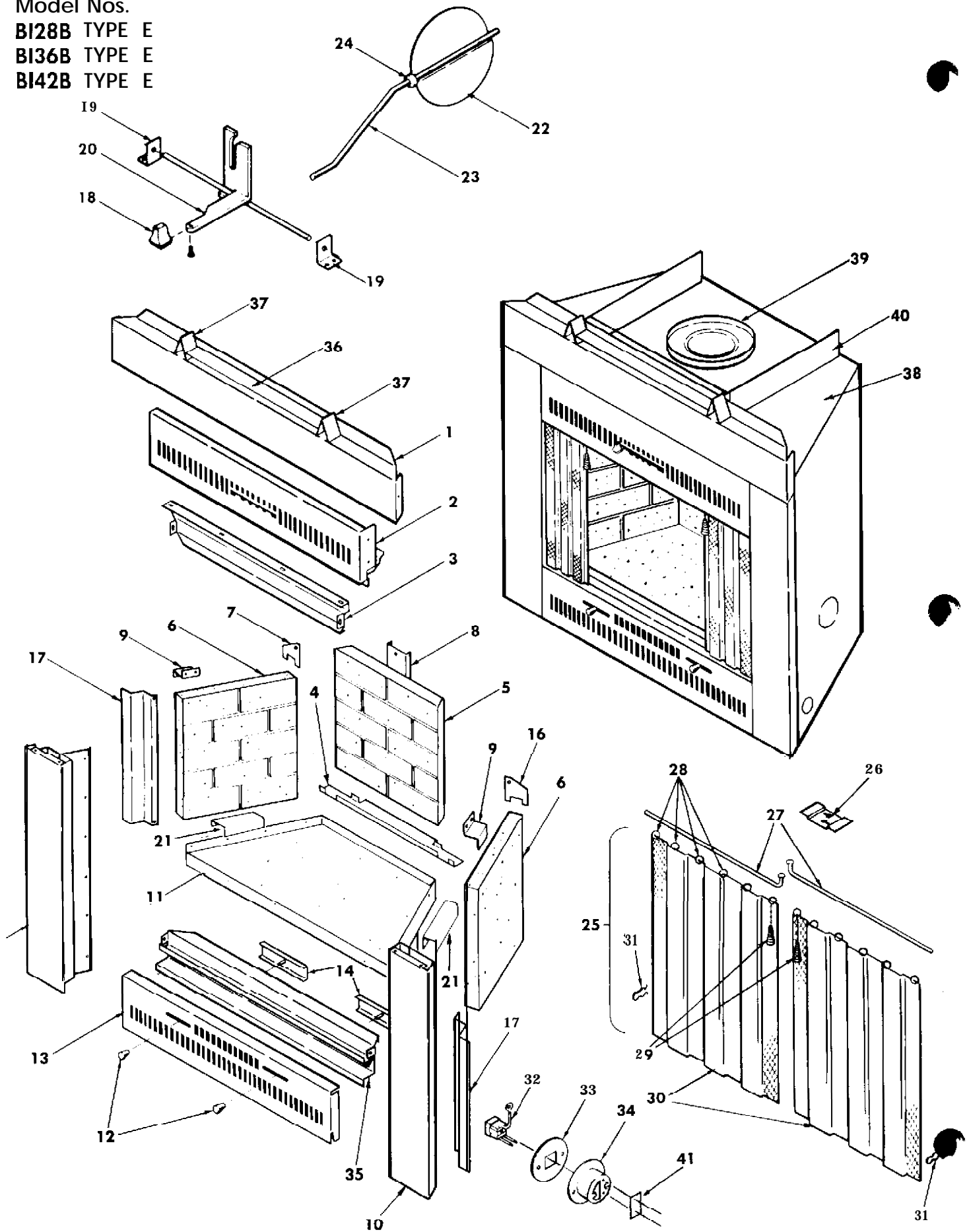
PARTS ILLUSTRATION

Model Nos.

BI28B TYPE E

BI36B TYPE E

BI42B TYPE E



how to order repair parts

PARTS LIST

All parts listed herein may be ordered through your dealer. Selling prices will be furnished on request, or parts will be shipped at prevailing prices and you will be billed accordingly.

WHEN ORDERING REPAIR PARTS, ALWAYS GIVE THE FOLLOWING INFORMATION.

1. The Part Number in this list.
2. The Part Name in this list.
3. The Model and Stock Number is on the nameplate of the fire-place which is on the front right porcelain shield.

Model Nos.
BI28B TYPE E
BI36B TYPE E
BI42B TYPE E

KEY NO.	MODEL BI28B TYPE E	MODEL BI36B TYPE E	MODEL BI42B TYPE E	DESCRIPTION
1	T18068R	T17992R	T18037R	Top Frame
2	Y14495R	Y14484R	Y14506R	Top Grill
3	T19641R	T19642R	T19644R	Smoke Shield
4	T19956R	T19940R	T19965R	Rear Refractory Channel
5	Y15287R	Y15254R	Y15290R	Rear Refractory
6	Y15289R	Y15255R	Y15255R	Side Refractory (2 Req.)
7	T19962R	T19955R	T19971 R	Left Rear Top Spacer
8	T19941R	T19760R	T19966R	Rear Spacer
9	T19944R	T19944R	T19969R	Side Retainer (2 Req.)
10	T19742R	T19744R	T19746R	Right Frame
11	Y13877R	Y15221R	Y13879R	Hearth
12	F3504-1R	F3504-1R	F3504-1R	Knob (2 Req.)
13	T19752R	T19754R	T19756R	Bottom Grill
14	Y14508R	Y14508R	Y14508R	Draft Slide (2 Req.)
15	T19741R	T19743R	T19745R	Left Frame
16	T19963R	T19955R	T19970R	Right Rear Top Spacer
17	T19964R	T19764R	T19972R	Front Side Panel (2 Req.)
18	K15748R	K15748R	K15748R	Knob
19	T19450-IR	T19450-IR	T19450-IR	Riser Rod Bracket (2 Req.)
20	Y14879-IR	Y14879-IR	Y14879-IR	Riser Rod
21	T19960R	T19943R	T19943R	Side Spacer (2 Req.)
22	Y13452R	Y13452R	Y13468R	Damper
23	K17036R	K17036R	K17037R	Damper Rod
24	Z3393R	Z3393R	Z3393R	Spacer
25	Y14517R	Y14522R	Y14523R	Complete Screen (2 Req.)
26	T19269R	T19269R	T19269R	Rod Hanger
27	K15589R	K15244R	K15572R	Rod (2 Req.)
28	K14273R	K14273R	K14273R	Ring ●
29	Y13321R	Y13321R	Y13321R	Handle (2 Req.)
30	K16731R	K16389R	K16738R	Screen (2 Req.)
31	K15311R	K15311R	K15311R	Screen Clip (2 Req.)
32	K17033R	K17033R	K17033R	Receptacle
33	T19448R	T19448R	T19448R	Cover
34	T19901R	T19901R	T19901R	Junction Box
35	Y15156R	Y15157R	Y15158R	Ash Guard
36	T18137R	T18137R	T18138R	Top Shield
37	T17993R	T17993R	T17993R	Spacer (2 Req.)
38	T18684R	T18685R	T18686R	Case Top
39	T19544R	T19544R	T18689R	Top Insert
40	T18687R	T18687R	T18687R	Top Spacer (2 Req.)
41	T19902R	T19902R	T19902R	Wiring Access Plate
‡	T19495R	T19931R	T19495R	Spark Strip ■
‡	F3824	F3824	F3824	Manual, Parts List
‡	F3060	F3060	F3060	Sealant

* BI28B and BI36B Req. One Rear Spacer; BI42B Req two.

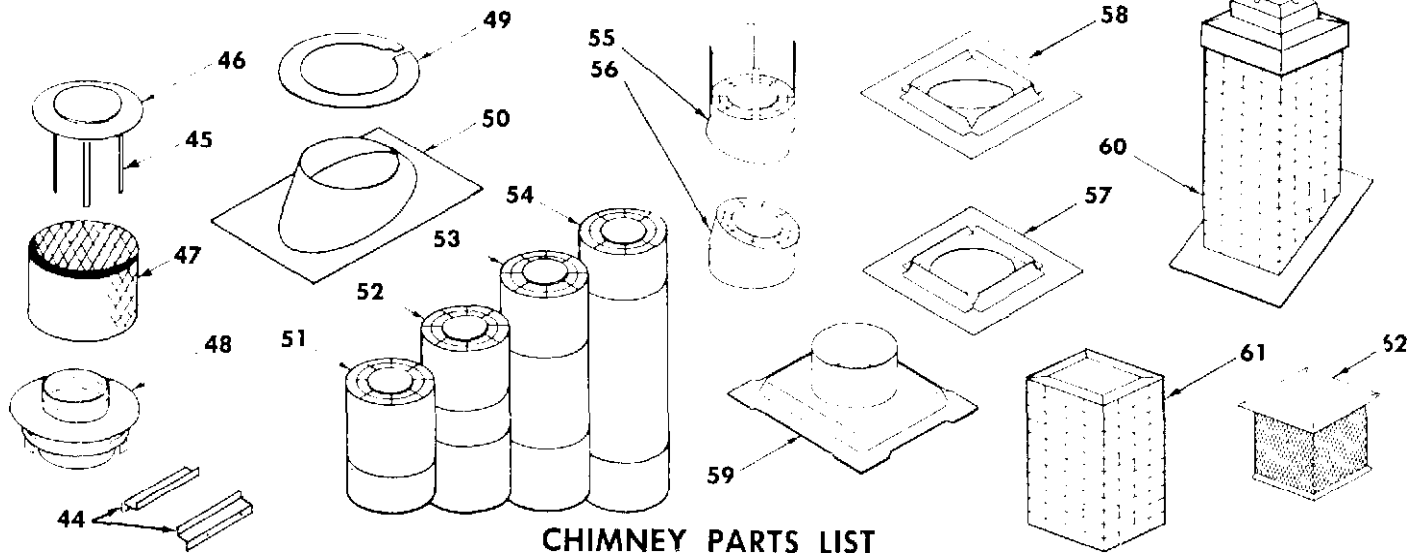
◆ NOTE: BI28B Req. Sixteen Rings; BI36B Req. Eighteen Rings; BI42B Req. Twenty Rings.

■ NOTE: BI36B Req. One Spark Strip; BI28B and BI42B Req Two

‡ Not Illustrated.

Standard Hardware Not Shown — Procure Locally.

PREFABRICATED BUILT IN FIREPLACE WITH ALL FUEL CHIMNEY



CHIMNEY PARTS LIST

8" Diameter Round Chimney

10" Diameter Round Chimney

KEY NO.	PART NO.	DESCRIPTION	
44	T18691R	Chimney Spacer Kit	TSK8

KEY NO.	PART NO.	DESCRIPTION	
44	T18696R	Chimney Spacer Kit	TSK10

†8RTSA(8" Dia.) Round Top (Y14273)

†10RTSA(10" Dia.) Round Top (Y14958)

45	T19516R	Rain Cap	
46	T19515R	Brackets (3 Req.)	
47	K16578R	Spark Arrestor	
48	Y14956R	Adaptor	

45	T19559R	Rain Cap	
46	T19515R	Brackets (3 Req.)	
47	K16578R	Spark Arrestor	
48	Y14957R	Adaptor	

8F6,8F12,8F18,8F24 Flashing & Collar (8")

10F6,10F12,10F18, 10F24 Flashing 8 Collar (10")

49	T16548	Storm Collar (all)	8SC
50	Y12281	Flashing 0'-6-6-12	8F6
50	Y12319	Flashing 6'-12-12-12	8F12
50	Y12320	Flashing 12'-12-18-12	8F18
50	Y12321	Flashing 18'-12-24-12	8F24

49	T18132	Storm Collar	10SC
50	Y13525	Flashing 0'-6-6-12	10F6
50	Y13526	Flashing 6'-12-12-12	10F12
50	Y13527	Flashing 12'-12-18-12	10F18
50	Y13528	Flashing 18'-12-24-12	10F24

† 818, 824, 836, 848. Triple Wall Pipe (8")

† 1018, 1024, 1036, 1048, Triple Wall Pipe (10")

51	Y14587	Triple Wall Pipe (18")	818
52	Y14589	Triple Wall Pipe (24")	824
53	Y14591	Triple Wall Pipe (36")	836
54	Y14585	Triple Wall Pipe (48")	848

51	Y14700	Triple Wall Pipe (18")	1018
52	Y14701	Triple Wall Pipe (24")	1024
53	Y14702	Triple Wall Pipe (36")	1036
54	Y14703	Triple Wall Pipe (48")	1048

† 8E15,8E30. Elbow (8")

† 10E15, 10E30 Elbow (10")

55	Y13275	15° Elbow, Top	8E15
56	Y12787	15° Elbow, Bottom	
55	Y13411	30° Elbow, Top	8E30
56	Y13409	30° Elbow, Bottom	

55	Y13537	15° Elbow, Top	10E15
56	Y13535	15° Elbow, Bottom	
55	Y13522	30° Elbow, Top	10E30
56	Y3521	30° Elbow, Bottom	

† 8F5,8F530-8FSL Firestop Spacers (8")

†10F510F530 Firestop Spacer (10")

57	T16499	Firestop Spacer	8F5
58	T17941	Firestop Spacer, 30"	8F530
59	Y14243	Firestop Spacer Thimble	8FSL
*	T19355	Thimble 10" Extension	8TE
*	T19425	Thimble 24" Extension	8TE24

57	T18109	Firestop Spacer	10F5
58	T18089	Firestop Spacer, 30"	10F530

† 8DCTR,8DCTW Decorative Chimney (8")

†10DCTR,10DCTW Decorative Chimney (10")

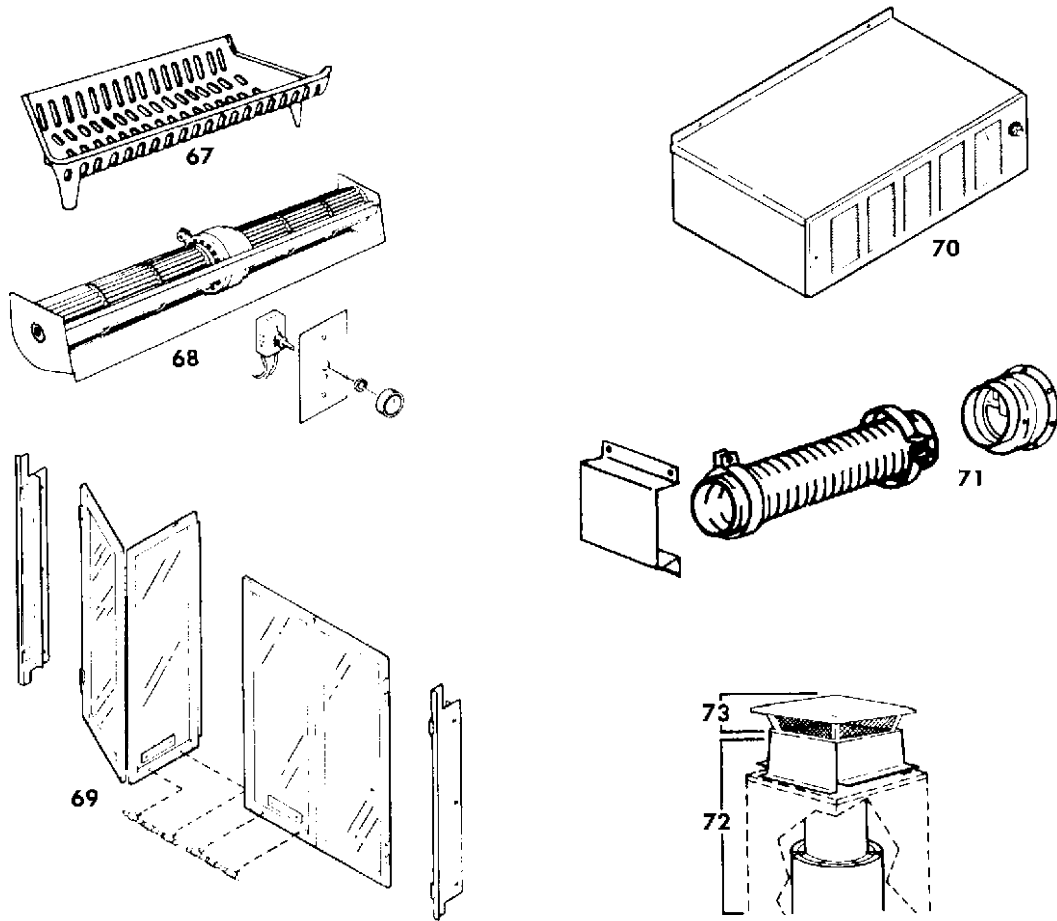
60	T18143-4	Dec. Chm. Pkg.-Red	(8DCTR)
60	T18143-3	Dec. Chm. Pkg.-White	(8DCTW)
61	Y14410-4	Dec. Chm. Ext. 36"-Red	(DE36R)
61	Y14410-3	Dec. Chm. Ext. 36"-White	(DE36W)
62	Y14362	Spark Arrestor Cap	(SA810)
*	T17901	Strap Support Kit	(SK90)

60	†18143-4	Dec. Chm. Pkg.-Red	(10DCTR)
60	†18143-3	Dec. Chm. Pkg.-White	(10DCTW)
61	Y14410-4	Dec. Chm. Ext. 36"-Red	(DE36R)
61	Y14410-3	Dec. Chm. Ext. 36"-White	(DE36W)
62	Y14362	Spark Arrestor Cap	(SA810)
*	717901	Strap Support Kit	(SK90)

† Refer to Your Dealer for These Parts.

• Not Illustrated.

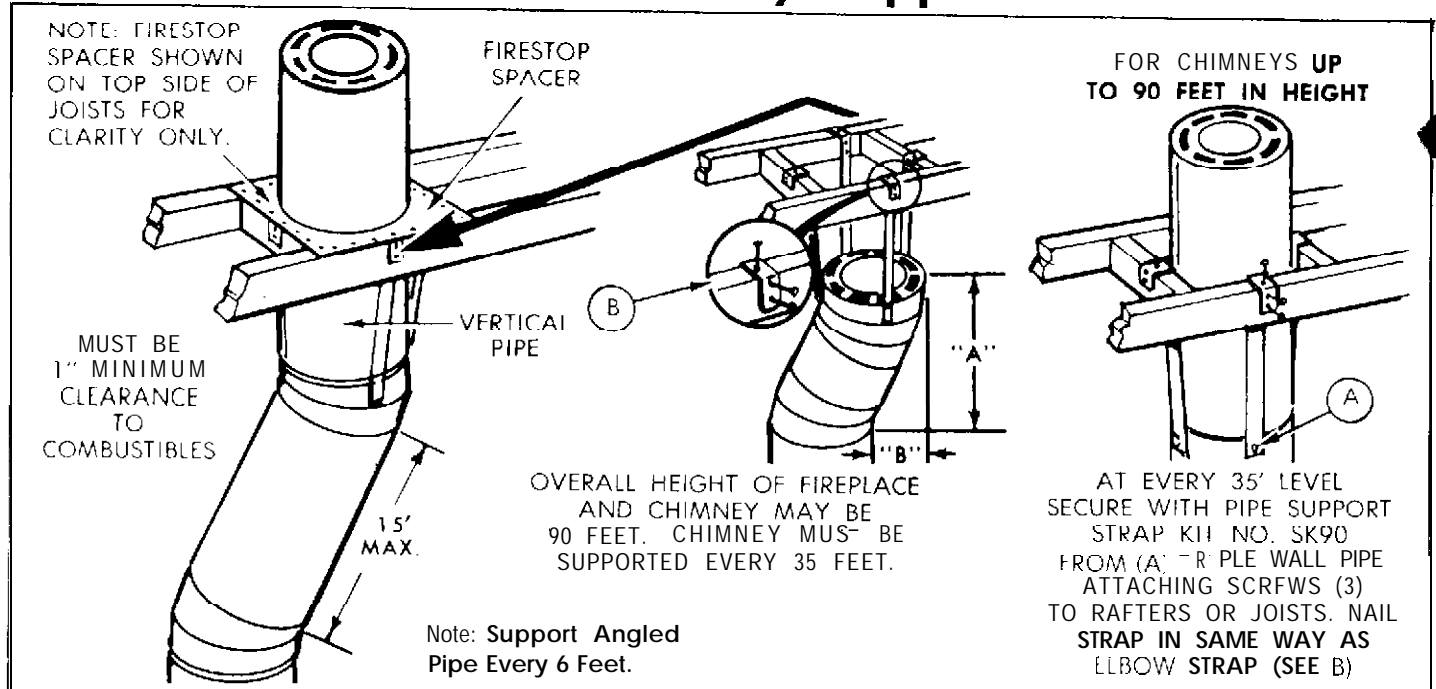
optional equipment



optional equipment

KEY NO.	PART NO.	DESCRIPTION	MODELS TO BE USED ON		
			BI28B	BI36B	BI42B
67	GR15	Cast Iron 15" Grate	X	--	--
67	GR22	Cast Iron 22" Grate	--	X	--
67	GR28	Cast Iron 28" Grate	--	--	X
68	BK190-1	Blower 190 CFM	X	X	X
69	GDB28AB	Bi Fold Door, Antique Brass	X		
69	GDB36AB	Bi Fold Door, Antique Brass		X	
69	GDB42AB	Bi Fold Door, Antique Brass			X
70	PAK275-1	Blower 275 CFM	X	X	X
71	CAK-42	Combustion Air Kit	X	X	X
72	8CC	8" Dia. Chase Cap	X	X	
73	8CCSA	Spark Arrestor for 8CC	X	X	

elbow installation and chimney support



CHIMNEY OFFSET CHART

Number and Length of Triple Wall Pipe				8" Dia. 15" Elbows		8" Dia. 30" Elbows		10" Dia. 15" Elbows		10" Dia. 30" Elbow	
818 1018	824 1024	836 1036	848 1048	Overall Hgt. A	Overall Offset B	A	B	A	B	A	B
0	0	0	0	13%	1%	16%	4½	14⅜	1⅞	16%	4%
1	0	0	0	31	6%	32	13¼	31¾	6½	32½	13½
0	1	0	0	36%	8⅞	37⅞	14%	37½	a⅞	37%	16%
0	0	1	0	48½	11%	47%	22%	49¼	11¼	48	22%
1	1	0	1	54¼	13%	52%	25%	55	12¾	53¼	25%
0	0	0	0	60%	14%	58	28¼	60¾	14¼	58½	28½
1	0	1	0	65%	15⅞	63%	31¼	66½	15%	63%	31%
0	1	1	0	71¾	17%	69	34¼	72⅞	17%	68⅞	34½
1	0	0	1	77%	19	73⅝	37¼	78⅞	19	74	37%
0	0	2	0	83¼	20%	78%	40¼	84	20½	79¼	40%
1	1	1	0	89⅞	22	84	43¼	89%	22	a4½	43%
0	0	2	1	95	23%	89⅞	46¼	95½	23	89⅞	46%
1	0	0	0	100¾	25¼	94¼	49¼	101⅞	25¼	94%	49½
0	0	0	2	106%	26%	99°	52¼	107¼	26%	100	52%
1	0	3	1	112%	28¼	104%	55¼	113	28¼	105¼	55%
0	0	0	0	118¼	29%	109%	58¼	118¾	29⅞	110⅞	58½
1	0	0	2	124	31½	115	61¼	124⅝	31½	115½	61½
0	0	2	1	129%	33	120¼	64¼	130½	33	120¾	64½
1	0	3	0	135⅝	34½	125½	67¼	136¼	34½	126	67%
0	0	1	2	141½	36⅞	130⅝	70¼	142	36⅞	131⅞	70%
1	0	2	1	147¼	37%	135¾	73¼	147%	37¾	136¼	73%
0	0	0	3	153	39¼	141	76¼	152¾	39¼	141½	76%
1	0	1	2	158⅞	40¾	146%	79%	159½	40¾	146%	79%
0	0	3	1	164%	42%	151⅞	82¼	165¼	42⅞	151%	82½
1	0	2	3	170½	44	156%	85¼	171⅞	44	157	85%
0	0	3	2	176%	45½	161¾	88¼	177	45½	162¼	88½
1	0	1	1	182⅞	47	167	91%	182%	47	167½	91%
0	0	1	3	188	48⅝	172⅞	94%	188½	48⅝	172%	94%

NOTE: All Elbow Kits include Offset and Return. DO NOT use more than 15' of triple wall pipe between elbows. DO NOT use more than four elbows per chimney. DO NOT elbow more than 30'. Elbow may be mounted directly on fireplace.

PREWAY
a nice warm feeling™