

CHIMNEYS

Before installing your insert to an existing chimney, care should be taken to see that the chimney is sound. There should be no cracks, holes or loose mortar. If any of these conditions exist, they should be repaired before continuing your installation. The fireplace insert is intended only for installation in a masonry fireplace constructed in accordance with the requirements of the standard for CHIMNEYS, FIREPLACES and VENTS, NFPA 211, or applicable local code requirements. Keep in mind that the minimum flue size is 50 sq. in.

A chimney should extend at least three (3) feet above the highest point where it passes through the roof and at least two (2) feet higher than any portion of a building within ten (10) feet of the pipe.

FIREPLACE INSERT INSTALLATION

1. Secure the fireplace damper in the open position. If this cannot be accomplished it will be necessary to remove the damper.
2. Determine how much of the insert you will have projecting from the fireplace: (6¼" min. to 7" max.)
3. Attach face plate side panels using 3/8 threaded rod and nuts in desired position. (See figure 1) Do not tighten nuts.
4. Starting on either side of unit on bottom, install the ½ dia. gasket rope between side of insert and face plate mounting bracket. (See figure 1)
5. At the top of panel be sure to bunch gasket under the top's lip.
6. Run gasket across the top of the insert and install the gasket rope on the other side of unit.
7. Place the face plate top in position making sure to engage the end clips.
8. Shim face plate top mounting brackets as required using the 3/8" flat washers to ensure a tight fit on the sides of the unit and install 3/8" nuts and bolts. (See figure 2)
9. Check to make sure the face plate is where you want it and tighten all bolts.
10. Attach insulation to back side of face plate at the size of your fireplace opening. (See figure 3)
11. Push insert back into fireplace opening until face plate fits tight against fireplace face.
12. Use the three leveling screws to make final adjustments in alignment with fireplace face. (See figure 5)
13. A floor protector of three (3) layers of ½" thick Johns Manville Ceraform 126 covered with a rigid decorative non-combustible material should be positioned to extend at least 18" in front of insert and 8" beyond each side. (See figure 4)
14. Have your installation inspected by the local fire marshall and inform your insurance company.

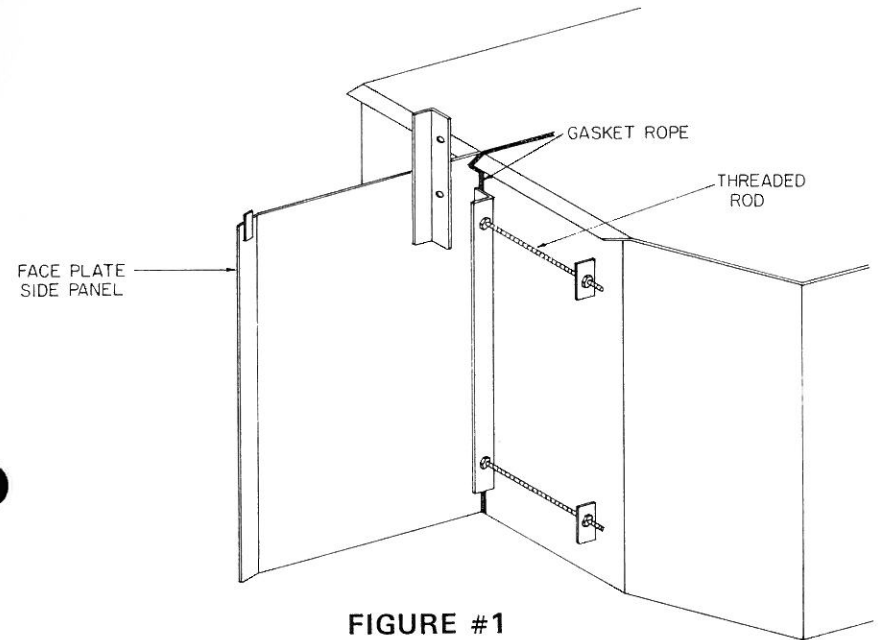


FIGURE #1

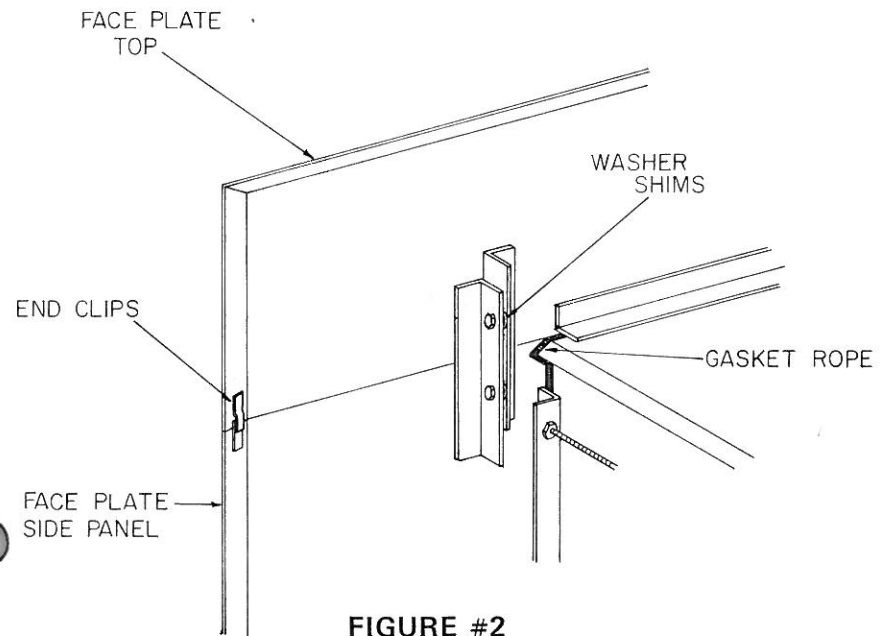


FIGURE #2