

INSTALLING YOUR MARCO WOOD BURNING FIREPLACE



MODEL
DWF36G-2 DWF36G0-2 ~~DWF36F-2~~

CHECK LOCAL CODES PRIOR TO INSTALLATION

OPTIONAL FEATURES: BI-FOLD GLASS DOORS
BLOWER ASSEMBLY
OUTSIDE AIR INTAKE

THIS MANUAL PROVIDES ALL THE INSTRUCTIONS NECESSARY FOR THE BUILDER OR HOMEOWNER TO INSTALL MODELS DWF36G-2, DWF36G0-2, DWF36F-2 MARCO FIREPLACE SAFELY AND EFFICIENTLY: IT ALSO PROVIDES INFORMATION ON HOW TO ORDER REPAIR PARTS WHEN NEEDED.



MARCO MFG., INC. 2520 Industry Way, Lynwood, CA 90262 (213) 564-3201



THIS SYMBOL ON THE PRODUCT
MEANS IT IS LISTED BY
UNDERWRITER'S LABORATORIES INC

ICB0 2578
BOCA NO. 82-60
SBCC REPORT NO. 82101

TABLE OF CONTENTS

Accessories (Bifold Door Kit & Blower Kit)	page 3
Installation Instructions (Introduction)	page 3
Selecting Your Fireplace Location (General)	page 4
Framing Instructions	page 5
Clearances	page 5 & 6
Combustion Air Intake	page 6
Installing Your Fireplace	page 6 & 7
Installation of AIA-36 (optional)	page 7
Installing a Gasline	page 8
Hearth Extension	page 8 & 9
Non-Combustable Decorative Coverings	page 10
Metal Safety Strip	page 10
Examples of Fireplace and Chimney Designs	page 11
How to Determine Your Fireplace System	page 12
Double Wall Chimney Offset Charts Using 30° and 15° Elbows	page 13
Assembling and Installing Your Double Wall Chimney System	page 14 & 15
Terminations	page 15
Clearance to Adjacent Walls	page 16
Electrical Hook-Up for Optional Fans	page 16
Finishing Your Fireplace	page 17
Do's and Don'ts	page 18
Damper Control Lever	page 18
Component Parts and Replacement Parts	page 19
Cold Climate Installation	page 20

KEEP YOUR FIREPLACE SAFE

NEVER USE GASOLINE OR HIGHLY FLAMMABLE MATERIALS TO START A FIRE!

ACCESSORIES

GLASS DOORS:

Bi-fold glass doors are available for use with these model fireplaces as an optional accessory.

Use MARCO model BD36G-2 for model DWF36G-2 and DWF36G0-2 and model BD36F for model DWF36F-2. NOTE: Use of glass doors other than those manufactured by MARCO Mfg. Inc. voids the warranty and may create a potentially hazardous condition.

Refer to the installation instructions that come with the kit for installation details. The glass door kits can be installed before, during or after your fireplace has been installed.

BLOWER ASSEMBLY:

A blower assembly is available for use with these fireplaces as an optional accessory, they are designed to be installed on Marco's factory pre-wired fireplaces only. The blower assembly model BKR36-2S can be installed prior to or after installation of the fireplace.

NOTE: Fireplace must be wired to the house electrical system in order for the blowers to operate. This blower system does not require a wall switch. Refer to the BKR36-2S blower assembly installation instructions for installation details. (See page 16 Fig. 32)

FIREPLACE GRATE

This unit has been equipped with a grate designed to keep the operation of your fireplace efficient and safe. **Do not attempt to defeat its purpose.** The size and position of the grate was engineered to give the ideal combustion characteristics for the fire. By keeping your logs within the grate and not on the hearth, you will prevent the chance of having a log "spill" or roll out of the fireplace. **DO NOT OVERLOAD THE FIREPLACE.** Piling excessive wood on your grate will not increase efficiency and could possibly cause smoke to enter your room. Keep the hearth area under the grate free of excessive ash build-up to allow a free flow of air for the fire.

This fireplace is not intended to be used as a substitute for a furnace to heat an entire home. Use for supplementary heating only.

Models DWF36F-2 & DWF36G0-2 have an optional outside air kit available for installation. The OAK-4 air kit must be installed during the installation of the fireplace.

INSTALLATION INSTRUCTIONS

INTRODUCTION

- Before beginning the installation of your fireplace, read these instructions through completely and the instructions contained in the separate operating manual for your fireplace.
- These MARCO components and fireplace are safe when installed according to this Installation Manual. Unless you use MARCO components which have been designed and tested for the fireplace system, you may cause a fire hazard.
- The MARCO warranty will be voided by, and MARCO disclaims any responsibility for, the following actions:
 - a) Modification of the fireplace, components, doors, blower fans, air inlet system and damper control.
 - c) Use of any component part not manufactured or approved by MARCO in combination with a MARCO fireplace system.
- The MARCO DWF36G-2; DWF36G0-2; DWF36F-2; fireplaces may be installed in a conventional home or a modular manufactured home.
- **WARNING:**
DO NOT USE ANY OF THESE MODELS IN A MOBILE HOME INSTALLATION. CONSULT YOUR MARCO DEALER FOR THE PROPER MARCO MODEL TO BE USED IN A MOBILE HOME.
- **PROPER INSTALLATION** is the most important step in ensuring safe and continuous operation of this fireplace. Consult the local building codes as to the particular requirements concerned with the installation of all factory built fireplaces. Although grounding may not be required by code, it is recommended by the manufacturer.

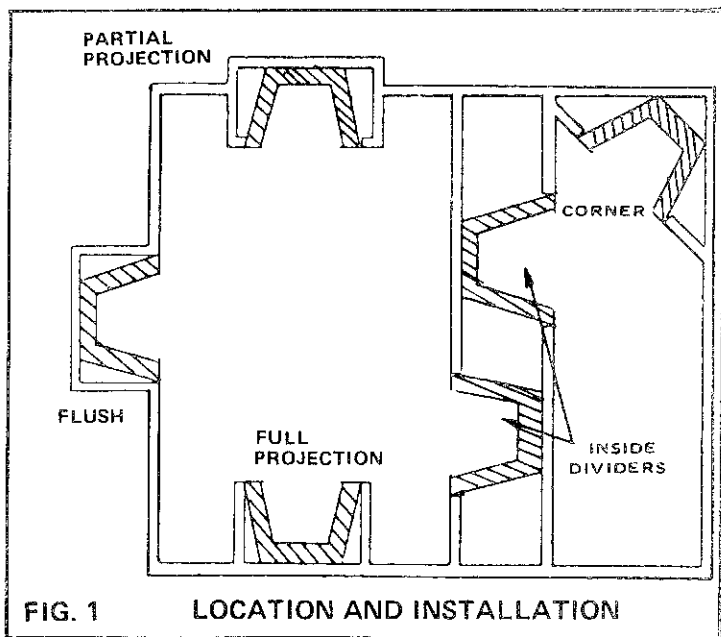
SELECTING YOUR FIREPLACE LOCATION

- The safest and most efficient location for your fireplace should be determined by considering such factors as room traffic, location of doors and windows, and construction above and below the installation area. The fireplace may be installed in any location that is free of air conditioning ducts, electrical wiring, and plumbing. This location must also provide the necessary clearances.

GENERAL

- A fireplace must not be installed closer than 24 inches to any unprotected combustible wall perpendicular to the fireplace opening. (Figure 5, 30, 31) When a MARCO 40WS insulated wall shield (or equivalent protection) is used clearance may be reduced to 12 inches. (See Page 16 Fig. 30).

- A location that requires cutting the least number of joists, roof rafters, and floor joists will reduce costs and make installation easier. This may mean moving only one or two inches from the selected ideal location. Any location selected must allow adequate room to accommodate the fireplace and framing dimensions shown in Figure 2, 3, 4 & 5.
- A fireplace may be installed flush with the finished wall or projecting any distance into the room (Fig. 2). Flush installation is recommended for smooth or thin wall-facing materials. By installing the fireplace to project into the room, a shallower cavity is required to contain the fireplace; thicker natural materials, such as field stone, can then be used for face material.
- If your fireplace is to be installed on a wood floor, refer to Fig. 6 for combustion air intake details. If the fireplace is to be installed on a slab floor it should be vented thru outside wall.
- The air intake system components may be placed on or against normal construction materials. The chimney system requires 2" minimum air space to combustible materials.

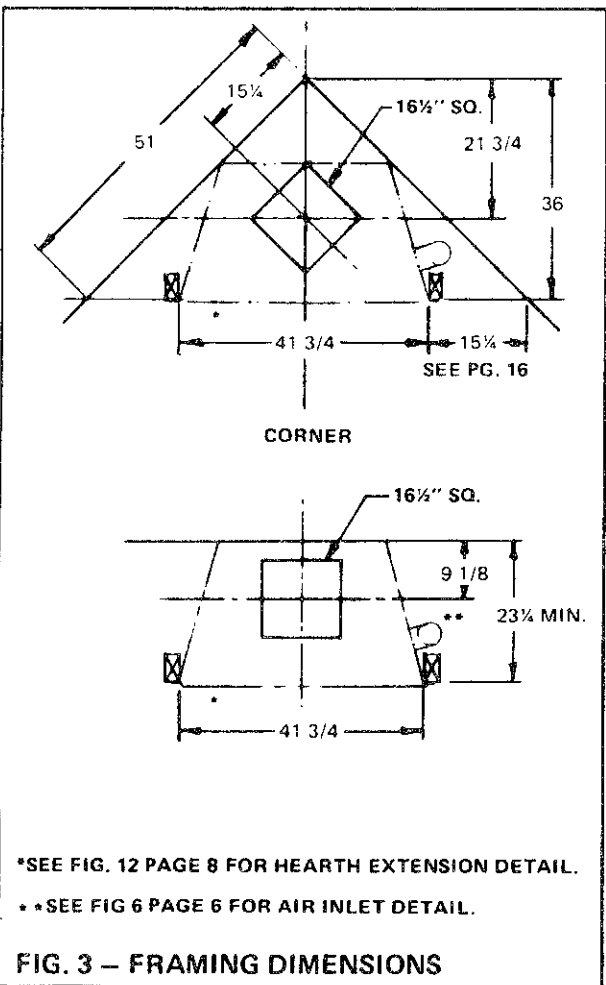
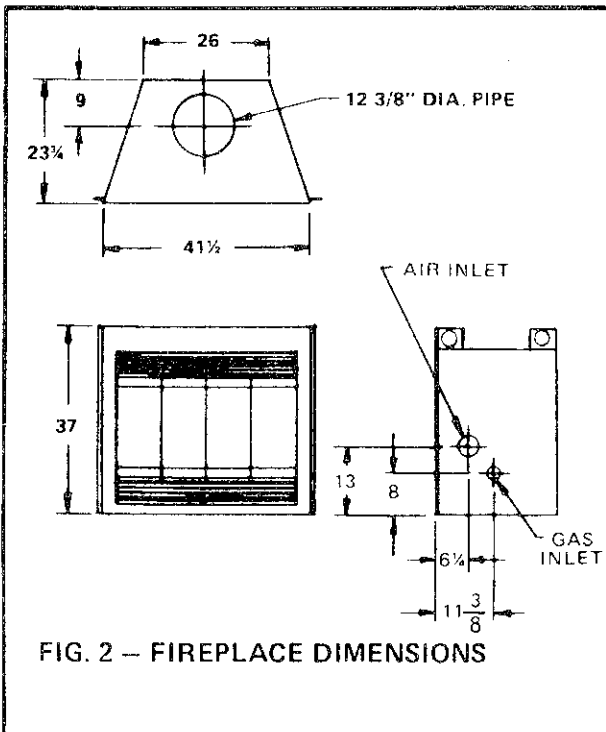


- Do not place the fireplace on soft surfaced floor coverings such as carpeting. The mounting surface must be flat, hard (such as plywood, wood flooring, particle board or any other hard surfaced material) and support the total base of the fireplace evenly. A raised platform may be used to support the fireplace.
- The total height of the fireplace and chimney sections, including the chimney cap, must be at least 13 feet 6 inches, but not exceed 60 feet. (See Page 7 - Minimum Height)
- Corners should be considered where space is limited or at a premium. A corner-installed fireplace can make use of space that may not normally be used (See Fig. 3).
- A hearth extension and fireplace may be installed on the finished floor or recessed into the floor. Either way, a flat, level surface must be provided for the hearth extension and fireplace. (See Page 8).
- When installed in accordance with the instructions given in this manual, the fireplace system may touch combustible materials at the bottom. (Fig. 5).
- The total minimum height of fireplace and chimney with two elbows is 15 feet and with four elbows is 24 feet.

SAVE THIS BOOK

This book is valuable. In addition to telling you how to install and maintain your fireplace and chimney, it also contains the information that will enable you to obtain repair parts when needed. Keep it with your other important papers.

• WARNING:
DO NOT PACK REQUIRED AIR SPACES WITH
INSULATING OR OTHER MATERIALS

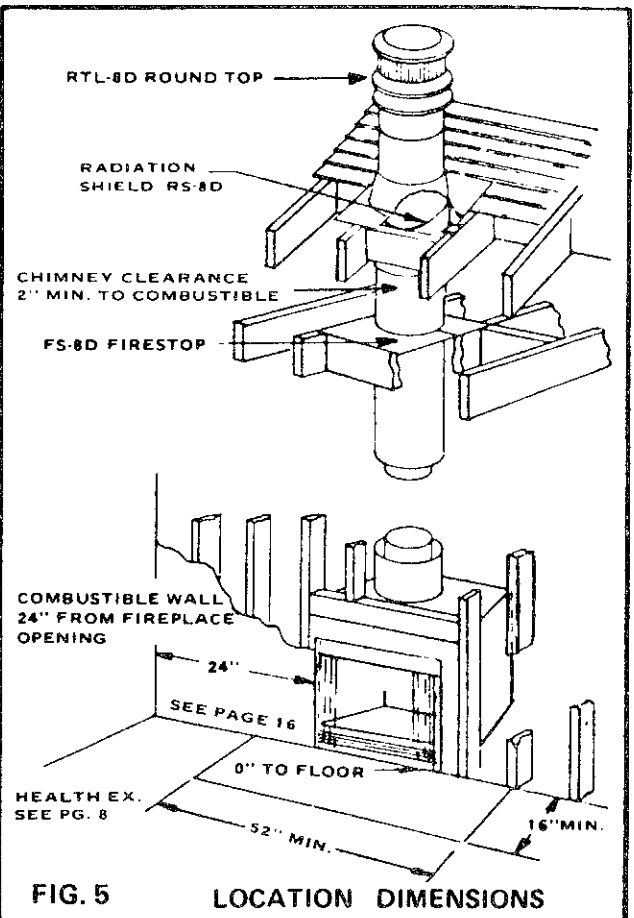
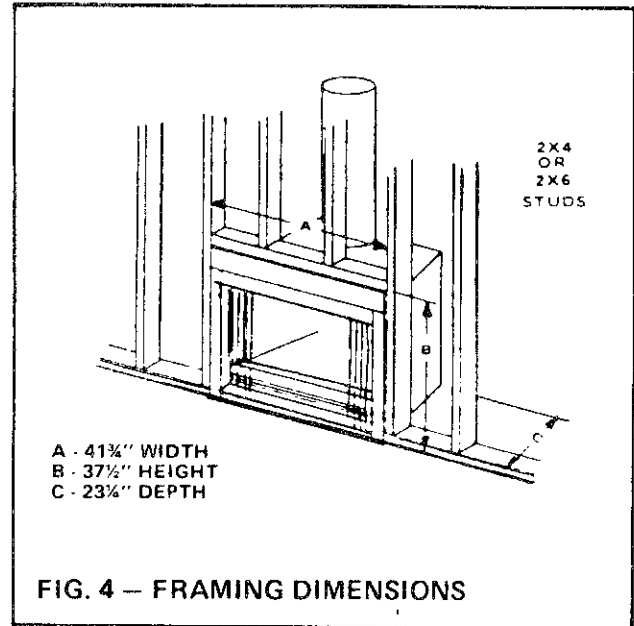


*SEE FIG. 12 PAGE 8 FOR HEARTH EXTENSION DETAIL.
••SEE FIG 6 PAGE 6 FOR AIR INLET DETAIL.

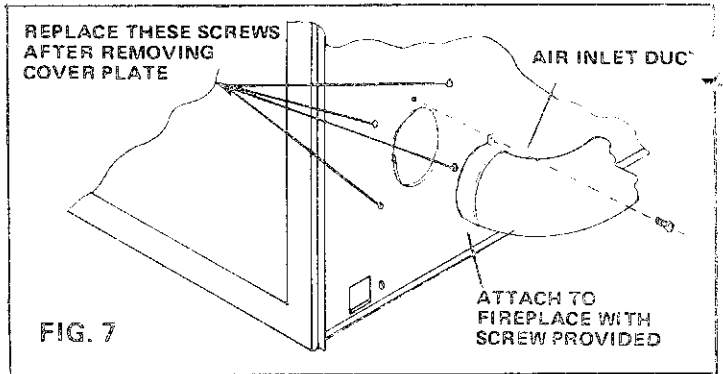
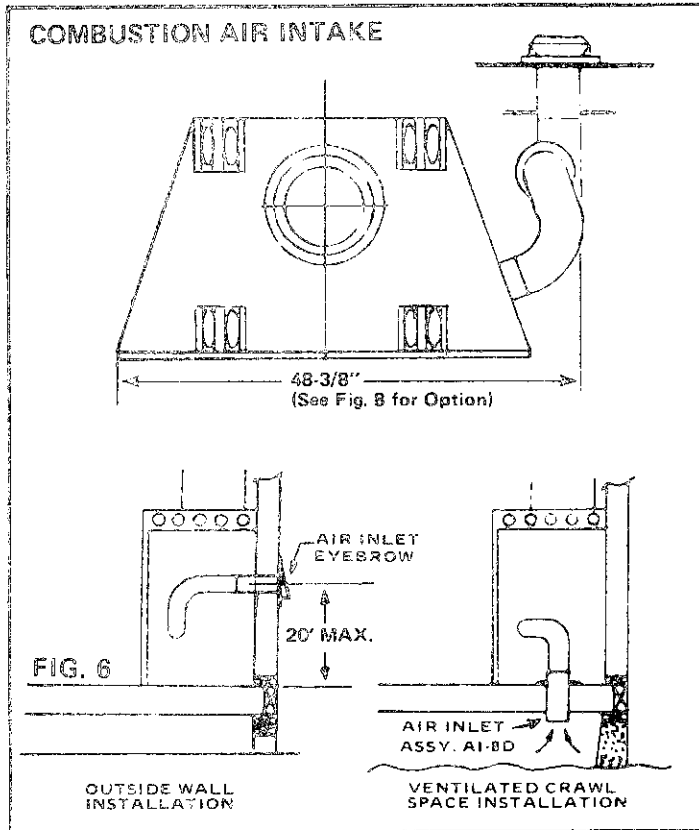
FRAMING INSTRUCTIONS

Framing around the fireplace (flush or projected) can be designed to incorporate book shelves, wood bins, closets, etc.

When a fireplace is installed on a combustible floor, a non-combustible hearth extension must be provided to protect the floor in front of the opening. (Refer to Hearth Extension page 8, 9 & 10.)



REPLACE THE FOUR SCREWS AFTER THE COVER PLATE HAS BEEN REMOVED (see Fig. 7).



STEP 1b. The outside air eyebrow can be installed through an outside wall or a ventilated crawl space. A plaster ground is provided for use on unfinished walls prior to applying finish surface.

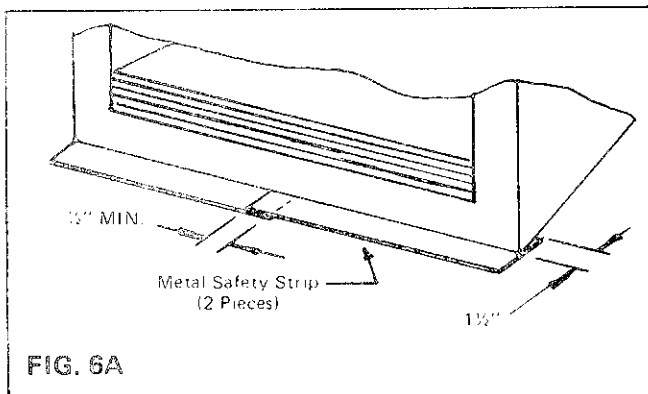
CAUTION: Avoid installing outside air eyebrow in areas where inlet opening may be blocked by snow, bushes or other obstacles. Maximum height of air inlet above platform of fireplace is 20'.

NOTE: COMBUSTION AIR INLET DUCTS ARE NOT TO TERMINATE IN ATTIC SPACE.

STEP 1c. Connect one end of the air duct to the inlet collar and the other end to the outside air eyebrow. Clamp must be used to fasten duct on outside air eyebrow.

INSTALLING YOUR FIREPLACE

STEP 1. Frame cavity (closet) or opening for fireplace at chosen location (Fig. 4). Move fireplace into position and install metal safety strips (provided) under fireplace as shown in Fig. 6A.

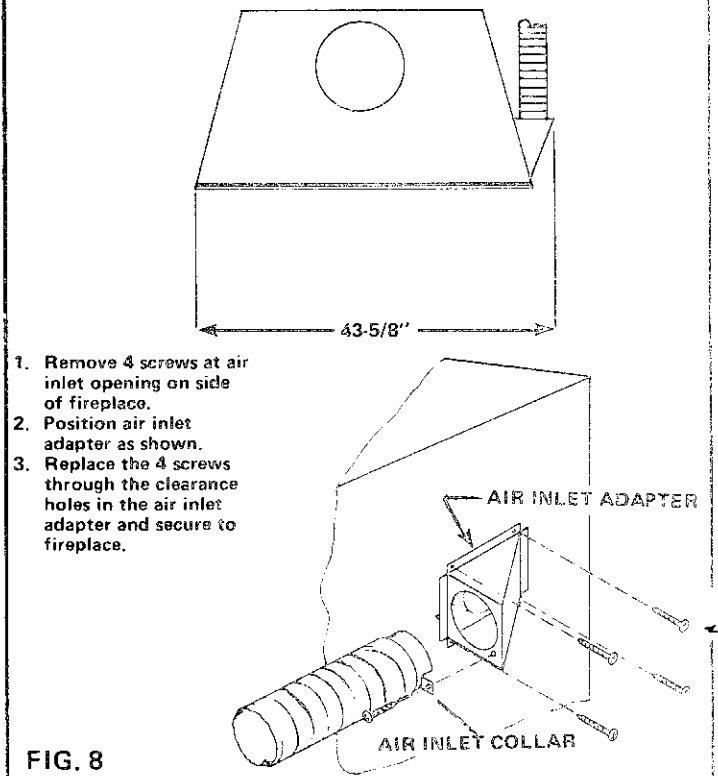


NOTE: If outside air kit (OAK-4) is not used, proceed to Step 2 and continue with installation.

STEP 1a. Move fireplace into prepared framing. Remove air inlet cover plate (4 screws) and attach the air inlet collar into the 4" hole with the screw provided.

INSTALLATION OF AIA-36 (Optional)

BY INSTALLING THE OPTIONAL AIR INTAKE AIA-36, (FIG. 8) IT IS POSSIBLE TO REDUCE THE LENGTH ACROSS THE FIREPLACE FROM 48-3/8" TO 43-5/8" (SEE FIG. 6)



Read pages 11, 12, 13, 14, 15 & 16 before continuing to Step 2.

STEP 2. Place double wall chimney pipe on fireplace starting collar and lock in place, add additional sections of chimney making sure that both inner and outer sections are secured.

STEP 3. Drill hole through ceiling directly above center of installed pipe, lay out 16 1/2 inch square opening on ceiling and cut out for flue exit and firestop spacer. (Fig. 29)

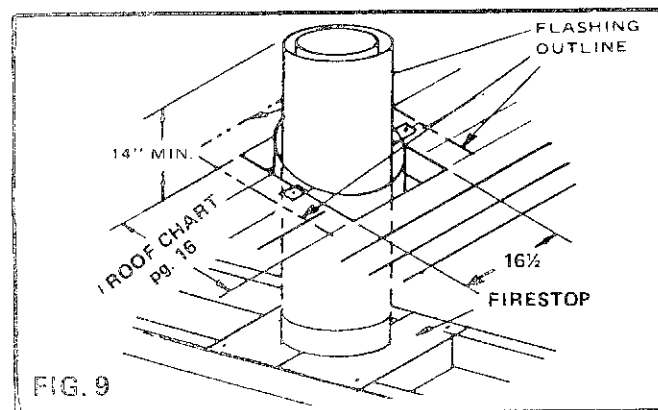
STEP 4. If double-wall pipe passes through framed opening between floors, install firestop. You do this by fitting it around the pipe section before it is installed, and nailing it to bottom of joists (Fig. 26). When double-wall pipe passes through framed opening in ceiling into attic space. Install firestop spacer in top of ceiling joists (Fig. 25).

STEP 5. Determine location of hole to be cut in roof, using plumb bob or tape measure, cut opening in roof following cut out chart on page 16 (Fig. 29). Save shingles for covering flashing.

STEP 6. Nail radiation shield in place, and position flashing over chimney and flat on roof, mark outline on roof, remove nails from outline area to bottom edge of roof cut-out (See Fig. 9). See page 15 for radiation shield usage.

STEP 7. Slide flashing under shingles into position and re nail top and side shingles. DO NOT nail through lower flange of flashing, cover sides and top with salvaged shingles.

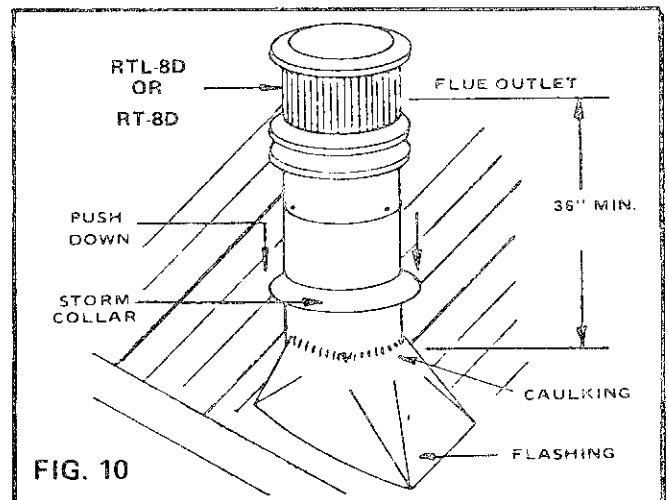
STEP 8. Extend chimney by adding sections of double-wall pipe, as outlined on page 14 and 15 and step 2 until pipe is a minimum of 14 inches above highest point of roof cut-out (Fig. 9). Termination and chimney must extend a minimum of 36 inches above highest point where it passes through roof. (Fig. 10).



STEP 9. Install storm collar on double-wall chimney, apply waterproof caulking around flashing top and push storm collar down securely on sealer and flashing.

NOTE: This is an important step to insure a water-tight system. Do a complete job of caulking around the flashing top.

STEP 10. Install termination on last section of pipe. There are three (3) different terminations approved for this chimney system. 1. **RTL-8D** can be used on an exposed chimney or chase installation. The **RTL-8D** is adjustable to compensate for height variations on the chase top. 2. **RT-8D** can be used on either exposed chimney or chase installation but is not adjustable. 3. **TST-8D** is designed to be used on a chase installation or decorative chimney enclosure only. Consult the installation instructions of the termination being used for detailed instructions.



NOTE: Paint all exposed surfaces of chimney with a good metal primer. A coat of paint to match decor of home may then be applied.

IMPORTANT: If an exposed portion of chimney is greater than 5' ft. above the roof line, use support wires to keep chimney secure. The support wires may be attached to the outer pipe of the chimney with screws provided the screws are not long enough to penetrate the inner flue pipe.

MINIMUM CHIMNEY HEIGHT: The recommended minimum height of the chimney system (13'6") is based on the average wind and pressure conditions usually found around the average homesite. Unusual conditions such as adjacent hills, tall trees, high wind areas, etc. can cause downdrafts to occur in any chimney system and would therefore require an Anti Down-Draft Shield or extra length of pipe to ensure the proper draft conditions during the use of the fireplace. Consult your supplier or the local building inspector for any information they may have regarding local weather characteristics.

INSTALLING GAS LINE

IMPORTANT: Install gas line before finishing fireplace. If desired, a decorative gas appliance may be installed, use only iron pipe, 1/2" size, and appropriate fittings. When installing a gas line, a valve designed for installation outside the fireplace is recommended. (Fig. 11)

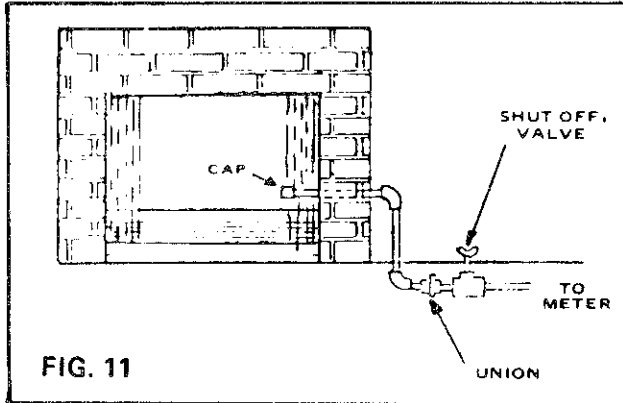


FIG. 11

The gas line may enter the fireplace from either side. Refer to Fig. 2 for hole location. To remove knock out plug from refractory side, first remove cover from outside of fireplace casings with a 5/16" socket wrench and remove conduit sleeve. Take insulation material out of gas line conduit and save for reuse. On the side wall inside of firebox, using light punch, strike mark located 2 1/2 inches from floor and 8 1/2 inches from back and drive knock out plug through from inside firebox to outside. Reinsert conduit sleeve back in place.

Run gas line to just outside entrance hole of fireplace. Install a 7" minimum nipple to reach inside of fireplace. Repack insulation in conduit sleeve around nipple, finish installation by either capping gas line or attaching gas log or lighter.

TEST FOR GAS LEAKS

All gas piping and connections must be tested for leaks after the installation is completed. Be sure gas valve is turned on. Apply soap suds solution to all connections and joints, if bubbles appear, leaks can be detected and corrected. **DO NOT** use a match or open flame of any kind to test for leaks. Never operate any appliance with leaky connections. (See Fig. 11)

The gas pipe is intended for use with a decorative gas appliance only, in accordance with the National Fuel Gas Code, ANSI Z223.1-1980.

CAUTION: WHEN USING THE DECORATIVE APPLIANCE, THE FIREPLACE DAMPER MUST BE SET IN THE FULLY OPEN POSITION.

HEARTH EXTENSION

A heart extension projecting a minimum of 16" in front of and a minimum of 8" beyond each side of the fireplace opening is required to protect combustible floor construction in front of the fireplace. Use MARCO hearth extension HE-36 (see Fig. 12) or a layer of non-combustible, inorganic material having a thermal conductivity of $K = 0.84 \text{ BTU IN./FT.}^2\text{HR.}^\circ\text{F}$ (or less) at 1" thick. This can be covered by any non-combustible material such as tile, slate, brick, concrete, metal, glass, marble, stone, etc. (See Page 10). Fasten the hearth extension to the floor to prevent shifting and seal the gap between the fireplace frame and the hearth extension with a non-combustible material (See Fig. 12A).

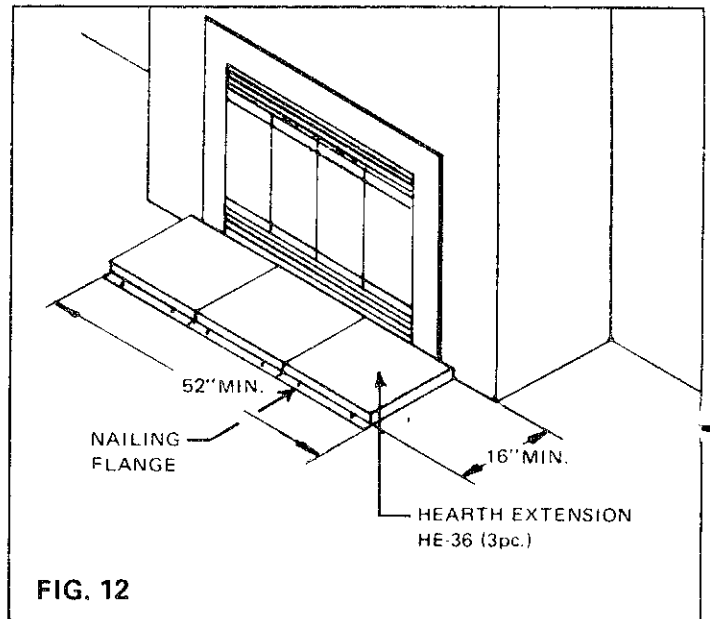
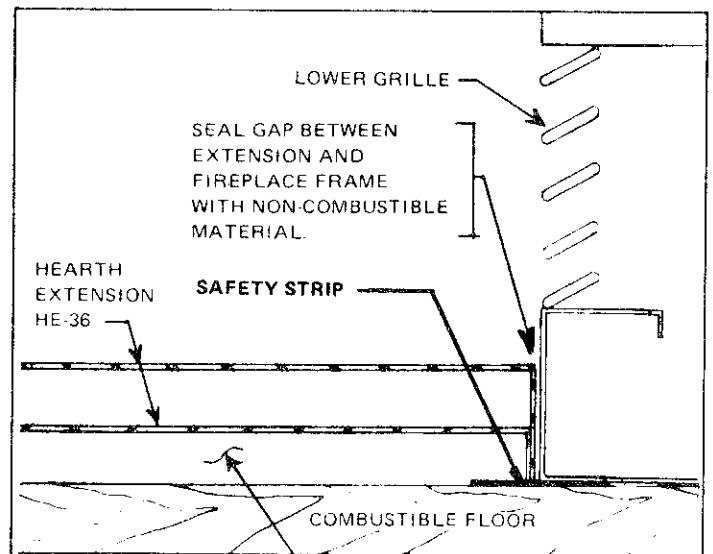


FIG. 12

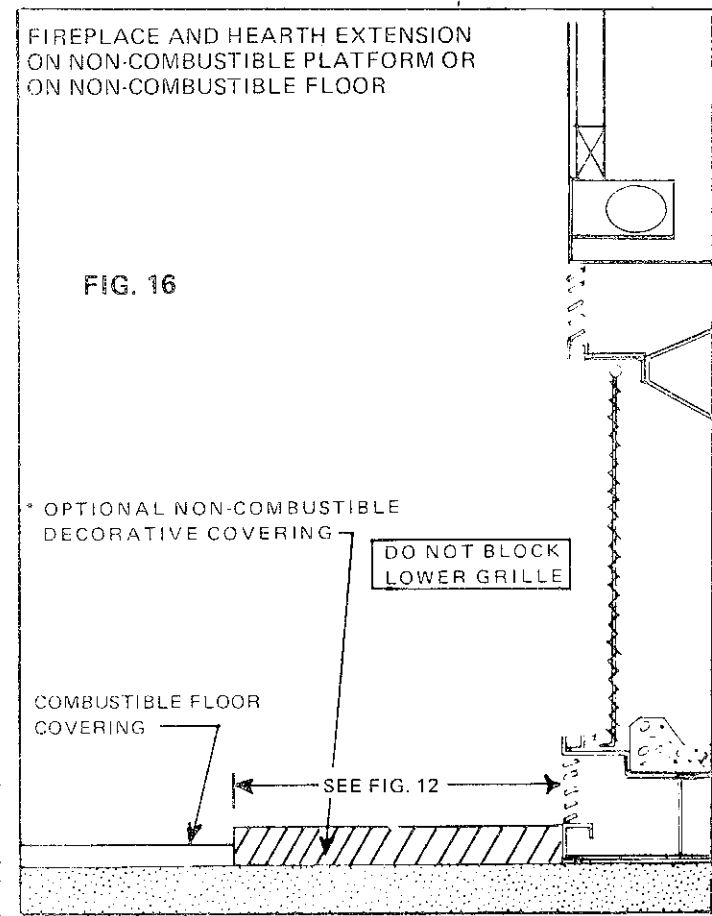
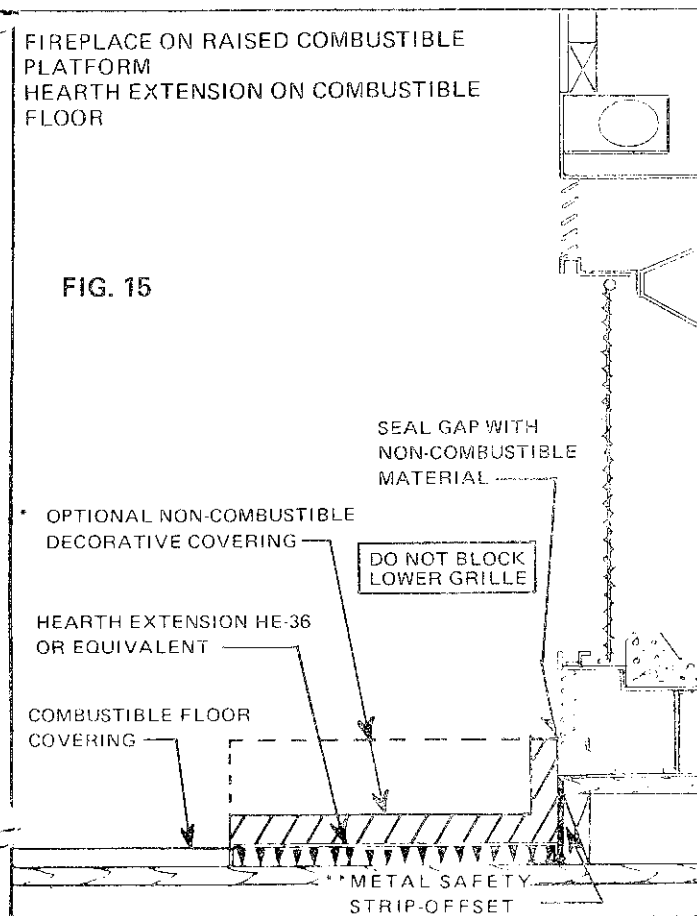
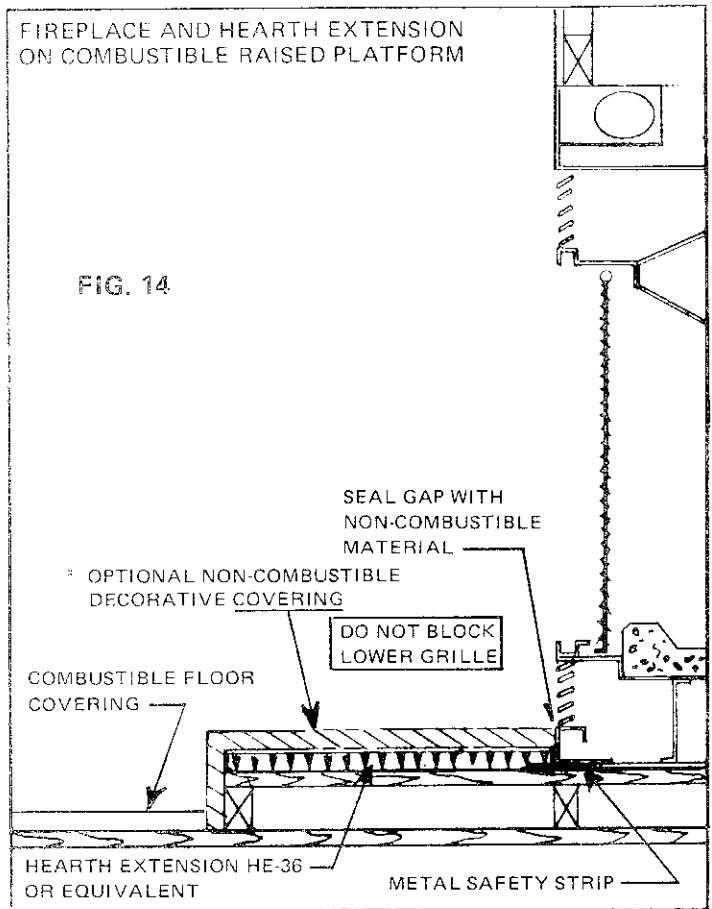
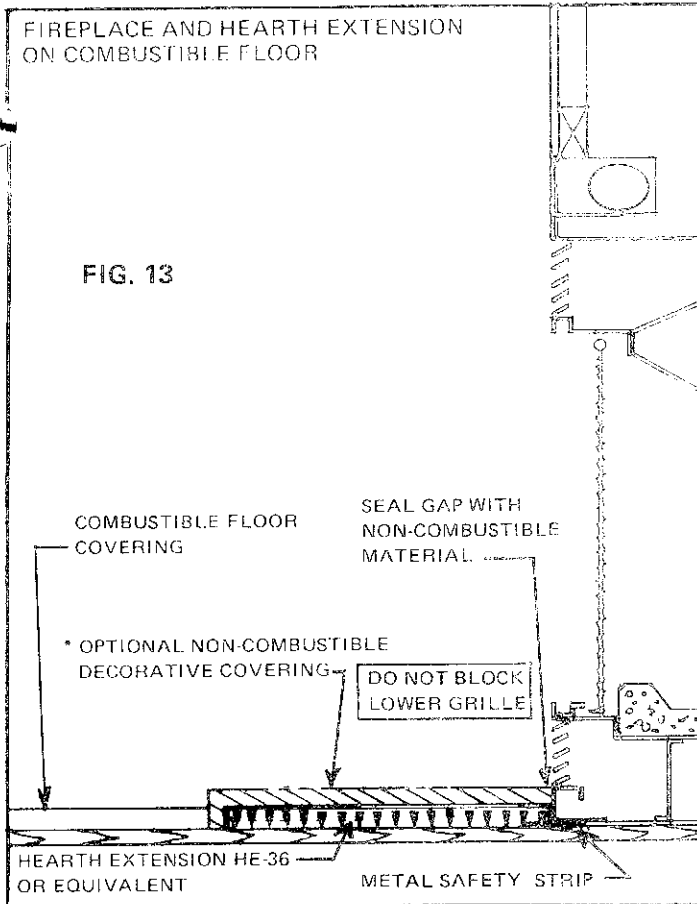


DO NOT FILL AIR SPACE UNDER MARCO HEARTH EXTENSION HE-36

FIG. 12A

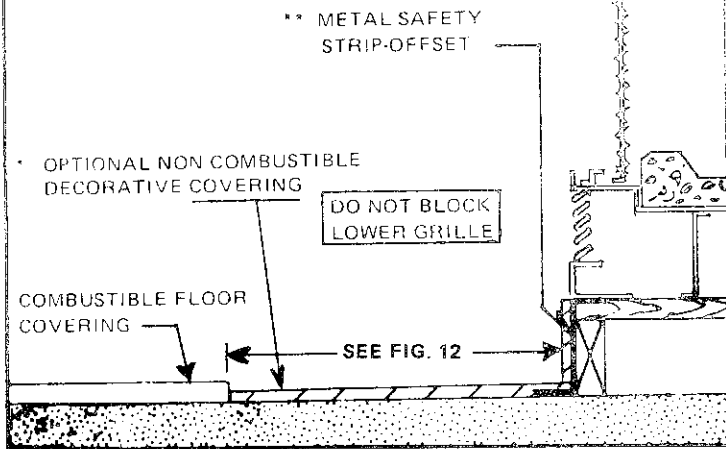
WARNING:

HEARTH EXTENSION IS TO BE INSTALLED ONLY AS ILLUSTRATED. SEE PAGES 9 & 10 FOR OPTIONAL INSTALLATIONS.



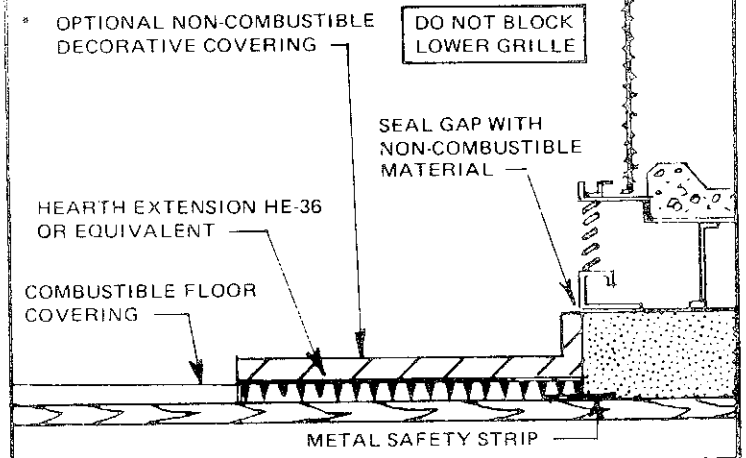
FIREPLACE ON COMBUSTIBLE PLATFORM
HEARTH EXTENSION ON NON-COMBUSTIBLE FLOOR

FIG. 17



FIREPLACE ON NON-COMBUSTIBLE PLATFORM
HEARTH EXTENSION ON COMBUSTIBLE FLOOR

FIG. 18



• NON-COMBUSTIBLE DECORATIVE COVERING:

Should be at least 3/8" thick and meet H.U.D. and/or local building code requirements. The finished height of the hearth extension must not block the inlet grille at the bottom of the fireplace.

• METAL SAFETY STRIP-OFFSET

Shall be constructed of a minimum thickness of .018 galvanized steel and be shaped as shown in Fig. 19.

EXAMPLE OF DETERMINING HEARTH EXTENSION EQUIVALENT.

If the material selected has a K Factor of 0.29, such as mineral wool, then the following formula would apply:

$$\frac{0.29}{0.84} \times 1" = .35" \text{ thk.}$$

This should be covered with sheet metal (see Fig. 20).

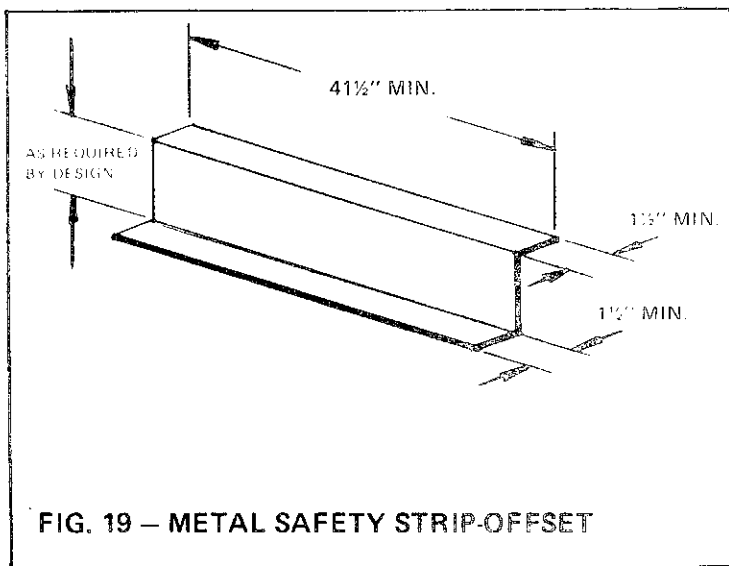


FIG. 19 – METAL SAFETY STRIP-OFFSET

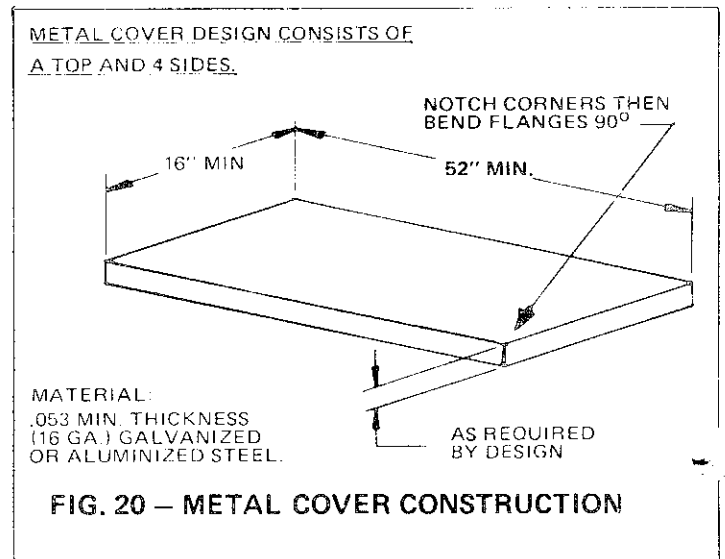


FIG. 20 – METAL COVER CONSTRUCTION

EXAMPLES OF FIREPLACE AND CHIMNEY DESIGNS

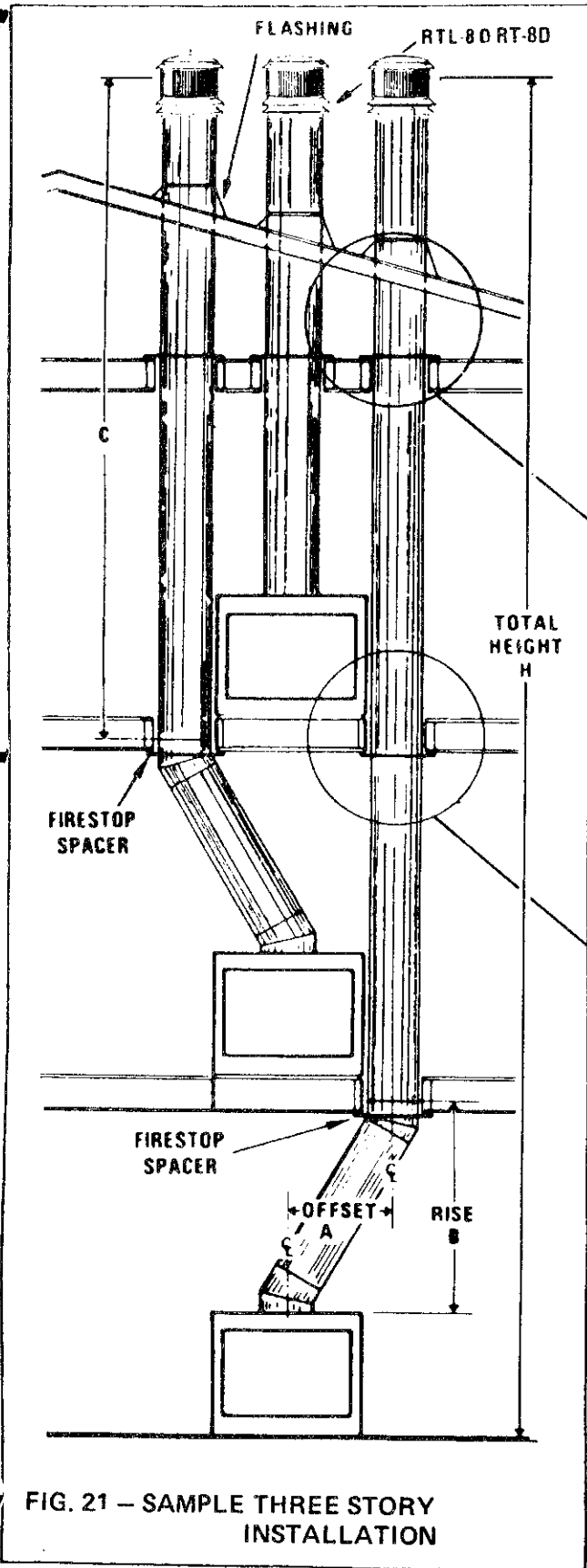
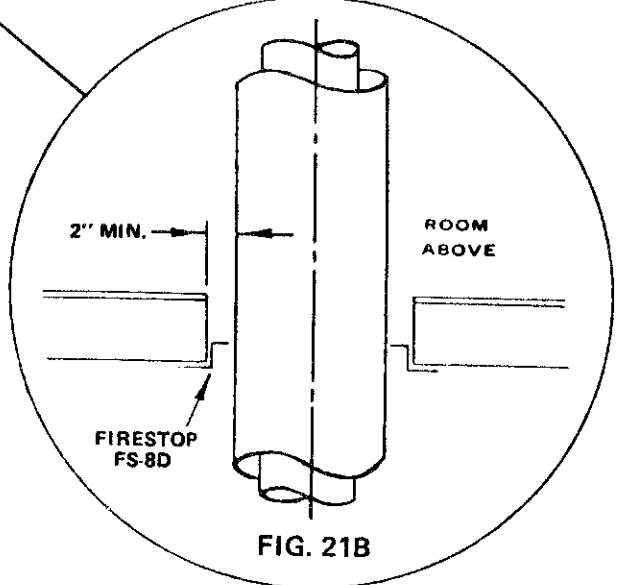
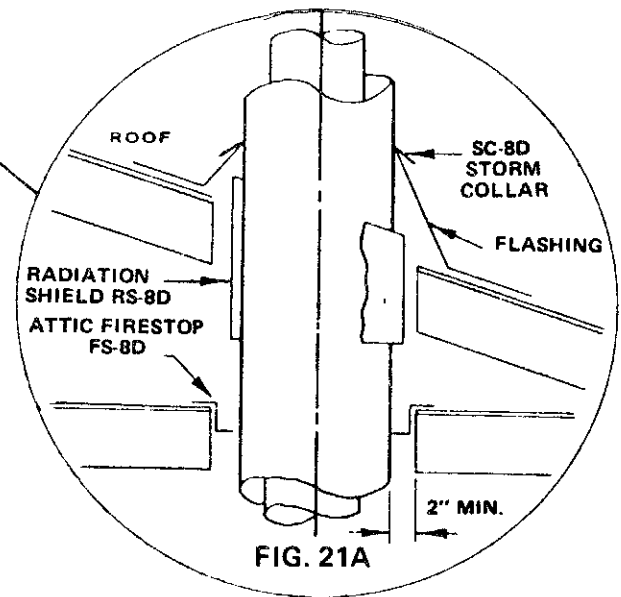
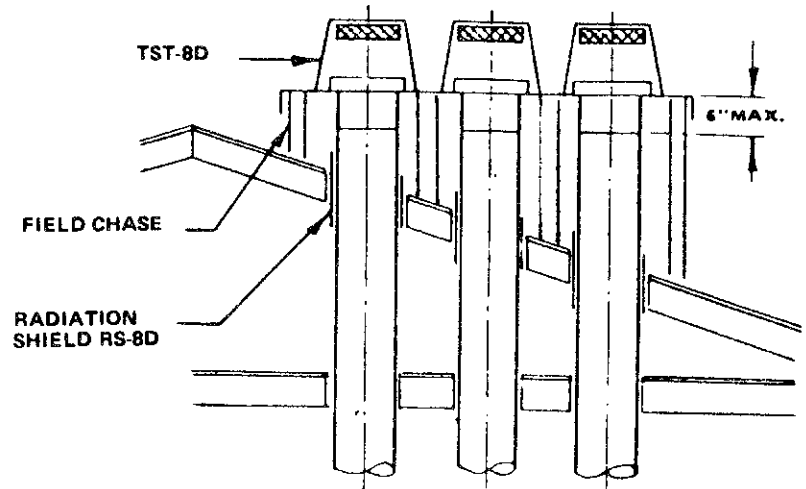


FIG. 21 - SAMPLE THREE STORY INSTALLATION



HOW TO DETERMINE YOUR FIREPLACE SYSTEM

1. DETERMINE TOTAL HEIGHT (DIM. H) _____
IF RAISED HEARTH EXTENSION IS USED SUBTRACT HEARTH EXTENSION HEIGHT FROM DIM. H.
2. HEIGHT OF FIREPLACE 37"
3. RISE OF ELBOWS, INCLUDING PIPE _____
USE TABLE OF CONTENTS OFFSETS (PG. 13) _____
4. HEIGHT OF RTL-8D TOP/RT-8D _____
- 4a. HEIGHT OF TST-8D TOP _____
5. TOTAL OF LINES 2 THRU 4a. _____
6. SUBTRACT LINE 5 FROM LINE 1 _____
7. LINE 6 IS DIM. C. THE LENGTH OF PIPE NEEDED TO COMPLETE INSTALLATION. (REFER TO CHIMNEY HEIGHT CHART)

	QUANTITY	
8. 12" PIECES OF PIPE		
9. 18" PIECES OF PIPE		
10. 36" PIECES OF PIPE		
11. SUB TOTAL		

12. TOTAL OF LINES 5 AND 11 (SHOULD EQUAL LINE 1) _____

LINEAL GAIN CHART
(REFER TO PAGE 13 FOR OFFSET CHART)

MODEL	DESCRIPTION	LINEAL GAIN
DWF 36G-2, GO-2, F-2 FIREPLACE		37"
12-8D	DOUBLE WALL PIPE	11 1/2"
18-8D	DOUBLE WALL PIPE	17 1/2"
36-8D	DOUBLE WALL PIPE	35 1/2"
CPS12-8D	CHIMNEY SUPPORT	11 1/4"
RTL-8D	ROUND TOP ASSEMBLY	16"-22"
TST-8D	TRIM STYLE TOP ASSMB	22"
RT-8D	ROUND TOP	13"

CHIMNEY HEIGHT CHART (DIMENSION C)

MAXIMUM HEIGHT	12-8D	18-8D	36-8D	MAXIMUM HEIGHT	12-8D	18-8D	36-8D
8'-9"	0	0	3	12'-8"	1	0	4
9'-2"	2	1	2	13'-2"	0	1	4
9'-9"	1	0	3	13'-7"	2	0	4
10'-2"	0	1	3	14'-1"	1	1	4
10'-8"	2	0	3	14'-8"	0	0	5
11'-2"	1	1	3	15'-0"	2	1	4
11'-9"	0	0	4	15'-7"	1	0	5
12'-1"	2	1	3	16'-1"	0	1	5

CONT.

CHIMNEY HEIGHT CHART (DIMENSION C)

MAXIMUM HEIGHT	12-8D	18-8D	36-8D	MAXIMUM HEIGHT	12-8D	18-8D	36-8D
16'-6"	2	0	5	38'-6"	2	1	12
17'-0"	1	1	5	39'-1"	1	0	13
17'-7"	0	0	6	39'-7"	0	1	13
18'-0"	2	1	5	40'-0"	2	0	13
18'-6"	1	0	6	40'-6"	1	1	13
19'-0"	0	1	6	41'-1"	0	0	14
19'-6"	2	0	6	41'-6"	2	1	13
20'-0"	1	1	6	42'-0"	1	0	14
20'-6"	0	0	7	42'-6"	0	1	14
20'-11"	2	1	6	43'-0"	2	0	14
21'-5"	1	0	7	43'-6"	1	1	14
22'-0"	0	1	7	44'-0"	0	0	15
22'-5"	2	0	7	44'-5"	2	1	14
22'-11"	1	1	7	45'-0"	1	0	15
23'-6"	0	0	8	45'-6"	0	1	15
23'-10"	2	1	7	45'-11"	2	0	15
24'-5"	1	0	8	46'-5"	1	1	15
24'-11"	0	1	8	47'-0"	0	0	16
25'-4"	2	0	8	47'-6"	2	1	15
25'-10"	1	1	8	47'-11"	1	0	16
26'-5"	0	0	9	48'-5"	0	1	16
26'-9"	2	1	8	48'-10"	2	0	16
27'-4"	1	0	9	49'-4"	1	1	16
27'-10"	0	1	9	49'-11"	0	0	17
28'-3"	2	0	9	50'-3"	2	1	16
28'-9"	1	1	9	50'-10"	1	0	17
29'-4"	0	0	10	51'-4"	0	1	17
29'-9"	2	1	9	51'-9"	2	0	17
30'-3"	1	0	10	52'-3"	1	1	17
30'-9"	0	1	10	52'-10"	0	0	18
31'-3"	2	0	10	53'-2"	2	1	17
31'-9"	1	1	10	53'-8"	1	0	18
32'-3"	0	0	11	54'-3"	0	1	18
32'-8"	2	1	10	54'-8"	2	0	18
33'-3"	1	0	11	55'-2"	1	1	18
33'-9"	0	1	11	55'-8"	0	0	19
34'-2"	2	0	11				
34'-8"	1	1	11				
35'-3"	0	0	12				
35'-7"	2	1	11				
36'-2"	1	0	12				
36'-8"	0	1	12				
37'-1"	2	0	12				
37'-7"	1	1	12				
38'-2"	0	0	13				

NOTE:
WHEN USING A TST TOP IN CHIMNEY SYSTEM, IF C DIMENSION FALLS BETWEEN CHARTED HEIGHT, USE HIGHER HEIGHT DIMENSION.

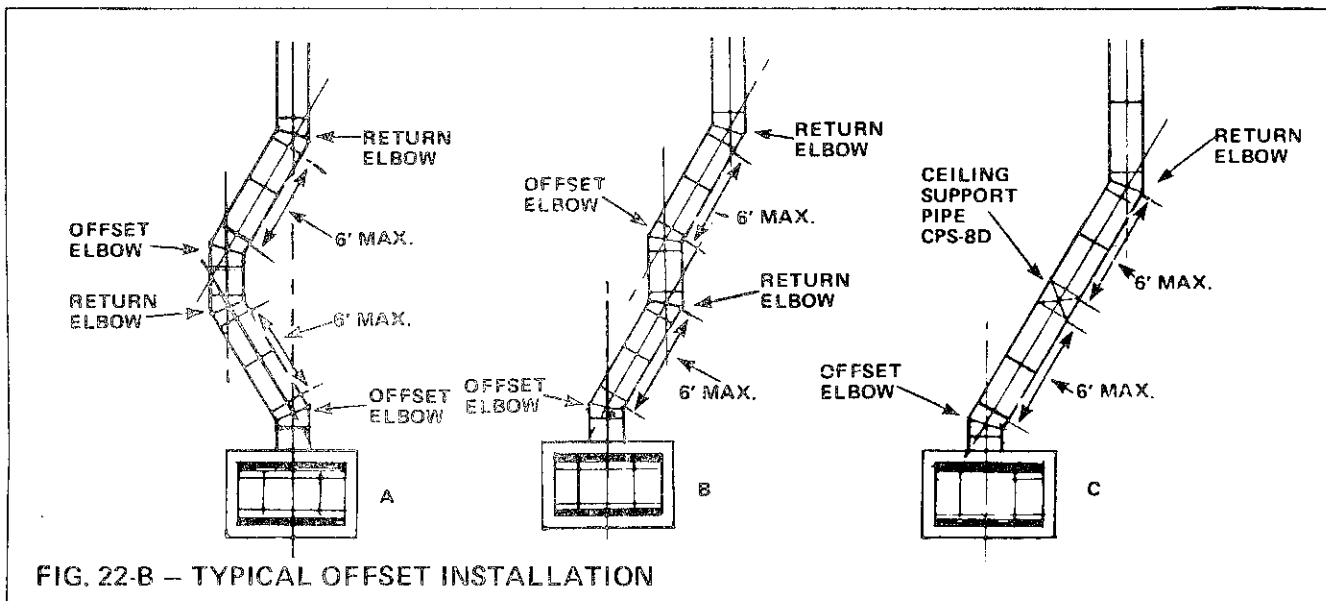
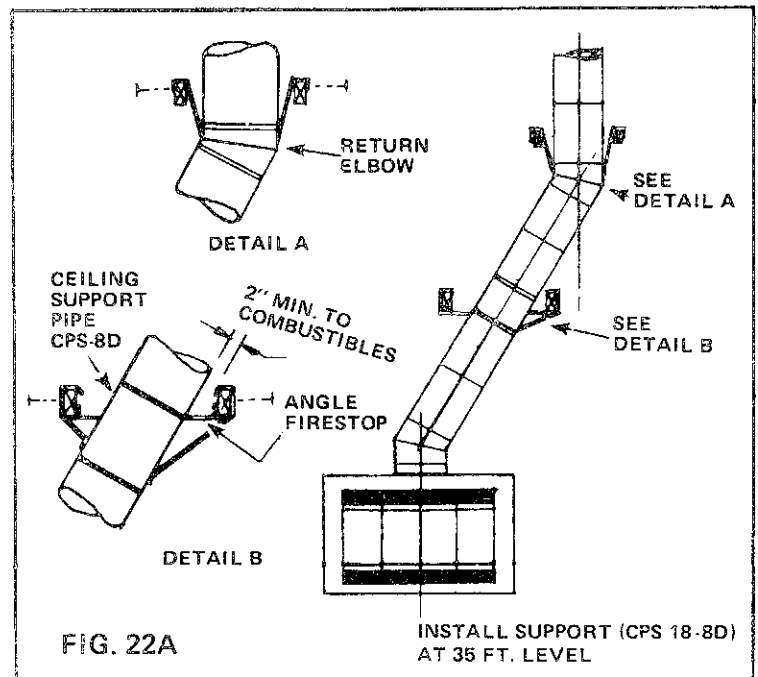
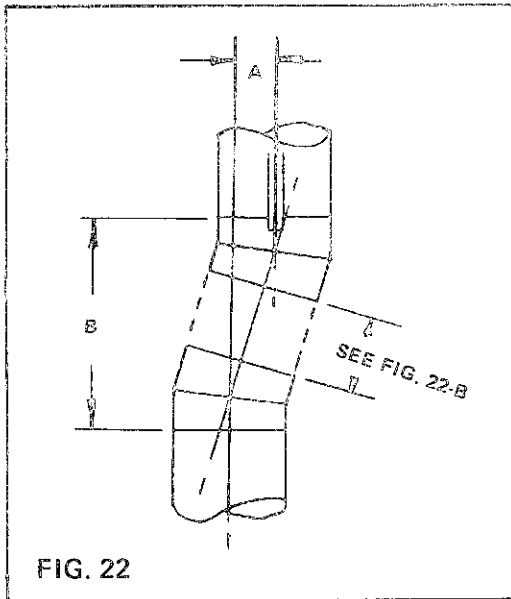
INSTRUCTIONS WHEN OFFSET OF CHIMNEY IS NEEDED

TO INSTALL ELBOWS

To achieve desired offset, you may install combinations of 12", 18", 36", lengths of double wall pipe (see "single offset" chart and Figs. 22 & 22B).

- Chimney weight above offset rests on return elbow. Straps must be securely nailed to rafters or joists. (See Fig. 22A details A & B.)
- Maximum length of pipe between supports (return elbow or CPS-8D) is 6' of angled run. Maximum of two (2) 6' angled run sections per chimney system (Fig 22B).

SINGLE OFFSET CHART							
Number and Length of Double Wall Pipe				30° Offset Elbow 30° Return Elbow		15° Offset Elbow 15° Return Elbow	
12"	18"	36"	CPS 8D	A	B	A	B
—	—	—	—	4 3/4	17 1/2	2	15 1/2
1	—	—	—	10 1/4	27	5	26
—	1	—	—	13 1/4	32 3/4	6 1/2	31 3/4
2	—	—	—	16	36 3/4	7 3/4	36 3/4
1	1	—	—	19	42	9 1/2	42 1/2
—	2	—	—	22	47 1/4	11	48 1/4
—	—	1	—	22 1/4	48	11-1/8	48 1/2
2	1	—	—	24 1/2	51 1/2	12 1/4	53 1/4
1	2	—	—	27 1/2	56 3/4	13 3/4	59
1	—	1	—	28	57 1/2	14	59 1/4
—	3	—	—	30 1/2	62	15 1/2	64 3/4
—	1	1	—	31	62 3/4	15 3/4	65
2	—	1	—	33 1/2	67 1/4	17	70 1/2
1	1	1	—	36 1/2	72 1/2	18 1/2	76 1/2
—	—	2	—	40	78 1/4	20 3/4	83
—	—	2	1	46	88 1/4	23 3/4	94 1/2



ASSEMBLING AND INSTALLING YOUR DOUBLE-WALL CHIMNEY SYSTEM

Marco's Double-Wall chimney system when used on the model DWF36-2 series fireplace is listed for installation to a maximum of 60 feet high. This measurement includes the fireplace, chimney sections and the effective height of the termination assembly. The minimum height of the fireplace system must not be less than 13'-6" including the fireplace chimney sections and termination assembly. (See Page 7).

CHIMNEY SECTIONS:

Each double-wall chimney section consists of an outer pipe, flue pipe and four pipe spacers. The pipe sections are not unitized and must be assembled independently as the chimney is installed. When starting the chimney directly on the fireplace, the flue pipe section must be installed first, with the hemmed end down. The outer pipe section can then be installed over the flue pipe section with the hemmed end up (see Fig. 23).

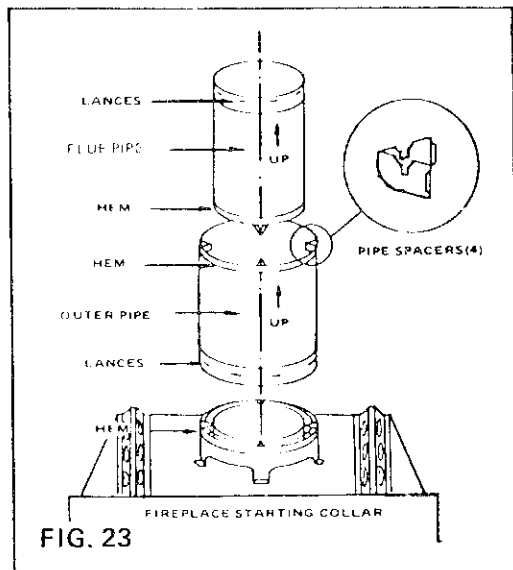


FIG. 23

Press down on the outer pipe section until the lances on the lower end securely engage the hem on the fireplace starting collar. The pipe spacers will assure the proper spacing between the inner and outer pipe sections as well as strengthen the upper joint in preparation for other chimney sections. Continue to assemble chimney sections as outlined above, making sure that both inner and outer sections are locked together.

CHIMNEY SUPPORTS:

The chimney support section is a triple-wall, unitized 12" length of pipe. A chimney support is required at the 35 feet level above the fireplace after a straight chimney run (Fig. 24) or above a return elbow after a straight chimney run (Fig. 24A).

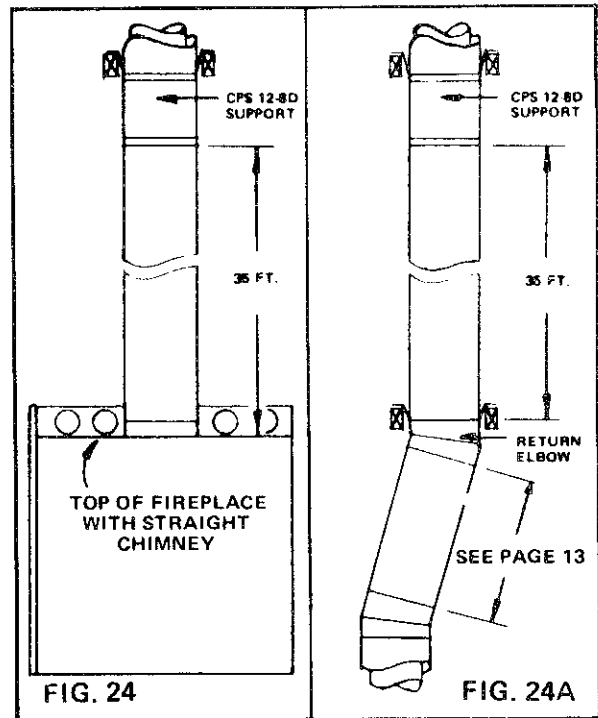


FIG. 24

FIG. 24A

This support is designed to relieve the extra weight load on the fireplace and elbows when high chimneys are installed.

NOTE: Regular inspection and cleaning of the chimney system is important. Refer to the Warranty and Operations manual for instructions.

FIRESTOP SPACERS:

Firestop spacers are required at each point where the chimney penetrates a floor or ceiling joist space. Their purpose is two fold, they establish and maintain the required clearance between the chimney and combustible materials. (Fig. 21A, 21B) They also provide complete separation from one floor space to another floor or attic space as required by most codes. When penetrating a floor or ceiling at an angle, either the 15° or 30° firestop should be used.

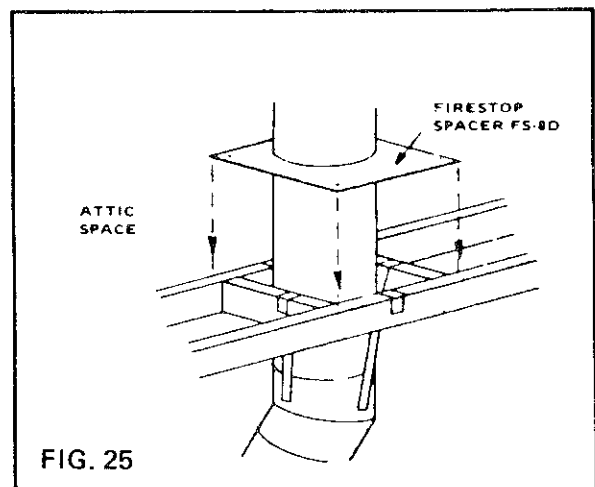
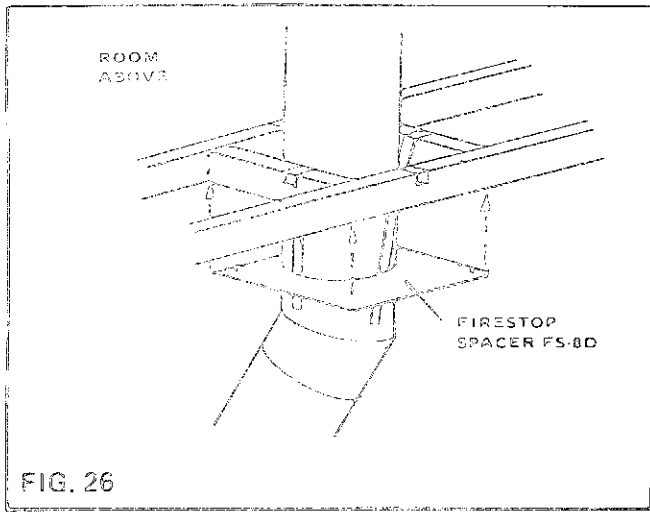
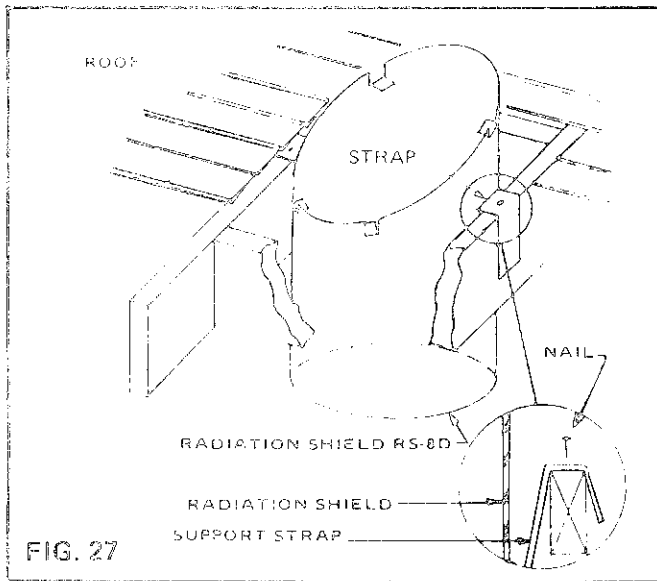


FIG. 25

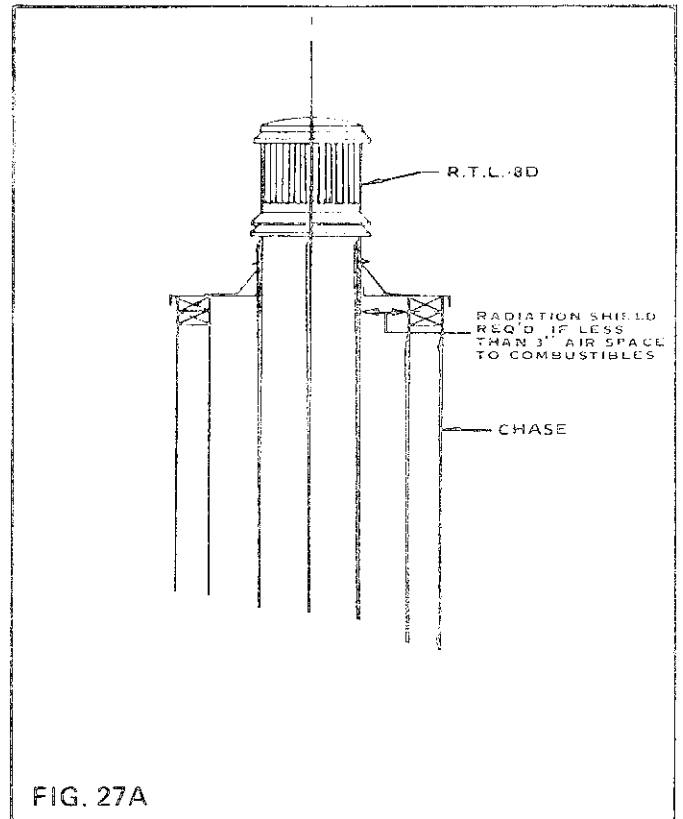


RADIATION SHIELD:

When the chimney system penetrates a roof structure, a radiation shield must be used at the roof opening (Figs. 5 and 27). (Not required in an open chase.) See note below.



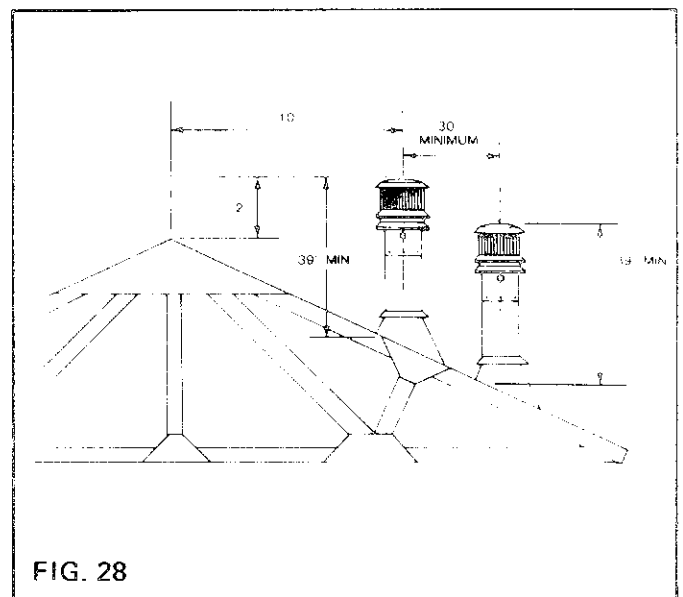
NOTE: When an RTL or TST Termination is installed in a chase, the Radiation Shield is not required at the chase opening if a minimum of 3" air space to combustible construction is provided (Fig. 27A).



TERMINATIONS:

The fireplace and chimney system must be vented to the out-of-doors and must be terminated with the listed contemporary or chase terminations.

All chimney terminations must extend a minimum of 3 feet in height above the highest point where it passes through the roof and must be at least 2 feet above the peak of the roof if within a horizontal distance of 10 feet from the peak (see Fig. 28).



The roof hole cut-out varies with the type of chimney termination that will be installed. (See Fig. 29)

FRAMING DIMENSIONS FOR CHIMNEY CLEARANCE (MINIMUM)

TYPE FLUE	CEILING OPENING	
	A	B
8D VERTICAL	16½"	16½"
8D 30° OFFSET	23 1/4"	16½"
8D 15° OFFSET	20"	16½"

ROOF OPENING			
TERMINATION	PITCH	C	D
RTL-8D RT-8D	FLAT	16½"	16½"
	6/12	16½"	18½"
	12/12	16½"	22½"
	18/12	16½"	28"
TST-8D	FLAT	16½"	16½"

*NOTE: CONSTRUCT CHIMNEY OPENING IN SAME DIRECTION AS OFFSET.

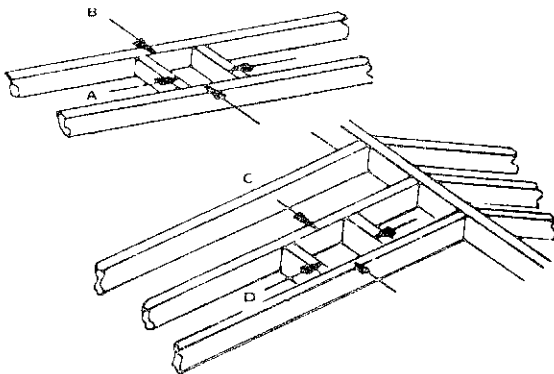


FIG. 29

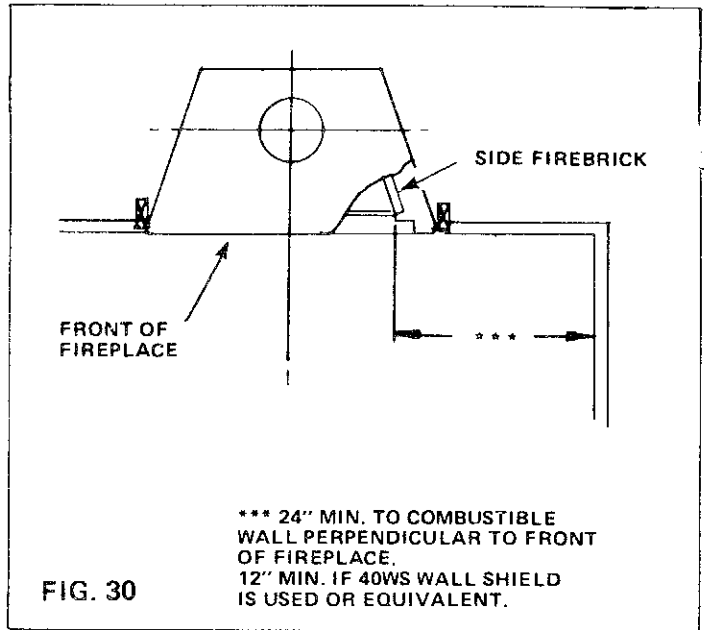


FIG. 30

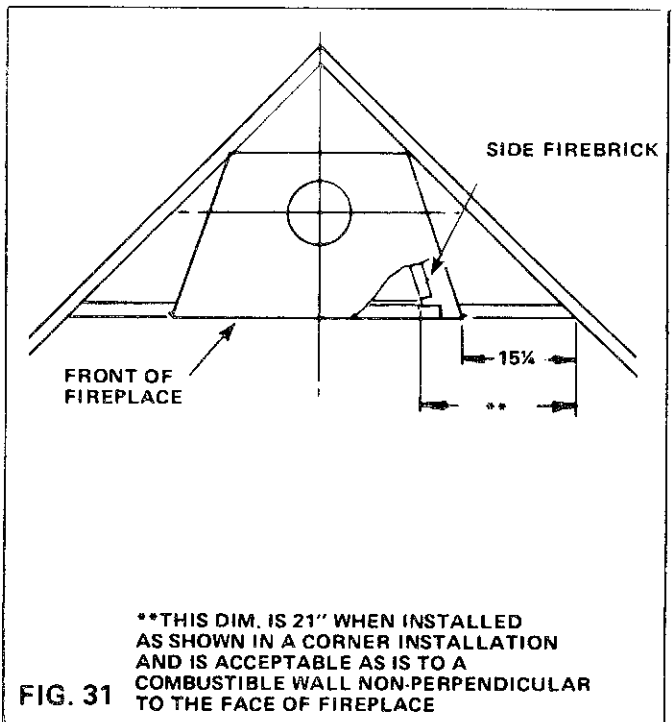


FIG. 31

POWER TO THE FIREPLACE

The BKR-362S Fan Kit operates on 115 volt 60 cps power.

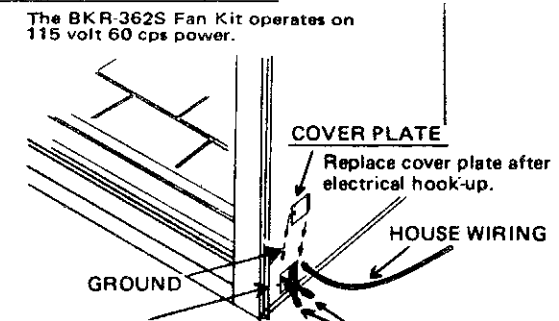


FIG. 32

House wiring must be secured with the appropriate electrical connector to the fireplace convenience outlet wiring.

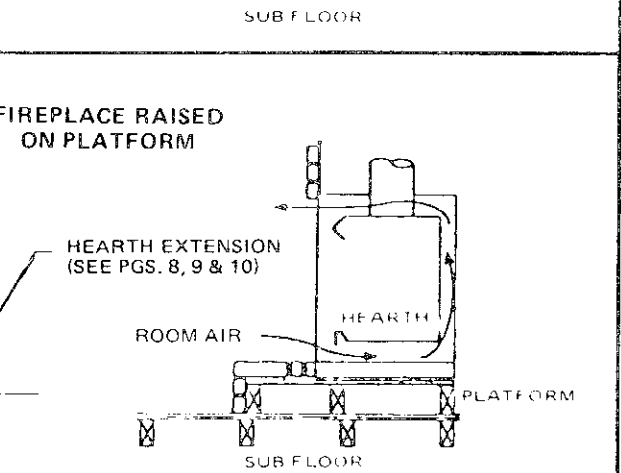
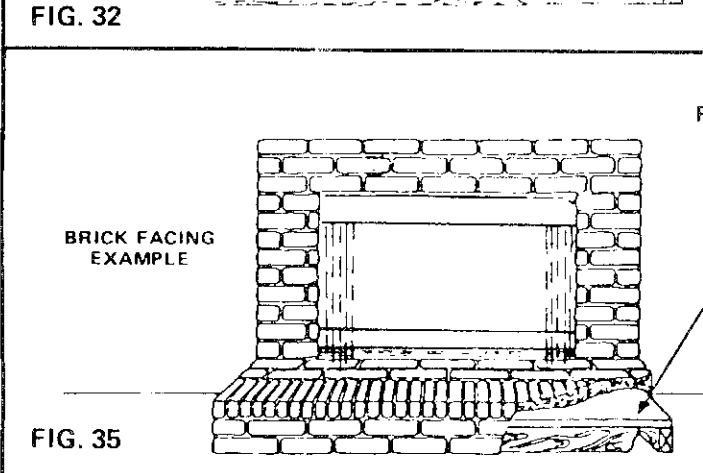
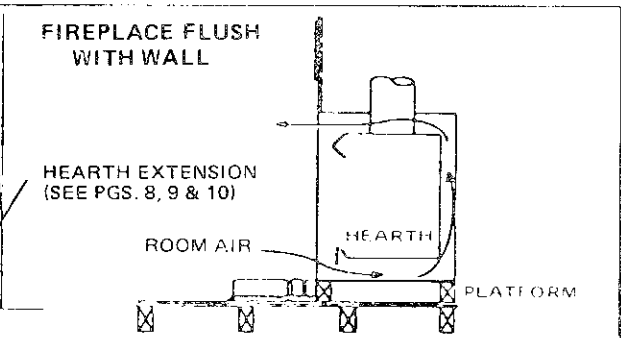
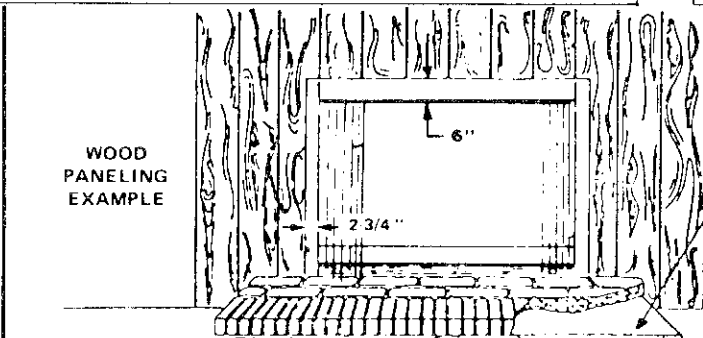
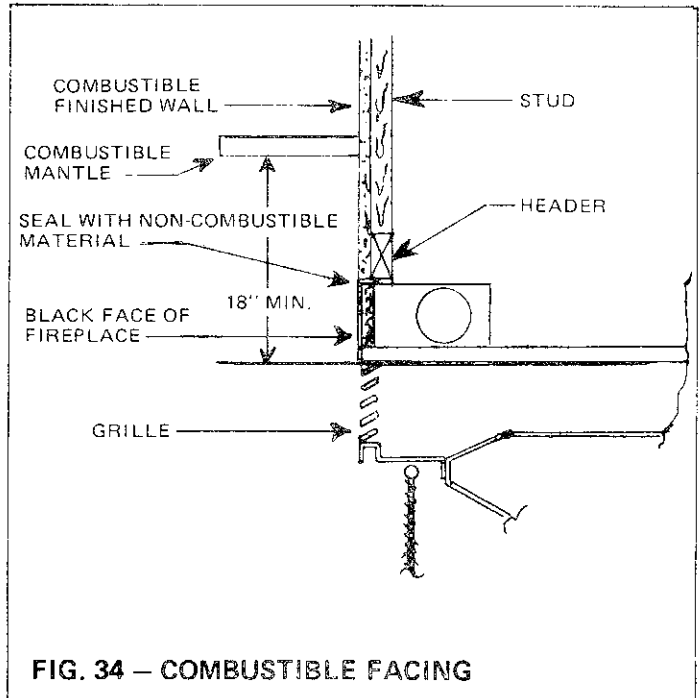
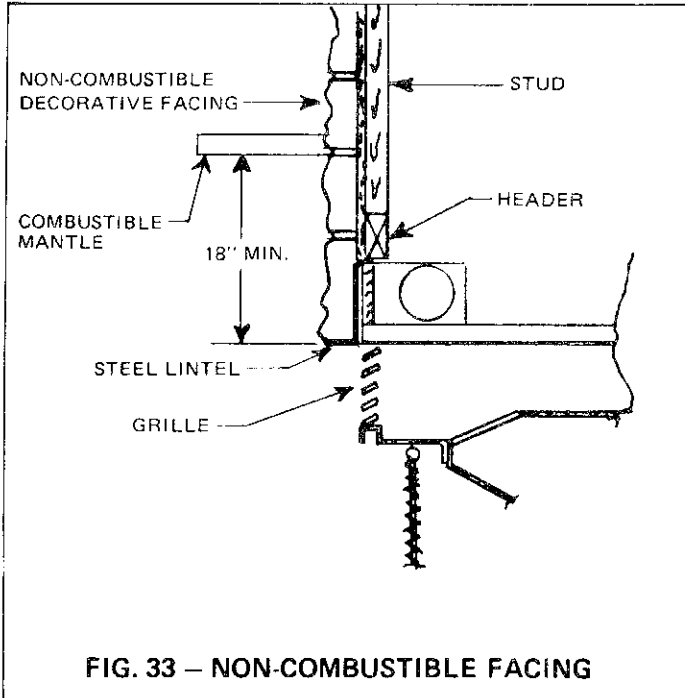
FINISHING YOUR FIREPLACE

When selecting the finish material for your fireplace it is important to remember the following: **THE BLACK FACE OF THE FIREPLACE MUST NOT BE COVERED WITH ANY TYPE OF COMBUSTIBLE MATERIAL. THE GRILLES ON THE FIREPLACE, TOP AND BOTTOM, MUST NOT BE OBSTRUCTED IN ANY WAY.**

Non-combustible facing material such as tile, brick, glass, etc. may overlap the black face of the fire-

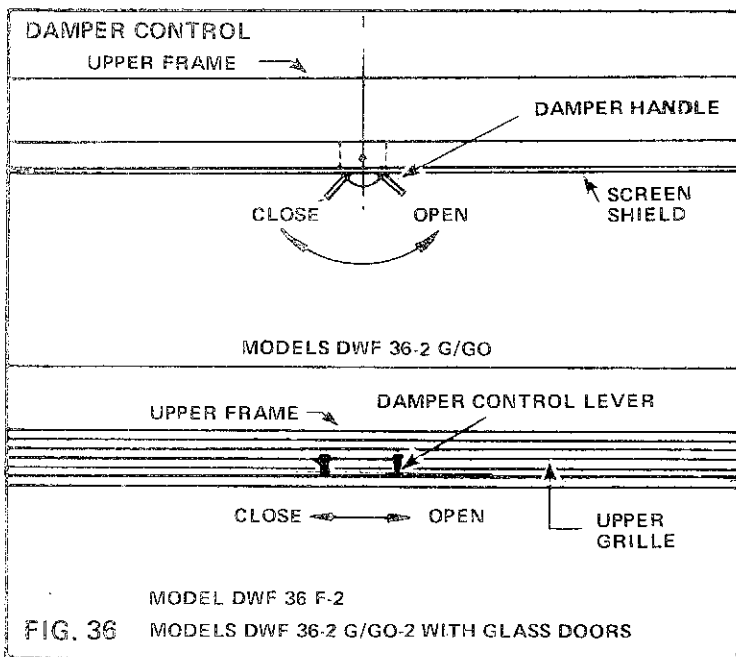
place. Be sure to use non-combustible heat resistant mortar or adhesive when attaching to fireplace face. The face of the fireplace may be painted to match the room decor provided you use a heat resistant paint.

NOTE: Use an "L" shaped piece of metal (lintel) across the top of the fireplace opening when a non-combustible material is used on the face of the fireplace. It can be attached to the face of the fireplace with screws (see Fig. 33).



DO'S AND DON'TS

- Open damper to ensure proper operation.
- Keep base of fireplace clean of excess ash accumulation to prevent grate "burnout."
- Keep the fire screen closed at all times when burning except when adding fuel.
- NEVER CLOSE THE DAMPER UNTIL YOU ARE CERTAIN THAT THERE ARE NO WARM EMBERS.
- Do not burn scrap construction lumber; it produces excessive sparks.
- Do not use wood products with synthetic binders like artificial logs or plywood as these produce abnormally high temperatures.
- NEVER USE GASOLINE, KEROSENE OR LIGHTER FLUID TO LIGHT OR "FRESHEN" A FIRE.
- Have repairs done by a qualified service technician.
- The refractory back, sides, and bottom lining the fireplace are made from a combination of materials including refractory cement and water. "Cure" the refractory lining by building only small fires the first 2 or 3 times you use the fireplace. Large roaring fires built on "uncured" refractory could generate steam within the refractory and cause cracks.
- **WARNING: THE OPENINGS IN THE COLLAR AROUND THE BASE OF THE CHIMNEY AT THE TOP OF THE FIREPLACE MUST NOT BE OBSTRUCTED. NEVER USE BLOWN INSULATION TO FILL THE CHIMNEY ENCLOSURE.**
- Regular inspection and cleaning of the creosote (soot) build-up in your chimney is important for the safe operation of your fireplace. Consult your warranty manual for cleaning instructions.
- Keep all flammable liquids away from fireplace while in use.
- Do not burn excessive amounts of waste paper or cardboard in your fireplace.
- Burn only dry seasoned wood as this helps prevent creosote build-up.
- Keep the fire well tended. Do not allow ashes directly under the burning logs to build up to a point where they hinder the air flow.
- Check the hearth for cracks and damage. Because the firebrick refractory is repeatedly heated and cooled, this can cause hairline cracks to form. This is normal and does not damage the fireplace. If, however, a crack should become large (1/16" wide or larger, then it should be replaced.
- When installing this fireplace in cold climate areas be sure to follow the cold climate installation instructions outlined on the back page of this booklet.



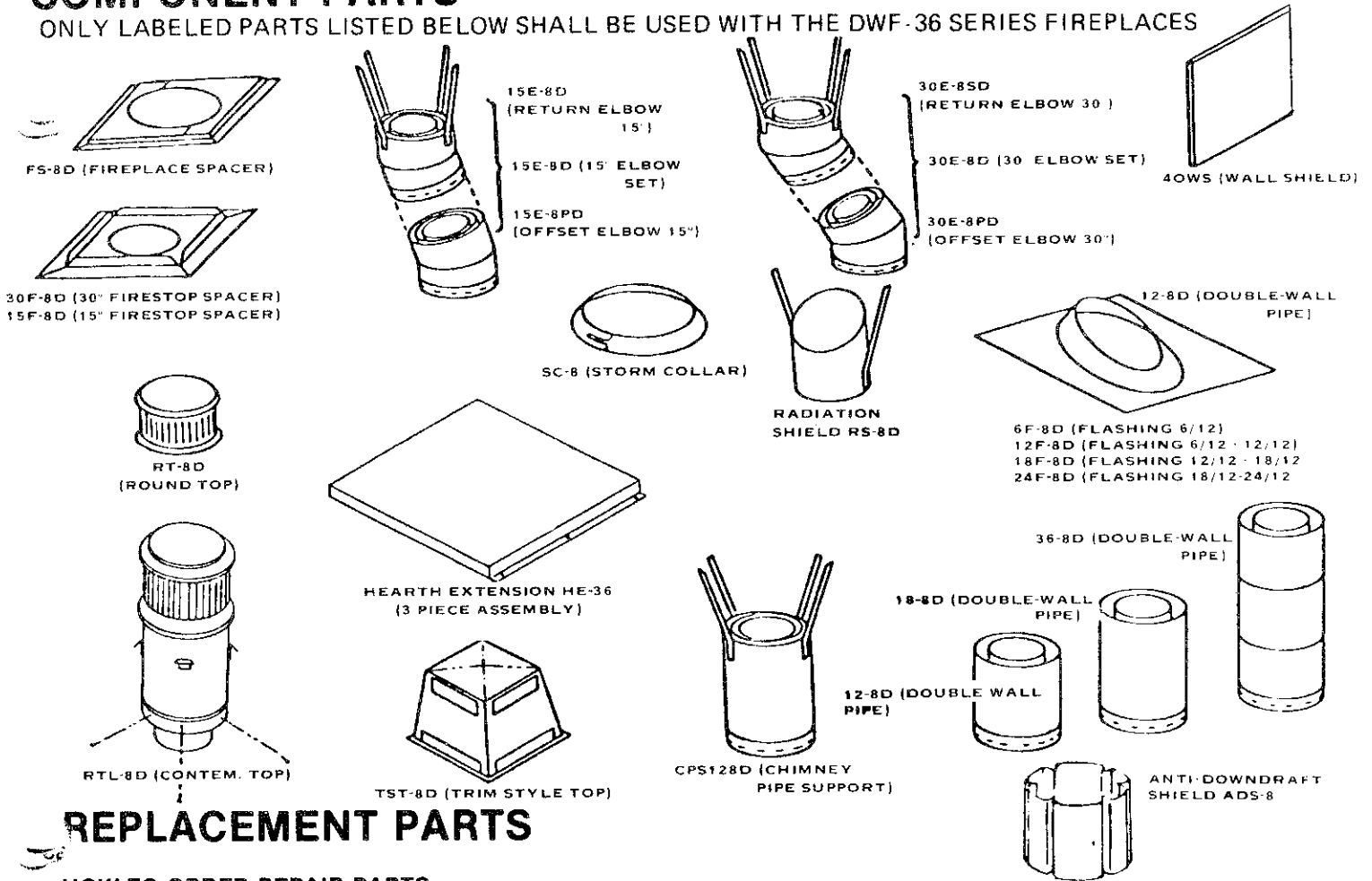
DAMPER CONTROL LEVER

The damper control lever located on the outside of the firebox has been engineered to provide for safe operation of your fireplace. It is a "fail safe" spring loaded design to prevent "dampering down" with a large fire and cause a potential smoke hazard as any fuel burning appliance would do if not properly exhausted. If you forget to open the damper before you start your fire (you will know immediately by the smoke entering your home) simply lift the damper lever from its closed position notch and the "spring loaded" design will assist in moving the damper to the open position.

NOTE: THIS INFORMATION ABOUT THE DAMPER CONTROL LEVER IS APPLICABLE TO MODEL DWF36F-2 WITH OR WITHOUT GLASS DOORS AND TO MODELS DWF36G-2 & DWF36G0-2 WITH GLASS DOORS ONLY.

COMPONENT PARTS

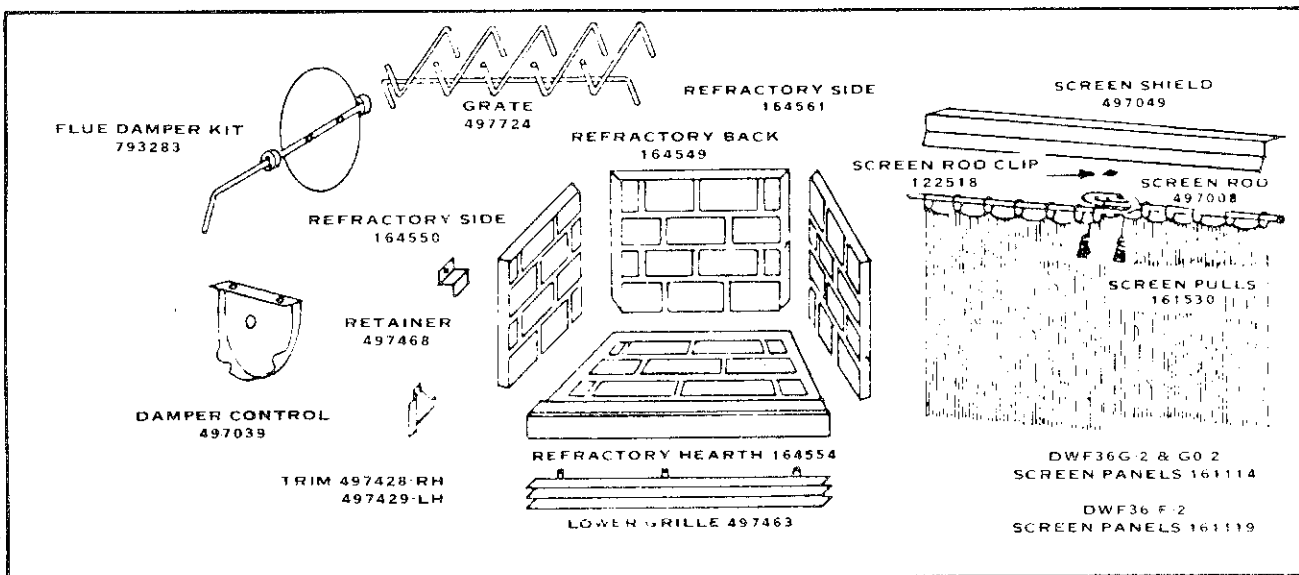
ONLY LABELED PARTS LISTED BELOW SHALL BE USED WITH THE DWF-36 SERIES FIREPLACES



REPLACEMENT PARTS

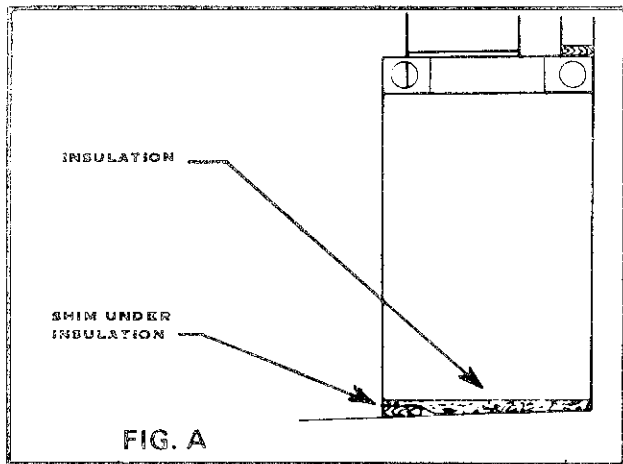
HOW TO ORDER REPAIR PARTS

1. Order repair parts from the dealer through whom you purchased the fireplace if possible.
2. Parts orders must be made out in accordance with the parts list and parts pictures.
3. Be sure to give the part number, the name of the part and the fireplace model number. The model number is located on the inside right hand of the fireplace.
4. When remittances are sent with the order, include enough for transportation.
5. There is a minimum invoice charge of \$10.00 plus postage for each order. To avoid this charge the parts ordered should total that amount or more.
6. All parts prices are subject to change without notice.

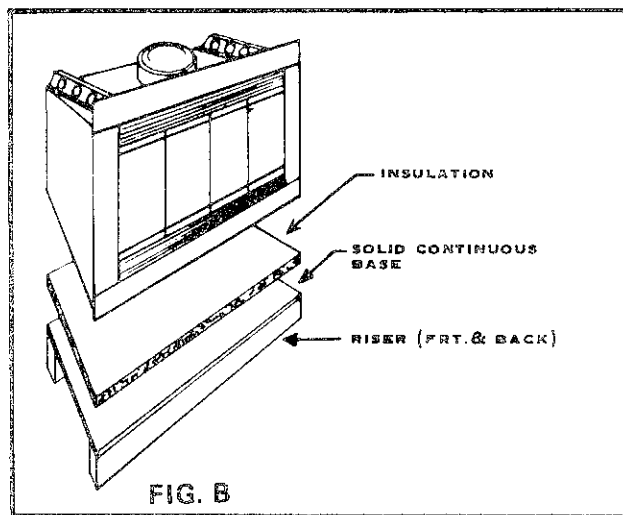


COLD CLIMATE INSTALLATION

When installing fireplaces in an outside chase in a cold climate, it is important to isolate the metal bottom from the cold air by setting the fireplace on non-combustible insulation resting on a solid surface. The insulation must be rated to withstand a temperature of 300°F. If shimming is required to level fireplace, make sure shims are under insulation (see Fig. A).

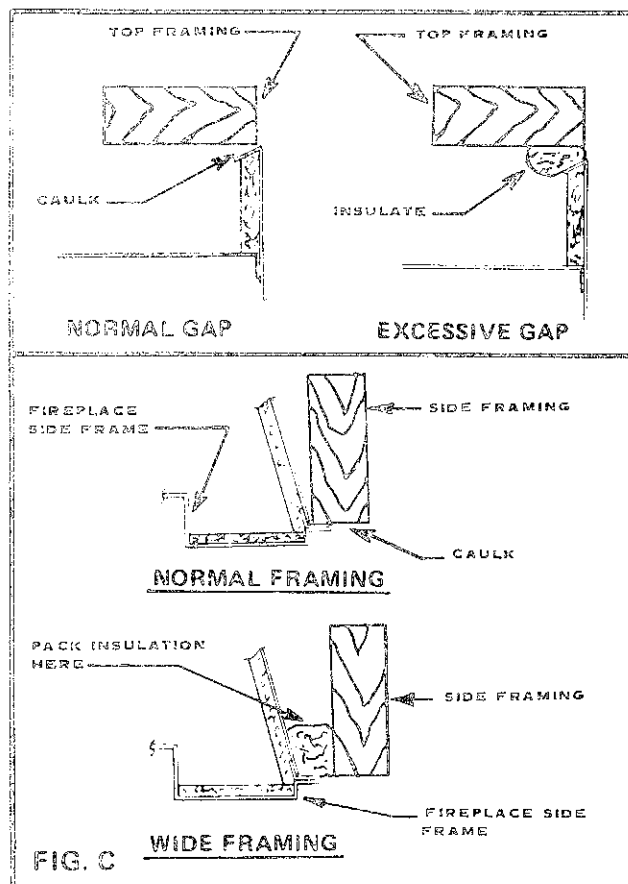


When raising the fireplace above floor level of chase is desired by use of risers, place a piece of 5/8" plywood on the risers to insure positive contact with the entire bottom of unit (see Fig. B).



Inspect all joints for fit, if any joint is not fitting properly due to shipping, handling, etc. then caulk or use duct tape to prevent cold air leaks through fireplace into the room.

Caulk all cracks around fireplace wherever cold air can enter room (see Fig. C).

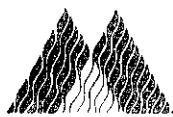


Inspect to be sure access plate to "J" box (on models wired for blowers) is replaced after wiring is completed. When installing gas line, pack non-combustible insulation around gas line where it enters the fireplace at the outer wall. As a further precaution, finish facia inside the room should be caulked between facia and fireplace to prevent entry of cold air or escape of warm air (depending on negative or positive pressure in the house).

In areas of extreme cold, it is recommended, though not required, to insulate the outer walls of the chase. This would reduce the possibility of cold air convection currents on the fireplace. NEVER use blown-in type of insulation as this could plug the holes at the base of the chimney and interfere with the thermal syphoning action necessary to keep the chimney cool.

NOTE: In areas of high wind, it is possible for "down draft" to occur through outer cell(s) of double or triple wall chimney. An "Anti Draft Shield" (ADS) has been designed to alleviate this condition.

NOTE: Do not let insulation material come in contact with fireplace in between required air spaces.



MARCO

2520 Industry Way, Lynwood, CA 90262 (213) 564-3201

P/N - 181601 REV. 1-84