

## INSTALLATION TO EXISTING FIREPLACE

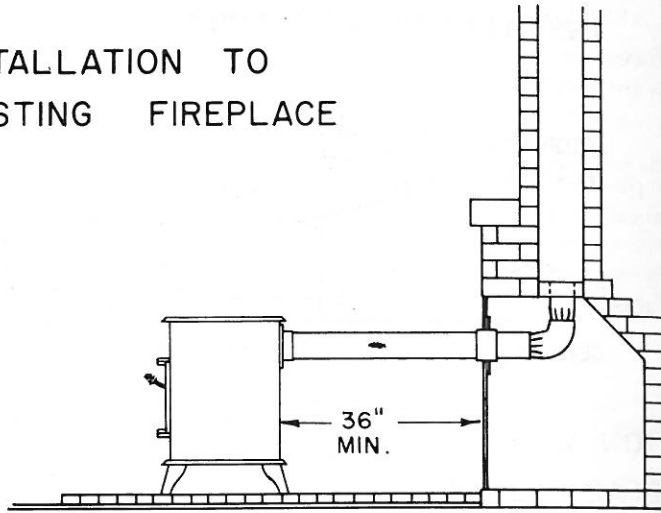


FIGURE 3

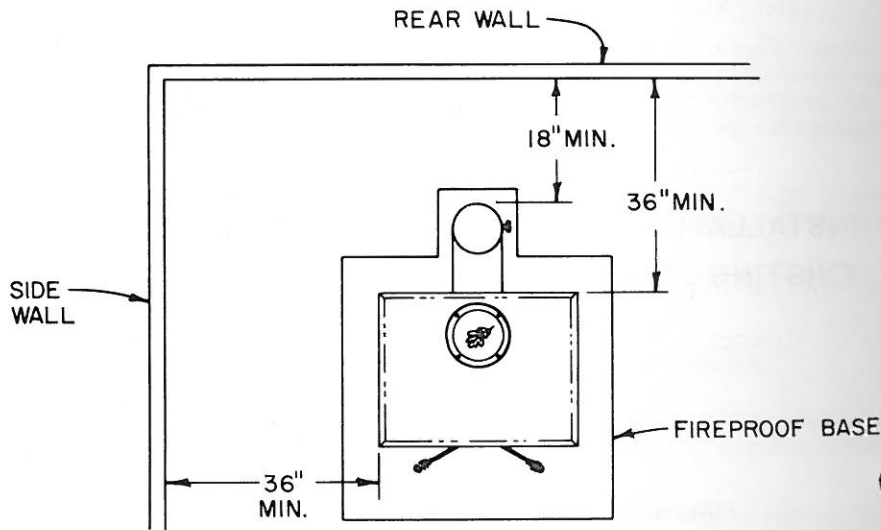


FIGURE 4

## ASSEMBLY INSTRUCTIONS FOR STOVE

1. Remove all loose parts and packing from stove.
2. Locate stove in desired position (See Section: LOCATION OF STOVE). Install flue ring on rear or top of stove, depending on connector pipe installation.
3. Install cover plate.
4. Install connector pipe. (See Section: CONNECTOR PIPE INSTALLATION).
5. Install blower when applicable.
6. Failure to install the appliance properly could cause a house fire.

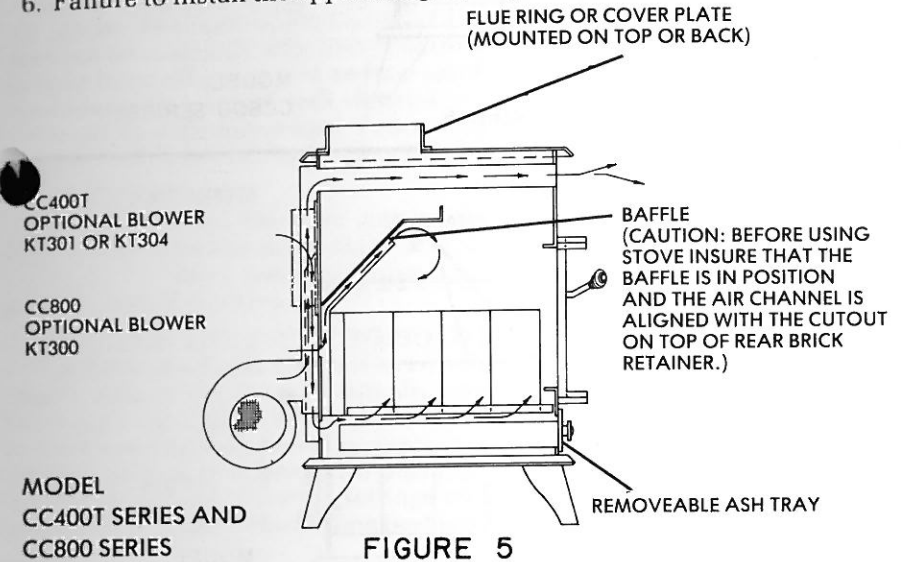
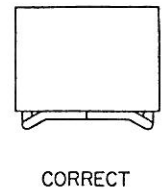
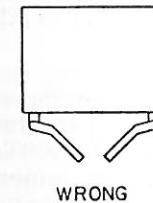
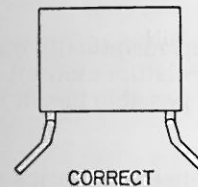


FIGURE 5



**WARNING:** Fireplace stoves should be operated with doors fully open or doors fully closed. If doors are left partly open, gas and flame may be drawn out of the fireplace stove opening creating risks from both fire and smoke.