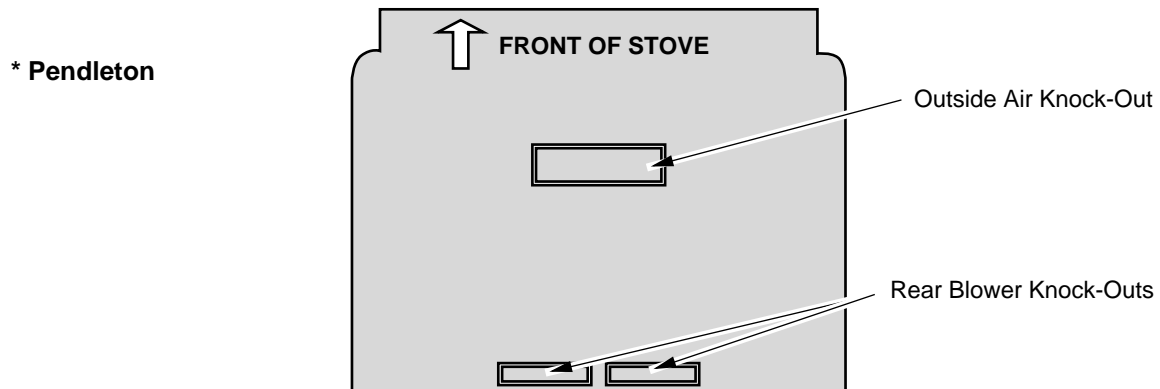
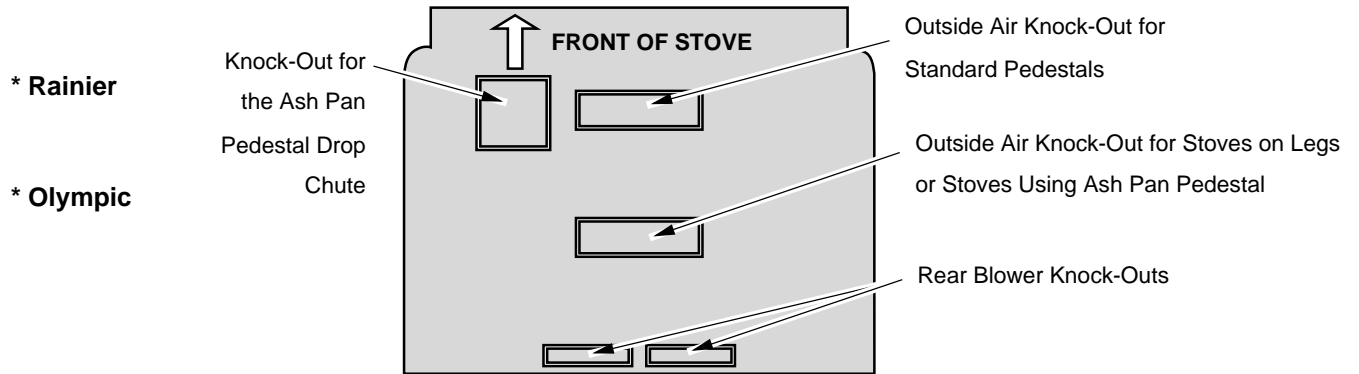




Outside Air Knock-Outs

The following models require removal of a knock-out on the bottom of the stove.





Installation with Pedestal

(a)

Tuck insulation (included with the pedestal) under both sides of the pedestal and under the holes on the base of the pedestal. This prevents air from being drawn from below the pedestal.

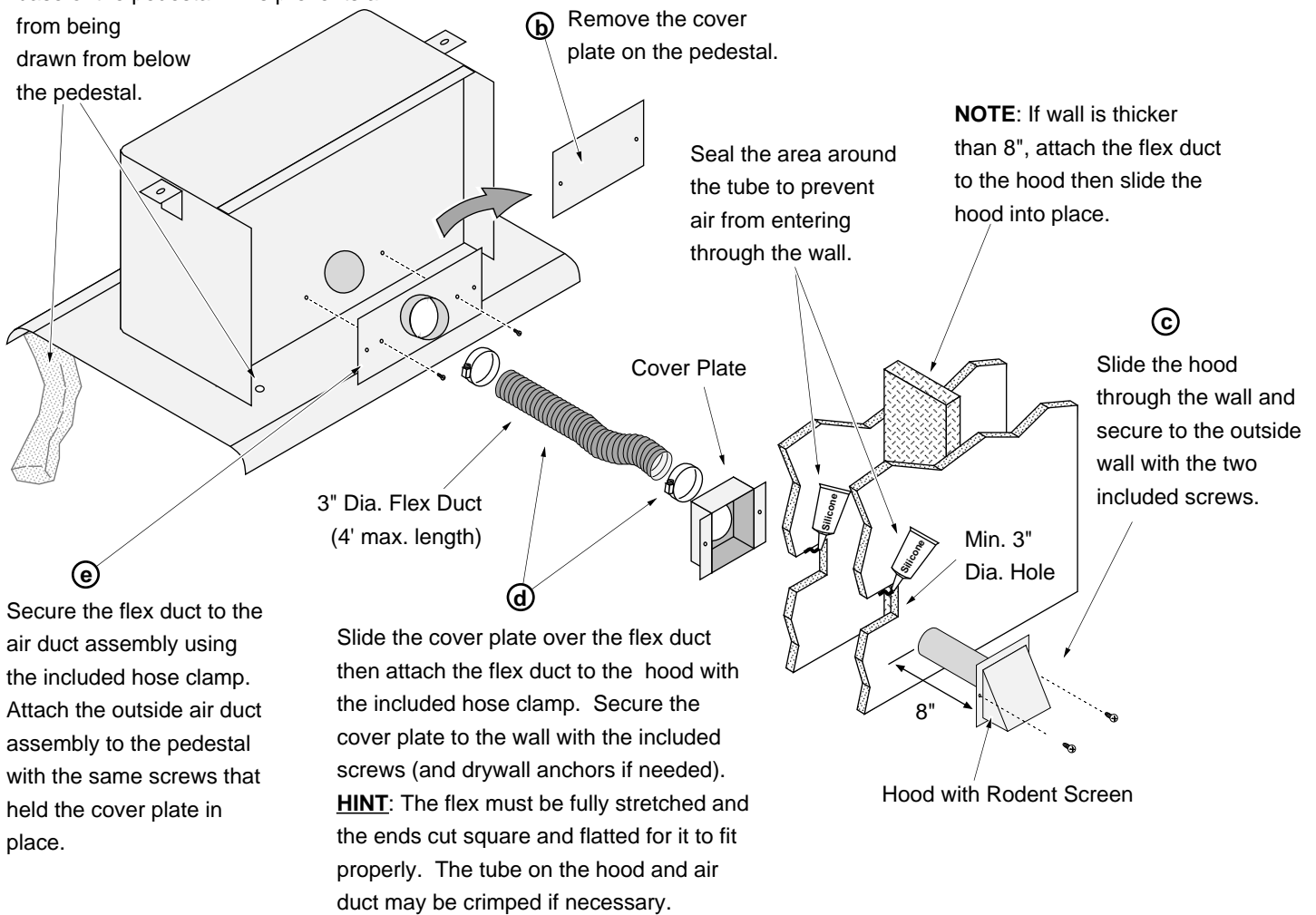
(b) Remove the cover plate on the pedestal.

Seal the area around the tube to prevent air from entering through the wall.

NOTE: If wall is thicker than 8", attach the flex duct to the hood then slide the hood into place.

(c)

Slide the hood through the wall and secure to the outside wall with the two included screws.

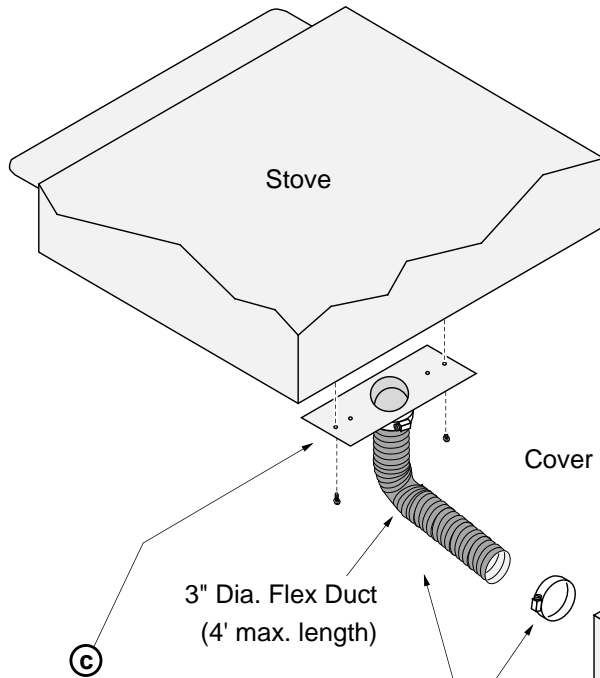


(e) Secure the flex duct to the air duct assembly using the included hose clamp. Attach the outside air duct assembly to the pedestal with the same screws that held the cover plate in place.

(d) Slide the cover plate over the flex duct then attach the flex duct to the hood with the included hose clamp. Secure the cover plate to the wall with the included screws (and drywall anchors if needed). **HINT:** The flex must be fully stretched and the ends cut square and flatted for it to fit properly. The tube on the hood and air duct may be crimped if necessary.



Installation with Legs

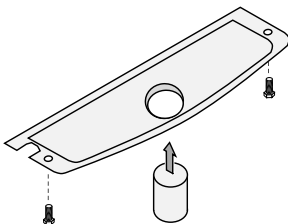


**All Stoves Except
Leyden/Arbor:**

Secure flex duct to air duct assembly using the included hose clamp. Attach air duct assembly to stove with two included #8 screws.

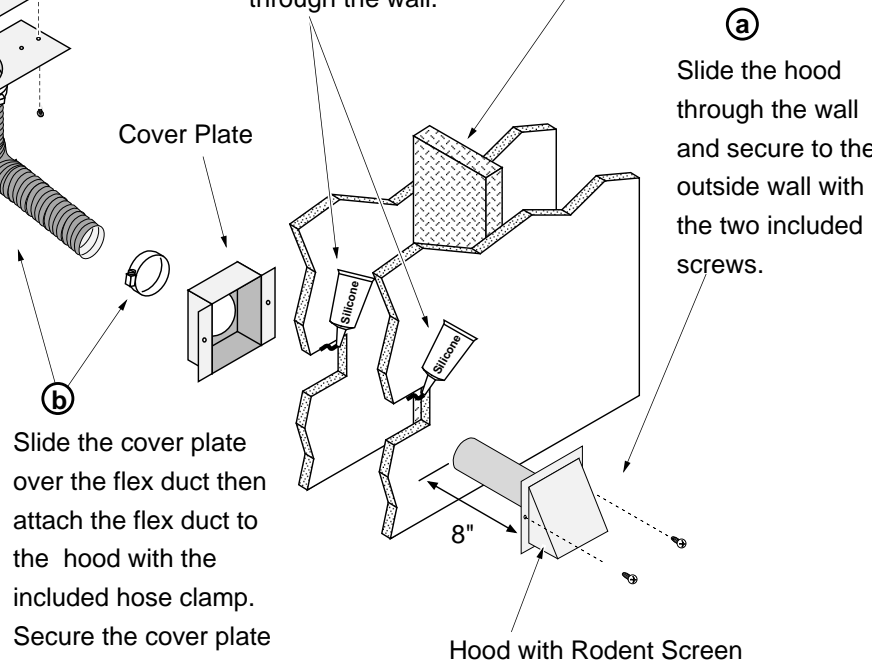
Leyden/Arbor:

Remove the outside air cover from the bottom of the stove. Insert the start collar into the air cover and tap into place with a mallet. Secure the flex duct to the start collar using the included hose clamp.



Seal the area around the tube to prevent air from entering through the wall.

NOTE: If wall is thicker than 8", attach the flex duct to the hood then slide the hood into place.



Slide the cover plate over the flex duct then attach the flex duct to the hood with the included hose clamp. Secure the cover plate to the wall with the included screws (and drywall anchors if needed).

HINT: The flex must be fully stretched and the ends cut square and flatted for it to fit properly. The tube on the hood and air duct may be crimped if necessary.