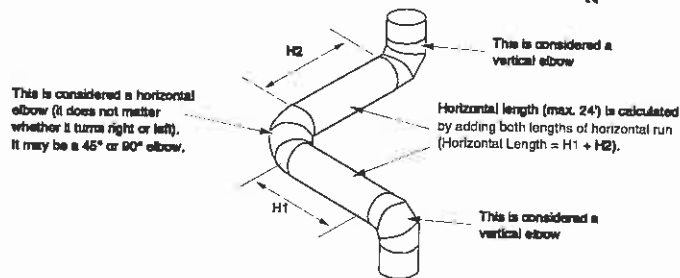
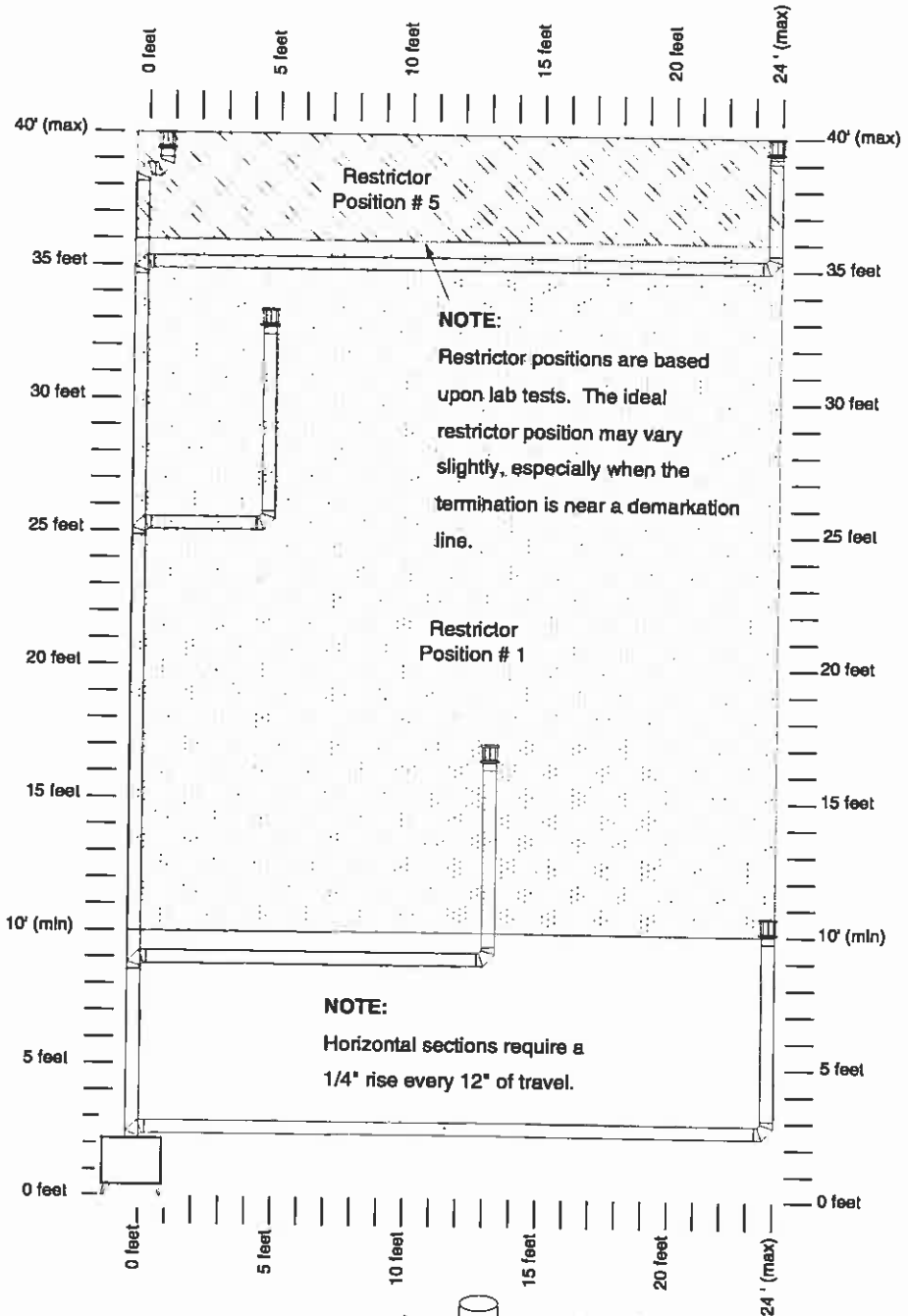


# Prairie™ Direct Vent Gas Stove

## Approved Venting Configurations for Vertical Terminations with Three 90 Degree Elbows (Two Vertical and One Horizontal Elbow)

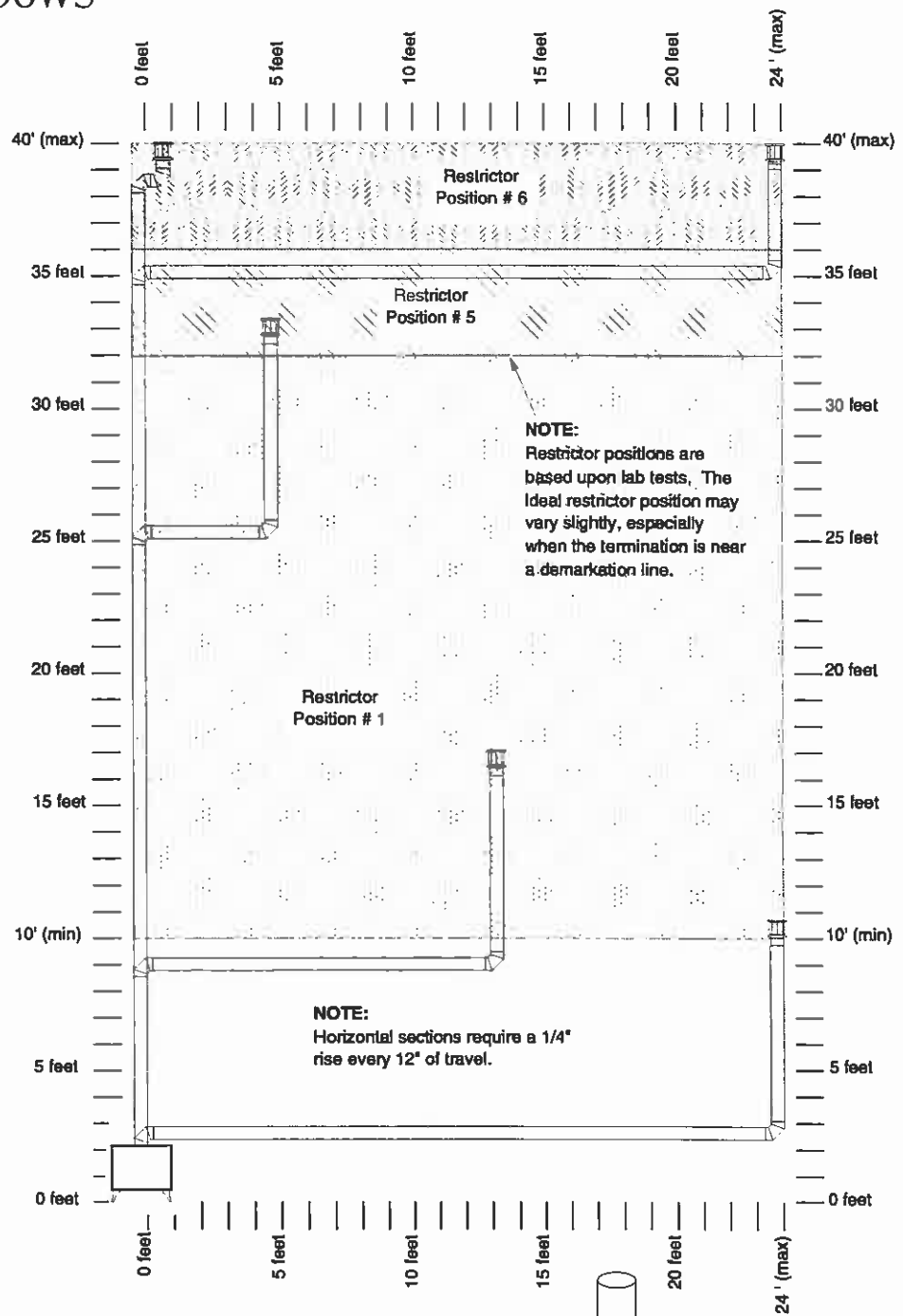
- The termination must fall within the shaded area shown in the chart. Use the indicated restrictor position.



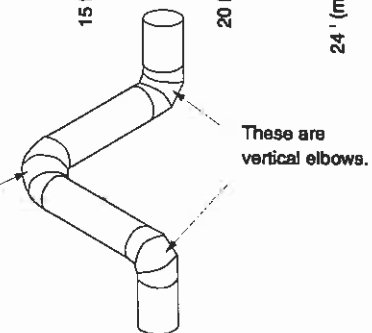
# Prairie™ Direct Vent Gas Stove

## Approved Venting Configurations for Vertical Terminations with 90 Degree Elbows

- The termination must fall within the shaded area shown in the chart. Use the indicated restrictor position.



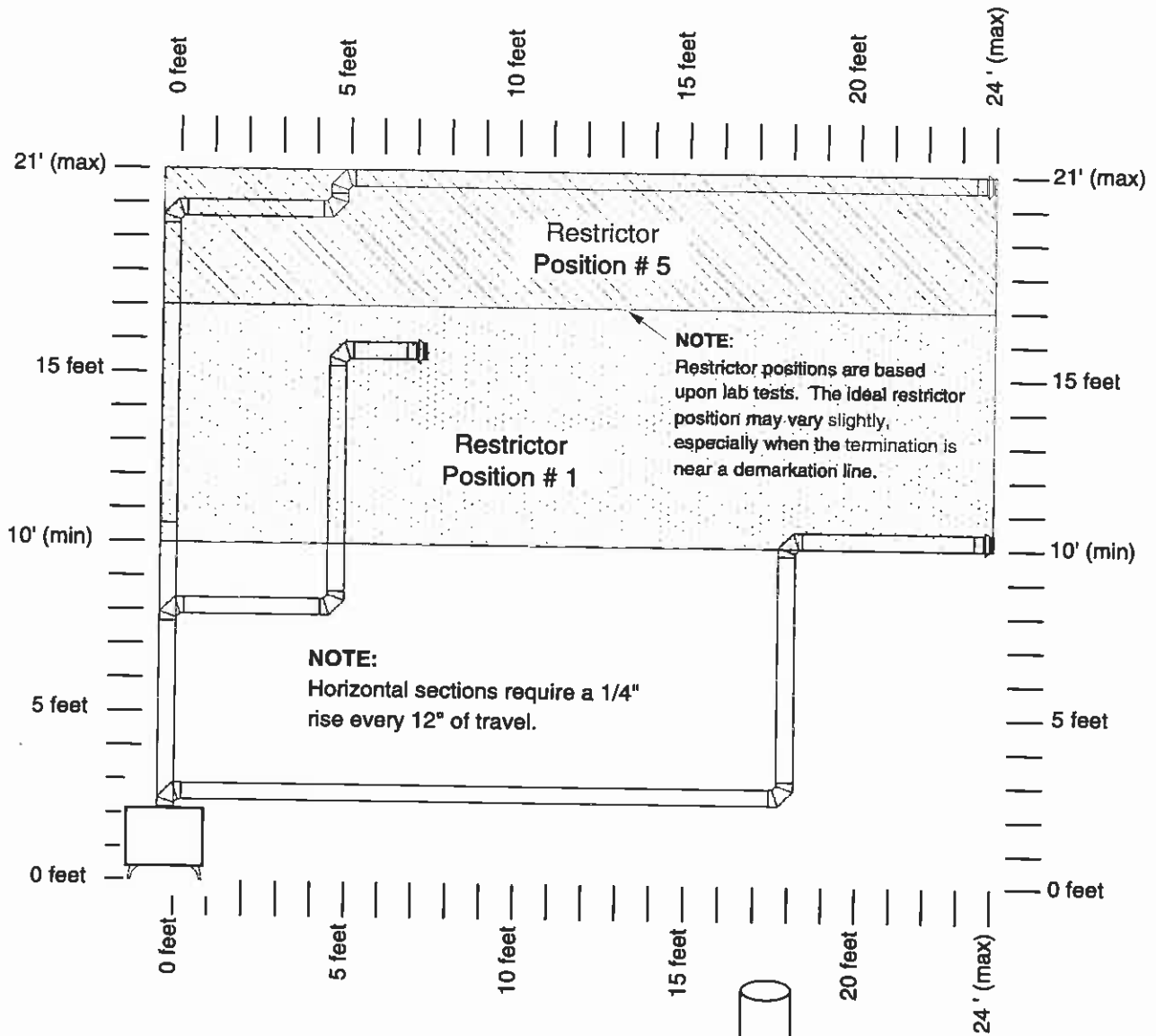
This is a horizontal elbow - **NOT ALLOWED FOR THIS VENT CONFIGURATION**



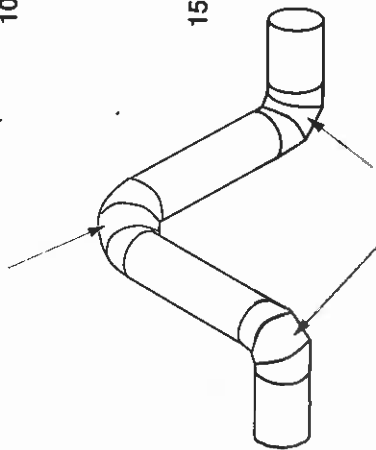
# Prairie™ Direct Vent Gas Stove

## Approved Venting Configurations with a Horizontal Termination and Three 90 Degree Elbows (all vertical)

• The termination must fall within the shaded area shown in the chart. Use the indicated restrictor position.



This is a horizontal elbow -  
**NOT ALLOWED FOR THIS VENT CONFIGURATION**

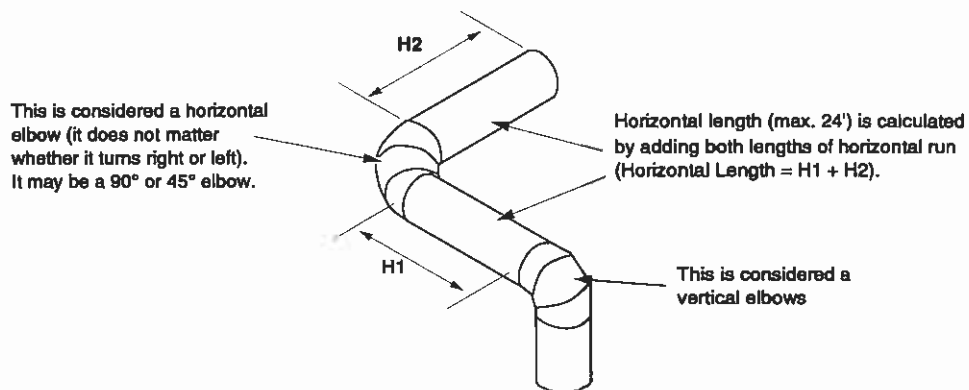
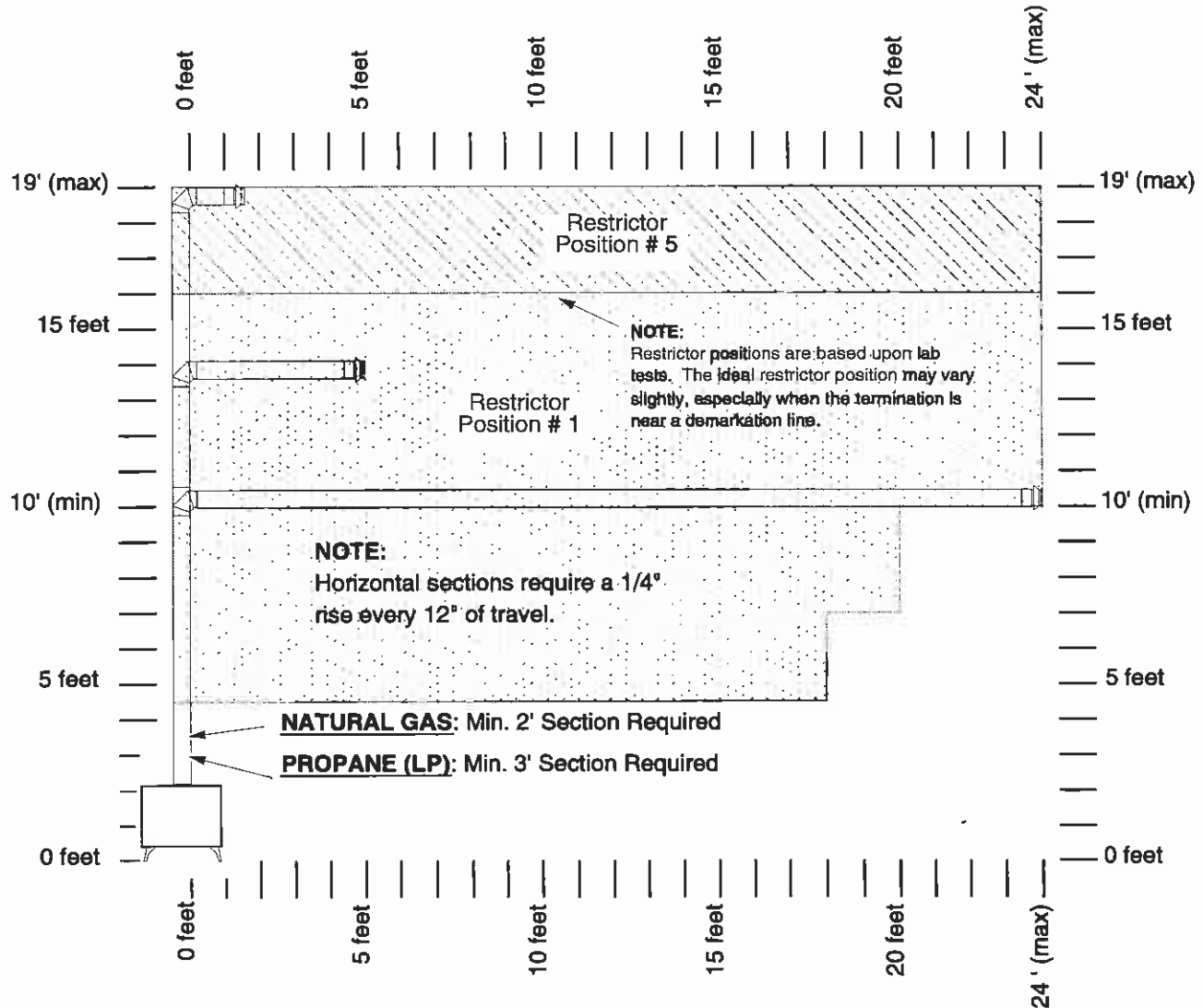


These are vertical elbows.

# Prairie™ Direct Vent Gas Stove

## Approved Venting Configurations with a Horizontal Termination and Two 90 Degree Elbows (one vertical and one horizontal)

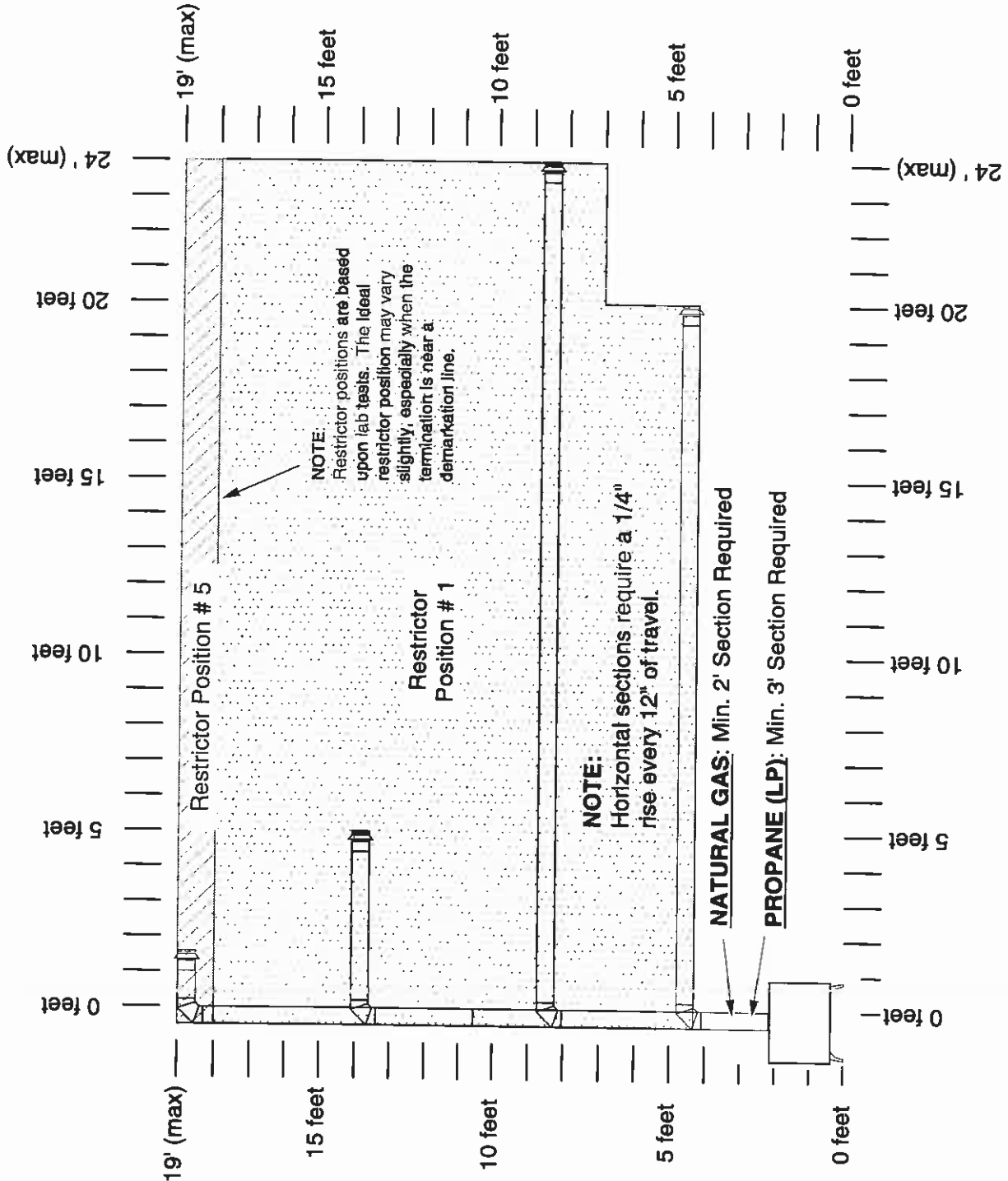
- If using a Snorkel Termination (14" or 36") add the snorkel height to the vertical height (snorkel terminations are used primarily for basement installations).
- The termination must fall within the shaded area shown in the chart. Use the indicated restrictor position.



# Prairie™ Direct Vent Gas Stove

## Approved Venting Configurations for a Horizontal Termination and One 90 Degree Elbow

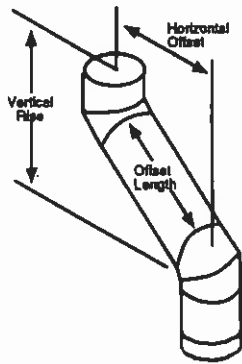
- If using a Snorkel Termination (14" or 36") add the snorkel height to the vertical height (snorkel terminations are used primarily for basement installations).
- The termination must fall within the shaded area shown in the chart. Use the indicated restrictor position.



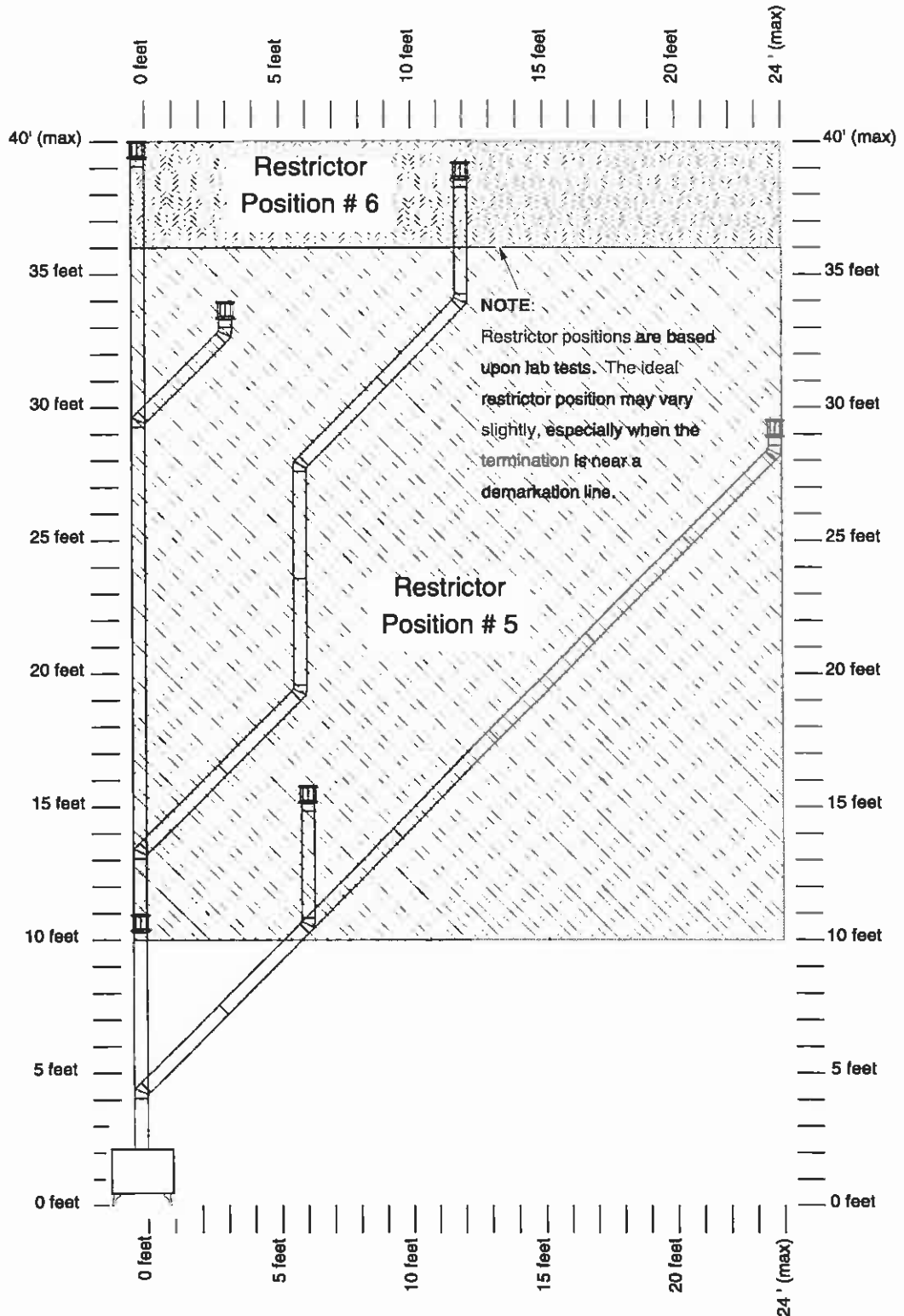
# Prairie™ Direct Vent Gas Stove

## Approved Venting Configurations for Vertical Terminations with Zero, Two, or Four 45 Degree Elbows

- 10' Minimum System Height (with or without offsets)
- 40' Maximum System Height
- 24' Maximum Offset
- The termination must fall within the shaded area shown in the chart. Use the indicated restrictor position
- If using offsets, use the table below to calculate the vertical rise and horizontal offset



Offset Length	Hor. Offset	Vert. Rise
None	5"	1'
1' Section	1'	1' 7"
2' Section	1' 9"	2' 4"
3' Section	2' 5"	3'
4' Section	3' 2"	3' 8"
4' + 1' Section	3' 9"	4' 4"
4' + 2' Section	4' 6"	5'
4' + 3' Section	5' 2"	5' 9"
4' + 4' Section	6'	6' 9"

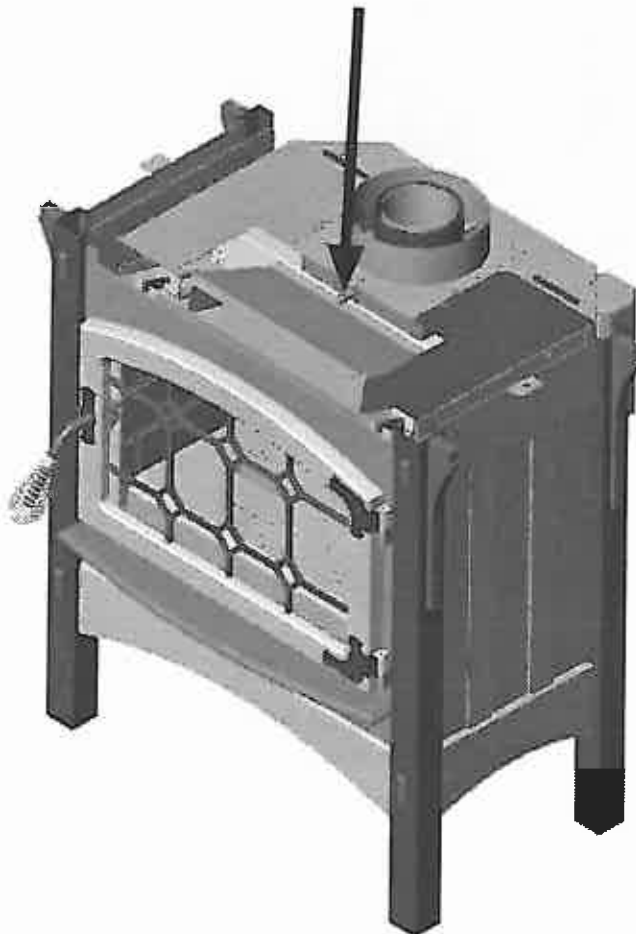
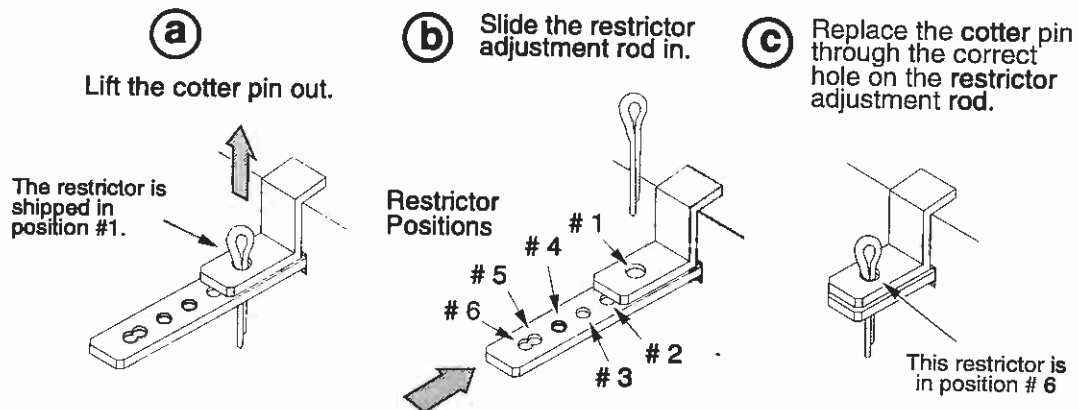


# Prairie™ Direct Vent Gas Stove

## Restrictor Position Adjustment

• A vent restrictor is built into the appliance to control the flow rate of exhaust gases. This ensures proper flames for the wide variety of vent configurations. Depending upon the vent configuration, you may be required to adjust the restrictor position. The following pages illustrate the approved vent configurations and describe which position the vent restrictor must be in.

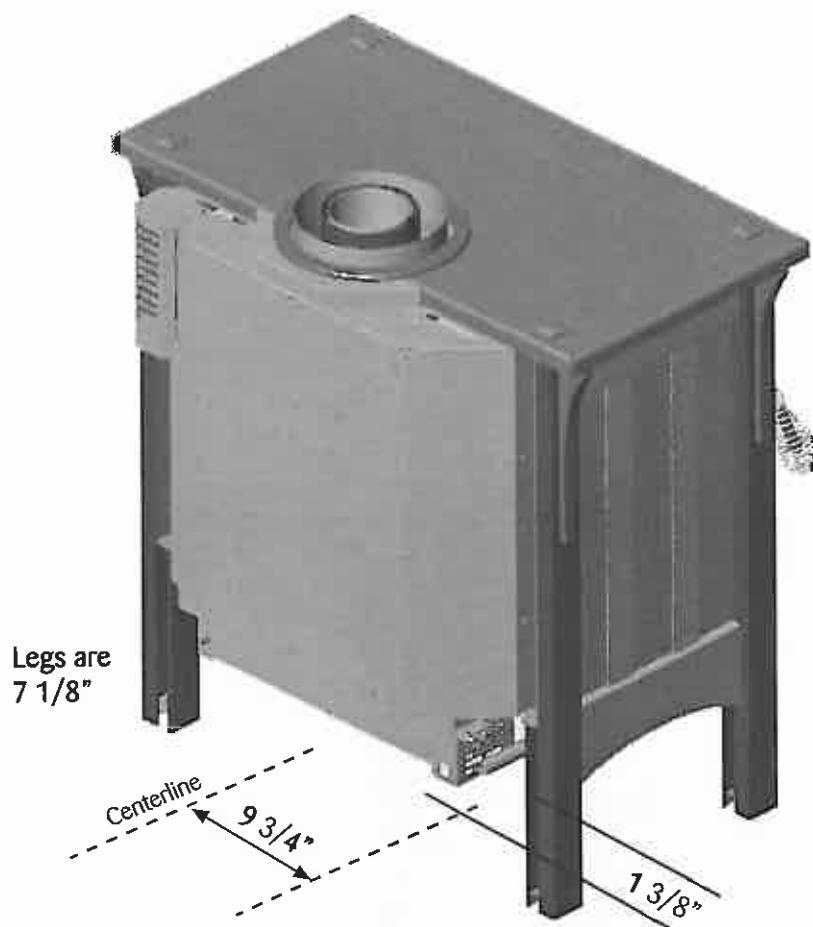
### To Adjust the Restrictor



# Prairie™ Direct Vent Gas Stove

## Gas Line Installation

- The gas line must be installed in accordance with all local codes; if any; if not, follow current ANSI Z223.1 or NFPA 54 in the USA and all CGA B149 in Canada.
- The heater and gas control valve must be disconnected from the gas supply piping during any pressure testing of the system at a test pressure in excess of 1/2 psi (3.45 kPa).
- This heater is designed for natural gas but can be converted to propane.
- Leak test all gas line joints and the gas control valve prior to and after starting the heater.
- The gas inlet accepts a 3/8" N.P.T. Fitting.
- A manual shutoff valve is required for installation (it must be located within 3' of the heater).



	Standard Input Pressure
Natural Gas (NG)	7" W. C. (1.74 Kpa)
Propane (LP)	11" W. C. (2.73 Kpa)



# Prairie™ Direct Vent Gas Stove

## Modulating Remote Control

- Powered by 110v (Receiver) and 3 AAA batteries (Hand Held Remote)
- Remote Kit Consists of:

- Hand Held Remote

Benefits:

- Remote thermostat
- Three blower settings (low, medium, high)
- Blower ON/OFF
- Burner ON/OFF
- Burner has five height settings at 20% increments
- Childproof lock
- Sleep timer clock



- Receiver

Receiver mounts under firebox

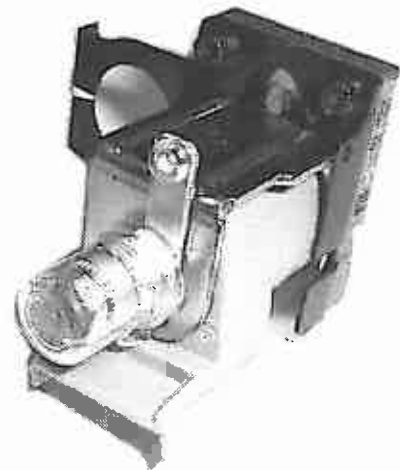
Attaches next to gas valve and plugs in with a simple molex connector

- NG or LP Regulator/Servo Motor  
Replaces the standard regulator that comes with the unit

When ordering you need to specify NG or LP

99300661NG

99300661LP

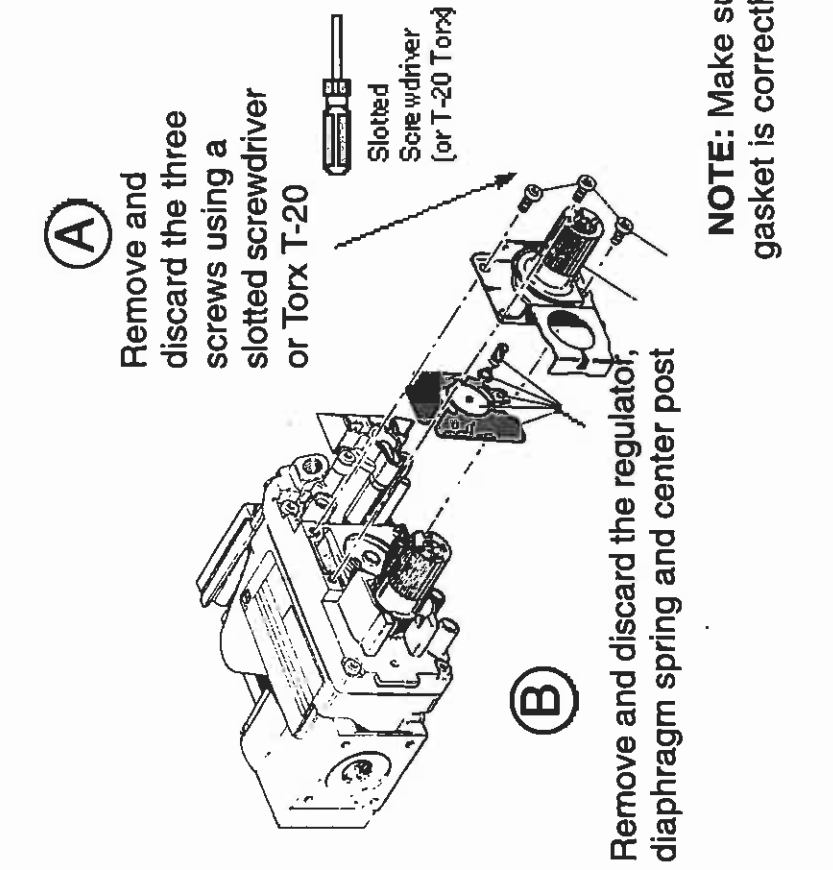


**NOTE:** Without power the unit defaults to low flame setting. Fan must be used on unit to use this remote

# Prairie™ Direct Vent Gas Stove

## SIT MILLIVOLT GAS CONTROL VALVE - Regulator Conversion for LP

These illustrations from the Owners Manual show how the Regulator is replaced for LP conversion on the new SIT valve.



# Prairie™ Direct Vent Gas Stove

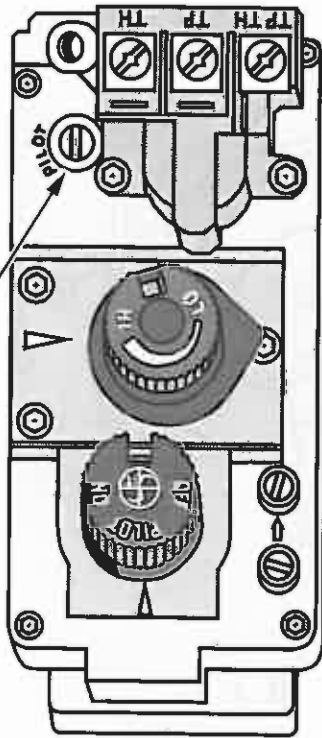
## SIT MILLIVOLT GAS CONTROL VALVE & SIT PILOT ASSEMBLY- Pilot Adjustment

The SIT valve allows easy access to pilot adjustments without removal of parts.

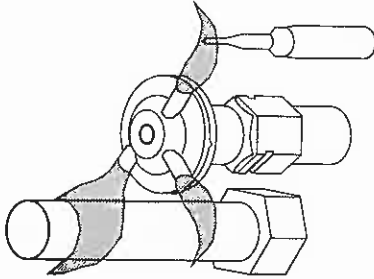
To adjust the pilot flame, turn this screw (NOTE: if totally unscrewed gas will come out of this port). Clockwise lowers the flame while counter-clockwise raises it.



Standard  
Screwdriver



The pilot flame must contact the thermocouple and thermopile (see the illustration below). Adjust the pilot up or down as necessary.

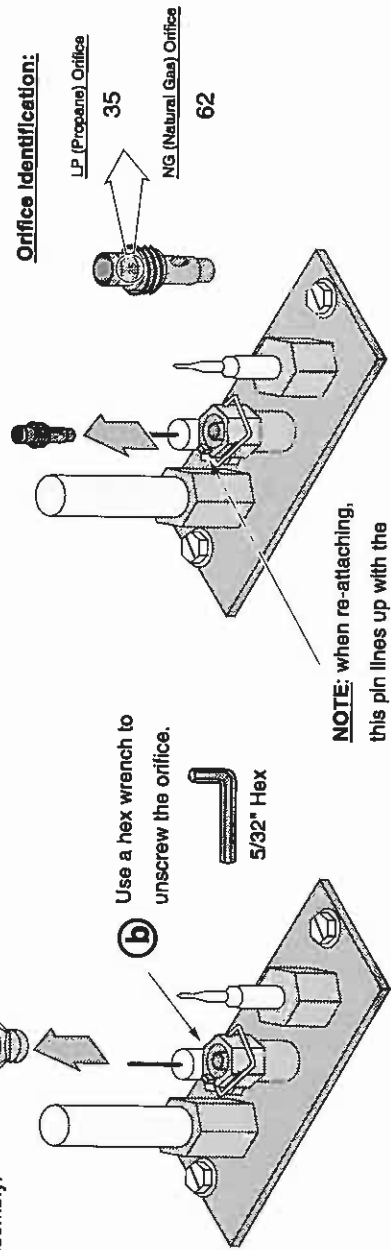


Remove the pilot orifice following the instructions below. Replace with the propane pilot orifice. The propane conversion kit includes pilot orifice with "35" stamped on it. Replace burner pan.

- a** Lift the pilot hood off the pilot assembly.

**c**

- Remove the orifice and replace with the LP orifice. Screw the orifice all the way in and replace the pilot assembly.



### Orifice Identification:

LP (Propane) Orifice 35  
NG (Natural Gas) Orifice 62

Use a hex wrench to unscrew the orifice.

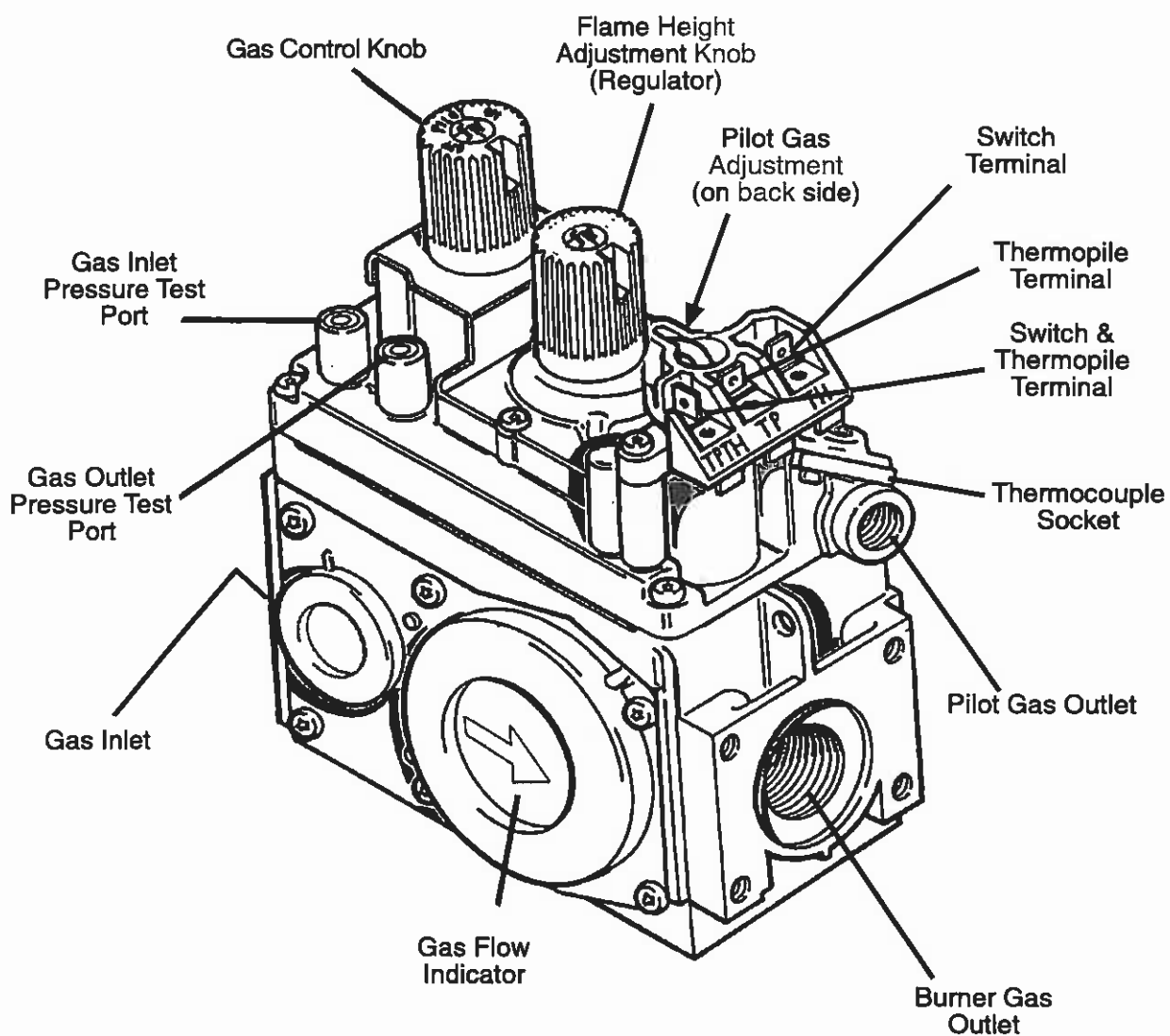
5/32" Hex

NOTE: when re-attaching, this pin lines up with the notch in the pilot hood.

# Prairie™ Direct Vent Gas Stove

## SIT MILLIVOLT GAS CONTROL VALVE DIAGRAM

Illustrated is a detailed drawing of the NEW SIT Valve. Take the time to make sure your installers, service personnel and sales staff become familiar with the features and benefits of the SIT valve.



SIT  
Millivolt Valve

# Prairie™ Direct Vent Gas Stove

---

## SIT MILLIVOLT GAS CONTROL VALVE

### FEATURES

### BENEFITS

---

Front Thermocouple  
Mount

Provides EASY access for testing or  
replacing thermocouples

---

Gas Inlet  
Test Port

Used to purge air from the supply line

Provides for easy, convenient  
incoming gas pressure testing

---

Pilot  
Adjustment  
Screw

Convenient, as it uses no cover cap  
screw

Low gas leak potential from  
adjustment port due to a double  
“O-Ring” seal

---

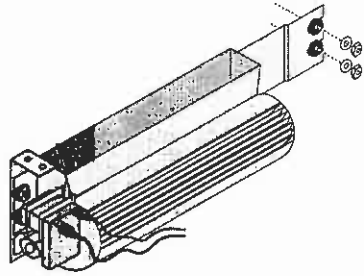
ON/OFF Pilot  
Control Safety  
Lockout

Provides extra safety should the pilot  
go out.

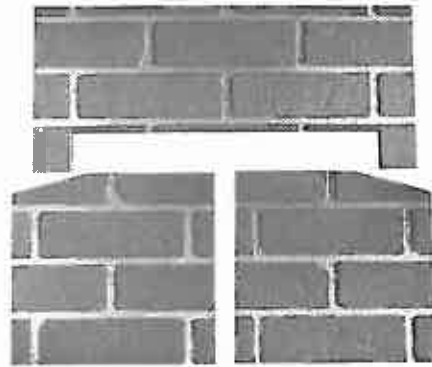
Upon a pilot outage, the control knob cannot  
be operated until the safety magnet drops out. A  
distinctive click will be heard after 30 seconds  
signifying that the control knob can now be  
operated.

# Prairie™ Direct Vent Gas Stove

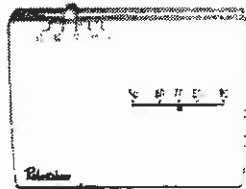
## OPTIONS



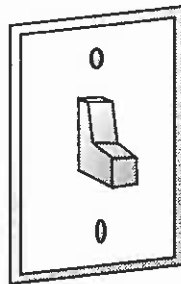
Blower, DV Gas Stove  
(130 CFM)  
99000150



Cast Brick Fireback  
(Sides and Back)  
99600220



Wall Thermostat  
99300650



Wall Switch  
99300640



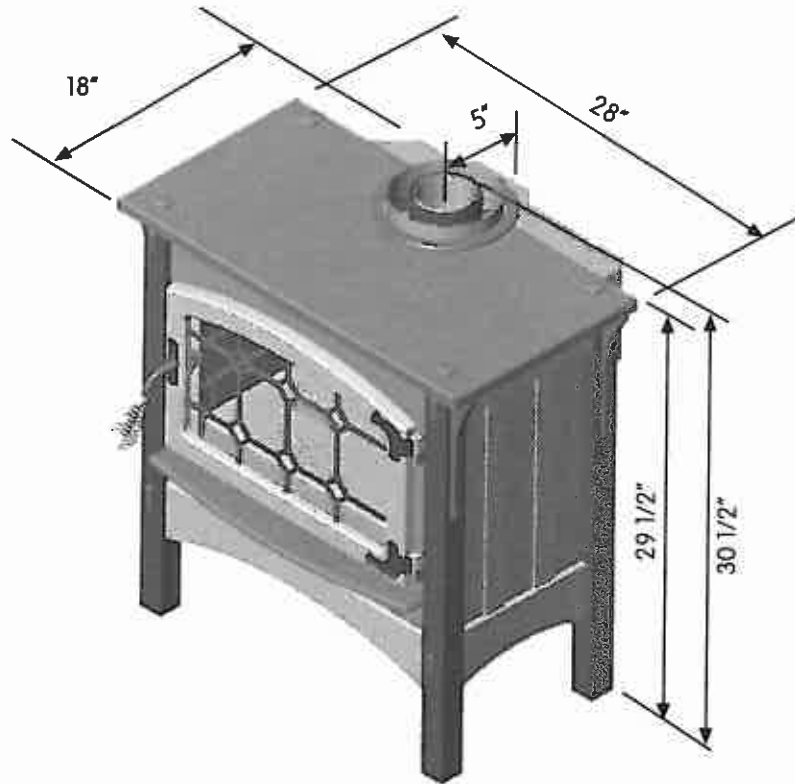
Remote Control  
99300653  
Includes receiving  
unit and remote



Modulating Remote  
Control  
99300661NG  
99300661LP  
Includes servo motor,  
receiving unit and remote

# Prairie™ Direct Vent Gas Stove

## SPECIFICATIONS



## INSTALLATION/CLEARANCES

(See Owner's Manual for details, these are preliminary clearances)

### Hearth Pad Requirements:

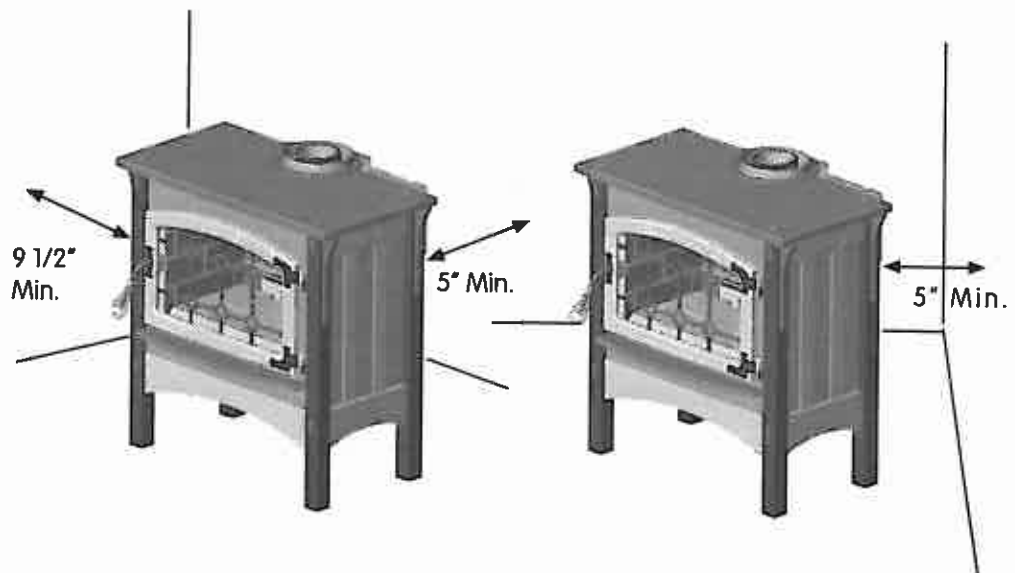
When the stove is installed directly on carpeting, vinyl, or other combustible material, (other than wood flooring or a high pressure laminate wood floor) the stove must be installed on a Hearth Pad or metal or wood protection panel extending the full width and depth of the heater (minimum 28" wide by 18" deep).

### Combustible Clearances

NOTE: Measure side wall, corner, and back wall clearances from the stove top.

### REDUCING CLEARANCES:

Clearances may be reduced by methods specified in NFPA-211, listed wall shields, pipe shields, or other means approved by local building or fire officials.



# Prairie™ Direct Vent Gas Stove

---

## Standard Features & Benefits

### FEATURES:

### BENEFITS:

Standing Pilot/Millivolt System

Automatically stops flow of gas through the valve within 30 seconds in the event of a pilot outage. Creates sufficient electricity to run the stove and a thermostat in the event of a power outage.

Seven-Year Warranty

Offers homeowners protection beyond other manufacturers' so called "Lifetime Warranty".

Heavy Duty Steel Firebox with Convection Chamber

The Prairie's convection chamber provides rapid heat transfer and the durability of steel ensures longer life.

Heat Exchanger To Enhance Heat Output

The stove achieves very high heat transfer with maximum efficiency reaching 86.5%.

Quick Release Glass Clips

Quick and easy access to clean glass and maintain and service the appliance. No nuts and bolts to remove and reinstall.

Twin Pressure Relief Doors and Pressure Relief Door Frame

State-of-the-art Design insures product will always operate safely in the event of delayed ignition up in the firebox.

Propane Conversion Kit

You can convert from natural gas to propane without purchasing LP kit heat transfer.

Stove Shipped Assembled

Customer receives product with assurance of proper fit-up and quality finish, reduces installation and assembly

Radiant & Natural Convection Heat

Proven heat exchanger provides convection heat to surrounding rooms, as well as the room the appliance is installed in.



# Prairie™ Direct Vent Gas Stove

## Standard Features & Benefits

### FEATURES:

Beautiful, new Mission design  
with fine details & antique nickel plated  
accents

Tru-Fire™ Burner (patent pending)

Restrictor Link (patent pending)

“Self-Balancing” Direct Vent System  
(patent pending)

Large Viewing Area

Piezo Pilot Ignition

SIT Gas Control Valve

SIT Pilot Assembly

### BENEFITS:

This meticulous tribute to the Mission and Prairie  
style furniture provides a product that is sure to become  
a family heirloom.

Customer can enjoy the most realistic glowing ember bed,  
glowing hand carved logs and soothing yellow flames,  
which combine to create the most beautiful fire ever offered  
in a gas appliance.

One mechanism links both exhaust and intake restrictors  
further enabling installers to adjust the draft and create that  
“As Seen In Your Showroom” enchanting fire in your  
customers home.

This feature allows outside air to be drawn into the  
exhaust vent and mixed with exhaust gases to help regulate  
excessive overdraft conditions and help prevent pilot  
outages and lifting flames. This feature also helps  
compensate for varying environmental conditions, i.e.,  
barometric pressure changes and variances in wind  
conditions.

16 1/2” wide by 9 1/2” tall  
(150 square inches).

Allows trouble-free start up and operation even during  
power outages.

Gives your customer the option to adjust flame height/heat  
output and blower speed with remote control.

Provides for easy LP conversion and longer durability

8/1/2000

## Prairie™ Mid-Sized Mission Gas Stove

### PERFORMANCE (NG & LP)

- Heating Capacity 500 to 1,750 sq. feet
- Minimum BTU Output - 16,600 Btu's/Hr.
- Maximum BTU Input 31,000 Btu's/Hr.
- Efficiency - Up to 86.5% with maximum vent configuration  
- Up to 78.2% with minimum vent configuration
- AFUE - 67.2%
- Electrical - Volts 115 - Amps 1.3 (Draw 150 Watts on High)



### APPROVALS

- Tested and Listed By Omni-Test Laboratories
- Direct Vent Stove
- Natural Gas or Propane
- Standard Residential - Straight or Corner Installation
- Masonry chimney conversion (using DuraVent 934 Masonry Conversion Kit with an aluminum liner)
- Freestanding Top Vent Stove - Vertical or Horizontal Termination
- Mobile Home Approved
- Bedroom Approved
- Hearthstove Approved
- Alcove Approved

### PRICING

Contact your sales manager, rep or distributor for pricing



# AVALON™



MISSION COLLECTION™



PRAIRIE™  
Direct Vent Gas Stove



**Travis  
Industries™**

*Advancing the Art of Fire  
Manufactured in Kirkland, WA U.S.A.*