

INSTALLATION AND OPERATING INSTRUCTIONS

Warning: Improper installation, adjustment, alteration, service or maintenance may void warranty and cause injury or property damage. Refer to this manual.

For assistance or additional information consult a qualified installer, service agency or the gas supplier.

FOR SAFE INSTALLATION AND OPERATION OF YOUR COMFORTEC FIREPLACE PLEASE NOT THE FOLLOWING:

1. This appliance should only be installed by a qualified installer. Installation must conform with the local codes, or in the absence of local codes, with the latest edition of the National Fuel Gas Code, ANSI Z223.1
2. This appliance gives off high temperatures and should be located out of heavy traffic areas and away from furniture and draperies.
3. Children and adults should be alerted to the hazards of the high surface temperatures of this appliance and should stay away to avoid burns or ignition of clothing.
4. Children should be carefully supervised when they are in the same room as your fireplace appliance.
5. Under no circumstances should this appliance be modified. Parts that have to be removed for servicing should be replaced prior to operating this appliance again.
6. Installation and any repairs to this appliance should be done by a qualified service person. A professional service person should be called to inspect this appliance annually. Make it a practice to have all of your gas appliances checked annually.
7. Control compartments, burners and air passages in this appliance should be kept clean and free of dust and lint. Make sure that the gas valve and pilot light are turned off before you attempt to clean this unit.
8. The venting system (chimney) of this appliance should be inspected at least once a year and if needed, your venting system should be cleaned.
9. Never connect a gas appliance to a chimney flue serving a separate solid-fuel burning appliance.
10. Keep the area around your appliance clear of combustible materials, gasoline and other flammable vapors and liquids. This appliance should not be used as a drying rack for clothing, nor should Christmas stockings or decoration be hung in the area of it.
11. Do not operate this appliance without glass in place. Replace glass only with "CERAMIC" glass with the original thickness and size (available from your Comfortec dealer).
12. Under no circumstances should any solid fuels (wood, paper, cardboard, coal) be used in this appliance.
13. Do not use this heater if any part has been underwater. Immediately call a qualified service technician to inspect the heater and to replace any part of the control system and any gas control which has been underwater.

GAS SPECIFICATIONS

Model	Fuel	Maximum Input
CDV36RN	NATURAL GAS	26,000 BTU/HR
CDV36RP	PROPANE GAS	18,500 BTU/HR

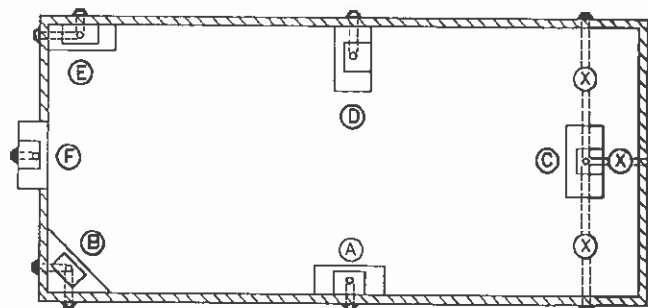
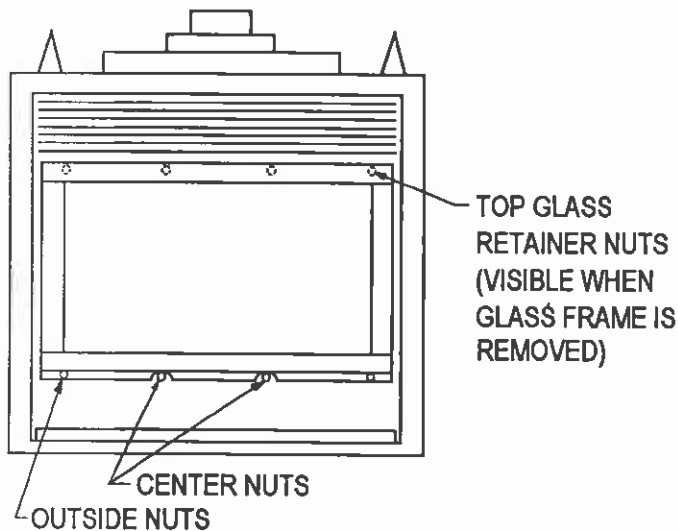
Manifold pressure - Natural Gas 3.5" W.C.
 Propane Gas 10.5" W.C.

Gas Inlet - 3/8" N.P.T.

SUPPLY	MINIMUM PRESSURE	MAXIMUM PRESSURE
Natural Gas	4.5" W.C.	7.0" W.C.
Propane Gas	11.0" W.C.	11.0" W.C.

GLASS FRONT-REMOVAL AND REPLACEMENT

1. Open bottom grill door by pulling outward at the top of the grill. The grill will hinge outward and downward.
2. Remove the two (2) outside nuts at the bottom of the glass frame and remove the glass frame by pulling the frame outward and downward.
3. Now the glass frame is removed, remove the six (6) nuts holding the glass retainer and carefully remove the glass retainer and glass. CAUTION: Be careful to support the glass to prevent it from breaking.
4. To replace glass front reverse the above procedure. CAUTION: Except for servicing, never operate this appliance with the front glass removed or broken.



LOCATING YOUR COMFORTEC FIREPLACE

(Utilizing side wall venting)

(A) Flat on wall: (B) Cross corner: (C) ** Island: (D) Room Divider; (E) * Flat on wall corner: (F) Cantilever

NOTE: ** Island Installation is possible as long as the horizontal portion of the vent system (X) does not exceed 10 feet. See details on Venting, Page 8.

NOTE: * When you install your fireplace in (D) Room divider or (E) Flat on wall corner positions a minimum of 6 inches clearance must be maintained from the perpendicular wall and the front of the appliance.

The Comfortec fireplace may be installed flat on a combustible floor or raised up on the wall to keep the flame at eye level. Do not install this unit directly on carpets or vinyl flooring.

HEARTH

A hearth is not mandatory but it is recommended for aesthetics and for added safety. We recommended a noncombustible hearth which comes out a minimum of 12 inches in front of this appliance.

MANTELS

Depending on the depth of the fireplace mantel it may be installed higher or lower from the top of the fireplace opening. See drawing below for proper installation height of your combustible mantel piece. Noncombustible mantels may be installed at any height above the fireplace opening.

NOTE: Paint or finish used on the mantel must be heat resistant (250° F) to prevent discoloration.

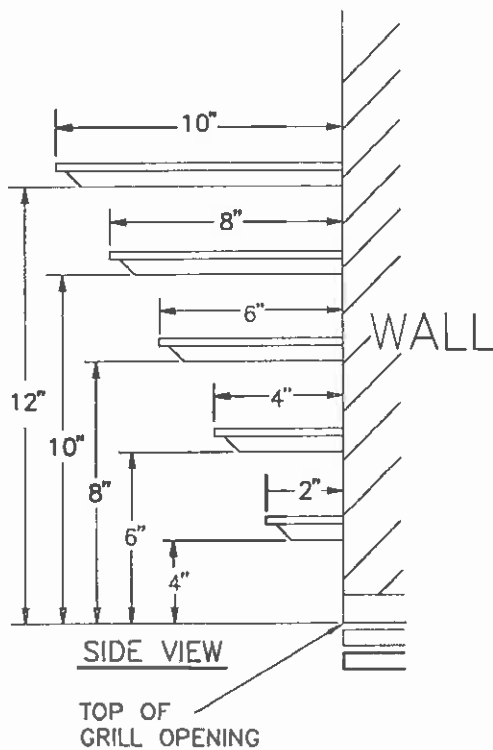
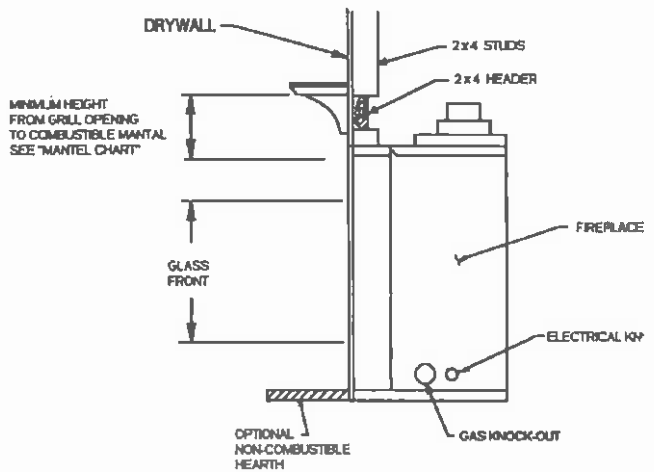
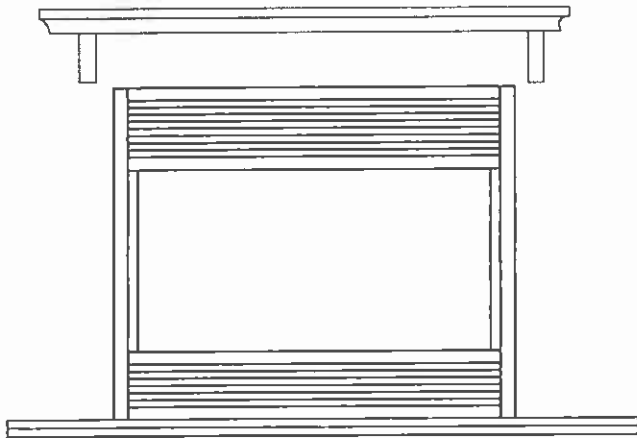
CLEARANCES TO COMBUSTIBLES

Back	0 inches
Sides	0 inches
Floor	0 inches
Top	0 inches From Standoffs

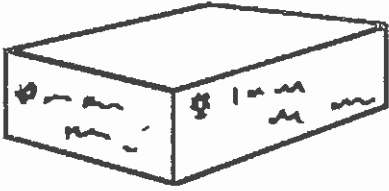

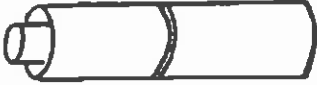


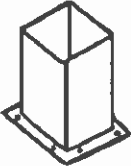



Dry wall can extend flush with appliance on all 4 sides of front face.

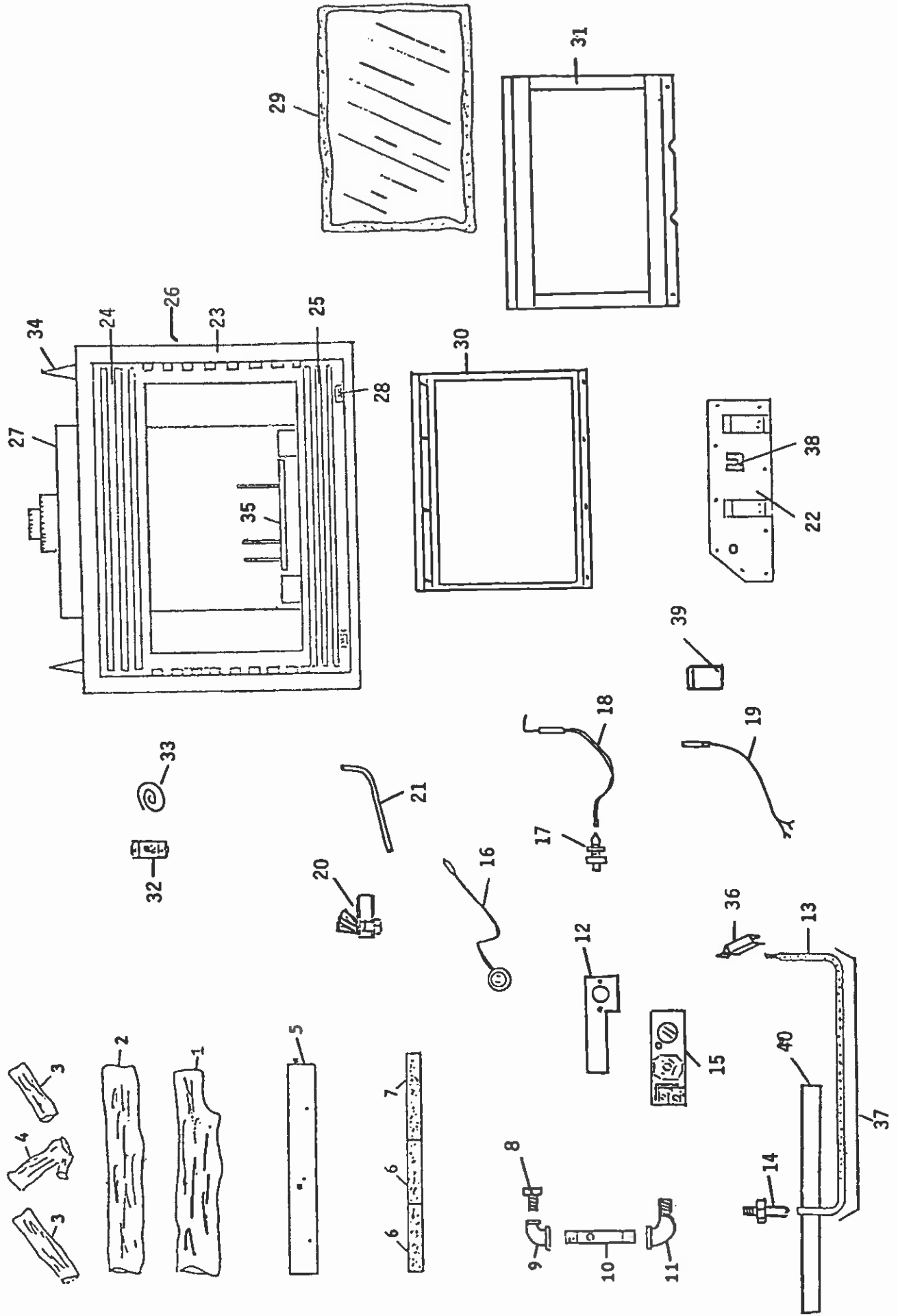
Noncombustible materials such as brick, stone or tile may project in front of and/or on the face of the fireplace but must not block any of the grill openings or fire-chamber opening. If a Brass Trim Kit is going to be installed, brick, stone or tile will have to installed flush with the sides and the top of the fireplace.

When appliance is being installed in a non-insulated wall or in a chase, fiberglass insulation should be installed around body of fireplace.



CDV36 VENTING COMPONENTS

	<p>Starter Kit - Model CDV36DVK Includes</p> <ul style="list-style-type: none"> - 4 inch elbow 90° - 7 inch elbow 90° - 4 inch diameter pipe 20" long - 7 inch diameter pipe 20" long - Inside wall spacer - Vent termination cap - Tube high temp silicon - Pack sheet metal screws
	<p>45° elbow kit - Model C42DV45</p>
	<p>Telescopic vent sections C42DV6-10 - 6" to 10" adjustable length C42DV10-18 - 10" to 18" adjustable length C42DV18-34 - 18" to 34" adjustable length C42DV34-66 - 34" to 66" adjustable length</p>
	<p>Pipe sections for vertical or horizontal venting Model CDVP-36 36" long section</p>
	<p>Firestop Spacer Model CDV-FS</p>
	<p>Attic Insulation Shield Model CDV-AIS</p>
	<p>Vertical Offset Support Model CDV-OS</p>
	<p>Horizontal Pipe Support Model CDV-HS</p>
	<p>Siding Shield ((to protect siding) C42DVSS</p>

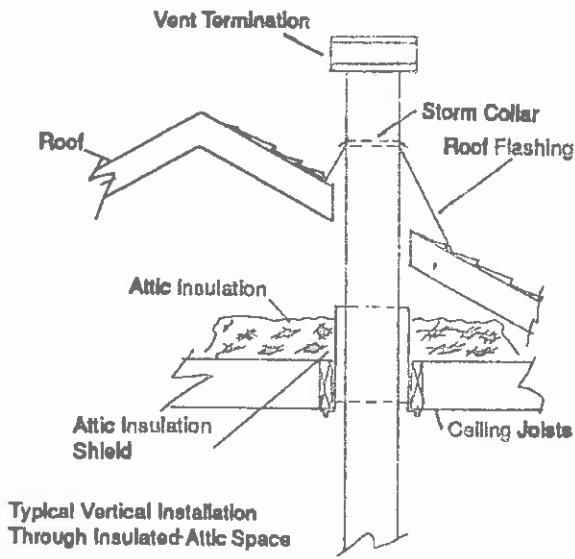


REPAIR PARTS LIST

All repair parts will be available from your local dealer. When ordering, always give the following information: (a) part number, (b) part description and (c) model number.

ITEM	QTY.	PART No.	DESCRIPTION
1	1	GF6018P5	Front Log with Notch
2	1	GF6018P6	Rear Log
3	2	GF6008P3	Left & Right Top Logs
4	1	GF6008P2	Center Top Log with Limb
Not Shown	1	GF1004P4	Log Set – Carton of 5 Logs
Not Shown	1	GF1034	Burner Valve Assembly, Complete – Natural Gas
Not Shown	1	GF1038	Burner Valve Assembly, Complete – Propane Gas
5	1	GF1037	Burner Assembly, Natural Gas, Includes Items 6 & 7
5	1	GF1039	Burner Assembly, Propane Gas, Includes Items 6 & 7
6	2	GF7602P1	Ceramic Tile
7	1	GF7602	Ceramic Tile
8	1	GF7610P7	Main Burner Orifice – Natural Gas
8	1	GF7610P8	Main Burner Orifice – Propane Gas
9	1	OB330X1	Reducing Elbow 90°
10	1	GF3049	3/8" Pipe Nipple x 4" Long – With Tapped Hole
11	1	OB351X1	3/8" Street Elbow 90°
12	1	GF3130	Gas Valve Bracket
13	1	GF7593P1	Front Burner – Natural Gas
13	1	GF7593P2	Front Burner – Propane Gas
14	1	GF7611	Front Burner Orifice – Natural Gas
14	1	GF7611P2	Front Burner Orifice – Propane Gas
15	1	GF7500	Control Valve – Natural Gas
15	1	GF7500P2	Control Valve – Propane Gas
16	1	GF7571	Mercury Flame Switch
17	1	GF7570	Piezo Push Button Ignitor
18	1	GF7590	Ignitor Electrode Assembly
19	1	GF7520	Thermopile 18"
20	1	GF7560	Pilot Assembly – Natural Gas
20	1	GF7560P2	Pilot Assembly – Propane Gas
21	1	OB331X9.5	Pilot Supply Line – 9-1/2" Length
22	1	GF2018W	Burner Base Weldment
23	1	GF2020W	Front Face Weldment
24	1	GF2024W	Top Grill Weldment
25	1	GF2023W	Bottom Grill Door Weldment
26	1	GF3197	Outer Body Wrap
27	1	GF2031W	Cold Air Inlet Box Weldment
28	2	GF8505	Bottom Grill Door Hinge
29	1	GF1021	Ceramic Glass Window & Seal Assembly
30	1	GF2073W	Glass Retainer Weldment
31	1	GF2022W	Glass Frame Weldment
32	1	OB345X1	Remote Wall Switch (Toggle)
33	1	OB333X180	Remote Switch Wire–15 Ft. Length
34	2	GF3143	Stand-Off Spacer
35	1	GF3123	Rear Log Support Bracket
36	1	GF3196	Front Burner Guard
37	1	GF3048	Front Burner Shield
38	1	GF3129	Pilot Tube Seal
39	1	GF1081	Bag of Glowing Ember Material
40	1	GF3367	Ember Channel
Not Shown	1	OB260X11	Venting Sealant, 600° Silicone – 11 Ounce Tube

NOTE: When Ordering Gas Control, Orifices or Burners always specify Natural or Propane Gas.

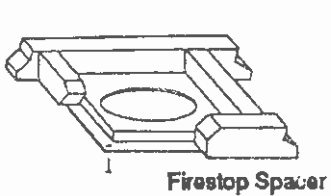


Typical Vertical Installation Through Insulated Attic Space

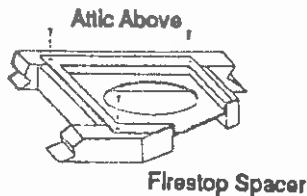
INSTALLATION:

1. Locate your fireplace.
2. Plumb to center of the flue collar from ceiling above and mark position.
3. Cut opening equal to 9¼" x 9¼".
4. Proceed to plumb for additional openings through the roof. In all cases, the opening must provide a minimum of 1 inch clearance to the vent pipe, i.e., the hole must be at least 9¼" x 9¼".
5. Place fireplace into position and secure to floor.
6. Place firestop(s) into position and secure.

NOTE: If there is a room above the ceiling level, firestop spacer must be installed on the bottom side of ceiling. If attic is above ceiling level, firestop must be installed on top side of ceiling joist.



Firestop Spacer

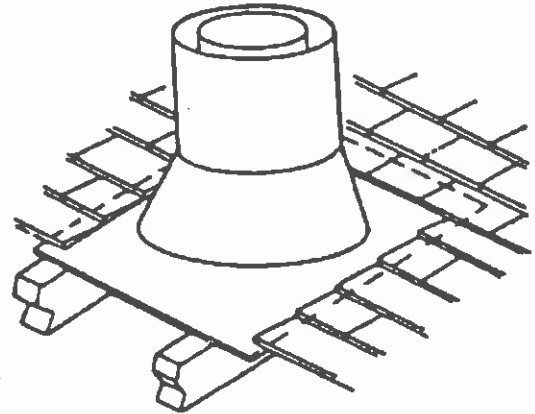


Firestop Spacer

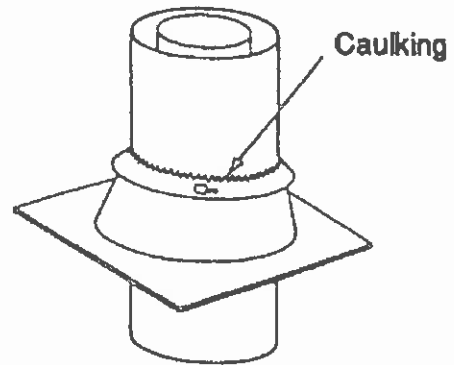
7. Install appropriate chimney sections until just above the roof line. See section on joints, page 10

NOTE: The enlarged ends of the vent section always face downward.

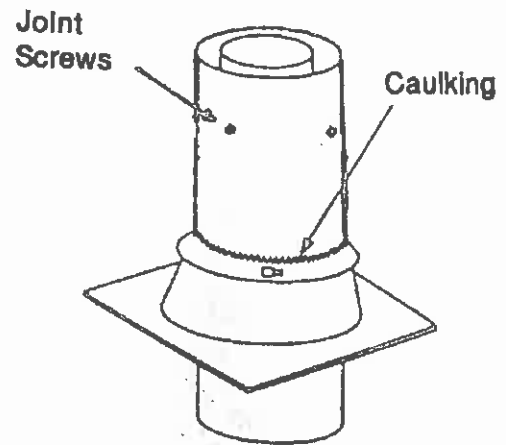
8. Install roof support and roof flashing making sure upper flange of flashing is below the shingles.



9. Install storm collar and caulk around the pipe.



10. Add additional vent lengths for proper height.



11. Install vent termination.

NOTE: If the installation requires an offset, the upper 45 degree elbow must be properly secured with an offset support.

VERTICAL THROUGH THE ROOF INSTALLATIONS

Your Model CDV36 fireplace has been approved for;

- Vertical installation up to 35 feet in height and
- Two sets of 45 degree elbows offset within these vertical installations.

GENERAL INFORMATION

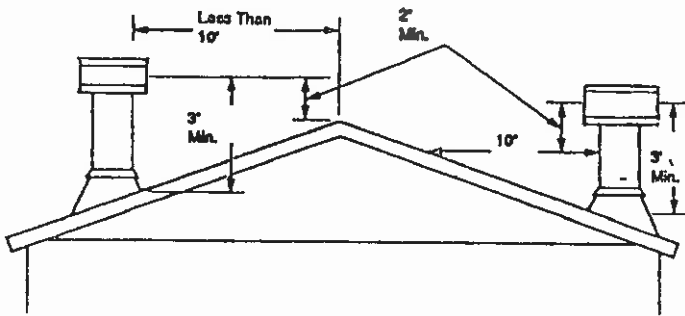
Minimum clearance to combustibles materials is 1 inch. Only approved venting components can be used. See page 16 for list.

The minimum height of the vent above the highest point of the roof is 2 feet.

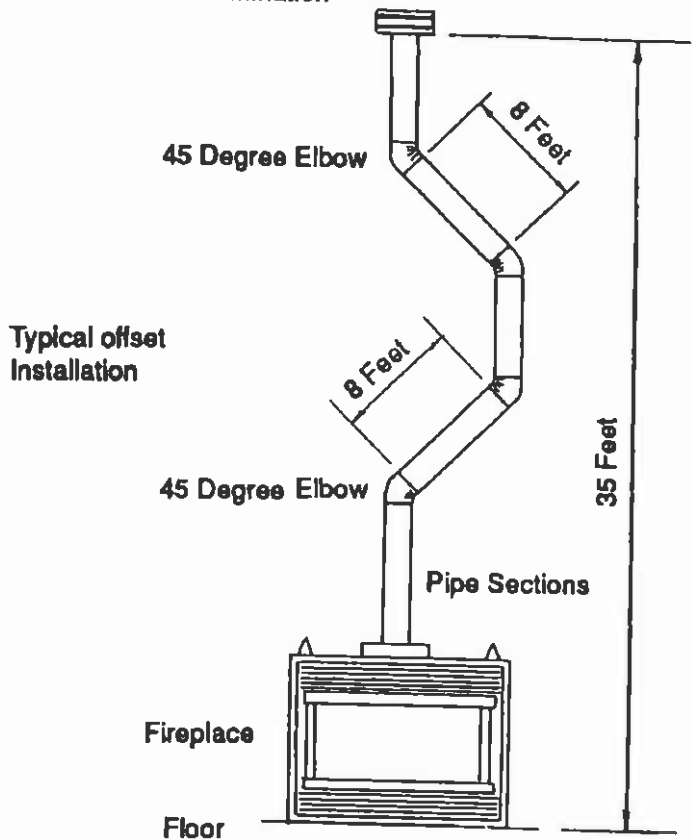
Explanations:

If the horizontal distance from the peak of the roof is less than 10 feet, the top of the chimney must be at least 2 feet above the peak of the roof.

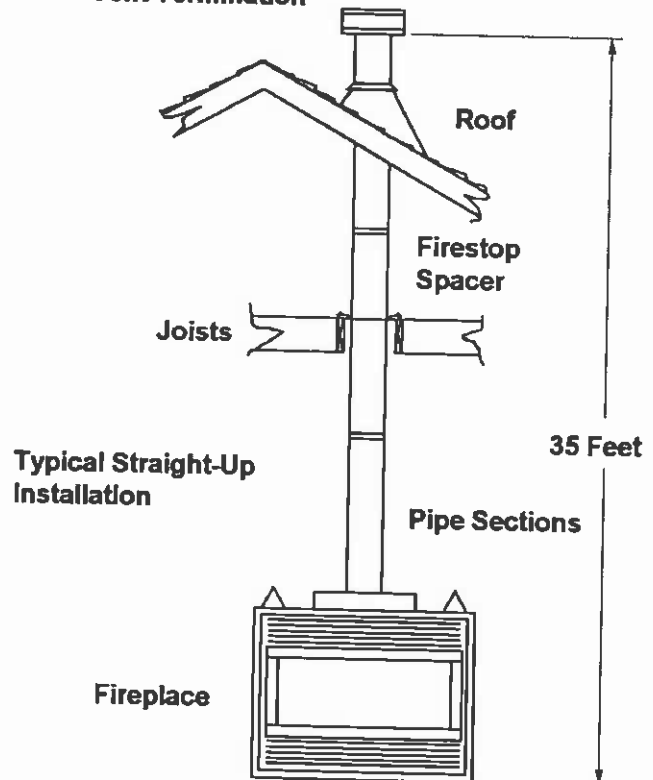
If the horizontal distance from the chimney edge to the peak of the roof is more than 10 feet a chimney height reference point is established on the roof edge. The top of the chimney must be at least 2 feet above this reference point. In all cases, the chimney cannot be less than 3 feet above the roof at the edge of the chimney.



Vent Termination



Vent Termination



STEP 9

Support horizontal pipes every 3 feet with metal pipe straps.

STEP 10

Recheck fireplace to make sure it is levelled and properly positioned, and nailed or screwed to the floor.

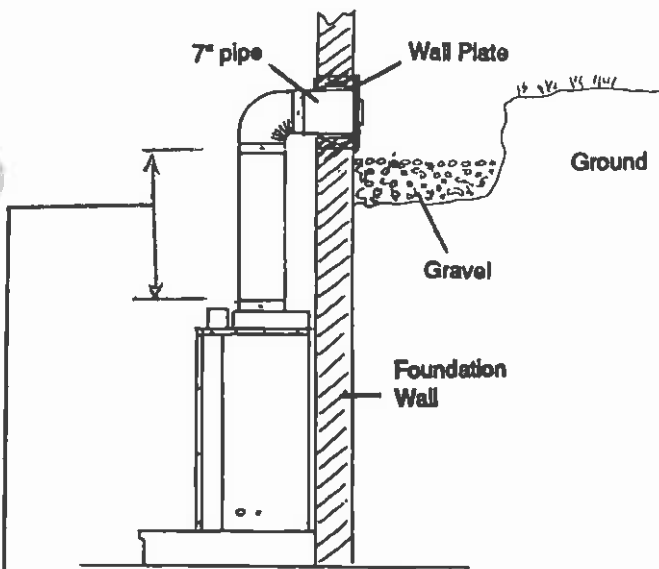
BELOW GROUND INSTALLATIONS

When it is not possible to meet the required vent terminal clearances of 12 inches above grade level a model #CDVSKS vent kit is recommended. It allows installation depth of down to 7 inches below grade level. The 7 inches is measured from the center of the horizontal vent pipe as it penetrates through the wall.

INSTALLATION

Make sure sidewall venting clearances are observed, as shown on page 6.

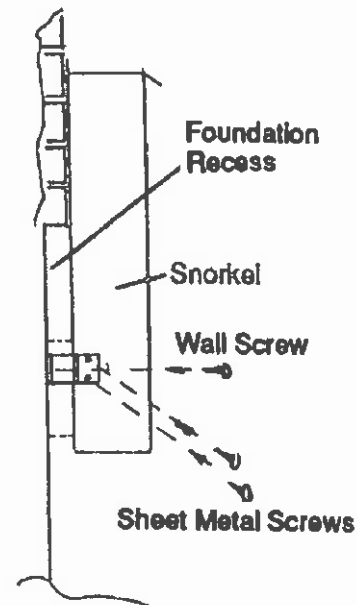
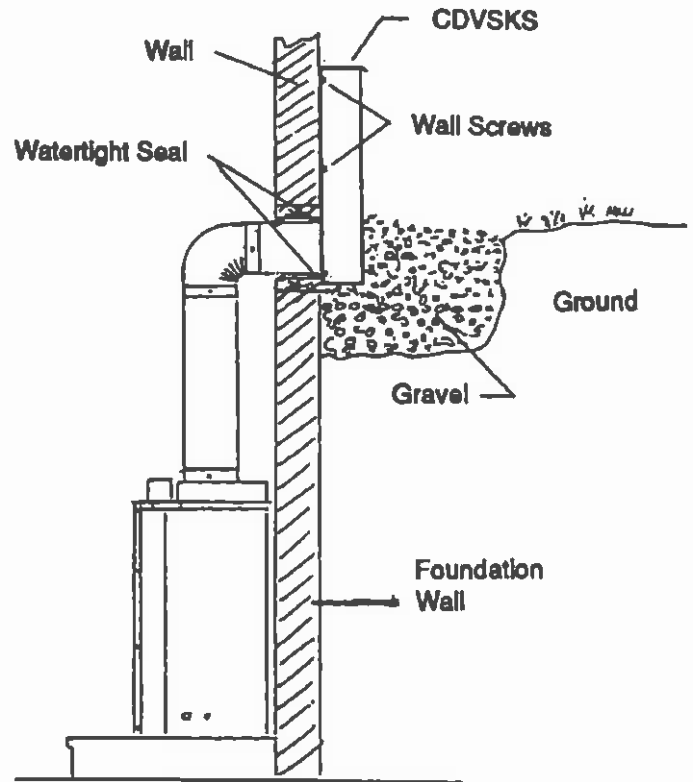
1. Establish vent hole through the wall. See page 9.
2. Remove soil approximately 12 inches deeper than required, and refill with gravel so as to provide proper drainage.
3. Install vent system. See page 9 and 10.
4. Install exterior aluminum wall plate and caulk to provide a watertight seal.



A MINIMUM OF 24" VERTICAL PIPE MUST BE INSTALLED WHEN USING THE CDVSKS KIT.

NOTE: 36" is the maximum horizontal run with the 24" minimum allowable vertical pipe. See vent graph on page 8 for extended horizontal run if the vertical pipe exceeds 24".

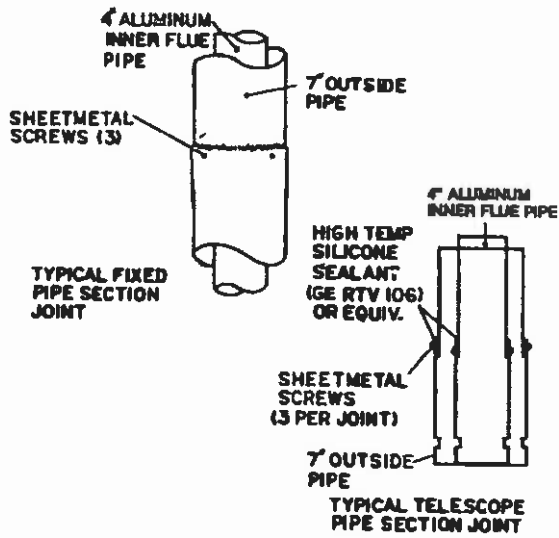
5. Apply high temperature silicone caulking (supplied) around the 7 inch CDVSKS collar.
6. Slide into vent pipe and secure to the wall.
7. Refill around CDVSKS with gravel or if possible, smooth out the soil so as to keep the vent system totally exposed.



If the foundation is recessed, use recess brackets for securing lower portion of the snorkel. Fasten brackets to wall first and then secure to snorkel with self drilling #8 x 1/2 sheet metal screws.

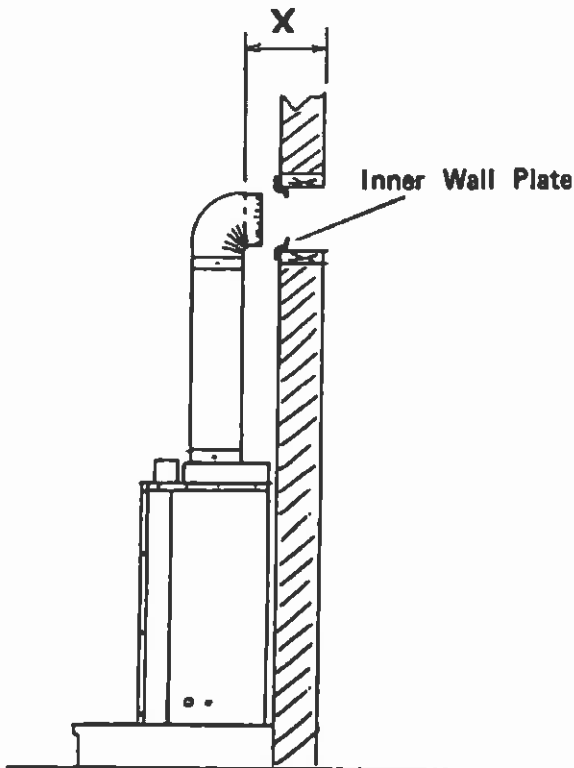
STEP 5

Use appropriate length of pipe section - telescopic or fixed - and attach to fireplace. Secure joints with three sheet metal screws. (see diagram)



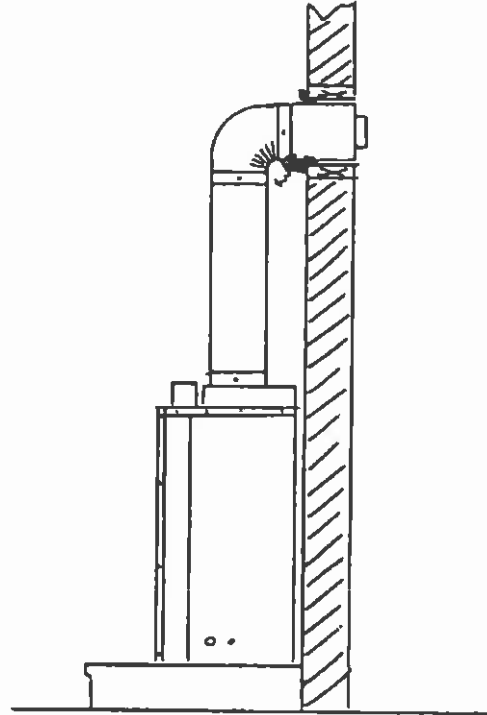
STEP 6

Measure the horizontal length requirement, i.e., from the elbow to the outside finish wall.



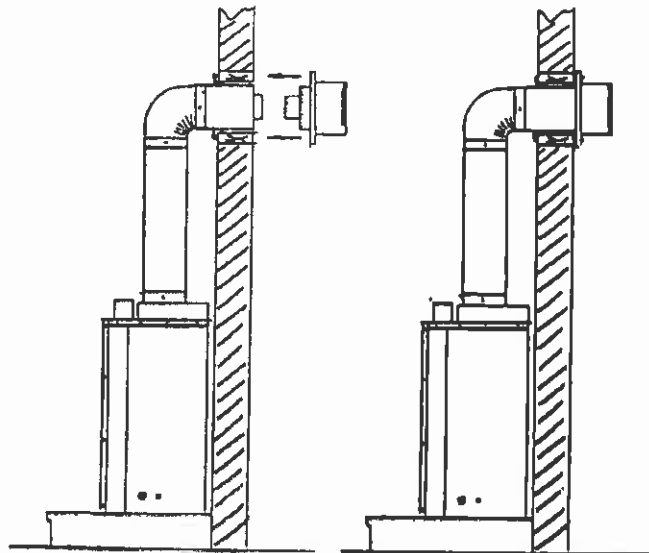
STEP 7

Use appropriate length of pipe sections - telescopic or fixed - and install. The sections which go through the wall are packed with the CDV36DVK kit, and can be cut to suit if necessary.



STEP 8

Mount vent termination, proper side up - note label on deflector plate - and seal to the wall. Use caulking around the wall plate to weatherproof. After having installed the vent termination, double check to make sure the pipe extends properly into the vent termination.



HOW TO USE THE VENT GRAPH

1. Determine the height of the center of the vent termination 7" elbow and mark a horizontal line until it intersects with the slanted graph line.
2. From the point of this intersection, draw a vertical line to the bottom of the graph.
3. Select the indicated dimension, and position the fireplace in accordance with same.

EXAMPLE A: If the vertical dimension from the floor of the fireplace is 21 feet, The horizontal run to the wall flange of vent termination must not exceed 6.5 feet.

EXAMPLE B: If vertical dimension from the floor of the fireplace is 7 feet, the horizontal run to the wall flange of the vent termination must not exceed 8.5 feet.

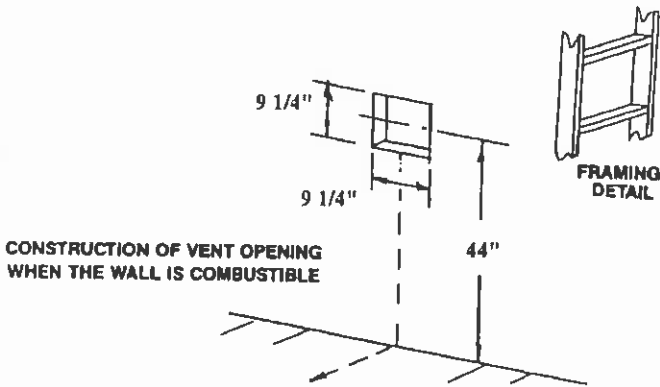
INSTALLATION

The final location of the fireplace must be such that the horizontal vent dimensions fall within those stated on the venting graph.

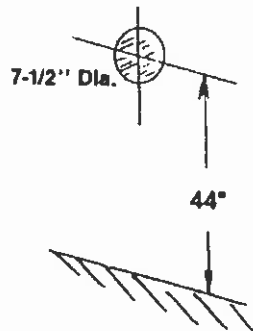
IMPORTANT: MINIMUM CLEARANCE BETWEEN VENT PIPES AND COMBUSTIBLE MATERIALS IS ONE (1) INCH.

STEP 1

Locate vent opening on the wall.



OPENING WHEN THE WALL IS NON-COMBUSTIBLE



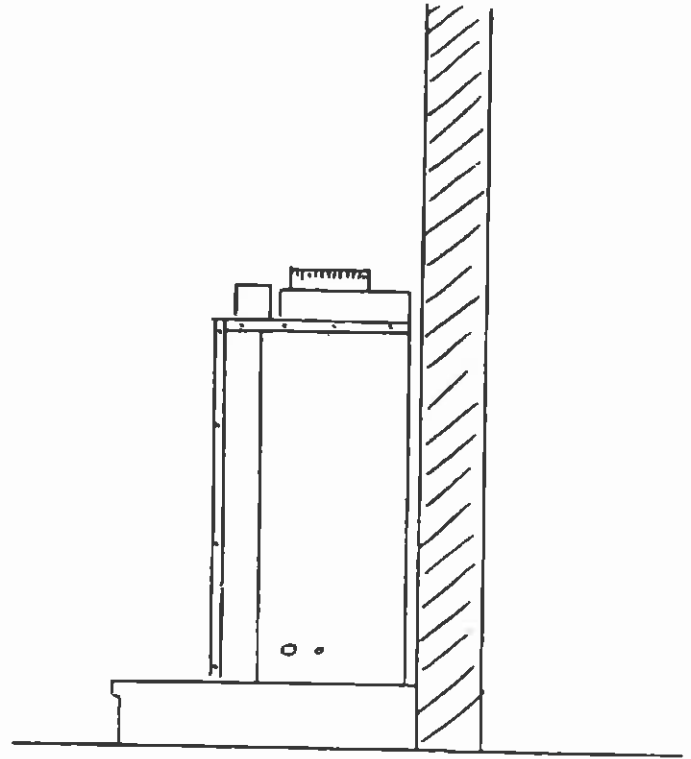
STEP 2

COMBUSTIBLE WALLS: Cut a 9 1/4" x 9 1/4" hole through the exterior wall and frame as shown.

NONCOMBUSTIBLE WALLS: Hole opening must be 7 1/2" in diameter at 44" center from floor the fireplace sits on.

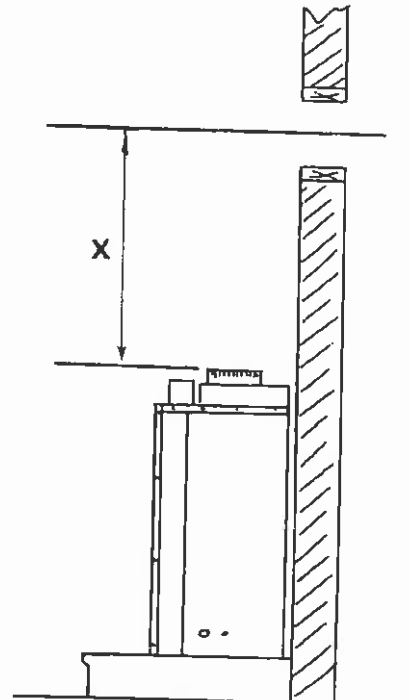
STEP 3

Place fireplace into position.



STEP 4

Measure height from fire place vent outlet to center of wall opening.



INFORMATION ON VARIOUS VENTING ROUTES AND COMPONENTS

Since it is very important that the vent system maintain its balance between the combustion air intake and the flue gas exhaust, certain limitations as to vent configurations apply and must be strictly adhered to.

The graph showing the relationship between vertical and horizontal side wall venting will help to determine the various vent lengths.

The maximum horizontal vent run with the 90 degree elbow attached to the fireplace flue outlet is 3 feet. (See Figure 1)

The maximum horizontal vent run is 10 feet when the vertical rise is 8 feet. (See Figure 2)

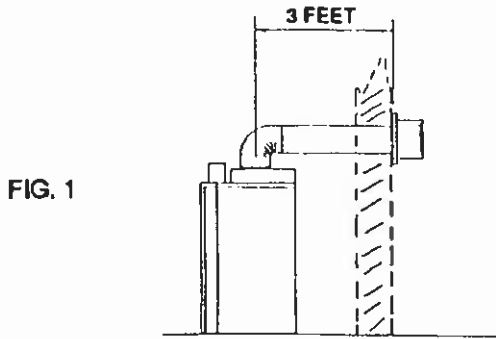


FIG. 1

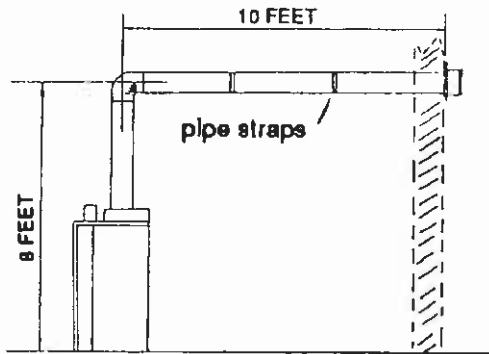


FIG. 2

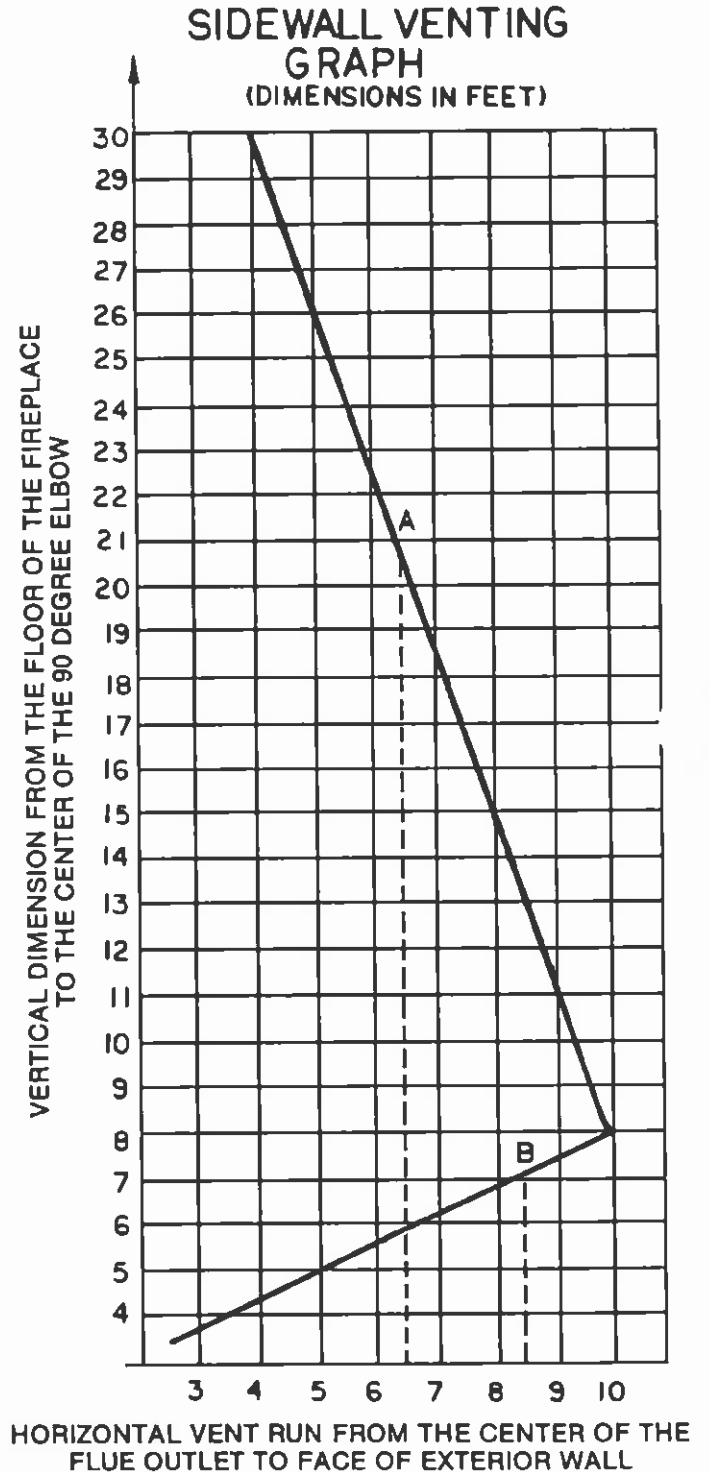
The maximum number of 90 degree elbows per side wall installation is one (1).

The Maximum Number of 45 degree elbows per side wall installation is two (2). These elbows can be installed in either horizontal or vertical run.

Special Note: For each 45 degree elbow installed in the horizontal run, the length of horizontal run must be reduced by 18". This does not apply if the 45 degree elbows are installed on the vertical part of the vent system.

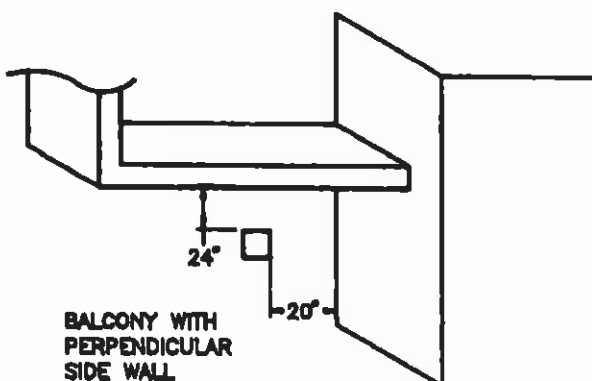
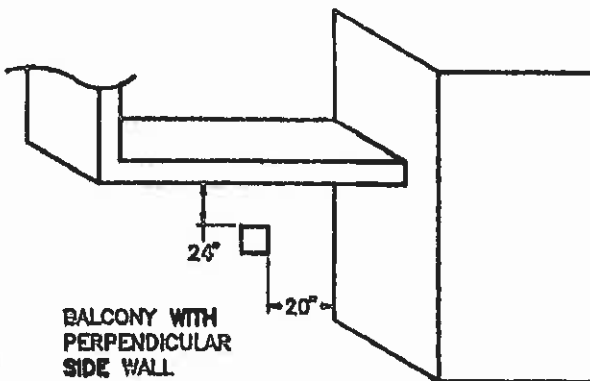
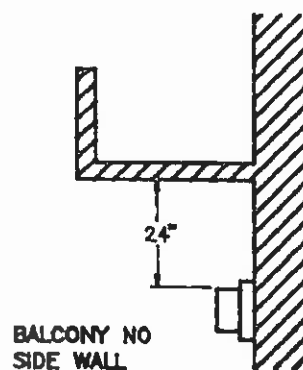
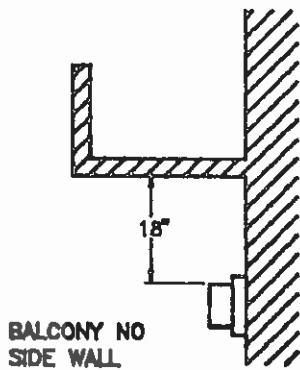
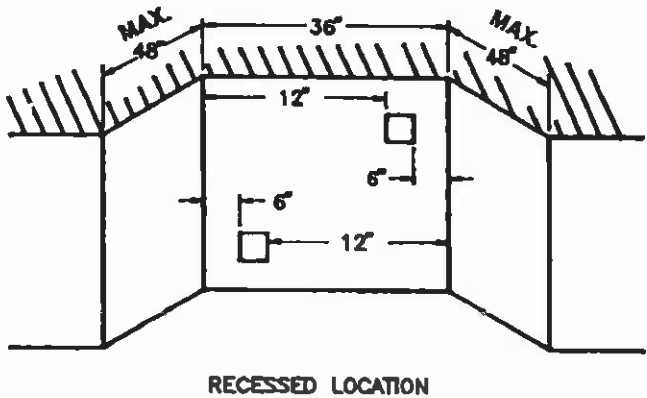
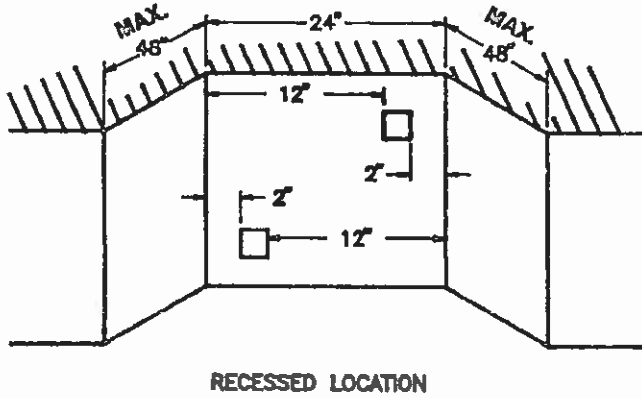
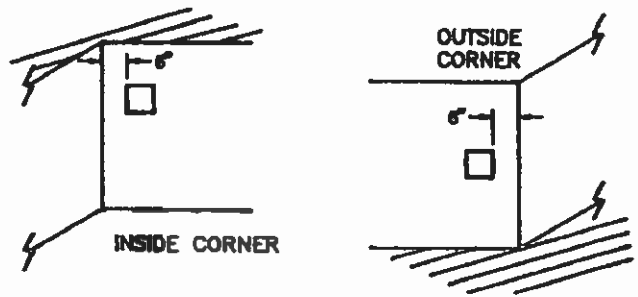
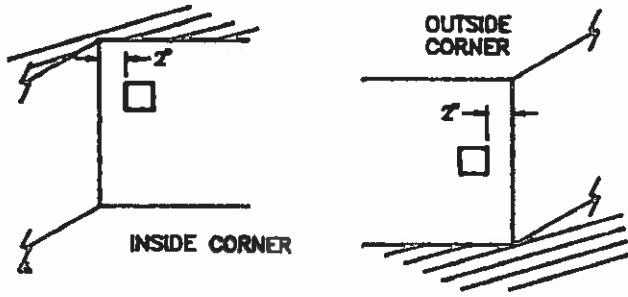
EXAMPLE: If according to the chart, the length of the horizontal run is 10 feet, and two 45 degree elbows are required, the horizontal run length must be reduced to 7 feet.

IMPORTANT: It is always best to locate the fireplace in such a way that a minimum of offsets and/or horizontal run is required.



If the exterior of the building is noncombustible the following minimum clearances are applicable:

If the exterior of the building is combustible the following minimum clearances are applicable:



INSTALLATION

1. Open bottom louver door.
2. Slid fan assembly into opening, line up the mounting holes with the screw studs protruding from the floor panel and secure with the (2) nuts provided.
3. Install electrical wiring. It is recommended that the fan speed control switch be mounted in a wall receptacle box near the fireplace for convenient operation.

OTE: When installing this fan kit in an operating fireplace, it will be necessary to remove the gas supply line to fit fan assembly in place. Check for leaks after replacing the gas supply line as outlined in this manual.

NOTE: Electrical wiring and installation must conform to all applicable codes and ordinances and must be done by a qualified electrician.

CAUTION: Electrical power supply must be disconnected prior to servicing of this fan.

VENTING INSTRUCTIONS

The Model CDV36 fireplace is approved to be vented either through the side wall, or vertically through the roof.

Only venting components specifically approved and labelled for this fireplace may be used.

Minimum clearance between vent pipes and combustible materials is one (1) inch.

IT IS UTMOST IMPORTANCE THAT ALL JOINTS BE AIRTIGHT.

THE INSTALLATION OF THIS APPLIANCE MUST CONFORM WITH LOCAL CODES, OR IN THE ABSENCE OF LOCAL CODES, WITH THE LATEST EDITION OF THE NATIONAL FUEL GAS CODE, ANSI 223.1.

SIDE WALL VENTING

Location of vent termination

It is imperative that the vent termination be located observing the minimum clearances as shown on this page. There must not be any obstruction such as bushes, garden sheds, fences, decks or utility buildings within 24" from the front of the termination hood.

Do not locate termination hood where excessive snow or ice buildup may occur. Be sure to check vent termination area after snow falls, and clear to prevent accidental blockage of venting system. When using snow blowers, make sure snow is not directed towards vent termination area.

SIDING SHIELD (Part Number C42DVSS)

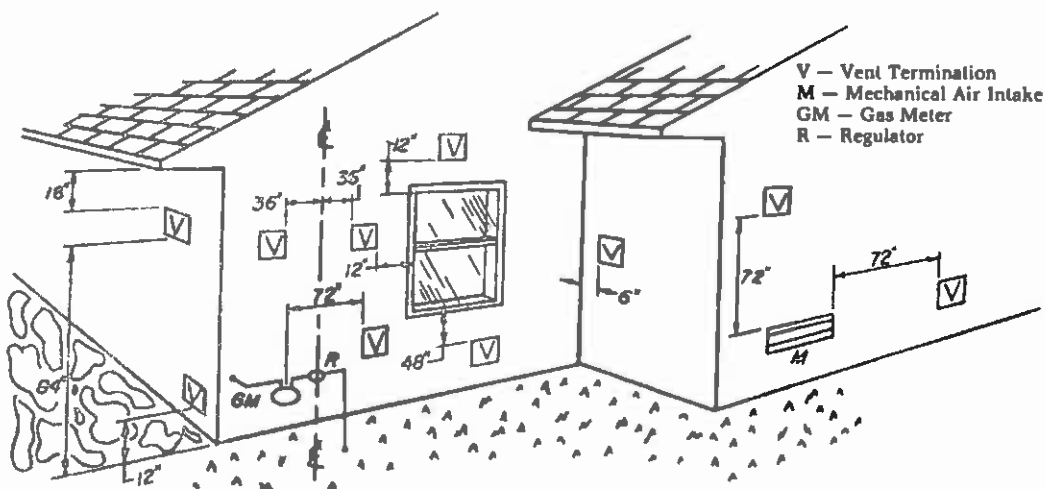
The Direct Vent Siding Shield (C42DVSS) must be used whenever the exterior wall has vinyl siding directly above the vent termination cap. The shield will protect the area directly above the termination from exposure to heat exiting from the flue pipe.

The vent termination must not be located:

1. Less than 7 feet above a paved sidewalk or paved driveway located on public property;
2. Within 6 feet of a mechanical air supply inlet to any building;
3. Above a meter/regulator assembly within 3 feet horizontally of the vertical center-line of the regulator;
4. Within 6 feet of any gas service regulator vent outlet;
5. Less than 1 foot above grade level; (See section on below ground installation for special venting.)
6. Within the following distance of a window or a door which can be opened, any non-mechanical air supply inlet or the combustion air inlet of another appliance;
 - a. 12 inches top and sides;
 - b. 4 feet below;
7. Underneath a veranda, porch or deck where,
 - a. the veranda, porch or deck is not fully open on a minimum two sides beneath the floor; and
 - b. the distance between the top of the vent termination and the under side of the veranda, porch or deck is less than 4 feet.

MINIMUM VENT TERMINATION CLEARANCES

From combustible's exterior surfaces, gas meters, air intakes, etc..



OPERATING AND MAINTENANCE

INSTRUCTIONS

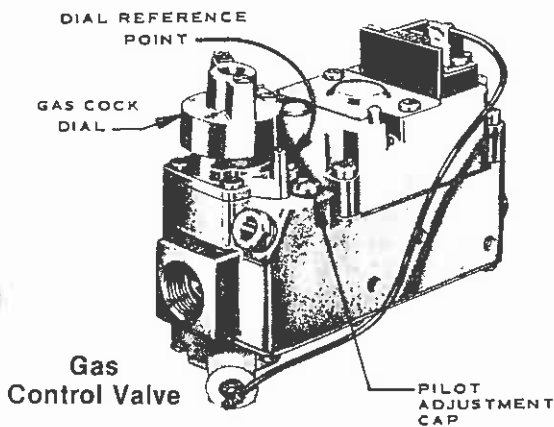
WARNING: WHEN PURGING THE GAS LINE, THE GLASS FRONT MUST BE REMOVED.

INSTRUCTIONS

LIGHTING PROCEDURE

1. Depress and turn gas valve knob to "off". Wait sufficient time to allow gas which may have accumulated in the burner compartment to escape. (At least 60 minutes.)
2. Depress valve knob and turn to "pilot".
3. Depress and hold valve knob while pushing Piezo-electric spark lighter (red button). Hold valve knob depressed until pilot remains lit when knob is released (approximately one minute).
4. Turn valve knob to "on".
5. If unit fails to start, repeat steps one through four.

NOTE: If unit is equipped with remote "on-off" wall switch, main burner will not ignite if wall switch off.



NOTE: The gas control is designed to be either fully on or off. Never use control to vary flame height, etc.

NOTE: It is normal for the new fireplace to give off some odor the first time it is burned. This is due to the curing of the paint and any undetected oil from the manufacturing process.

Please ensure that your room is well ventilated - open all windows.

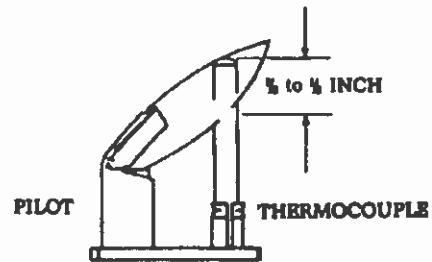
It is recommended that you burn your new fireplace for at least four (4) hours the first time you use it **WITHOUT THE FAN ON.**

SHUT DOWN PROCEDURE

1. To turn off Main Burner only, turn Valve Knob to "PILOT" position.
2. For complete shut down, Slightly depress Valve Knob, Turn to "OFF" position.
3. The CDV36 Burner Assembly has been engineered and permanently adjusted for proper flame control. **DO NOT ALTER GAS ORIFICE.**
4. Periodic visual checks of the Pilot Flame should be conducted to ensure that the flame is continuously present except when the Valve Knob is in the "OFF" position.

PILOT BURNER ADJUSTMENT

1. Remove Pilot Adjustment Cap.
2. Adjust pilot key to provide properly sized flame.
3. Replace Pilot Adjustment Cap.
4. Leak Test.



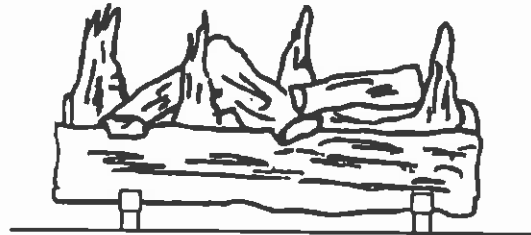
MAINTENANCE

It is important to keep burner and the burner compartment clean. This must be done periodically, at least once per season.

STEPS FOR CLEANING PROCEDURE

1. Turn off pilot.
2. Remove glass front.
3. Remove logs.
4. Vacuum burner compartment, especially around the orifice opening.
5. Re-install logs.
6. Re-install glass front.
7. Ignite pilot - see Operating Section of the Manual.
8. Operate the burner and visually check to make sure the flame pattern appears similar to the pictorial illustration shown below.

NOTE: It is important to periodically perform a visual check of the pilot and the burner flame and to compare them with the pictorial illustration shown below.



GLASS CLEANING

It will be necessary to clean the glass periodically. During start-up, condensation forms on the inside of the glass and causes dust, lint etc. to cling to the glass surface. This is normal. Also initial paint curing can deposit a slight film on the glass.

NOTE: Do not use abrasives or abrasive type cleaners which can harm the glass surface.

INSTALLATION INSTRUCTIONS FOR OPTIONAL MODEL C42FK FAN KIT

Kit Includes:

- 1 - Fan Assembly
- 1 - Speed Control Switch
- 1 - Hardware Pack

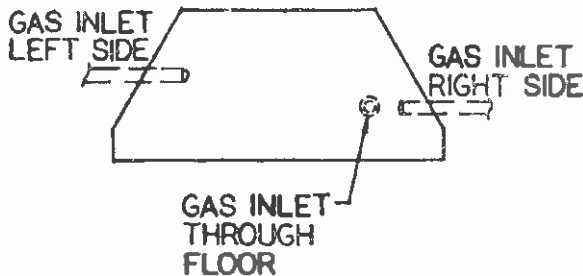
The appliance, when installed, must be electrically grounded in accordance with local codes or, in the absence of local codes, with the latest edition of the National Electrical Code, ANSI/NFPA70.

GAS SUPPLY LINE INSTALLATION

The installation must conform with local codes or, in the absence of local codes, with the latest edition of the national Fuel Gas Code, ANSI 223.1

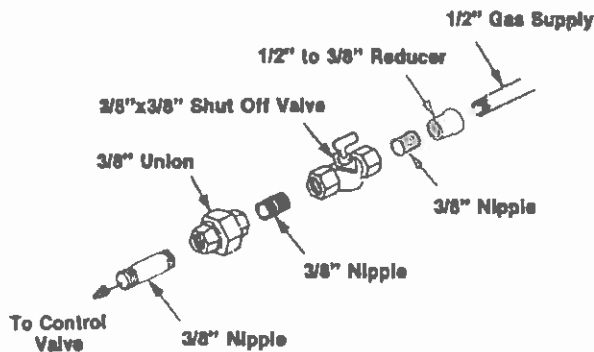
NOTE: If you plan to install the optional C42FK fan kit, it is recommended that it be installed prior to final gas pipe connection. If this option is added at a later date, the gas line must be temporarily removed to locate and install this option.

- Knockouts are provided to allow the gas supply line to be brought into either the left or right side or floor of the fireplace. (It is recommended that the line be brought into the right side.)



- A length of flexible gas line may be used in the fire box only if local codes approve.
- An accessible manual shut-off valve is required in the gas supply line. A ground joint union is required in the gas supply line to provide for burner removal or servicing.
- When a vertical section of piping is required for installation, a condensation trap is needed.
- For natural gas, a minimum of 3/8" iron pipe with a minimum gas pressure of 4.5" W.C. must be used for supply from meter. Consult with the local gas utility if any question arises concerning pipe size.
- A 1/8" N.P.T. plugged tapping, accessible for test gauges connection, must be installed immediately upstream of the gas supply connection to the appliance.
- Make gas connection to appliance with pipe or listed flexible connection.
- Turn gas supply on and check for leaks (**DO NOT USE AN OPEN FLAME**). Use a soap and water solution.

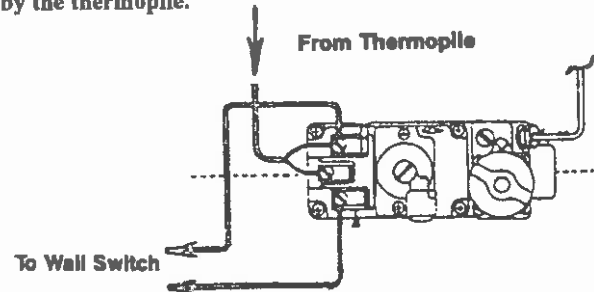
NOTE: The appliance and its individual shutoff valve must be disconnected from the gas supply piping system during any pressure testing of that system at test pressure in excess of 1/2 psig. The appliance must be isolated from the gas supply piping system by closing its individual manual shutoff valve during any pressure testing of the gas supply piping system at test pressures equal to or less than 1/2 psig.



TYPICAL LAYOUT
FOR RIGID PIPE INSTALLATION

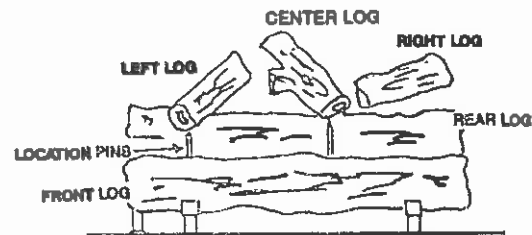
INSTALLATION OF MILLIVOLT REMOVE WALL SWITCH FOR AUTOMATIC GAS VALVE

- Thread wire through gas inlet opening. Be sure not to cut wire. Lead same to a conveniently located wall receptacle box. For best long term results, switch must not more than 10 feet from fireplace.
- Attach wire to switch, install switch in receptacle box and mount switch cover plate.
- Connect wires to gas valve. One wire to the top terminal and one wire to the bottom terminal. **CAUTION:** Do not wire millivolt remote wall switch or gas valve to a 110 volt power supply. Electrical current used to operate this appliance is generated by the thermopile.



INSTALLATION OF LOGS

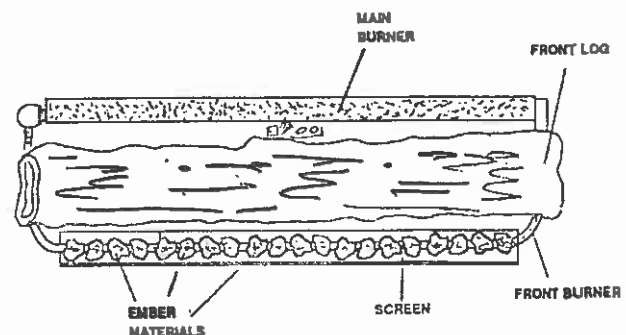
- Remove the five (5) logs from the carton.
- Place the rear log onto the three (3) pins behind the main burner. (The rear log has three (3) pre-punched holes.)
- Place the front log onto the two (2) pins in front of the main burner. (The front log has two (2) pre-punched holes.) The notch in this log is on the right.
- Place the upper three (3) logs. Start with the left log first, then the center log (the log with the branch) and then the right log.
- With the logs in position light the burner and observe the flame pattern. Flames must not impinge on (touch) logs.
- Now re-install the glass, glass retainer and frame.



GLOWING EMBERS

EMBER MATERIAL PLACEMENT

Separate ember material (contained in the small plastic bag) into small pieces, roughly 1/2" in diameter, and place onto front burner as shown below. Do not pack down. Leave in fluffy, loose condition for the most realistic ember effects. Do Not place ember materials on main burner.

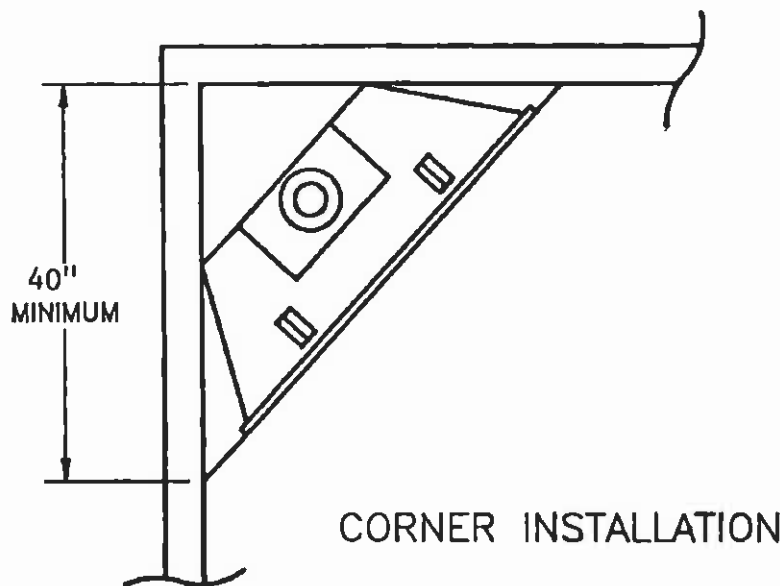
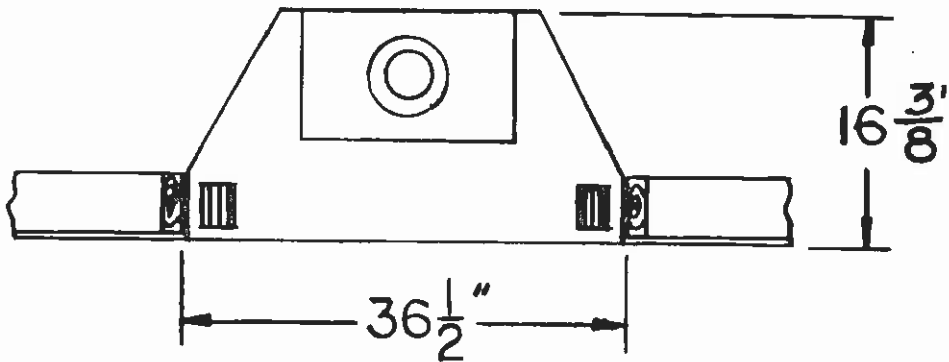
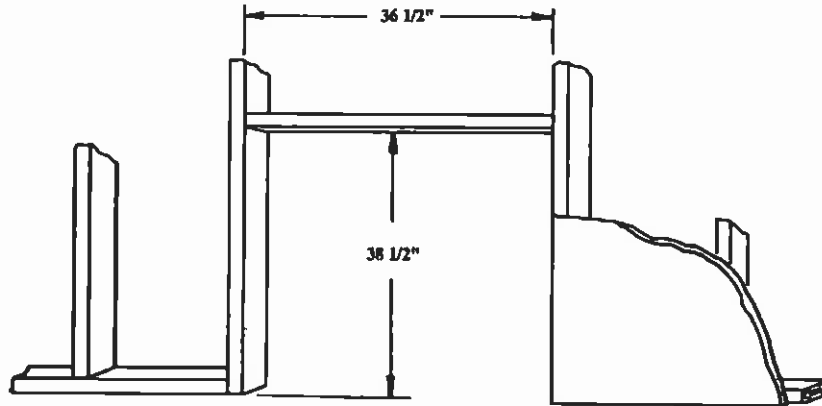


TOP VIEW

FRAMING AND FINISHING

1. Choose fireplace location and frame to provide a $36\frac{1}{2}$ " wide x $38\frac{1}{2}$ " high opening.
2. Secure fireplace to floor by installing screws through the two slots provided in the base of the unit.

3. Cold climate installation recommendations: When installing this fireplace against a non-insulated exterior wall or chase, it is recommended that the outer walls be insulated to conform to applicable insulation codes.



The Comfortec fireplace may be installed flat on a combustible floor or raised up on the wall to keep the flame at eye level. Do not install this unit directly on carpets or vinyl flooring.

HEARTH

A hearth is not mandatory but it is recommended for aesthetics and for added safety. We recommend a noncombustible hearth which comes out a minimum of 12 inches in front of this appliance.

MANTELS

Depending on the depth of the fireplace mantel it may be installed higher or lower from the top of the fireplace opening. See drawing below for proper installation height of your combustible mantel piece. Noncombustible mantels may be installed at any height above the fireplace opening.

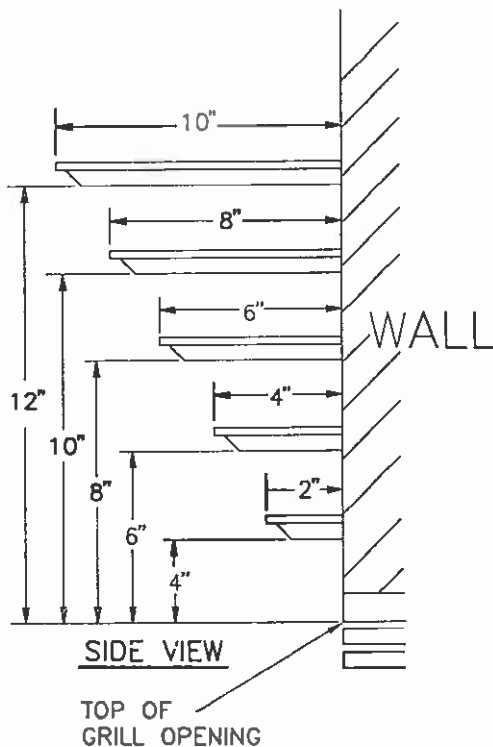
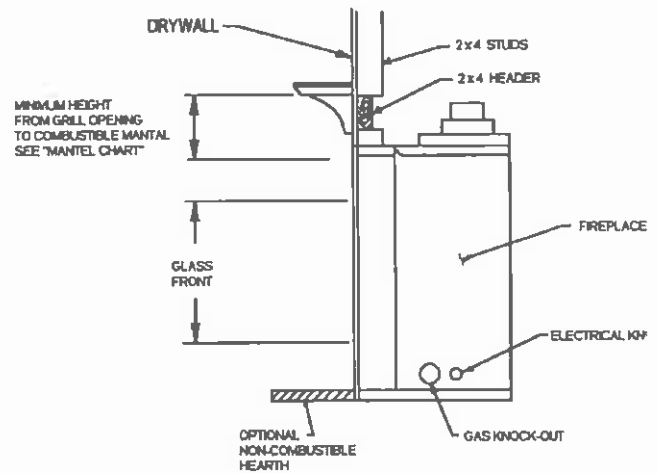
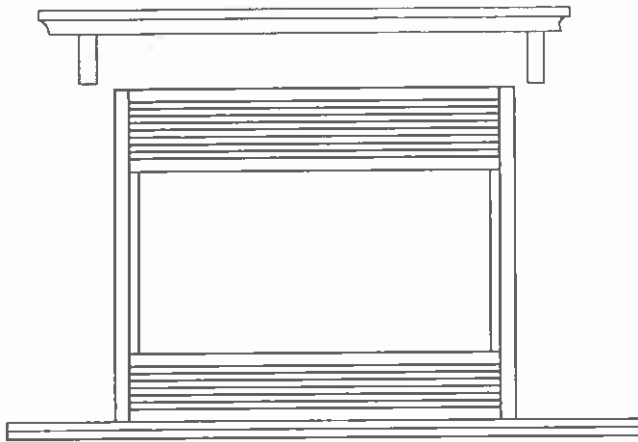
NOTE: Paint or finish used on the mantel must be heat resistant (250° F) to prevent discoloration.

CLEARANCES TO COMBUSTIBLES

- Back 0 inches
 - Sides 0 inches
 - Floor 0 inches
 - Top 0 inches From Standoffs
- Dry wall can extend flush with appliance on all 4 sides of front face.

Noncombustible materials such as brick, stone or tile may project in front of and/or on the face of the fireplace but must not block any of the grill openings or fire-chamber opening. If a Brass Trim Kit is going to be installed, brick, stone or tile will have to installed flush with the sides and the top of the fireplace.

When appliance is being installed in a non-insulated wall or in a chase, fiberglass insulation should be installed around body of fireplace.



INSTALLATION AND OPERATING INSTRUCTIONS

Warning: Improper installation, adjustment, alteration, service or maintenance may void warranty and cause injury or property damage. Refer to this manual.

For assistance or additional information consult a qualified installer, service agency or the gas supplier.

FOR SAFE INSTALLATION AND OPERATION OF YOUR COMFORTEC FIREPLACE PLEASE NOT THE FOLLOWING:

1. This appliance should only be installed by a qualified installer. Installation must conform with the local codes, or in the absence of local codes, with the latest edition of the National Fuel Gas Code, ANSI 223.1
2. This appliance gives off high temperatures and should be located out of heavy traffic areas and away from furniture and draperies.
3. Children and adults should be alerted to the hazards of the high surface temperatures of this appliance and should stay away to avoid burns or ignition of clothing.
4. Children should be carefully supervised when they are in the same room as your fireplace appliance.
5. Under no circumstances should this appliance be modified. Parts that have to be removed for servicing should be replaced prior to operating this appliance again.
6. Installation and any repairs to this appliance should be done by a qualified service person. A professional service person should be called to inspect this appliance annually. Make it a practice to have all of your gas appliances checked annually.
7. Control compartments, burners and air passages in this appliance should be kept clean and free of dust and lint. Make sure that the gas valve and pilot light are turned off before you attempt to clean this unit.
8. The venting system (chimney) of this appliance should be inspected at least once a year and if needed, your venting system should be cleaned.
9. Never connect a gas appliance to a chimney flue serving a separate solid-fuel burning appliance.
10. Keep the area around your appliance clear of combustible materials, gasoline and other flammable vapors and liquids. This appliance should not be used as a drying rack for clothing, nor should Christmas stockings or decoration be hung in the area of it.
11. Do not operate this appliance without glass in place. Replace glass only with "CERAMIC" glass with the original thickness and size (available from your Comfortec dealer).
12. Under no circumstances should any solid fuels (wood, paper, cardboard, coal) be used in this appliance.
13. Do not use this heater if any part has been underwater. Immediately call a qualified service technician to inspect the heater and to replace any part of the control system and any gas control which has been underwater.

GAS SPECIFICATIONS

Model	Fuel	Maximum Input
CDV36RN	NATURAL GAS	26,000 BTU/HR
CDV36RP	PROPANE GAS	18,500 BTU/HR

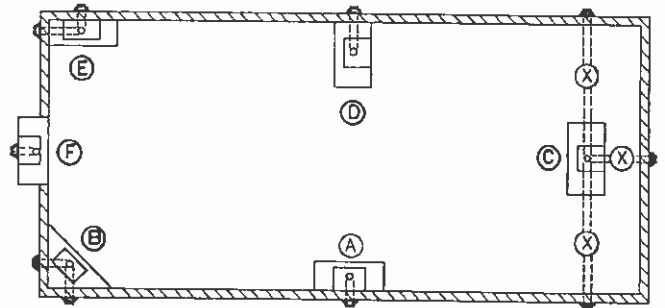
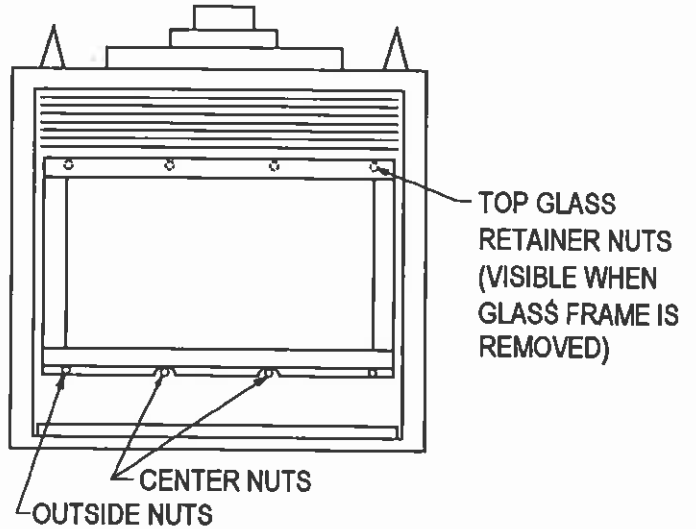
Manifold pressure - Natural Gas 3.5" W.C.
 Propane Gas 10.5" W.C.

Gas Inlet - 3/8" N.P.T.

SUPPLY	MINIMUM PRESSURE	MAXIMUM PRESSURE
Natural Gas	4.5" W.C.	7.0" W.C.
Propane Gas	11.0" W.C.	11.0" W.C.

GLASS FRONT-REMOVAL AND REPLACEMENT

1. Open bottom grill door by pulling outward at the top of the grill. The grill will hinge outward and downward.
2. Remove the two (2) outside nuts at the bottom of the glass frame and remove the glass frame by pulling the frame outward and downward.
3. Now the glass frame is removed, remove the six (6) nuts holding the glass retainer and carefully remove the glass retainer and glass. CAUTION: Be careful to support the glass to prevent it from breaking.
4. To replace glass front reverse the above procedure. CAUTION: Except for servicing, never operate this appliance with the front glass removed or broken.



LOCATING YOUR COMFORTEC FIREPLACE

(Utilizing side wall venting)

(A) Flat on wall; (B) Cross corner; (C) ** Island; (D) Room Divider; (E) * Flat on wall corner; (F) Cantilever

NOTE: ** Island Installation is possible as long as the horizontal portion of the vent system (X) does not exceed 10 feet. See details on Venting, Page 8.

NOTE: * When you install your fireplace in (D) Room divider or (E) Flat on wall corner positions a minimum of 6 inches clearance must be maintained from the perpendicular wall and the front of the appliance.