

# heatilator®

*The first name in fireplaces*



Hearth & Home Technologies-Mt. Pleasant  
1915 W. Saunders Street  
Mt. Pleasant, Iowa 52641  
Division, HON INDUSTRIES  
www.heatilator.com

## INSTALLATION & OPERATING INSTRUCTIONS

### NOVUS™ SERIES, MODEL GNTC80 TOP/REAR DIRECT VENT DECORATIVE GAS APPLIANCE



**GNTC80**

For Residential Use - Meets All HUD Requirements for  
Manufactured Housing Installations  
U.S. Patent 5,613,487

**WARNING:** If the information in this manual is not followed exactly, a fire or explosion may result causing property damage, personal injury or loss of life.

- Do not store or use gasoline or other flammable vapors and liquids in the vicinity of this or any other appliance.
- What to do if you smell gas
  - Do not try to light any appliance.
  - Do not touch any electrical switch; do not use any phone in your building.
  - Immediately call your gas supplier from a neighbor's phone. Follow the gas supplier's instructions.
  - If you cannot reach your gas supplier, call the fire department.
- Installation and service must be performed by a qualified installer, service agency or the gas supplier.

**CAUTION:**

Do not expose the appliance to the elements (such as rain, etc.).

**WARNING!**

Improper installation, adjustment, alteration, service or maintenance can cause injury or property damage. Refer to this manual. For assistance or additional information, consult a qualified installer, service agency or the gas supplier.

**PLEASE RETAIN THIS MANUAL FOR FUTURE REFERENCE.**

## Table of Contents

A. Appliance Specifications .....	3
B. Location & Clearances .....	5
D. Setting the Appliance .....	6
C. Framing .....	6
E. Venting .....	7
F. Assembling the Vent Sections .....	18
G. Utilities .....	20
H. Finishing .....	24
I. Appliance Preparation .....	24
J. Determining the Ignition Type .....	26
K. Lighting Instructions .....	26
L. Seasonal Check List .....	28
M. Start-up Issues .....	29
N. Maintenance Instructions .....	30
O. Optional Components—GNTC80 .....	32
P. Replacement Parts .....	34
Index .....	35
Warranty .....	36

### WARNING!

DO NOT use this appliance if any part has been under water. Immediately call a qualified service technician to inspect the appliance and to replace any part of the control system and any gas control which has been under water.

### SAFETY PRECAUTIONS

1. Please read these installation instructions completely before beginning installation procedures. Failure to follow them could cause an appliance malfunction resulting in serious injury and/or property damage.
2. Always check your local building codes prior to installation. This installation must comply with all local, regional, state and national codes and regulations.
3. Installation and repair should be done by a qualified service person. This appliance should also be inspected annually by a qualified service person. More frequent inspections/cleaning may be required due to excessive lint from carpeting, bedding materials, etc. It is imperative that the control compartment, burners and circulating air passageways of the appliance be kept clean.
4. This is a vented decorative gas appliance. Do not burn wood or other material in this appliance.
5. NEVER leave children unattended when there is a fire burning in the appliance.
6. This appliance may only use the approved venting systems shown in these installation instructions. Venting must not be connected to chimney flue servicing a solid fuel burning appliance or a gas fuel burning appliance.
7. NEVER use gasoline, gasoline-type lantern fuel, kerosene, charcoal lighter fluid, or similar liquids in this appliance. Keep any flammable liquids a safe distance from the appliance.
8. While servicing this appliance, always shut off all electricity and gas to the appliance. This will prevent possible electrical shock or burns. Also, make sure the appliance is completely cooled before servicing.
9. Do not use this appliance if any part has been under water. Immediately call a qualified service technician to inspect the appliance and to replace any part of the control system and any gas control which has been under water.
10. Be sure to provide adequate clearances around the air openings into the appliance and adequate accessibility clearances for servicing and proper operation.

## A. APPLIANCE SPECIFICATIONS

### 1. U.S. AND CANADA CERTIFICATION

The NOVUS Series Gas Appliance has been tested in accordance with the ANSI standard Z21.50-1998, CSA 2.22-M98, and UL 307B. It has been listed by Underwriters Laboratories Inc. for installation as described in this manual. All components are UL, AGA, CGA or CSA safety certified.

### 2. LOCAL CODES

This installation must conform with local codes. In the absence of local codes you must comply with the National Fuel Gas Code, ANSI Z223.1-latest edition in the U.S.A. and the CAN/CGA B149 Installation Codes in Canada.

The Novus Series gas appliance (Decorative Series) has been tested and listed for use in manufactured housing (mobile homes). These installation instructions conform with the **Manufactured Home Construction and Safety Standard**, Title 24 CFR, Part 3280, or when such a standard is not applicable, the Standard for **Manufactured Home Installations**, ANSI A225.1.

For assistance during installation contact your local dealer or contact the Heatilator Technical Services Department, Hearth & Home Technologies, 1915 W. Saunders Street, Mt. Pleasant, Iowa 52641.

HEATILATOR® and NOVUS™ are registered trademarks of Hearth & Home Technologies, Division, HON INDUSTRIES.

### 3. GLASS SPECIFICATIONS/CERTIFICATIONS

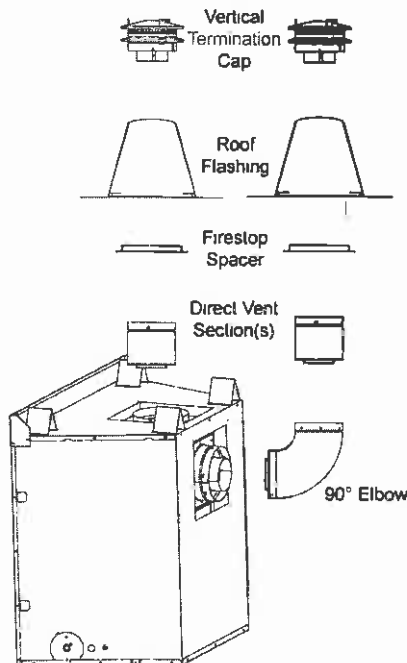
Heatilator gas appliances manufactured with tempered glass may be installed in hazardous locations such as bathtub enclosures as defined by the CPSC. The tempered glass has been tested and certified to the requirements of ANSI Z97.1-1984 and CPSC 16 CFR 1202. (Safety Glazing Certification Council SGCC# 1595 and 1597. Architectural Testing, Inc. Reports 02-31919.01 and 02-31917.01.)

This statement is in compliance with SPCS 16 CFR Section 1201.5 "Certification and labeling requirements" which refers to 15 USC 2063 stating "...Such certificate shall accompany the product or shall otherwise be furnished to any distributor or retailer to whom the product is delivered."

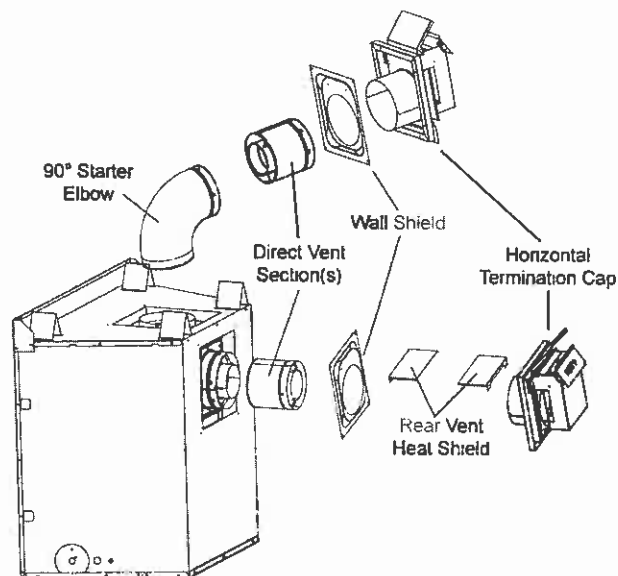
Some local building codes require the use of tempered glass with permanent marking in such locations. Glass meeting this requirement is available from the factory. Please contact your dealer or distributor to order.

The first name in fireplaces

### TYPICAL VERTICAL INSTALLATIONS



### TYPICAL HORIZONTAL INSTALLATIONS



**Note:** Minimum and maximum clearances must be maintained at all times. Illustrations throughout these instructions reflect typical installations and are for design purposes only. Actual installation may vary slightly due to individual design preferences.

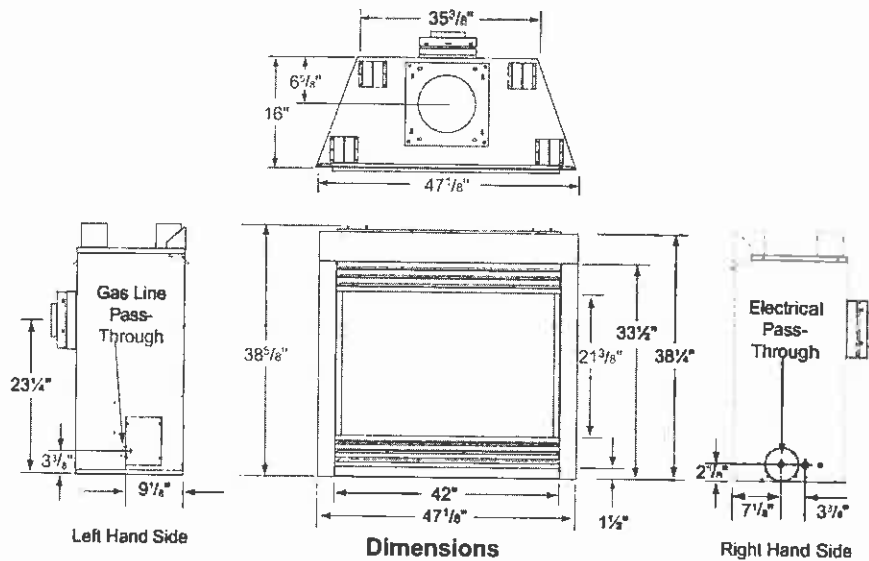
The illustrations and diagrams used throughout these installation instructions are not drawn to scale.

**Tools and building supplies normally required for installation:**

Saw	Wall-finishing materials
Pliers	Framing material
Hammer	Appliance surround
Phillips screwdriver	Caulking material
Tape measure	Gloves
Plumb line	Framing square
Level	Electric drill and bits
Safety glasses	

**NOVUS NOMENCLATURE**

Catalog #	Description
GNTC80LE	Appliance order Code Number
GN	Gas Novus
T	Top/Rear Vent
C	Circulating
80	GNTC80 - 42" Appliance
LE	No suffix - Standing Pilot, Natural Gas L - Standing Pilot, Propane Gas E - Electronic Ignition, Natural Gas LE - Electronic Ignition, Propane Gas
GNTC80LEF	Appliance order code number with upgrade code number
F	Fan Kit Upgrade
B	Black Fire Box
GNTC80LEF	Example - Gas NOVUS, Direct Vent, Heat Circulating, 42" Propane gas, Electronic Ignition, and Fan Kit Upgrades
Components	Description
CS	Cap Shield
VP-TV	Vertical Terminal Cap
VP45	45° Elbow
VP90	90° Elbow
VP90ST	90° Starter Elbow (should be the first 90° elbow used)
RF6	Roof Flashing (vertical termination for 0/12 to 6/12 pitch)
RF7	Steep Pitch Roof Flashing (for 7/12 to 12/12 pitch)
VP4	4" length Vent Pipe
VP6	6" length Vent Pipe
VP12	12" length Vent Pipe
VP24	24" length Vent Pipe
VP36	36" length Vent Pipe
VP48	48" length Vent Pipe
VP6-9	6" - 9" Slip Section Vent Pipe
VP9-14	9" - 14" Slip Section Vent Pipe
VP14-24	14" - 24" Slip Section Vent Pipe
VP12MI	12" Vent Pipe - non-utilized (can be cut to length)
VP24MI	24" Vent Pipe - non-utilized (can be cut to length)
VS4	Vertical Vent Support
VSS2	Vinyl Soffit Shield
WS6	Wall Shield to ensure horizontal clearances
FS6	Firestop Spacer
VP-TH	Horizontal Vent Termination Cap
VP-VT1X	High Wind Horizontal Termination Cap
VP-TB1	Basement Horizontal Termination Cap
VP-THK	Top Vent Horizontal Kit: Cap, Wall Shield, 6-9" Slip Section, Starter Elbow
VP-THK-MI	Top Vent Horizontal Kit: Cap, Wall Shield, VP24MI, Starter Elbow
VP-TRK	Rear Vent Horizontal Kit: Cap, Wall Shield, Heat Shield, 6-9" Slip Section
VP-TRK2	Rear Vent Horizontal Kit: Cap, Wall Shield, Heat Shield, 4" Vent Section



**WARNING!**  
Due to high temperatures, the appliance should be located out of traffic and away from furniture and draperies.

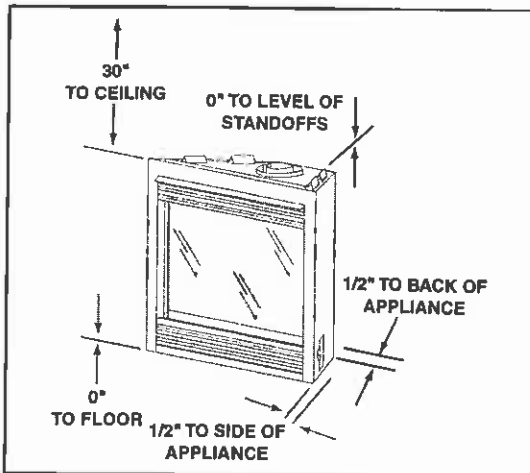
## B. LOCATION & CLEARANCES

### APPLIANCE LOCATIONS AND SPACE REQUIREMENTS

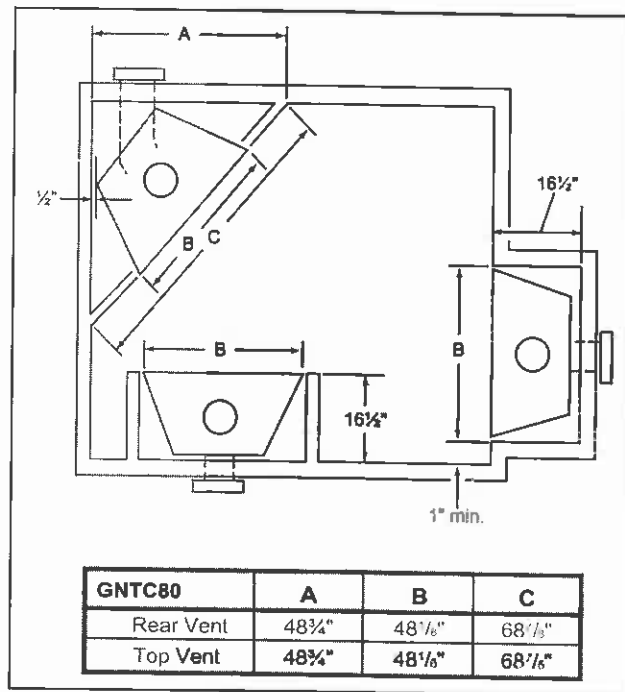
Figure 1 illustrates a variety of ways the appliance may be located in a room. The NOVUS Series may be installed directly on the floor or raised on a hearth. These appliances are certified for installation in a bedroom, bed/sitting room or in mobile homes in the U.S. and Canada.

### 2. CLEARANCES

Figure 2 shows all clearances that must be maintained around the appliance. See page 14 for termination cap clearances.



**Figure 2**  
Appliance Clearances to Combustible Materials



**Figure 1**  
Appliance Locations

**CAUTION:**  
Do not expose appliance to the elements (such as rain, etc.).

## C. FRAMING

Figure 3 shows a typical framing of this appliance using combustible materials. Figure 4 shows the mantel heights for mantel projections. All required clearances to combustibles must be adhered to.

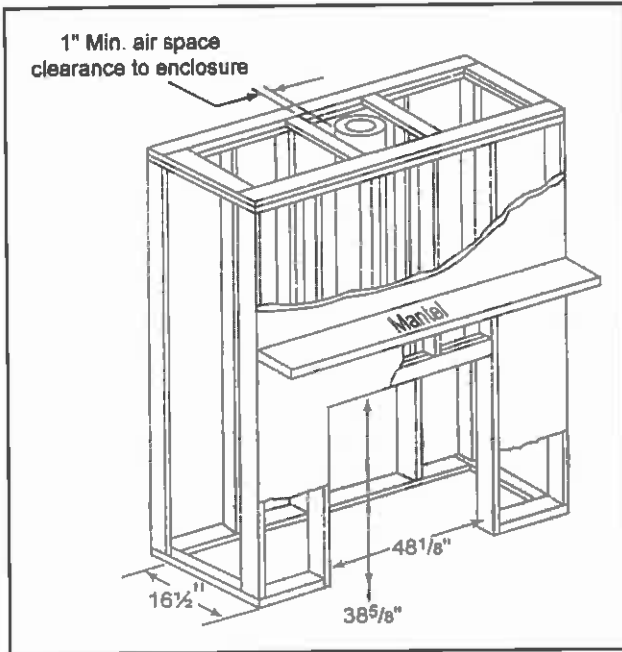


Figure 3 - Framing

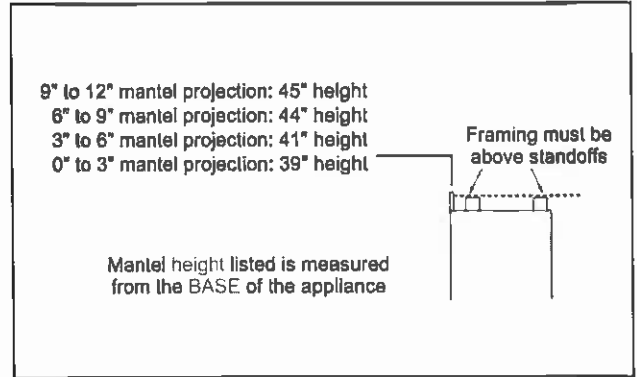


Figure 4 - Mantel Heights

**CAUTION:**  
Wear gloves and safety glasses for protection.

**CAUTION:**  
Provide adequate clearances around the air openings into the combustion chamber and adequate accessibility clearances for servicing and proper operation.

**WARNING!**  
To prevent contact with sagging or loose insulation, the appliance must not be installed against vapor barriers or exposed insulation. Localized overheating could occur and a fire could result.

## D. SETTING THE APPLIANCE

This appliance may be placed on a smooth combustible or noncombustible continuous, flat surface. When the appliance is installed directly on carpeting, tile or other combustible material other than wood flooring, the appliance shall be installed on a metal or wood panel extending the full width and depth of the appliance. Slide the appliance into position and level the appliance from side-to-side and front-to-back. Shim with noncombustible material as necessary.

Secure the appliance by bending out the nailing flanges on each side of the appliance and nail to framing. The nailing flanges have been positioned 5/8 inch back from the front of the appliance to allow the addition of drywall.

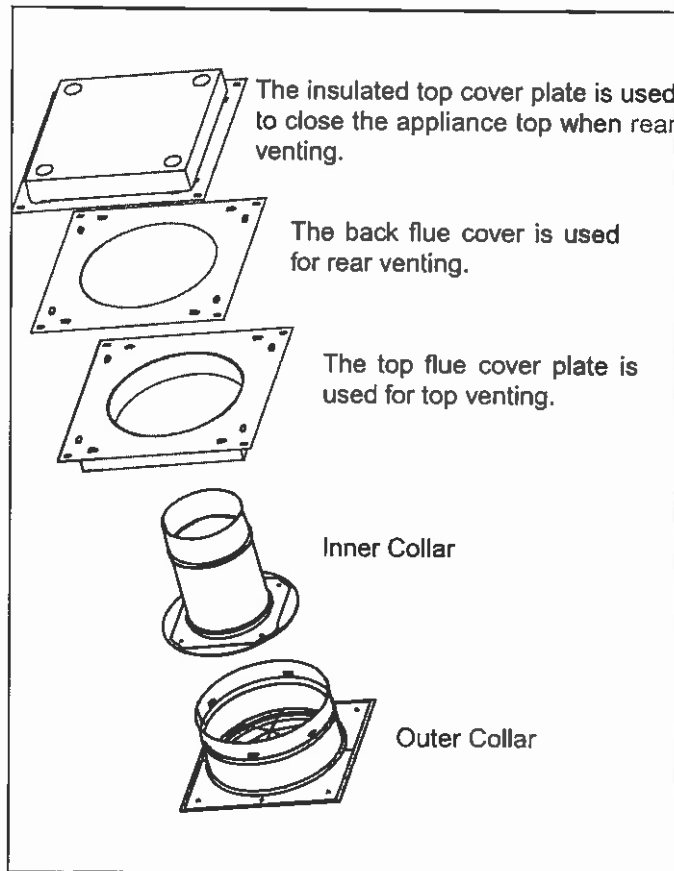
## E. VENTING

### 1. REMOVAL OF VENT CONNECTORS

This appliance may be vented either off the rear or off the top of the appliance. Depending on your specific installation, a vent cover must be removed from either the top or rear of the appliance and the inner and outer collars attached.

The appliance is shipped with the following vent components on the top of the appliance. To remove the vent components from the appliance remove the two screws located in the corners. Remove the top cover plate with insulation, back flue cover plate, top cover plate with insulation, outer collar w/gasket, and inner collar w/gasket. See Figure 5.

THE FOLLOWING VENTING COMPONENTS ARE SHIPPED ATTACHED TO THE TOP OF THE APPLIANCE:



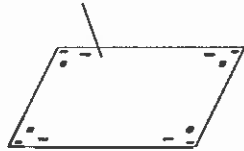
**Figure 5**  
**Venting Components (In order of disassembly)**

**2. REAR VENTING**

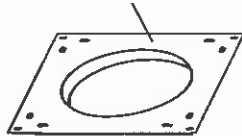
Remove the back cover plate, outer cover plate and inner cover plate by removing the screws. Place the 5" inner collar in the appliance with the screws removed from the cover plates. Attach the 8" outer collar to the appliance top using the screws removed. Make sure that the gaskets for the inner and outer collars seal tightly. Place the 12" top cover plate with an 8" hole over the outer collar and secure with screws removed. See Figure 6. Place the top cover plate with insulation and without the 8" hole on the top of the appliance and secure with screws provided in the parts bag.

**WARNING!**

When rear venting, close the unused top opening with the solid cover with the insulation down.



When top venting, use the plate with an 8" opening and insulation. Install with the insulation down.



The opening on the top of the appliance must be sealed with an insulated cover.

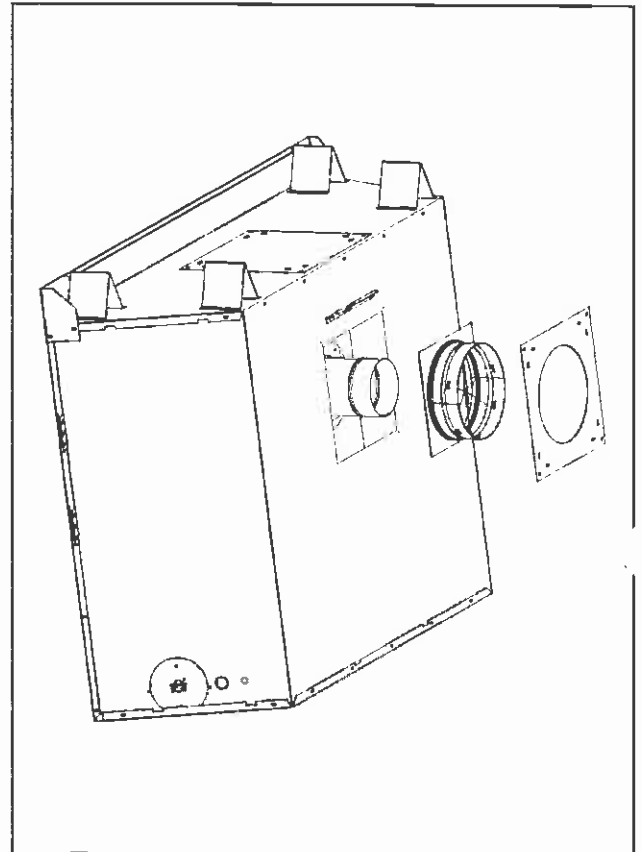
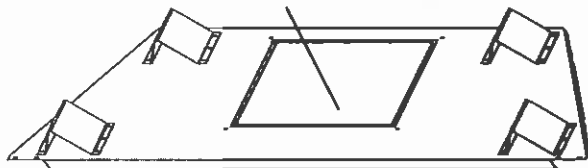


Figure 6

**WARNING!**

If not sealed, a fire hazard will be created and the appliance will not operate properly.