

INSTALLATION AND OPERATING INSTRUCTIONS

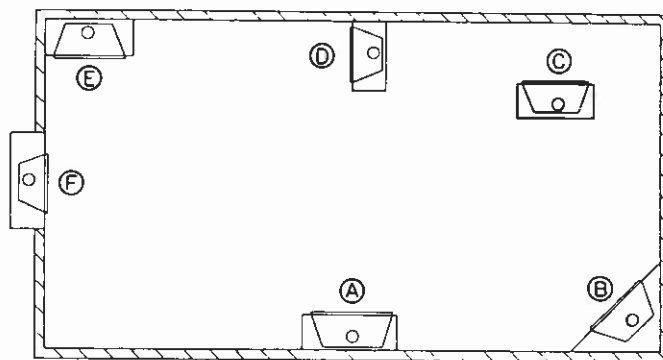
WARNING: Improper installation, adjustment, alteration, service or maintenance may void warranty and can cause injury or property damage. Refer to this manual.

For assistance or additional information consult a qualified installer, service agency or the gas supplier.

FOR SAFE INSTALLATION AND OPERATION OF YOUR COMFORTEC™ APPLIANCE PLEASE NOTE THE FOLLOWING:

1. This appliance gives off high temperatures and should be located out of heavy traffic areas and away from furniture and draperies.
2. Children and adults should be alerted to the hazards of the high surface temperatures of this appliance and should stay away to avoid burns or ignition of clothing.
3. Children should be carefully supervised when they are in the same room as your fireplace appliance.
4. Under no circumstances should this appliance be modified. Parts that have to be removed for servicing should be replaced prior to operating this appliance.
5. Installation and any repairs to this appliance should be done by a qualified service person. A professional service person should be called to inspect this appliance annually. Make it a practice to have all of your gas appliances checked annually.
6. Control compartments, burners and air passages in this appliance should be kept clean and free of dust and lint. Make sure that the gas valve and pilot light are turned off before you attempt to clean this unit.
7. The venting system (chimney) of this appliance should be inspected by a qualified agency at least once a year and if needed, your venting system should be cleaned.
8. Keep the area around your appliance clear of combustible materials, gasoline and other flammable vapors and liquids. This appliance should not be used as a drying rack for clothing, nor should Christmas stockings or decoration be hung in the area of it.
9. This appliance needs good ventilation for safe operation. Provisions must be made for the supply of adequate combustion and ventilation air. Outside Air Kit, Model C36 OAK, is available from your local dealer if desired or required by local code. Never install this fireplace, outside air ducts or chimney in a garage or other area that may contain flammable liquids, unless they are properly framed and sealed off from that area. Never install outside air duct inlets in a garage or other area containing flammable liquids.
10. Under no circumstances should any solid fuels (wood, paper, cardboard, coal) be used in this appliance.
11. For safe operation keep screens or optional glass doors closed.
12. Never connect a gas appliance to a chimney flue serving a separate solid-fuel burning appliance.
13. Do not use this appliance if any part has been underwater. Immediately call a qualified service technician to inspect the appliance and to replace any part of the control system and any gas control which has been underwater.

LOCATING YOUR COMFORTEC™ FIREPLACE

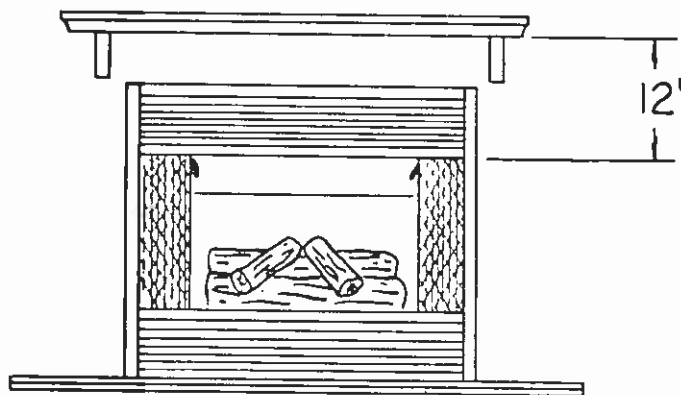


(A) Flat on wall (B) Cross corner (C) Island
(D) Room divider* (E) Flat on wall corner* (F) Cantelever

NOTE: When you install your Comfortec™ fireplace in (D) Room divider or (E) Flat on wall corner methods, a minimum of 6 inches clearance must be maintained from the perpendicular wall to the front corner of the appliance.

MANTLES

Any combustible mantle should be installed at least 12 inches from the fireplace opening on top.



The Comfortec™ fireplace may be installed flat on a combustible floor or raised up on the wall to keep the flame at eye level. Do not install this unit directly on carpets or vinyl flooring.

HEARTH

A hearth is not mandatory but it is recommended for aesthetics and for added safety. We recommend a non-combustible hearth which comes out a minimum of 12 inches in front of this appliance.

GAS SPECIFICATIONS

MODEL*	FUEL	GAS CONTROL	MAXIMUM INPUT
C36MN	Natural Gas	Manual	25,000 B.T.U./HR
C36RN	Natural Gas	Remote On/Off	25,000 B.T.U./HR
C36MP	Propane Gas	Manual	25,000 B.T.U./HR
C36RP	Propane Gas	Remote On/Off	25,000 B.T.U./HR
C36VN	Natural Gas	24 Volt	25,000 B.T.U./HR
C36VP	Propane Gas	24 Volt	25,000 B.T.U./HR

*Check with your dealer for availability.

Manifold Pressure - Natural Gas 3.5" W.C.

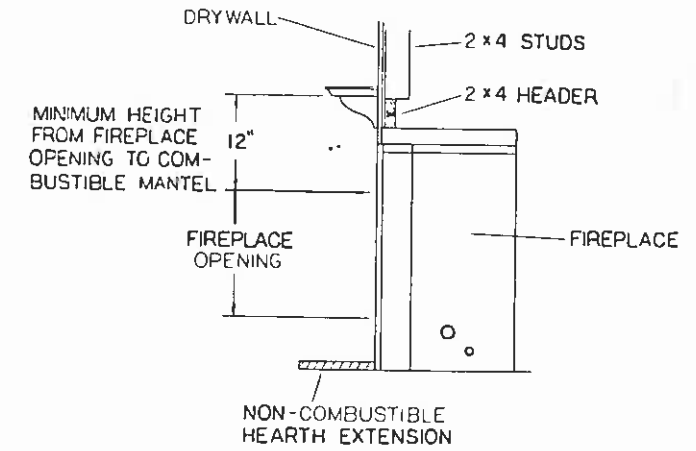
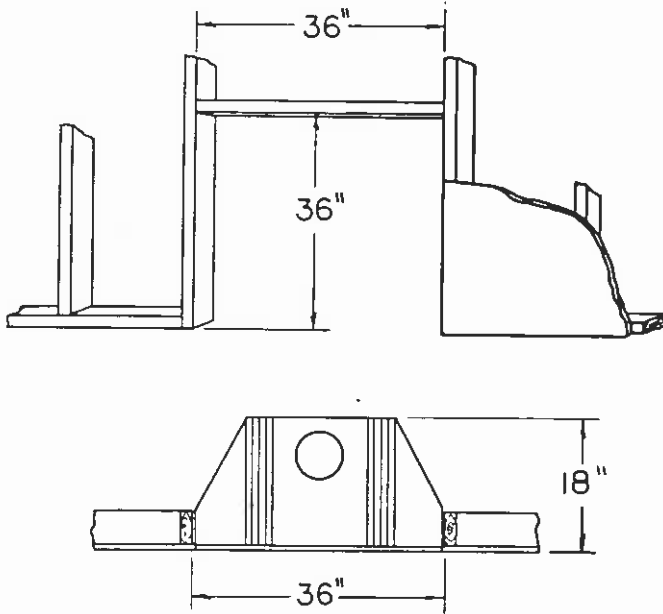
- Propane Gas 10.5" W.C.

Gas Inlet - 3/4" N.P.T.

Supply	Minimum Pressure	Maximum Pressure
Natural Gas	4.5" W.C.	7.0" W.C.
Propane Gas	11.0" W.C.	11.0" W.C.

FRAMING AND FINISHING

1. Choose fireplace location and frame to provide a 36" wide x 36" high opening.
2. Place fireplace into position and secure to floor and to wall studs.
3. Cold climate installation recommendation: When installing this fireplace against a non-insulated exterior wall or chase, it is recommended that the outer walls be insulated to conform to applicable insulation codes.



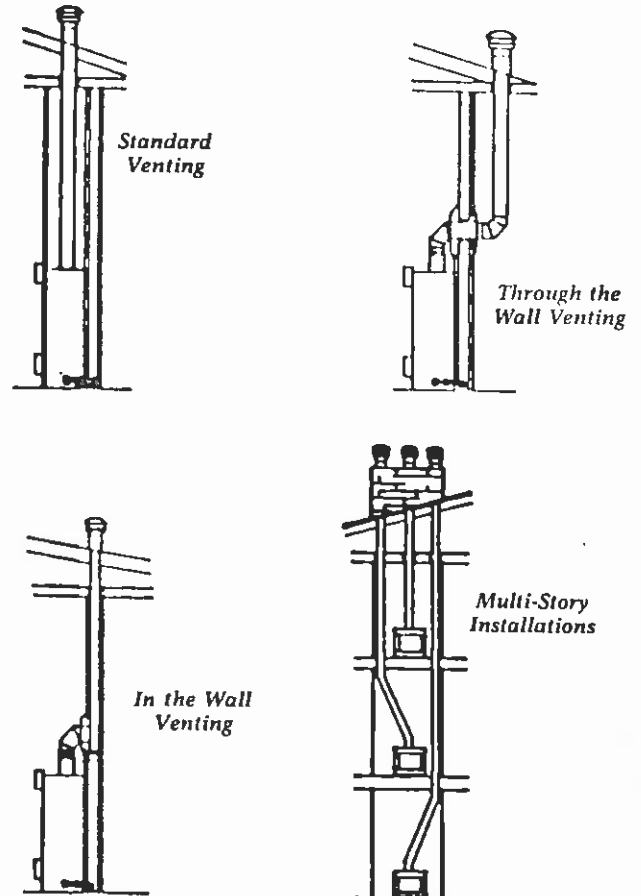
Non-combustible materials such as brick, stone or tile may project in front of and/or on the face of the fireplace but must not block any of the grill openings or firechamber opening. If a Brass Trim Kit is going to be installed, brick, stone or tile will have to be installed flush with the sides and top of the fireplace.

VENTING

1. This fireplace must be vented with a 5" diameter Class "B" vent. The installation of the venting system must conform and be in accordance with all local codes.

Minimum chimney height from top of fireplace must be at least 6 feet.

VARIOUS CHIMNEY ROUTES



CLEARANCES TO COMBUSTIBLES

Back	0 inches	
Side	0 inches	
Floor	0 inches	
Top	0 inches	From Standoffs

Drywall can extend flush with appliance on all 4 sides of front face.

When this appliance is being installed in a non-insulated wall or in a chase, fiberglass insulation should be installed around body of fireplace.

2. MASONRY CHIMNEY INSTALLATION:

This appliance can be connected to a masonry chimney flue. Make sure the masonry chimney is clean and in good working order. When an existing masonry chimney is unlined and local experience indicates that gas condensation may be a problem or if local codes dictate, an approved liner must be installed. Use "B" Vent to bridge the gap between the fireplace and the masonry chimney. To ensure proper flue sizing and operation it is recommended that the masonry chimney be lined with an approved aluminum chimney liner of the same diameter as the "B" Vent. Make sure connection between "B" Vent and masonry is completely sealed. Flue pipe exposed to cold air should be insulated in a chase. If condensation occurs, a trap should be installed at bottom of flue.

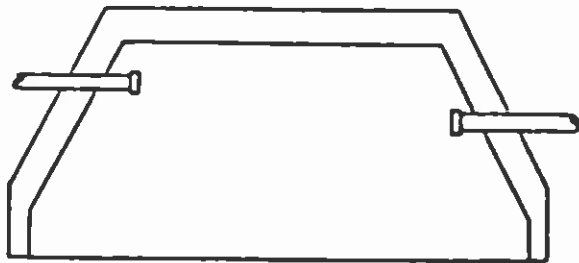
3. This unit has also been certified for power venting with our Comfortec™ Model #CPVS Power Venting System.

NOTE: Under no circumstances should this gas appliance or any gas appliance share the same flue with an oil or wood or any solid fuel burning appliance.

GAS PIPE INSTALLATION

The installation must conform with local codes or, in the absence of local codes, with the latest edition of the National Fuel Gas Code, ANSI 223.1.

- a) The Burner/Grate assembly and log sets are packaged separately to permit removal of same to prevent potential pilferage during the open construction stage. It is therefore recommended that the gas pipe be brought into the fireplace either from the left or right side and be capped for final installation of burner. The Burner/Grate assembly should only be installed when the construction has entered its finishing stage.



- b) A length of flexible gas line may be used in the firebox only if local codes approve.
- c) An accessible manual shut-off valve is required in the gas supply line. A ground joint union is required in the gas supply line to provide for burner removal or servicing.
- d) When a vertical section of piping is required for installation, a condensation trap is needed.
- e) For natural gas, a minimum of $\frac{3}{4}$ " iron pipe with gas pressure of 4.5" W.C. must be used for supply from the meter. Consult with the local gas utility if any question arises concerning pipe size.
- f) A $\frac{1}{4}$ " N.P.T. plugged tapping, accessible for test gauge connection, must be installed immediately upstream of the gas supply connection to the appliance.

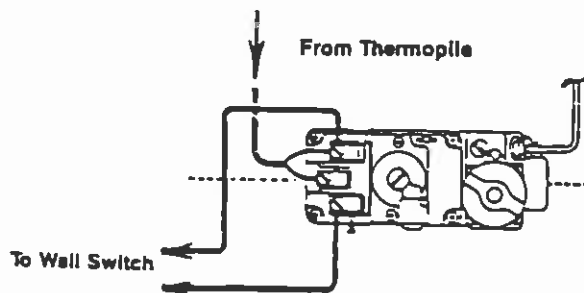
- g) Make gas connection to grate assembly with pipe or listed flexible connection.
- h) Turn gas supply on and check for leaks (DO NOT USE AN OPEN FLAME). Use a soap and water solution.

NOTE: The appliance and its individual shutoff valve must be disconnected from the gas supply piping system during any pressure testing of that system at test pressures in excess of $\frac{1}{2}$ psig. The appliance must be isolated from the gas supply piping system by closing its individual manual shutoff valve during any pressure testing of the gas supply piping system at test pressures equal to or less than $\frac{1}{2}$ psig.

INSTALLATION OF REMOTE WALL SWITCH FOR AUTOMATIC GAS VALVE (RN & RP Models Only)

1. Thread wire through gas inlet opening. Be sure not to cut wire. Lead same to a conveniently located wall receptacle box. For best long term results, switch must not be more than 10 feet from fireplace.
2. Attach wire to switch, install switch in receptacle box and mount switch cover plate.
3. Connect wires to gas valve. One wire to the top terminal and one wire to the bottom terminal.

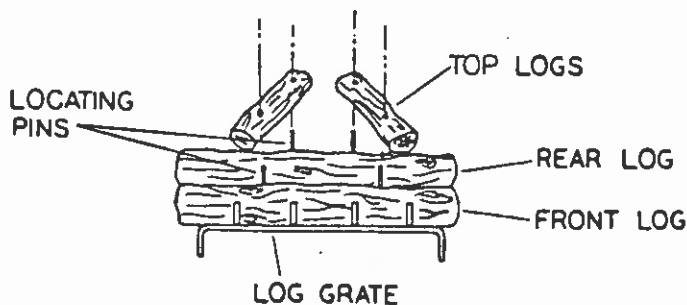
CAUTION: Do not wire millivolt remote wall switch or gas valve to a 110 volt power supply. Electrical current used to operate this appliance is generated by the thermopile.



INSTALLATION OF LOGS

- 1) Place rear log onto locating pins.
- 2) Place front log.
- 3) Slide left and right upper logs onto locating pins.

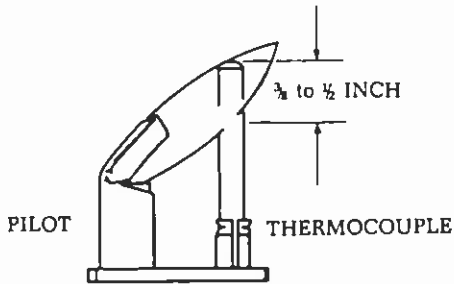
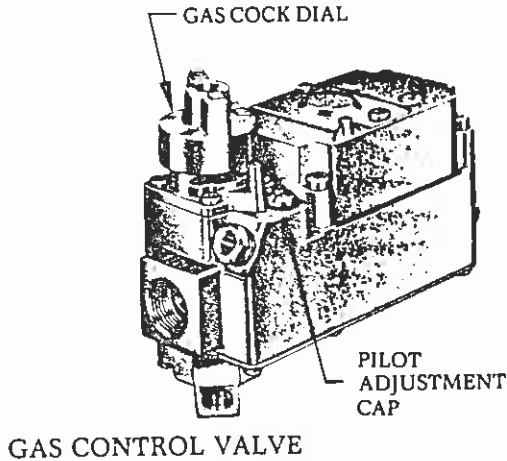
NOTE: The rear log and upper logs have pre-punched holes on their undersides for this purpose. After burner is lit, observe flame pattern to make sure flames do not impinge (touch) the logs.



OPERATING AND MAINTENANCE INSTRUCTIONS

1. LIGHTING PROCEDURE

- a) Partially depress and turn the Valve Knob to the "OFF" position.
- b) Wait sufficient time to allow gas which may have accumulated in the burner compartment to escape. (At least 5 minutes.)
- c) Turn Valve Knob to the "PILOT" position.
- d) Depress and hold Valve Knob while lighting Pilot. Allow Pilot to burn one-half minute before releasing Valve Knob. If Pilot does not remain lighted, repeat operation allowing a longer period before releasing Valve Knob.
- e) Turn Valve Knob to "ON" position.
- f) If unit fails to start, repeat steps "a" through "e".



PILOT BURNER ADJUSTMENT

1. Remove Pilot Adjustment Cap.
2. Adjust pilot key to provide properly sized flame.
3. Replace Pilot Adjustment Cap.
4. Leak Test.

MAINTENANCE

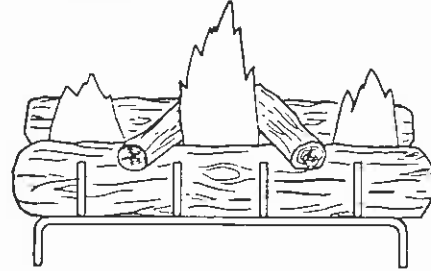
It is important to keep burner and the burner compartment clean. This must be done periodically, at least once per season.

Steps for Cleaning Procedure

- 1) Turn off pilot.
- 2) Open glass doors if so equipped.
- 3) Remove logs.
- 4) Vacuum burner compartment, especially around the orifice opening.
- 5) Re-install logs.
- 6) Close glass doors, if so equipped.
- 7) Ignite pilot - see Operating Section of the Manual.

- 8) Operate the burner and visually check to make sure the flame pattern appears similar to the pictorial illustration shown below.

NOTE: It is important to periodically perform a visual check of the pilot and the burner flame and to compare them with the pictorial illustration shown below.



2. SHUT-DOWN PROCEDURE

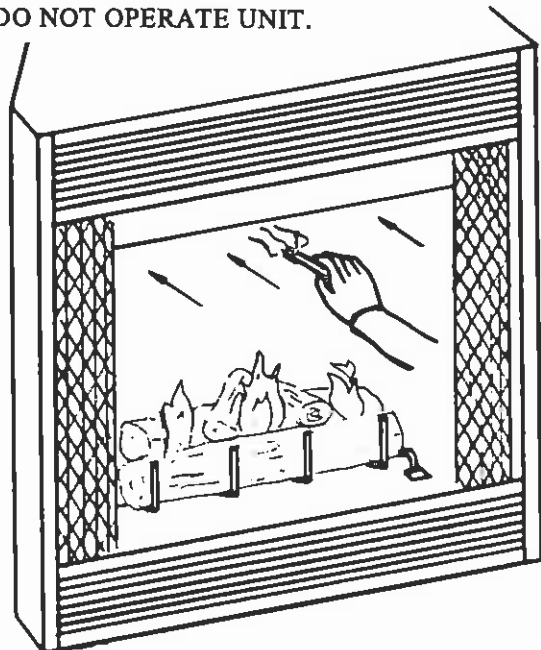
- a) To turn off Main Burner only, turn Valve Knob to "PILOT" position.
 - b) For complete shut down, slightly depress Valve Knob, turn to "OFF" position.
3. The C36 Burner/Grate Assembly has been engineered and permanently adjusted for proper flame control. **DO NOT ALTER GAS ORIFICE.**
 4. Periodic visual checks of the Pilot Flame should be conducted to ensure that the flame is continuously present except when the Valve Knob is in the "OFF" position.
 5. Periodically remove the logs from the grate assembly and vacuum any loose particles from the Grate and Burner area.

TEST CHIMNEY DRAW

A "Chimney Draw" test must be made before the installation is complete.

1. Close all doors and windows in the home and start exhaust fans in the bathroom and kitchen.
2. Light unit and operate for 5 minutes.
3. Hold an ignited match or cigarette in front of firebox.
4. If smoke is not drawn up the fireplace and into the chimney turn the unit off and check for cause of the lack of draft.

DO NOT OPERATE UNIT.



INSTALLATION INSTRUCTIONS FOR OPTIONAL MODEL C42FK FAN KIT

Kit Includes: 1 - Fan Assembly
1 - Speed Control Switch
1 - Hardware Pack

This appliance, when installed, must be electrically grounded in accordance with local codes, or, in the absence of local codes, with the latest edition of the National Electrical Code, ANSI/NFPA 70.

Installation:

1. Remove Bottom Louver/Bar Set.
2. Remove Combustion Air Intake Plate (3 screws) (Figure 1).
3. Slide in Fan Assembly and fasten with 10-32 nuts onto Weld Screws protruding through floor.
4. Install electrical wiring. It is recommended that Fan Speed Control Switch be mounted in a wall receptacle box near the fireplace for easy operation.

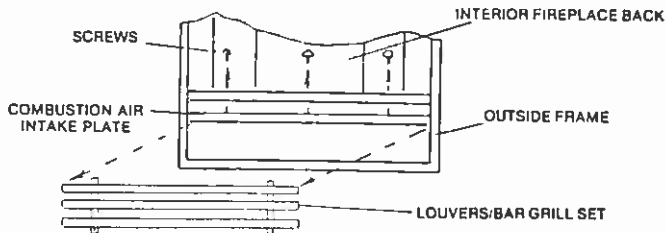
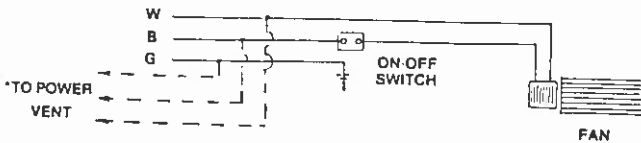


Figure 1

NOTE: Electrical wiring and installation must conform to all applicable codes and ordinances and must be done by a licensed electrician.



*If POWER VENT MODEL CPVS and/or fan is used wire electrical system as shown in diagram. (Dotted line).

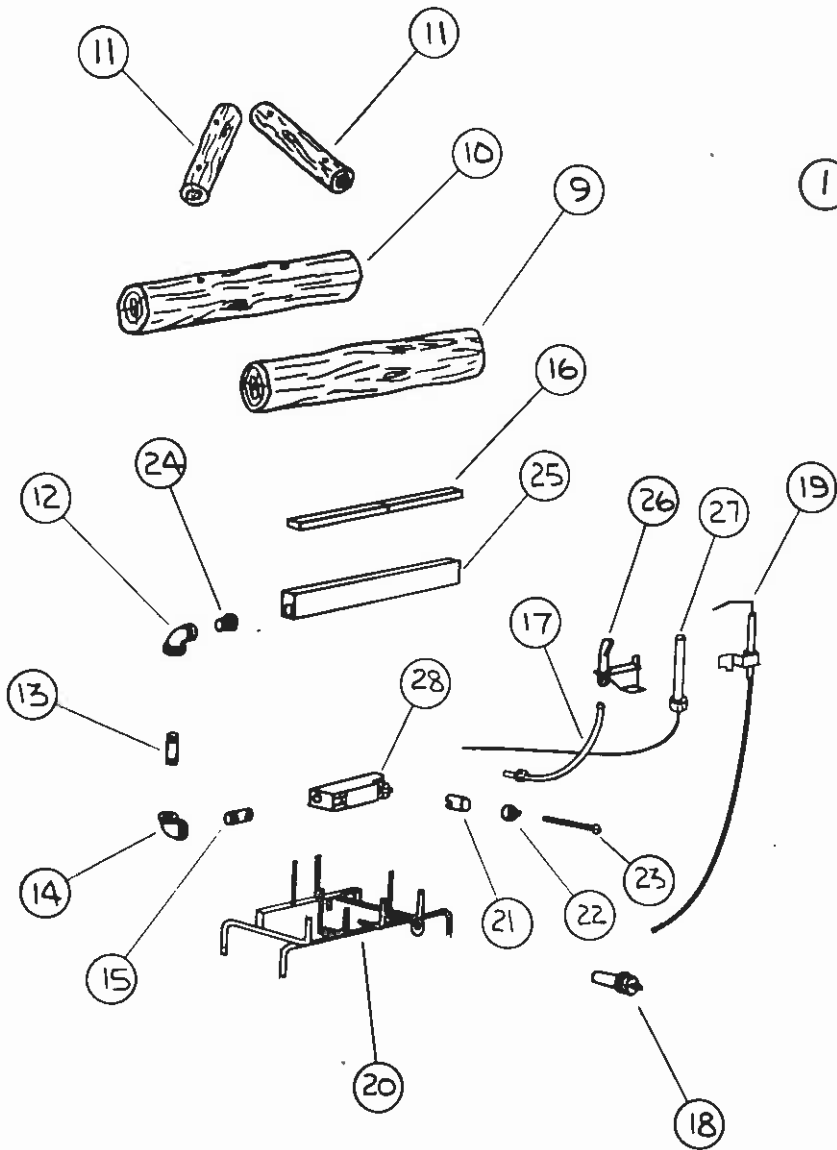
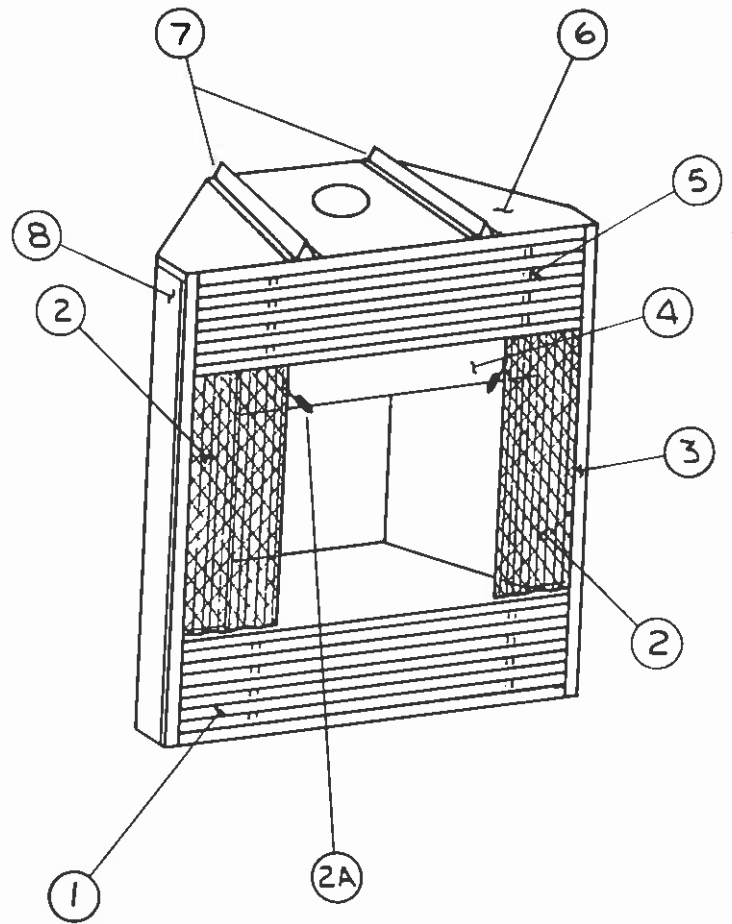
FAN WIRING DIAGRAM

REPAIR PARTS LIST

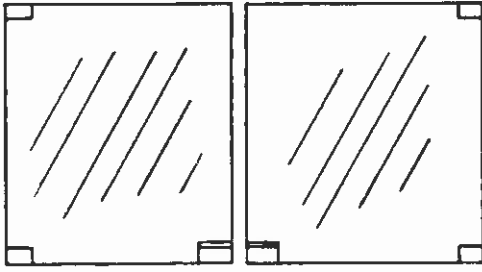
All repair parts will be available from your local dealer. When ordering, always give the following information: (a) part number, (b) part description and (c) model number.

ITEM	QTY.	PART NO.	DESCRIPTION
1	1	GF2003W	Lower Grill Weldment
2	2	GF6900	Firescreen Panel Assembly (Includes Tassle)
2A	2	GF6900-2	Tassle Only For Firescreen
3	1	GF2007W	Front Face Weldment
4	1	GF3003	Smoke Shield
5	1	GF1003	Upper Grill Assembly
6	1	GF3020	Outer Top
7	2	GF3015	Standoff Spacer
8	1	GF3013	Outer Wrap
9	1	GF6018	Front Log
10	1	GF6018P1	Rear Log
11	2	GF6010P1	Top Logs
Not Shown	1	GF1004P1	Log Set - Carton of 4 Logs
12	1	OB330X1	Reducing Elbow 90°
13	1	63AX131	3/8" Pipe Nipple 2" Long
14	1	63AX130	3/8" Elbow 90°
15	1	63AX724	3/8" Pipe Nipple 2 1/2" Long
16	2	GF7600P1	Burner Tile
17	1	OB331X5	Pilot Supply Line
18	1	GF7570	Push Button Ignitor
19	1	GF7590	Ignitor Electrode Assembly
20	1	GF2006W	Log Grate Weldment
21	1	GF3034	Valve Knob Extension
22	1	GF7580	Knob-Control Valve
23	1	OB118X19X	Phillip Screw #6-32 x 2 1/2"
24	1	GF7610P3	Burner Orifice
	1	GF7610P4	Burner Orifice
25	1	GF1002P1	Burner Assembly, Natural Gas, Includes Item 16
	1	GF1002P2	Burner Assembly, Propane Gas, Includes Item 16
26	1	GF7560	Pilot Assembly, Natural Gas
	1	GF7560P2	Pilot Assembly, Propane Gas
27	1	GF7540	Thermocouple for Models C36MN, C36MP, C36VN & C36VP
	1	GF7520	Thermopile for Models C36RN and C36 RP
28	1	GF7500	Control Valve for Model C36RN
	1	GF7500P2	Control Valve for Model C36RP
	1	GF7501	Control Valve for Model C36VN
	1	GF7501P2	Control Valve for Model C36VP
	1	GF7502	Control Valve for Model C36MN
	1	GF7502P2	Control Valve for Model C36MP

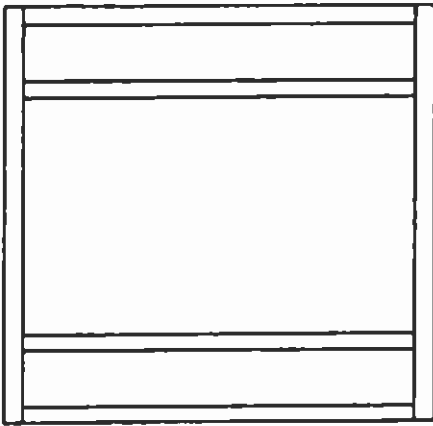
***NOTE:** When ordering Gas Control, Orifices or Burners always specify Natural or Propane Gas.



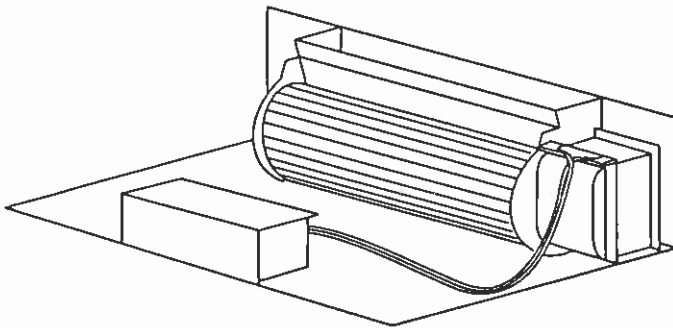
OPTIONAL EQUIPMENT



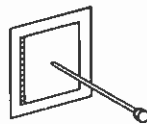
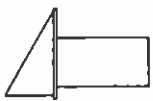
Model # C36GD
Glass Door Kit



Model # C36TK
Trim Kit Finishes:
AB - Antique Brass
PB - Polished Brass
Check with your Dealer for availability and details.



Model # C42FK
Fan Kit - Fan circulates room air to increase heat output and efficiency.



Model # C36 OAK
Outside Air Kit