



heatilator®

The first name in fireplaces

Hearth Technologies-Mt. Pleasant
1915 W. Saunders Street
Mt. Pleasant, Iowa 52641
Division, HON INDUSTRIES
www.heatilator.com

INSTALLATION & OPERATING INSTRUCTIONS

TRADITIONAL 4200 WOODBURNING FIREPLACE



WARNING!

Improper installation, adjustment, alteration, service or maintenance can cause injury or property damage. Refer to this manual. For assistance or additional information, consult a qualified installer, service agency or the gas supplier.

Table of Contents

Safety Precautions 2
 Design and Installation Considerations 3
 A. Listings and Code Approvals 4
 B. Description of the Fireplace System 4
 C. System Components 5
 D. Pre-Installation Preparation 9
 E. Chimney Requirements 11
 F. Installation of Fireplace 13
 G. Constructing a Chase 20
 H. Operating Instructions 22
 I. Maintenance Instructions 26
 Index 27
 Warranty 28

CAUTION:

Do not expose the fireplace to the elements (i.e. rain, etc.) and keep the fireplace dry at all times. Wet insulation will produce an odor when the fireplace is used.

SAFETY PRECAUTIONS

1. Please read these installation instructions completely before beginning installation procedures. Failure to follow them could cause a fireplace malfunction resulting in serious injury and/or property damage.
2. Always check your local building codes prior to installation. The fireplace installation must comply with all local, regional, state and national codes and regulations.
3. An adequate supply of replacement combustion air from outside the house must be available to the fire for the fireplace to operate properly. To achieve this, the use of the optional outside air kit is highly recommended.

 In the event the home is unusually tightly sealed, the optional combustion air kit may not provide all the air required to support combustion. Hearth Technologies Inc. is not responsible for any smoking or related problems that may result from the lack of adequate combustion air. It is the responsibility of the builder/contractor to ensure that adequate combustion air has been provided for the fireplace.
4. This fireplace must be installed with the Hearth Technologies Inc. (HTI) SL Series Chimney System.
5. **NEVER** leave children unattended when there is a fire burning in the fireplace.
6. This woodburning fireplace is built for solid fuel only. **NEVER** use gasoline, gasoline type lantern fuel, kerosene, charcoal lighter fluid, or similar liquids in this fireplace. Keep any flammable liquids a safe distance from the fireplace.
7. **DO NOT** use chimney cleaners or flame colorants in your fireplace.
8. The flue damper must be open at all times when the fireplace is in use.
9. While servicing this fireplace, always shut off any electricity or gas to the fireplace. This will prevent possible electric shock or burns. Also, make sure the fireplace is completely cooled before servicing.
10. To ensure a safe fireplace system and to prevent the build up of soot and creosote, inspect and clean the fireplace and chimney prior to use and periodically during the burning season. See page 26 for cleaning instructions.

DESIGN AND INSTALLATION CONSIDERATIONS

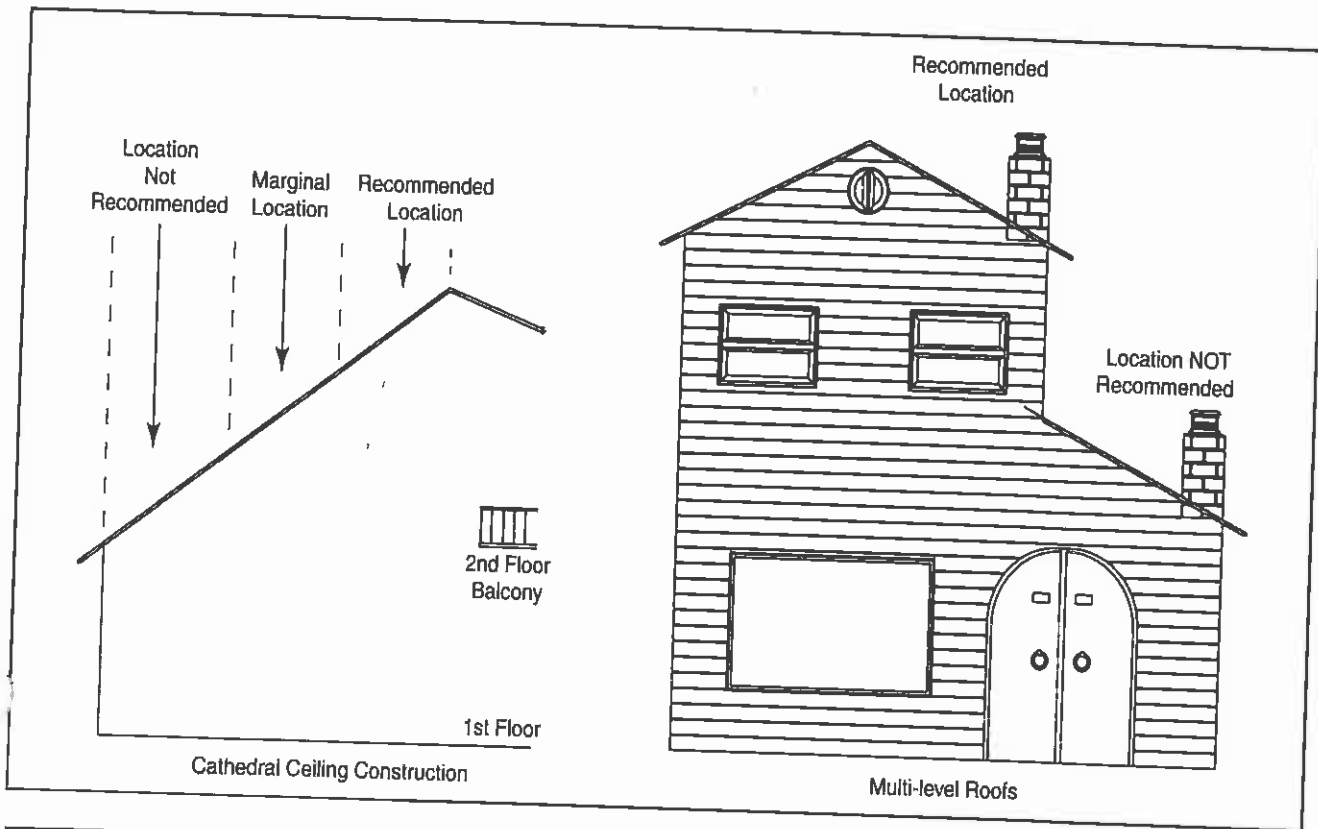
When selecting a location for your woodburning fireplace, It is important to evaluate a number of considerations. Modern construction techniques can create conditions that may not allow your chimney to draft properly. This may result in smoke spillage from your fireplace, as well as cause other combustion appliances to operate incorrectly.

Tightly sealed construction is important for energy efficiency. Unfortunately, a great deal of effort has been directed to tightening up sidewall construction, while considerably less attention has been paid to tightening upper portions of the warm air envelope (insulated ceilings). This has increased the "Stack Effect", a condition that increases the negative pressure generated by the structure. This negative pressure will directly affect the drafting performance of a fireplace chimney. To minimize the negative pressure generated by stack effect, make certain that all duct work installed in the attic spaces is sealed airtight. Minimize the number of recessed light fixtures installed in the insulated ceiling, and use sealed recessed light fixtures. Finally, make certain the whole house fans and attic access panels are tightly sealed. These are important design considerations that must be observed during the design and construction stage of the home.

If you desire to put a fireplace in your basement, we recommend that you consider a direct vent gas fireplace. Basements always have a significant negative air pressure that causes the fireplace system to be more susceptible to smoke spillage and cold flue back drafting. Since direct vent gas fireplaces are sealed, they are not affected by the negative pressure that exists in basements.

Finally, woodburning fireplaces perform best when their chimney (roof termination) is located on the upper half of the roof, especially when cathedral ceilings are present. Chimneys that are located on the lower half of the roof realize what is known as "lazy flue" and will not draft as well as a chimney that is located in the upper portion of the roof. The reason for this is that the stack effect generated by the overall height of the living spaces inside the house will exceed the draft generated by the chimney system. If you desire to place a woodburning fireplace in a location where the termination cap would be located on the lower half of a roof, such as on an outside wall at the base of a cathedral ceiling, we recommend that you consider using a direct vent gas fireplace. This will assure the homeowner a fireplace that operates correctly.

These properties do not affect just your woodburning factory built fireplace. They can cause any woodburning fireplace as well as any conventionally vented (B-vent) gas appliance to operate improperly. Careful planning at this stage of your project will ensure satisfaction with the operation of your fireplace once it is completed.



A. LISTINGS AND CODE APPROVALS

This fireplace system has been tested and listed in accordance with UL 127 standards, and has been listed by Underwriters Laboratories Inc. for installation and operation in the United States as described in this manual.

This fireplace has been tested and listed for use with the optional components listed on page 5. These optional components may be purchased separately and installed at a later date. However, installation of an outside air kit will require significant reconstruction, and should be installed at the time of the initial fireplace installation.

Check with your local building code agency prior to installing this fireplace to ensure compliance with local codes, including the need for permits and follow-up inspections. If you need assistance during installation, please contact your local dealer or the Heatilator Technical Services Department, Hearth Technologies Inc., 1915 W. Saunders St., Mt. Pleasant, Iowa 52641 (1-800-843-2848).

Heatilator® is a registered trademark of Hearth Technologies Inc., Division, HON INDUSTRIES.

WARNING!

This fireplace and its components are designed to be installed and operated as a system. Any alteration to or substitution for items in this system, unless allowed by these installation instructions, will void the Underwriters Laboratories listing and may void the product warranty. It may also create a hazardous installation. Read through these instructions thoroughly before starting your installation and follow them carefully throughout your project.

B. DESCRIPTION OF THE FIREPLACE SYSTEM

1. The Heatilator fireplace system consists of the following:
 - a. Fireplace/Integral Grate/Outside Combustion Air System
 - b. Refractory
 - c. Chimney Termination Cap
 - d. Chimney System
 - e. Hearth Extension
2. Optional Components Include:
 - a. Glass Doors
 - b. Outside Combustion Air Kit

Note: Illustrations used throughout these instructions reflect "typical installations" and are for design purposes only. Actual installation may vary slightly due to individual design preferences. However, minimum and maximum clearances must be maintained at all times.

The illustrations and diagrams used throughout these installations instructions are not drawn to scale.

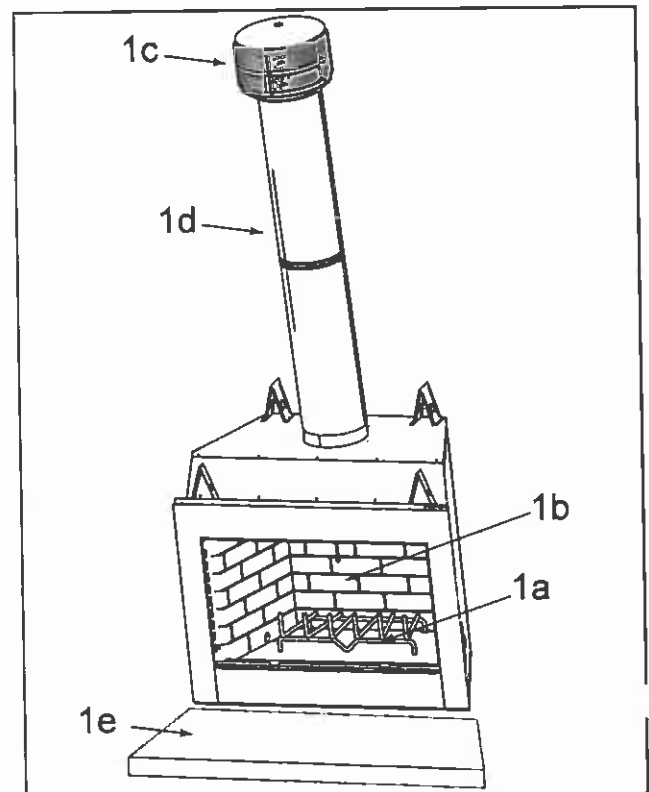
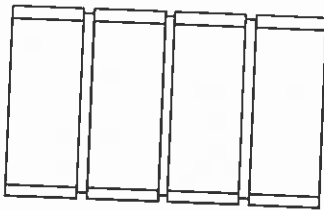


Figure 1 - Typical Fireplace System

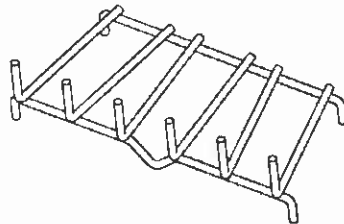
C. SYSTEM COMPONENTS

1. Fireplace Components

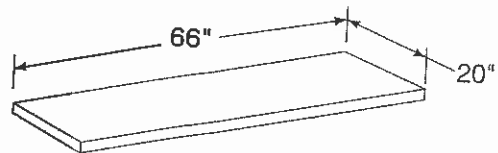
Catalog #	Description:
T4200	Fireplace, with Integral Grate, Outside Air Kit and Hearth Protection Strips
DM1342	Glass Doors - Bi-fold, Clear-View - Black
DM1342B	Glass Doors - Bi-fold, Clear-View - Polished Brass
DM1342S	Glass Doors - Bi-fold, Clear-View - Stainless Steel
HX4	Hearth Extension
GR9	Integral Grate (included with Fireplace)



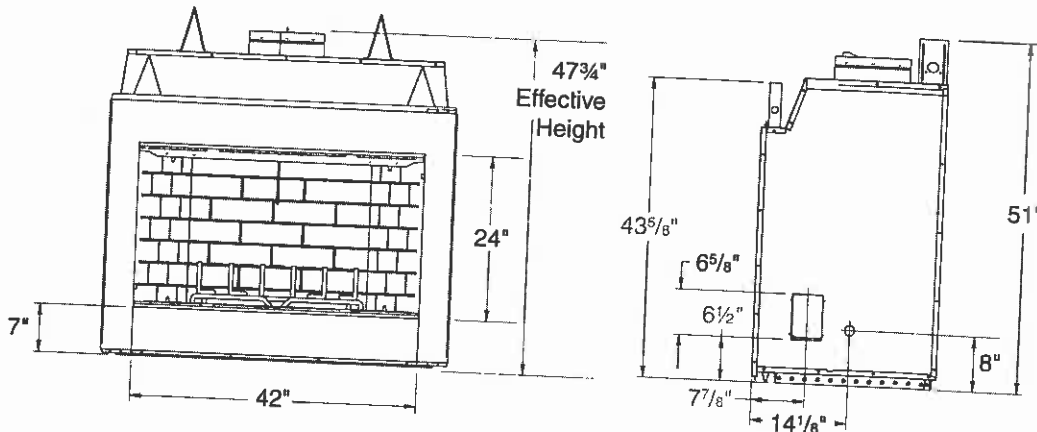
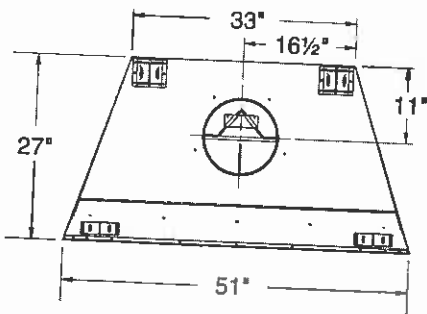
Bi-Fold Glass Doors
DM1342
DM1342B
DM1342S



GR9 Integral Grate



HX4 - Hearth Extension

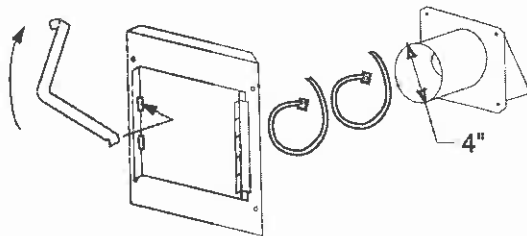


Fireplace Dimensions

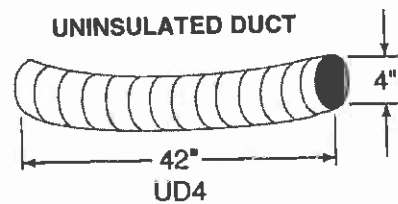
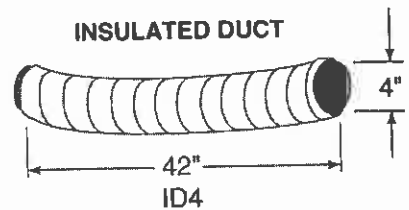
2. Chimney Components

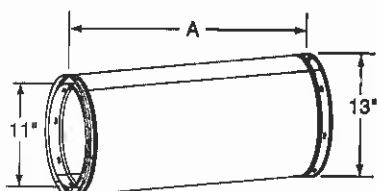
The following pictures show only those chimney components which may be safely used with this fireplace.

Catalog #	Description:
AK14	Outside Air Kit (included with Fireplace)
CAK5A	Chimney Air Kit
ID4	Insulated Duct/Outside Air
UD4	Uninsulated Duct/Outside Air
SL1106	Chimney Section - 6" long
SL1112	Chimney Section - 12" long
SL1118	Chimney Section - 18" long
SL1136	Chimney Section - 36" long
SL1148	Chimney Section - 48" long
SL11	Chimney Stabilizer
SL1130	Chimney Offset/Return - 30°
FS538	Firestop - Straight
FS540	Firestop - 30°
AS10	Straight Attic Insulation Shield, 24"
JB577	Chimney Joint Band
CB576	Chimney Bracket
RF570	Roof Flashing - Flat to 6/12 Pitch
RF571	Roof Flashing - 6/12 to 12/12 Pitch
TR11	Round Termination Cap
TR11T	Round Telescoping Termination Cap
ST1175	Square Termination Cap
CT56	Chase Top
LDS33	Decorative Shroud - 3' x 3'
LDS46	Decorative Shroud - 4' x 6'



AK14 - Outside Air Kit



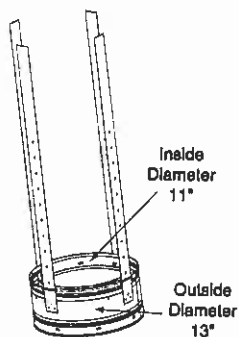


Chimney Sections

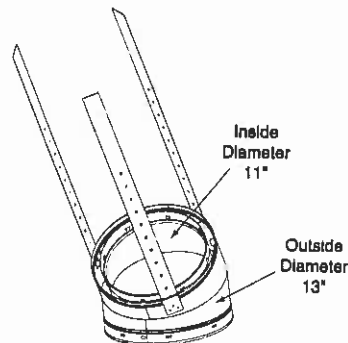
Catalog #	A	B
SL1106	6"	4 $\frac{3}{4}$ "
SL1112	12"	10 $\frac{3}{4}$ "
SL1118	18"	16 $\frac{3}{4}$ "
SL1136	36"	34 $\frac{3}{4}$ "
SL1148	48"	46 $\frac{3}{4}$ "

A = Actual length

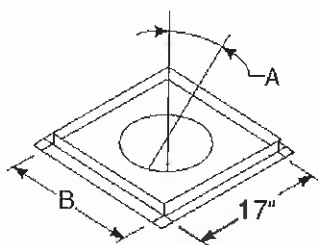
B = Effective length (length of chimney part after it has been snapped to another)



SL11 - Chimney Stabilizer

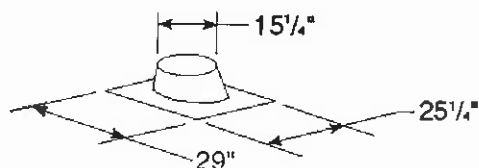


SL1130 - Offset/Return

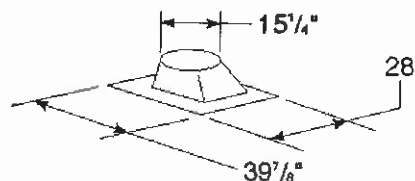


Firestop Spacer

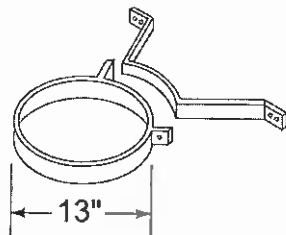
Catalog #	A	B
FS538	0°	17"
FS540	30°	26"



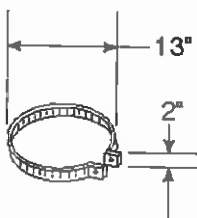
**RF570 - Roof Flashing
Flat to 6/12 Pitch**



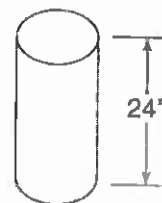
**RF571 - Roof Flashing
6/12 to 12/12 Pitch**



**CB576
Chimney Bracket**



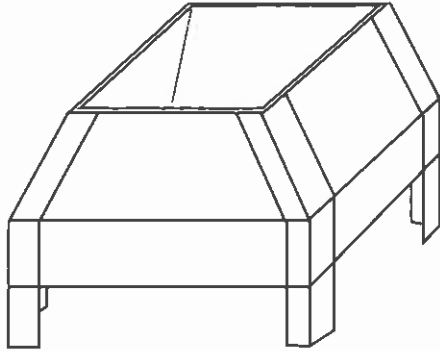
**JB577
Joint Band**



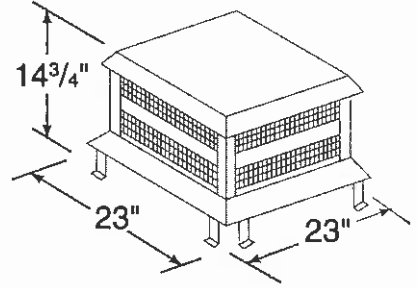
**AS10
Straight Attic
Insulation Shield**

The first name in fireplaces

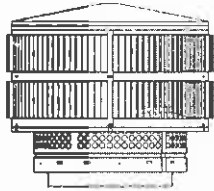
The first name in fireplaces



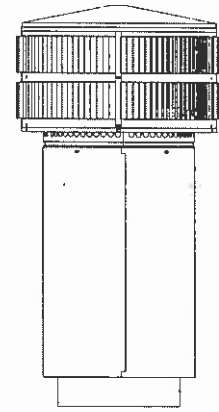
LDS33 (3' x 3')
LDS46 (4' x 6')
Decorative Shroud



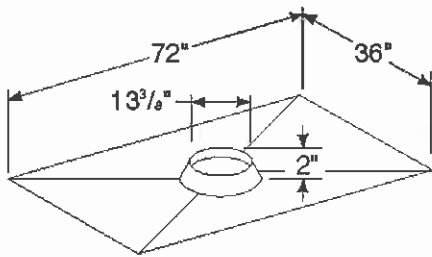
ST1175
Square
Termination Cap



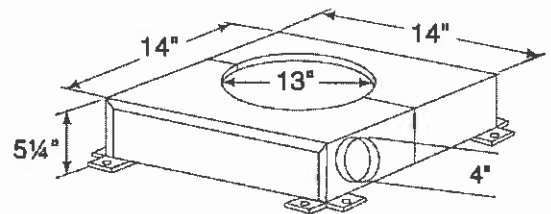
TR11
Round
Termination Cap



TR11T
Round Telescoping
Termination Cap



CT56
Chase Top



CAK5A
Chimney Air Kit