

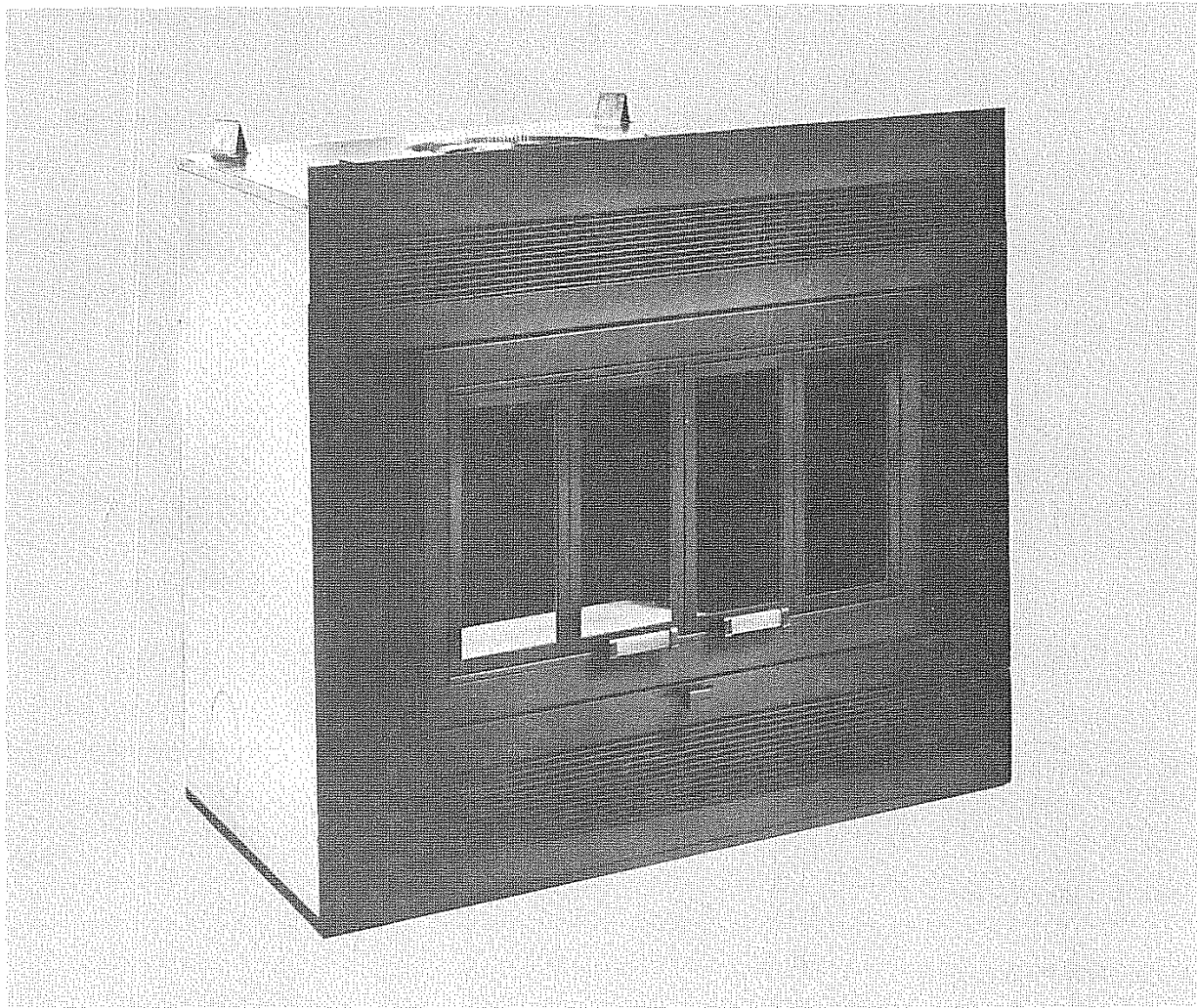
INSTALLATION MANUAL

for the MAJESTIC™
WARM MAJIC



Heat Circulating Fireplace

MODELS: WM36-1, WM36-BRS, WMR36-1, WMR36-BRS



IMPORTANT: Read all instructions carefully before starting installation. Failure to follow these installation instructions may result in a possible fire hazard and will void the MAJESTIC warranty.

Save this manual for future reference.

MAJESTIC
An American-Standard Company

Copyright American Standard Inc. 1980

IDENTIFICATION OF PARTS

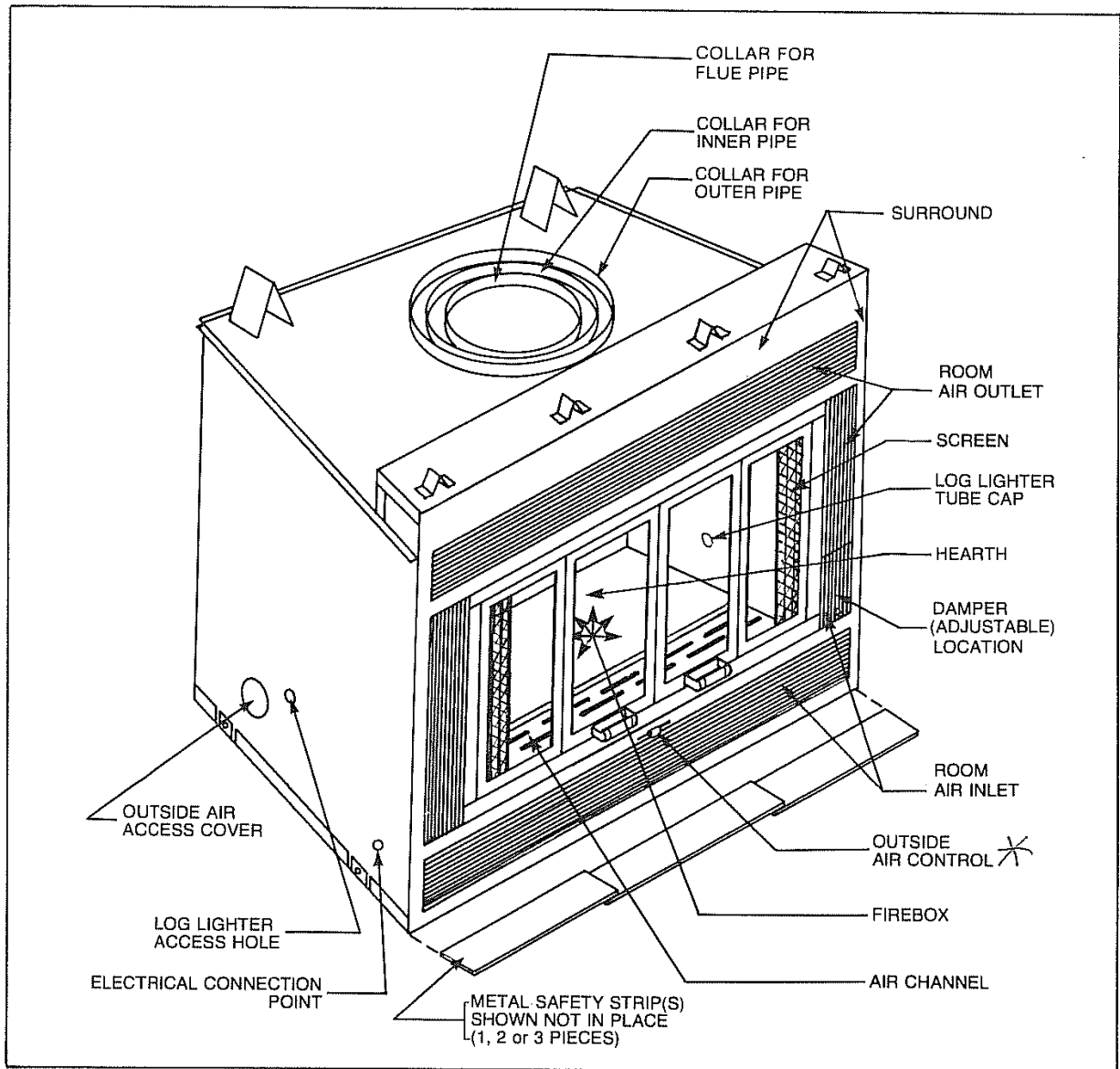


Fig. 1 Parts of the MAJESTIC WM36 fireplace

TABLE OF CONTENTS

| | Page |
|---------------------------|------|
| Identification of Parts | 2 |
| Installation Precautions | 3 |
| Installation Instructions | 3 |
| Reference Data | 13 |
| Accessory Parts | 14 |

** OPEN TO THE RIGHT
AND CLOSED TO THE
LEFT.*

INSTALLATION PRECAUTIONS

This MAJESTIC Fireplace and its components are tested and safe when installed in accordance with this Installation Manual. Read all instructions **before** starting installation, then follow these instructions carefully **during** installation to insure maximum fireplace benefit and safety.

Since this fireplace and chimney assembly is a highly engineered system, **unless** you use Majestic components* which have been designed for the system, you may possibly cause a fire hazard. **If you modify any MAJESTIC component, or use other components, the MAJESTIC warranty will be void and such action may void coverage provided by the owner's home insurance.**

Consult your local building codes.

This fireplace and chimney system must be vented out-of-doors.

Do not obstruct or modify air inlet/outlet grilles in any manner.

If this fireplace and chimney system is installed in a mobile home it must be installed in accordance with the MH8-C or MH8-CP installation instructions shipped with the MH8-C or MH8-CP Chimney Kit.

Prior to first firing, read Owner's Manual for operating instructions.

*(except for chase flashings as detailed in MAJESTIC Chimney Top installation instructions.)

INSTALLATION INSTRUCTIONS

A. Installing the Fireplace

A-1. CHECK HOW ACCESSORIES ARE INSTALLED

Determine where selected accessories fit into this fireplace installation procedure by checking the installation instructions provided with each accessory. See *Accessory Parts*, page 14.

A-2. DETERMINE FIREPLACE LOCATION

The MAJESTIC WM Fireplace can be mounted on a combustible (burnable) surface. The surface must be flat, hard and have sufficient area to support the entire base of the fireplace uniformly. Do not support the fireplace at just a few points. The surface may be a raised wooden platform.

The fireplace may be placed against a combustible wall without providing any clearance between the fireplace and the combustible material. Nearby combustible floors and walls must be protected as detailed on page 12.

Refer to *Clearance Data* on page 13 and *Framing Data* on page 13 to be sure that the location which you have selected for your fireplace provides for clearance and framing restrictions.

At this point you should have decided what components to include in your installation, where the fireplace is to be located, and how the chimney will be routed to the roof, (straight-up, offset, or chase*). If this has not been done, stop and consult your Majestic Dealer for assistance with this planning.

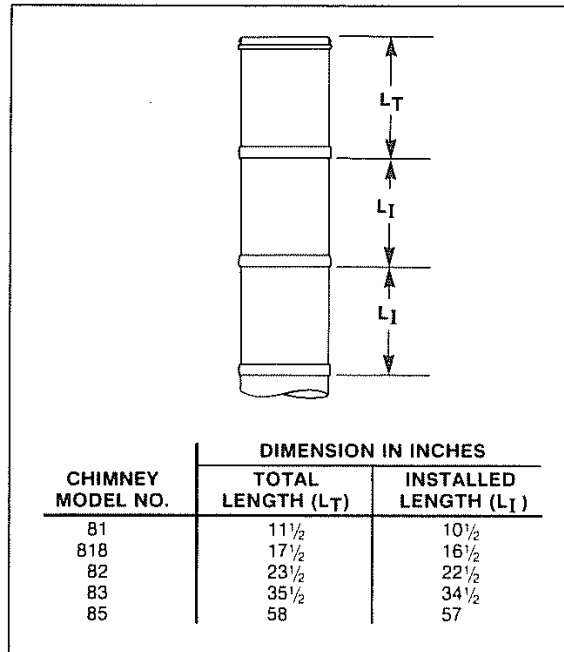


Fig. 2. Installed lengths of chimney sections.

Note that the installed length of any chimney section is less than its total length, (except for the last section installed), because of its overlap at joints. (See Fig. 2).

A-3. INSTALL METAL SAFETY STRIPS UNDER FIREPLACE

Thoroughly clean intended fireplace location area. Move fireplace to the exact location where it is going to be installed. Lift fireplace front slightly to slide furnished metal safety strip(s) under front bottom edge about 1½ inches, allowing the remainder to extend out in front of the fireplace. Overlap the strips at least ½ inch to provide a positive joint. (See Fig. 3).

*A chase is a vertical box-like structure which encloses the fireplace and/or its chimney, typically built on the outside of the house with the fireplace opening cut in the outer wall of the house.

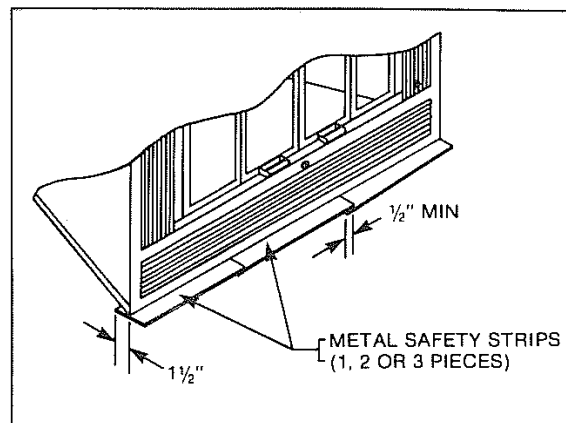


Fig. 3. Install metal strip(s) under front of fireplace.

□ A-4. ANCHOR FIREPLACE IN POSITION

To prevent shifting of the fireplace and to maintain sealing, (described later), anchor the fireplace to the floor. Turn down the four fastening tabs located along the sides of the base pan and nail them to the floor. (See Fig. 4.)

B. Installing the Chimney

□ B-1. LOCATE CENTERPOINT OF CHIMNEY – STRAIGHT UP INSTALLATION

If the fireplace is positioned against the wall behind it, measure out 12½ inches from this back wall and make a mark on the ceiling above the fireplace. Draw a line through this mark parallel to the back wall, defining the centerline of the chimney. (See Fig. 5). Then using a plumb bob positioned directly over the imaginary centerpoint of the fireplace flue collar, mark the ceiling to establish the chimney centerpoint. (See Fig. 5).

□ B-2. LOCATE CENTERPOINT OF CHIMNEY – OFFSET INSTALLATION

In order to clear an obstruction it may be necessary to offset the chimney from the vertical plane. This is done by using MAJESTIC CHIMNEY ELBOWS: Models 815 (15°) and 830 (30°). Each offset requires a pair of elbows. Use Table 1 and Fig. 6 to determine the offset that may be obtained using the 815 and 830 elbows.

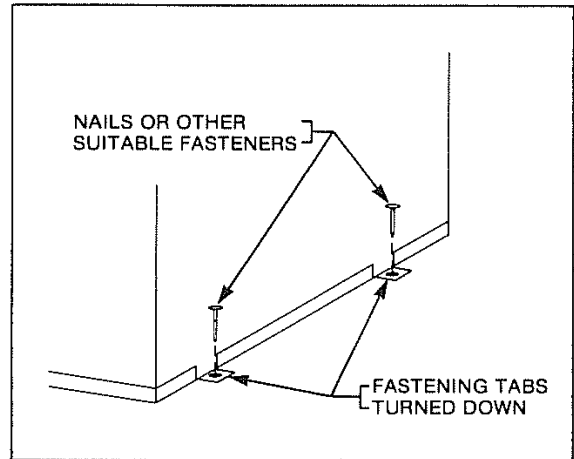


Fig. 4. Fasten fireplace in position using the four fastening tabs.

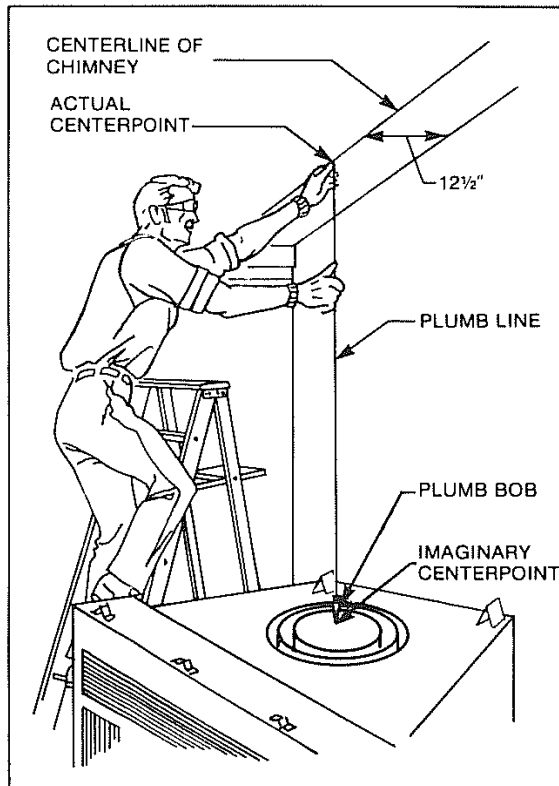


Fig. 5. Locate center point of chimney with plumb line.

Table 1. Offset dimensions

| | DIMENSIONS | | | |
|----------------------------|------------|--------|--------|--------|
| | T | | S | |
| | 815 | 830 | 815 | 830 |
| No Intermediate Section | 0'2½" | 0'5" | 1'4¾" | 1'7½" |
| One 1' Section | 0'5¼" | 0'10¾" | 2'2¾" | 2'4½" |
| One 1½' Section | 0'6¾" | 1'1¼" | 2'8¾" | 2'9¾" |
| One 2' Section | 0'8½" | 1'4¼" | 3'2½" | 3'3" |
| One 1' and One 1½' Section | 0'9½" | 1'6½" | 3'6¾" | 3'6¾" |
| One 3' Section | 0'11½" | 1'10¼" | 4'2" | 4'1¼" |
| One 2' and One 1½' Section | 1'¾" | 2'½" | 4'6½" | 4'5¼" |
| Two 2' Sections | 1'2½" | 2'3½" | 5'¼" | 4'10½" |
| One 3' and One 1½' Section | 1'3¾" | 2'6½" | 5'6" | 5'3½" |
| One 3' and One 2' Section | 1'5¼" | 2'9½" | 5'11¾" | 5'8¾" |
| Two 2' and One 1½' Section | 1'6½" | 2'11¾" | 6'4¼" | 6'¾" |
| Two 3' Sections | 1'8½" | 3'3½" | 6'11½" | 6'7¼" |

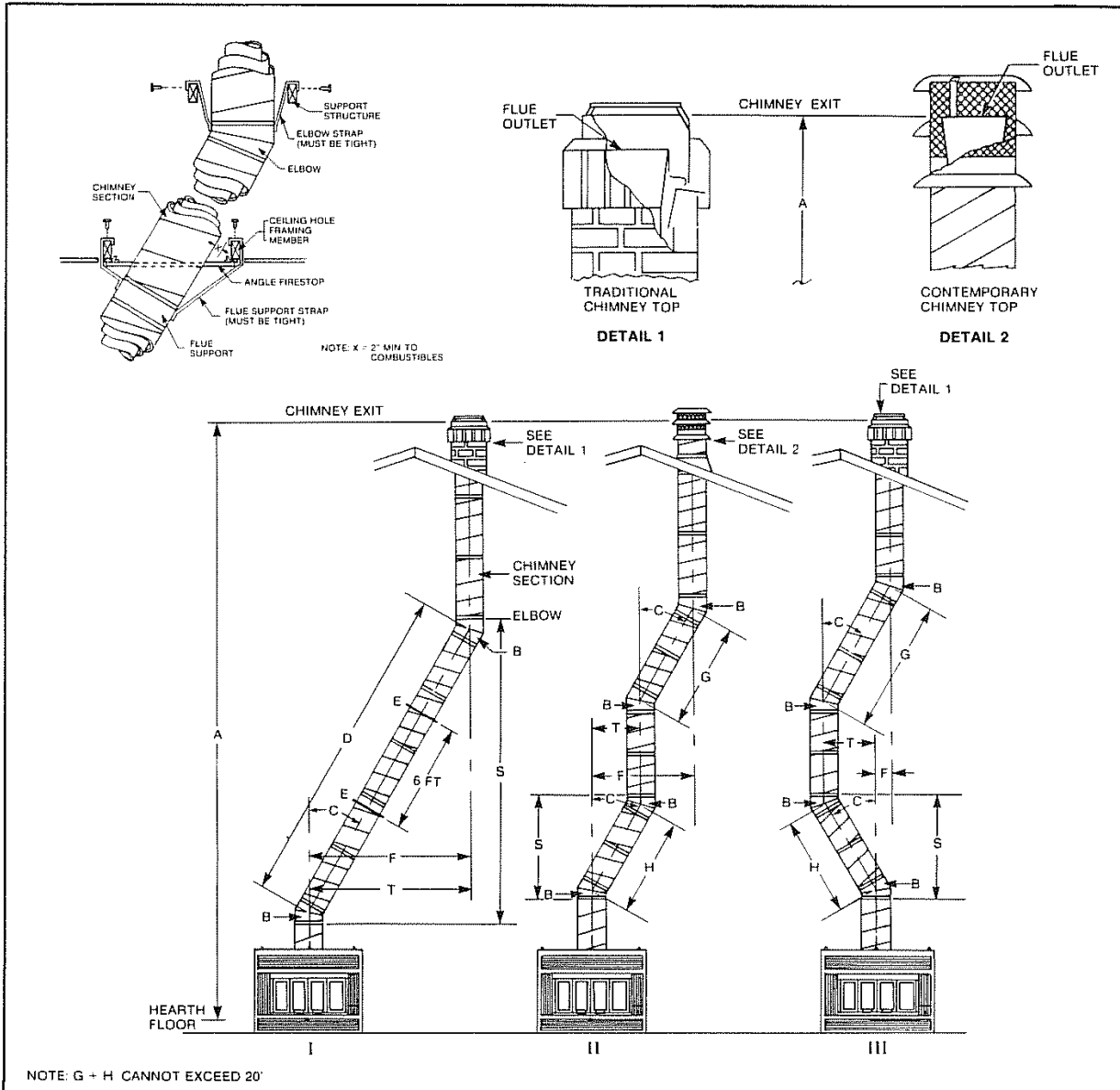


Fig. 6. Typical offset installations.

The following **safety rules** apply to offset installations. (The letters below match the letters in Fig. 6).

A. Height of the chimney measured from the hearth to the chimney exit at top:

| |
|---|
| Maximum — 90 feet |
| Minimum — 10 feet 6 inches without elbows |
| 12 feet 6 inches with two elbows |
| 28 feet 0 inches with four elbows |

B. Do not use more than four elbows per chimney. Attach the straps of all elbows to a structural framing member, except the first elbow installed on the fireplace. If four elbows are used, the first pair of elbows must be separated from the second pair of elbows by a minimum of one vertical foot.

C. The chimney cannot be more than 30° from the vertical plane.

D. The maximum length of the angled run of the total chimney system is 20 feet. (G plus H cannot exceed 20 feet.)

E. A chimney support (Model TCS8) is required every 6 feet of angled run of chimney. Chimney supports are required at 45 feet and 75 feet of chimney height above the hearth also.

Determine the offset distance of your chimney arrangement from the centerline of the fireplace to the centerline of the chimney where it is to pass through the first ceiling. NOTE: This offset distance may not be your full offset distance (T).

Locate on the ceiling the centerpoint of the chimney, as though a straight up chimney arrangement is to be used, by following the procedure outlined in Step B-1. Then measure your offset dimension from the straight up chimney centerpoint on the ceiling. (See Fig. 7.)

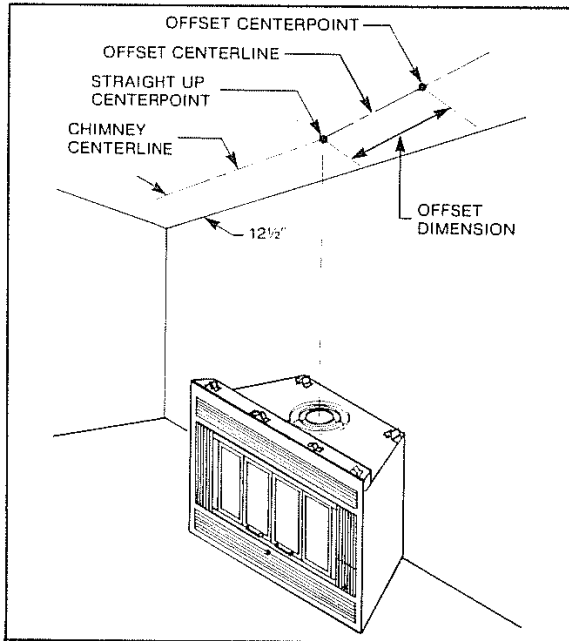


Fig. 7. Measure first ceiling offset distance from straight up centerpoint.

B-3. MARK AREA OF CEILING CHIMNEY HOLE

The size of the ceiling chimney hole will vary with the angle at which the chimney passes through the ceiling. Refer to Table 2.

Drive a nail up through the ceiling at the marked chimney centerpoint. Go to the floor above and check where the hole will be cut, relative to the ceiling joists and any obstructions such as wiring or plumbing runs. If necessary, re-position the chimney and/or the fireplace to better accommodate these joists and/or obstructions.

B-4. CUT CEILING CHIMNEY HOLE

After covering the opening of the fireplace collar, cut the chimney hole through the ceiling. Recheck the hole to be sure that it measures the hole size selected from Table 2.

B-5. FRAME CEILING CHIMNEY HOLE

Frame the ceiling chimney hole as shown in Fig. 8. It is good practice to use framing lumber that is the same size as the ceiling joists. (This is a requirement at the attic level).

The **inside dimensions** of the frame **must** be the same as the hole size selected from Table 2 in order to provide the required 2-inch clearance between the outside diameter of the chimney and the edges of the framed ceiling hole.

Table 2. Sizes of Ceiling chimney hole.

| Size of Chimney | Angle of chimney at ceiling | | |
|-----------------|-----------------------------|-----------|-----------|
| | Vertical | 15° | 30° |
| 8" flue | 17½ x 17½ | 17⅞ x 22½ | 17⅞ x 29⅞ |

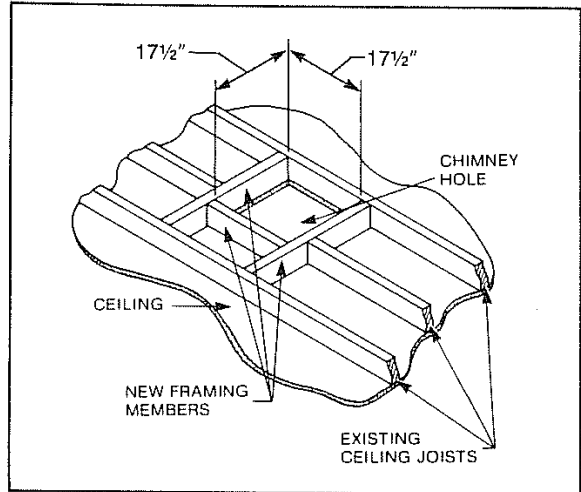


Fig. 8. Typical frame for ceiling chimney hole.

B-6. INSTALL FIRESTOP SPACER

Firestop spacers are required for safety. The hole sizes listed in Table 3 for angled firestop spacers provide the minimum required clearances to the chimney pipe for ceiling thicknesses up to 8 inches. When the combined thickness of the ceiling material, ceiling joists and flooring material exceeds 8 inches, adjustments must be made in the framing to assure that the minimum clearances to the chimney are maintained.

If the area above the ceiling is **not** an attic, position the firestop spacer with the flange on the ceiling side and the dished or angled portion extending up into the hole. If the area above the ceiling is an attic, position the firestop spacer with the flange on the top of the framed hole and the dished or angled portion extending down into the hole. (See Figs. 9 & 10).

Nail each corner of the firestop spacer to the framing members of the ceiling hole. **NOTE:** A firestop spacer is not required at the roof.

Table 3. Firestop model numbers.

| TYPE FLUE | MODEL NO. | TYPE OF SPACER |
|-----------------|-----------|----------------|
| 8" straight | FS2A | Dished |
| 8" 15° inclined | FS9A | Angled |
| 8" 30° inclined | FS6A | Angled |

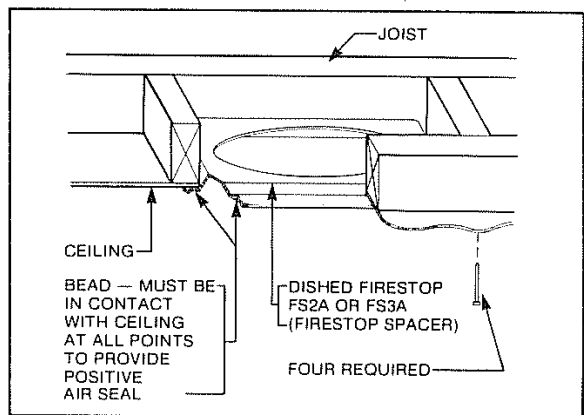


Fig. 9. Position of firestop when area above ceiling is not an attic.

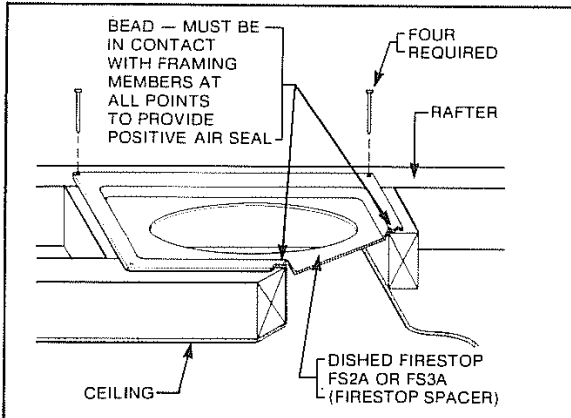


Fig. 10. Position of firestop when area above ceiling is an attic.

□ B-7. ATTACH CHIMNEY SECTIONS

Attach the first straight chimney section to the fireplace collar, or elbow if offset installation, (refer Step B-8). Mount the flue pipe first, using the built-in snap-lock fasteners. (See Fig. 11). Then mount the inner pipe and finally the outer pipe. Position each pipe section so the direction arrow is pointing UP. **Make sure each pipe is firmly snapped and locked together as it is mounted.**

Continue installing chimney sections until ONE SECTION (all three pipes) extends up through the ceiling hole. To extend through the ceiling, it may be

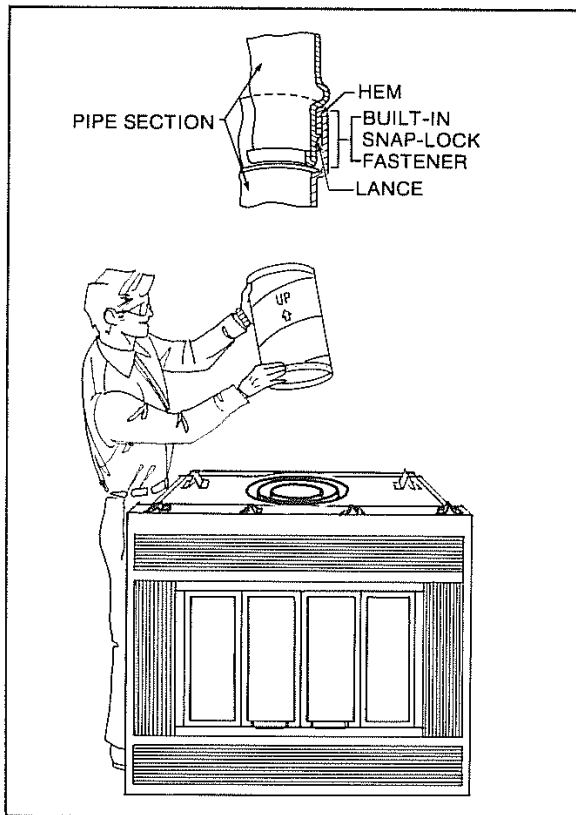


Fig. 11. Use built-in snap-lock fasteners to attach chimney pipe sections.

necessary to assemble all three pipes, push them up through the ceiling hole and then slide them down one at a time to connect them.

□ B-8. ATTACH FIRST ELBOW — OFFSET INSTALLATION

If the first elbow is not to be attached to the fireplace, install chimney sections as required.

Attach first elbow where required. Note that only the outer pipe snap-locks. The flue and inner pipe telescope. (See Fig. 12).

Attach the straps of all elbows to a structural framing member. However, the straps for an elbow installed directly on the fireplace collar do not have to be attached.

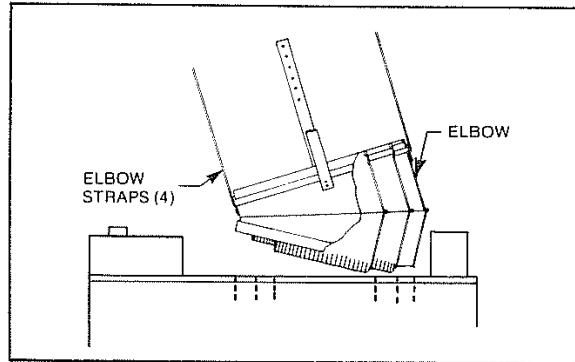


Fig. 12. Attach one-piece elbow to fireplace collar or chimney section.

□ B-9. DETERMINE HOW MANY CHIMNEY SUPPORTS ARE NEEDED

The chimney system is supported by the fireplace for chimney heights less than 45 feet of vertical height above the hearth. Chimney supports are required if the chimney height exceeds 45 feet. Additional supports must be provided again at 75 feet of vertical chimney height. Locate chimney supports at the ceiling holes or other structural framing at the 45 foot and 75 foot heights. Spacing between chimney supports must not exceed 30 feet. Use MAJESTIC Chimney Support Model TCS8. Support provided by elbow straps fulfills the support requirement only if they are spaced as required above.

Angled chimney runs require support every 6 feet in addition to the elbow straps. MAJESTIC Chimney Supports are used for this function.

Refer to Step B-2 to determine how many chimney supports are needed and where they will be placed in the chimney run.

NOTE: A chimney support is 3 inches long when installed. This dimension must be considered when determining how many straight chimney sections are needed to provide the desired offset.

□ B-10. INSTALL CHIMNEY SUPPORTS

Chimney supports are attached to chimney sections the same way elbows are attached. Refer to Step B-7. Nail the chimney support straps to adjacent structural framing, as shown in Fig. 13. Bend the straps as necessary and make sure they are tight so they will be able to support the weight of the chimney.

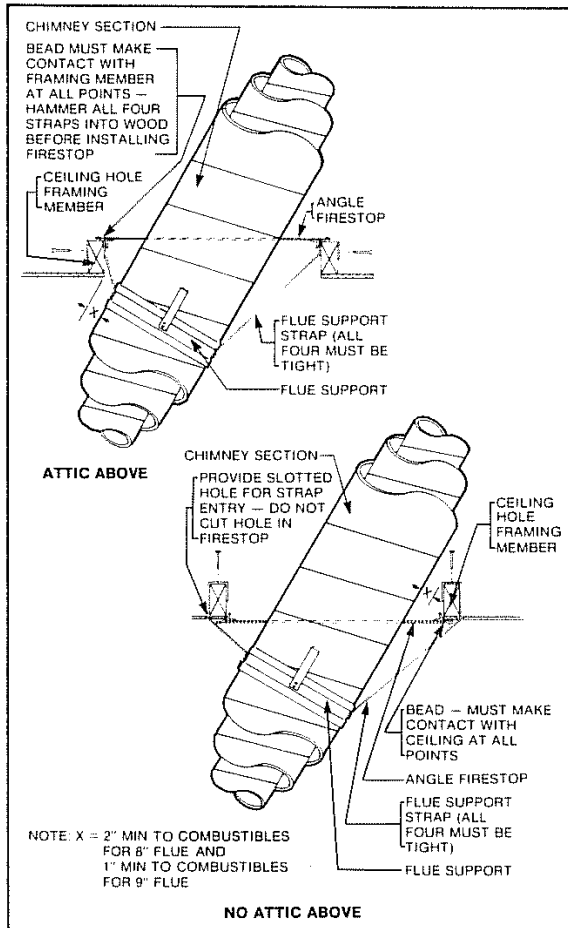


Fig. 13. Mount flue supports at ceiling hole frames or other structural framing.

B-11. LOCATE CENTERPOINT OF NEXT CEILING HOLE

NOTE: If there is no other ceiling, you have completed Section B. Turn now to Section C, *Penetrating the Roof*.

In a manner similar to that used in Steps B-1 and B-2, mark the centerpoint of the next ceiling hole.

B-12. PREPARE SECOND CEILING HOLE

Repeat Steps B-3, Mark area of ceiling chimney hole; B-4, Cut ceiling chimney hole; B-5, Frame ceiling chimney hole; and B-6, Install firestop spacer.

B-13. CONTINUE INSTALLING CHIMNEY SECTIONS

Continue installing chimney sections and chimney supports, (as required), until the chimney passes through the second ceiling hole.

NOTE: Repeat Steps B-11 through B-13 as many times as necessary to pass through all the ceilings in the building and bring the chimney just short of the roof.

C. Penetrating the Roof

NOTE: If you are using a chase, go to Section D.

The chimney system must be vented out-of-doors and must be terminated in an approved MAJESTIC Top Housing or Termination.

C-1. LOCATE CHIMNEY CENTERPOINT AT ROOF

Use the same procedure detailed in Steps B-1 and B-2.

Drive a nail up through the roof at the marked centerpoint. This will mark the centerpoint on the outside of the roof.

C-2. CUT AND FRAME ROOF HOLE

The size of the roof hole varies with the type of chimney top that will be installed. Refer to the installation instructions provided with your MAJESTIC chimney Top Housing or Termination to find the correct size of roof hole for this installation. **There must be at least 2-inch clearance between the outermost portion of the chimney section and any adjacent combustible (burnable) surfaces. (Combustible surfaces include such things as ceiling members, joists, flooring, combustible insulation and roof structures).**

Mark the outline of the roof hole around the centerpoint nail. **Note:** The hole dimensions given in the chimney top installation instructions are **horizontal** dimensions; therefore, the hole size must be marked on the roof accordingly.

Cover the opening of the installed chimney.

Cut and frame the hole. It is good practice to use framing lumber that is the same size as the rafters. **Install frame securely. Chimney top and flashing anchored to frame must withstand heavy winds.**

C-3. DETERMINE MINIMUM CHIMNEY HEIGHT ABOVE ROOF.

Major U.S. building codes specify minimum chimney height above the roof top. These specifications are summarized in the *Ten Foot Rule*. (See Fig. 14). The key points of this rule are:

1. If the horizontal distance from the center of the chimney to the peak of the roof is 10 feet or less, the top of the chimney must be at least 2 feet above the peak of the roof but never less than 3 feet in height above the highest point where it passes through the roof.
2. If a horizontal distance from the center of the chimney to the peak of the roof is more than 10 feet, a chimney height reference point is established that is on the surface of the roof a distance of 10 feet from the center of the chimney in a horizontal plane. (See Fig. 14). The top of the chimney must be at least 2 feet above this reference point, but never less than 3 feet in height above the highest point where it passes through the roof.

These chimney heights are necessary in the interest of safety and do not assure a smoke-free operation.

C-4. INSTALL REMAINDER OF CHIMNEY SECTIONS

Continue installing chimney sections up through the roof hole. Check your chimney top installation instructions for data on how high above the rooftop the CHIMNEY SECTIONS (all three pipes) should go.

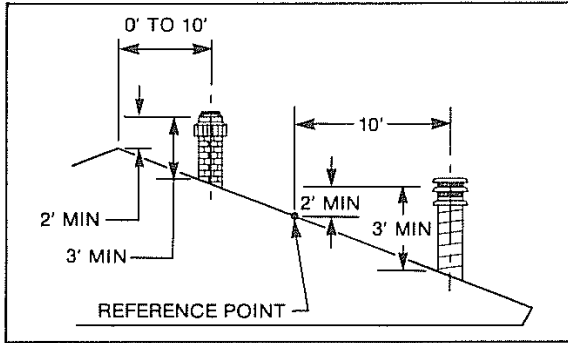


Fig. 14. Ten foot rule for chimney height.

□ C-5. INSTALL CHIMNEY TOP HOUSING OR TERMINATION

Follow the installation instructions provided with the MAJESTIC chimney top you have selected. Then proceed to *Framing and Finishing* on page 11.

D. Installing Chimney in a Chase

A chase is a vertical box-like structure built to enclose the fireplace and/or its chimney.

CAUTION: Treatment of firestop spacers and construction of the chase may vary with the type of building. These instructions are not substitutes for the requirements of local building codes. Therefore, your local building codes must be checked to determine the requirements for these steps.

NOTE: Other material may be required in addition to MAJESTIC Firestop Spacers.

When installing a Warm Magic fireplace in a chase, it is always good building practice to **insulate the chimney chase as you would an outside wall of your home**. This will greatly reduce outside air from entering the room in which the fireplace is located and will also prevent a cold fireplace surround.

Refer to *Framing and Finishing* on page 11. Upon completion of building your chase frame, install the chimney system. Follow the instructions for *Installing the chimney* starting on page 4. Then proceed to Step D-1.

□ D-1. INSTALL FLASHING AND CHIMNEY TOP

Follow the installation instruction provided with the MAJESTIC chimney top you have selected.

Then proceed to *Framing and Finishing*, Step G-1.

E. Installing the Outside Air System

Through this system, outside air is drawn into the fireplace where it supplies the necessary air for combustion, virtually eliminating the need of room air for combustion purposes.

(If the Outside Air System will not be used, go on to Step E-5).

□ E-1. PLANNING THE INSTALLATION

Plan the location of the two duct terminations of the Outside Air System, and plan the path of the interconnecting duct. Two 16-inch sections of flexible duct are included with the fireplace. They will assist in easy installation of the duct. If additional duct is required, 4-inch diameter straight duct and elbows

may be added, or additional flexible duct may be purchased to complete the installation.

Duct length is limited to a **total** of twenty feet with vertical height limited to three feet less than the flue termination height. For typical duct installations, see Fig. 15.

The duct termination may be installed in an outside wall, in an attic space or a crawl space. If the termination is in an attic or crawl space, the area must allow a minimum of 100 square inches of **unrestricted** ventilation opening. The termination must be installed to avoid blockage from dirt or insulation. If installed on an outside wall, the termination should be located so it will not become blocked by shrubs or drifting snow.

CAUTION: Do not install termination into a garage or other area that could contain flammable liquids or fumes.

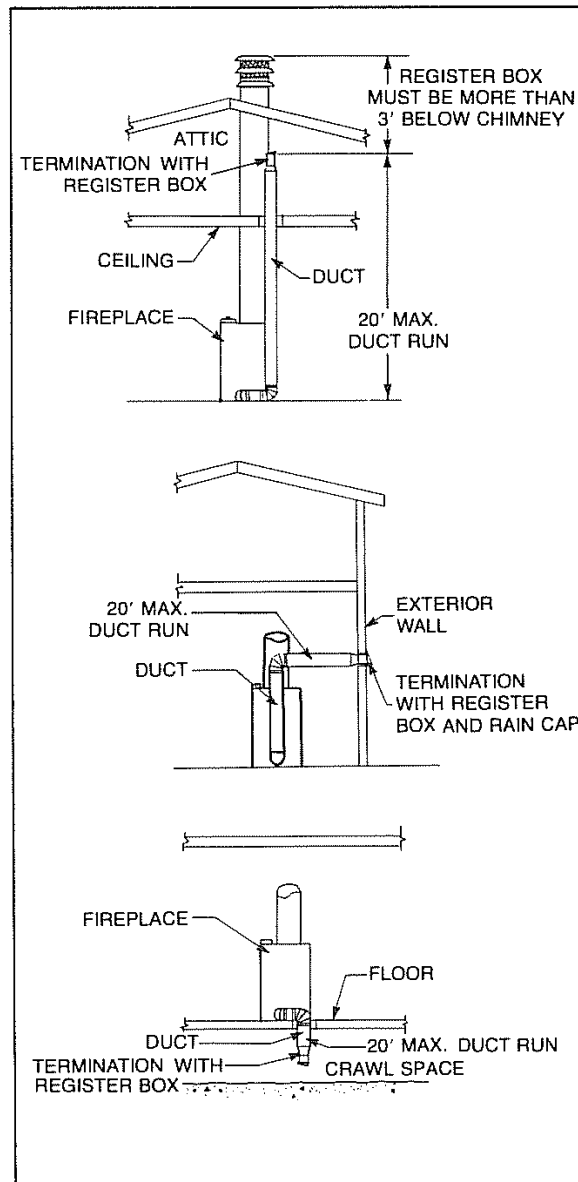


Fig. 15. Typical duct installations.

□ E-2. INSTALL THE TERMINATIONS

The termination for attic installation should be supported in convenient manner and in a position where the termination cannot become clogged with dirt or insulation.

For an outside wall installation, locate the centerpoint of the penetration and draw a circle approximately 4½ inch in diameter for each penetration. Cut the marked hole. Put a bead of caulking around the hole, install the termination through the wall and attach with small screws or nails.

□ E-3. INSTALL DUCT CONNECTION COLLARS TO FIREPLACE

Remove the screw retaining the "flap" inside the fireplace and install the Connection Collar with three screws provided. See Fig. 16.

□ E-4. INSTALL DUCTING

Install the duct to connect the fireplace Connection Collars and the Terminations. Be sure to follow the guidelines in Step E-1. Flexible duct, straight smooth duct and elbows, or a combination of the two may be used. Secure each duct joint with three equally-spaced sheet metal screws.

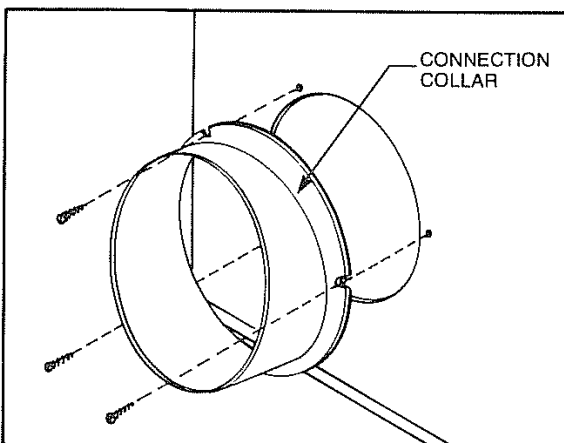


Fig. 16. Install Connection Collars.

□ E-5. REMOVE ROOM AIR PANEL — OUTSIDE AIR SYSTEM NOT USED

If the Outside Air System is **NOT** going to be used, the Room Air Panel **must be removed**.

Remove the bottom grille by removing the screws at each end. Then remove the Room Air Panels from the left and right sides of the fireplace. See Fig. 17. These panels may be discarded. Do not re-install the grille at this time.

F. Electrical Connection to the Fireplace

NOTE: Electrical connections must be made by a licensed electrical technician or electrician.

□ F-1. RUN 115V POWER TO THE FIREPLACE

115V electrical power must be connected to the fireplace at the time of installation. Remove the lower front grille of the fireplace by removing the six screws retaining it (Figure 17). A Philips Head screwdriver 3/16"

diameter or less is required to reach the screws through the bars of the grille.

Run electrical wiring to the electrical junction box on the left side of the fireplace. The cover plate may be removed from inside the lower grille area by removing the two Philips Head screws. Wiring should be #14 gauge copper wire or heavier and must comply with all local electrical codes. Wiring not run in conduit must be connected to the electrical box with a cable connector.

□ F-2. CONNECT OUTLET

Connect the incoming power leads to the white and black leads of the receptacle. The ground wire must be attached under the green grounding screw on the cover plate. See Figure 18 for details. Reinstall the electrical box cover plate and receptacle.

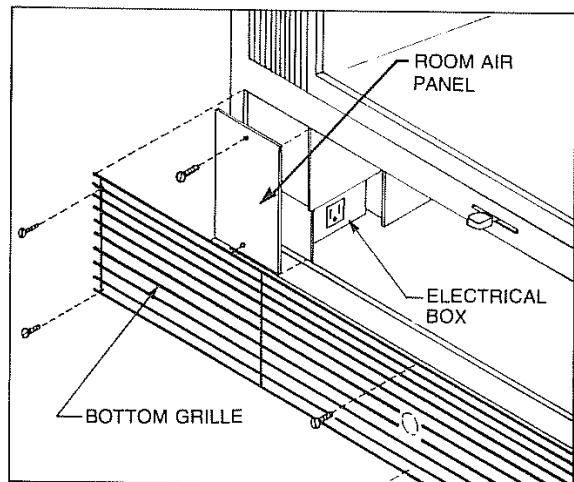


Fig. 17. Remove bottom grille.

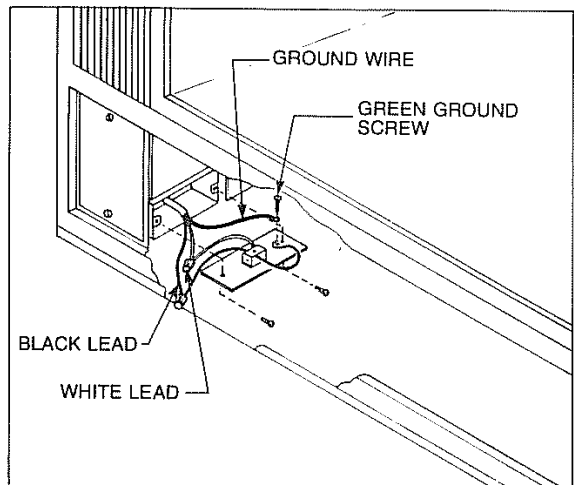


Fig. 18. Run wiring through hole in outer casing and connect to the receptacle.

□ F-3 RE-INSTALL LOWER FRONT FIREPLACE GRILLE (UNLESS FAN IS BEING INSTALLED)

Re-install the lower front grille of the fireplace at this time, unless the WFK Fan Kit is to be installed. If it is to be installed, refer to WFK installation instructions.

G. Framing and Finishing

□ G-1. DETERMINE WHEN TO INSTALL FRAMING

Fireplace framing can be built before or after the fireplace is set in place. Fig. 19 shows the minimum framing dimensions.

□ G-2. BUILD FRAMING

The fireplace framing should be constructed of 2 x 4 lumber or heavier. Refer to *FRAMING DATA* on page 14 for basic fireplace dimensions that will affect the framing dimensions.

The header may rest on the fireplace standoffs, (V-angles on the front ledge of the fireplace), but must NOT be notched to fit around them.

Framing should be positioned to accommodate wall covering and fireplace facing material. See Figs. 20 & 21 for typical arrangements.

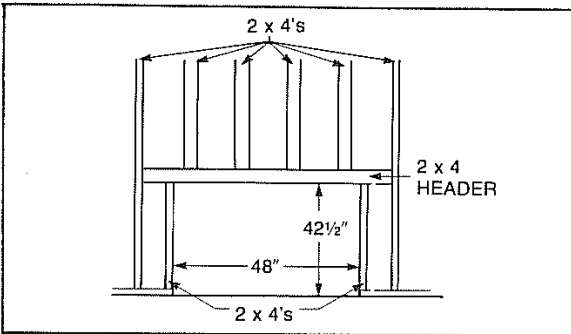


Fig. 19. Dimensions of fireplace opening.

CAUTION: All joints between the finished wall and the fireplace surround (top and sides) must be sealed with non-combustible material. Only non-combustible material may be applied as facing to the fireplace surround.

□ G-3. FINISH WALL

Finish the wall with material of your choice. **Do not install a combustible mantel or other combustible projection less than 12 inches above the outlet grille.** If a combustible material is used, consult your local building codes for the minimum clearance from the top of the fireplace opening to the bottom of the mantel.

All joints, (top, bottom and sides), where the wall or decorative facing material meet the fireplace surround must be completely sealed using a non-combustible material. See Figs. 21 and 22.

When finishing the fireplace, never obstruct or modify the air inlet/outlet grilles in any manner. Do not install decorative facing in a manner which would prevent grille removal. The grilles must remain fastened to the fireplace surround as they are shipped from MAJESTIC except when they need to be removed for maintenance or installation of accessories.

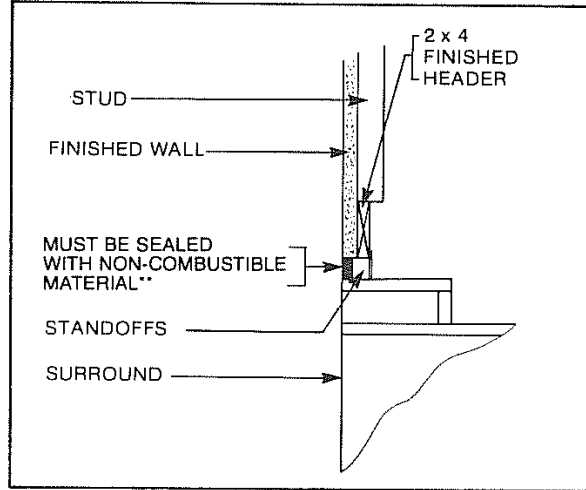


Fig. 20. Fireplace surround flush with finished wall.

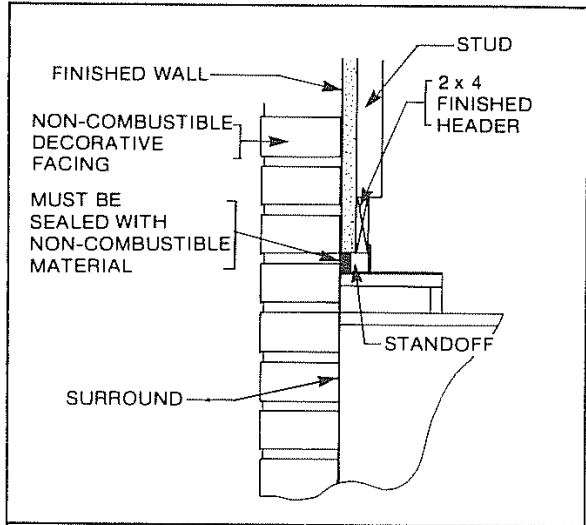


Fig. 21. Fireplace surround flush with finished wall.

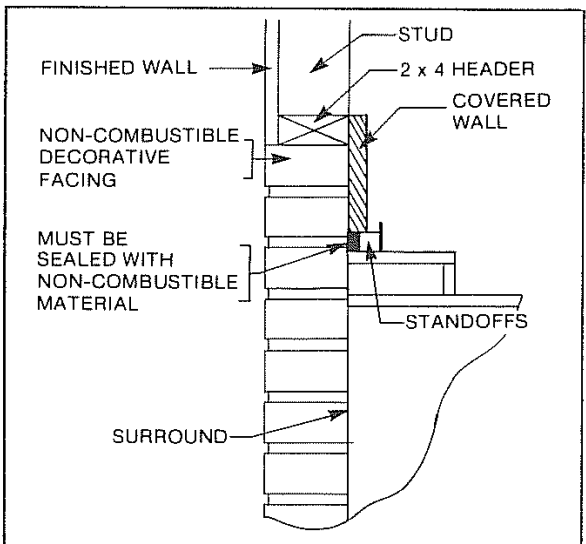


Fig. 22 Facing on fireplace surround flush with finished wall.

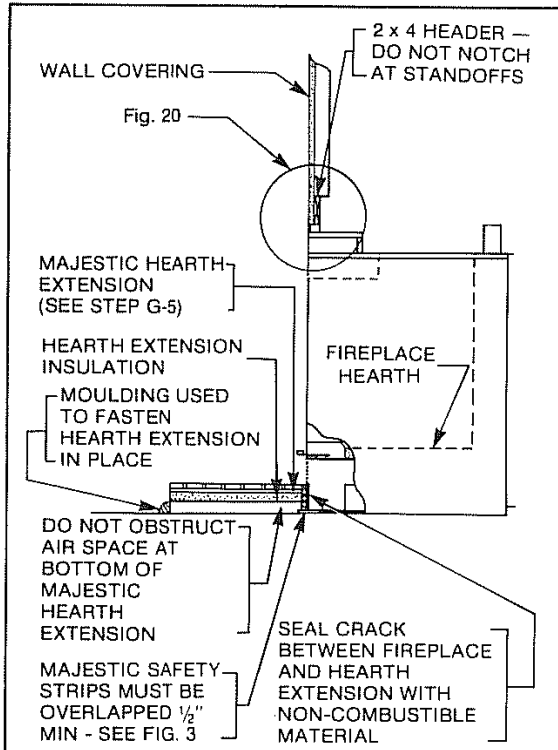


Fig. 23. Sealing detail.

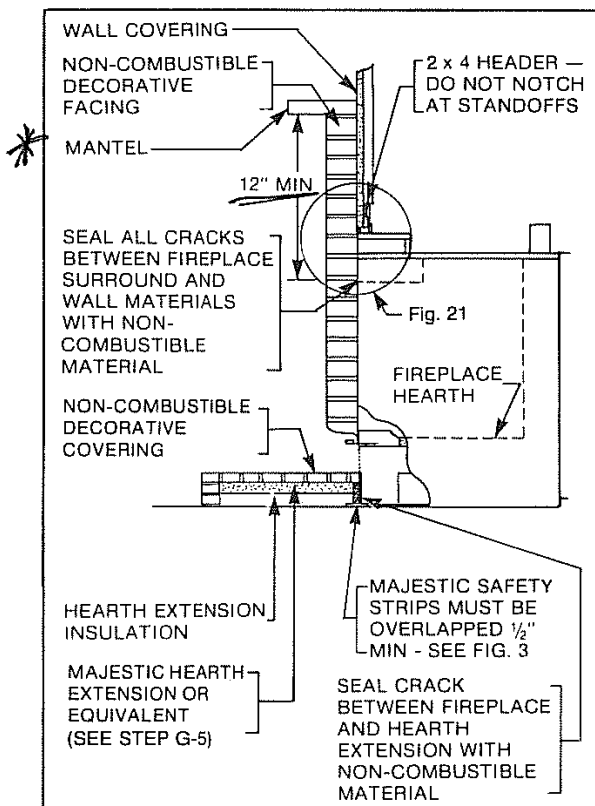


Fig. 24. Sealing detail.

G-4. ADD PROTECTION TO SIDE WALLS

Adjacent combustible side walls that are within 24" inches of the fireplace opening must be protected with MAJESTIC Wall shield Model SP40 or Majestic specifications 74-10-102A. See Fig. 25.

Contact the Majestic Company, Huntington, Indiana 46750, Attention: Director of Customer Service for specifications for use in determining equivalent design.

NOTE: For fireplaces installed at 45° to two sidewalls, (corner installation), no side wall protection is required.

G-5. INSTALL HEARTH EXTENSION

A hearth extension is required to protect combustible floor construction in front of the fireplace and may be of 3/8" asbestos millboard, covered with a Rigid decorative non-combustible material or equivalent*.

*Contact the Majestic Company, Huntington, Indiana 46750, Attention: Director of Customer Service for specifications for use in determining equivalent design.

Secure the hearth extension to the floor to prevent shifting. **Seal the crack between the fireplace hearth and the hearth extension with a non-combustible material.** See Figs. 23 and 24.

NOTE: Finished height of hearth extension not to exceed 2 11/16 in height, above bottom of fireplace.

G-6. INSTALL GAS LOG LIGHTER

The MAJESTIC Warm Magic fireplace is designed to accept a 1/2 inch gas line for a gas log lighter. Have the gas log lighter installed by a qualified plumber in accordance with all building codes. Find the log light tube cap located on the side of the fireplace and remove it. Then forcefully push out the internal metal plug on the firebox side, using a probe or a piece of iron pipe. Insert the 1/2 inch gas line pipe from outside the fireplace, through the log lighter tube. The inner-wall fireplace insulation is designed to self-seal the space around the gas line. See Fig. 26.

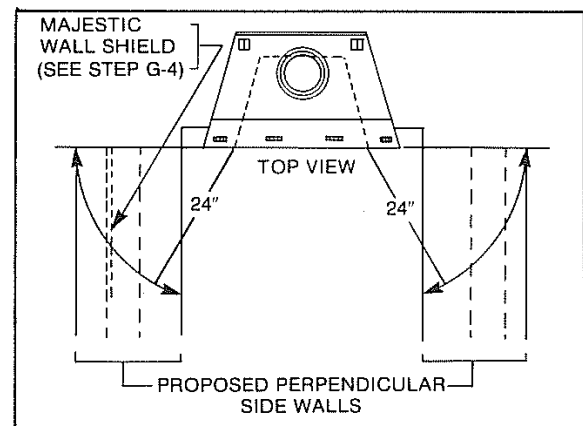


Fig. 25. Protect adjacent combustible side walls with Wall Shield(s).

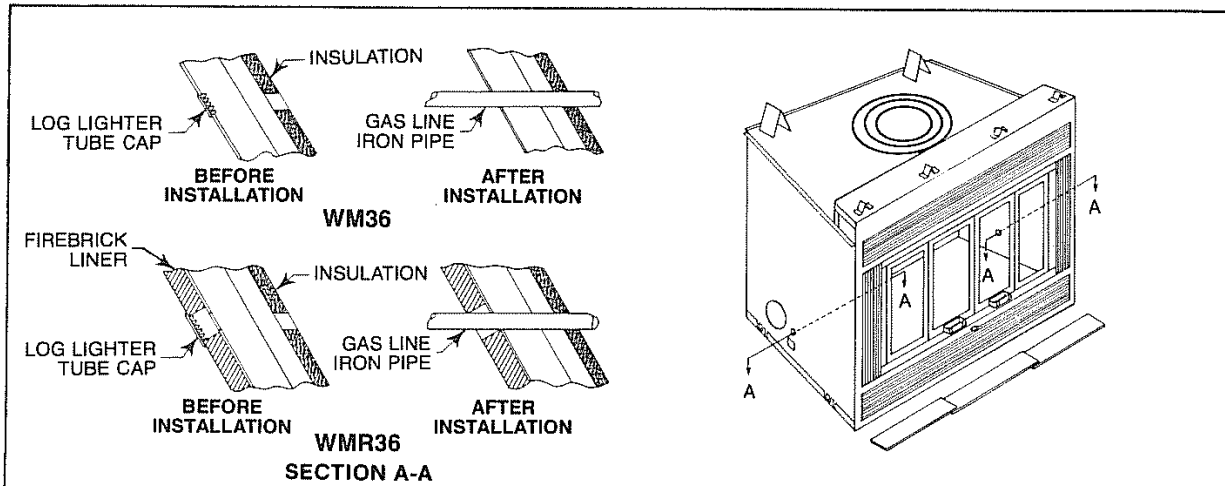


Fig. 26. Install iron pipe gas line through provided hole in both sides of fireplace.

Reference Data

CLEARANCE DATA

Any MAJESTIC WM36 Series Fireplace can be located directly on a flat hard-surfaced combustible floor, against a combustible wall or on a wooden platform without clearance from combustible construction. Some protection, however, is required for these surfaces as detailed on page 12.

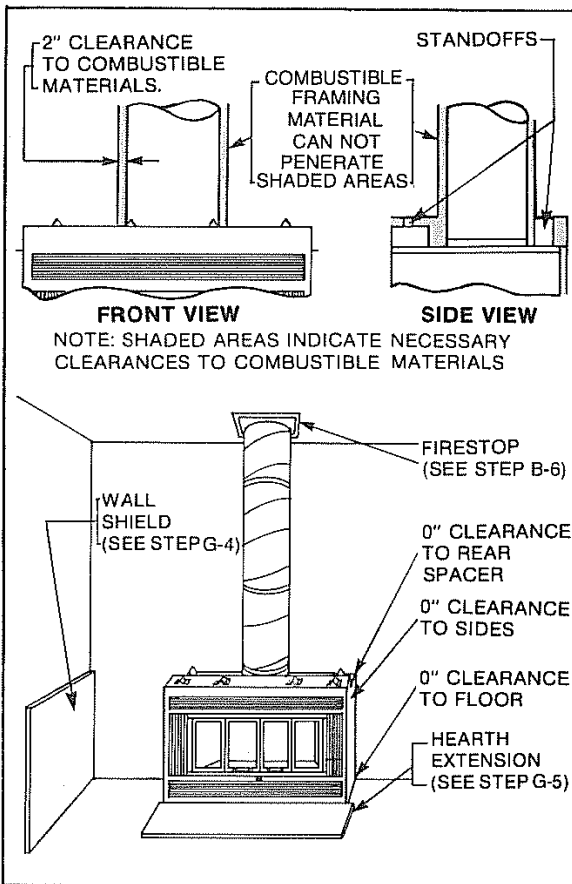


Fig. 27. Minimum clearances to combustible materials.

Framing members can be placed directly against the side and back of the fireplace.

The minimum clearance-to-combustibles requirements for chimney sections and dome are detailed in Fig. 27.

FRAMING DATA

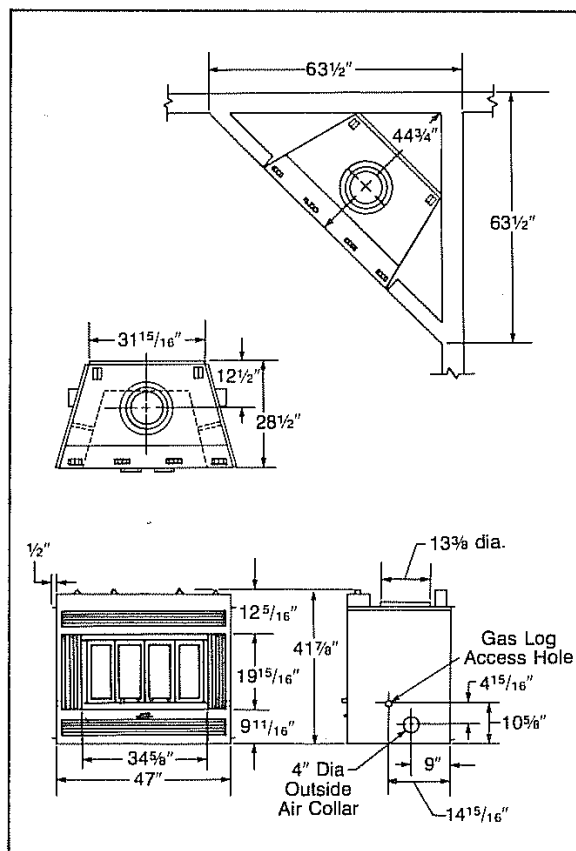

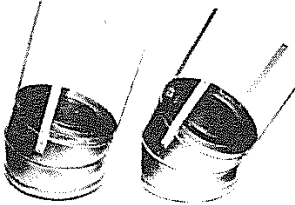


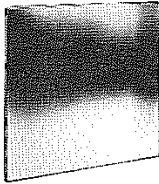



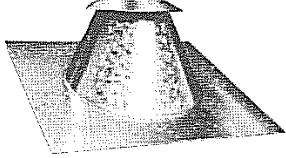

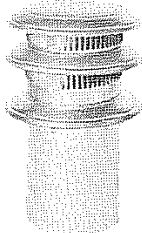
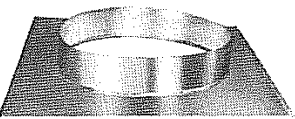
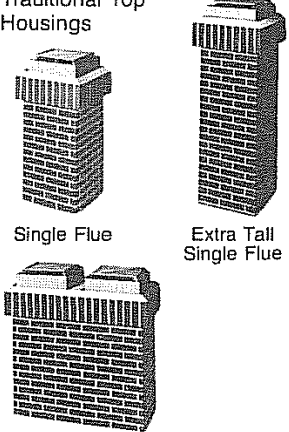
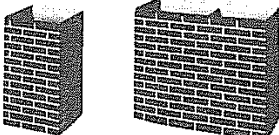
Fig. 28. Dimensions of WM36

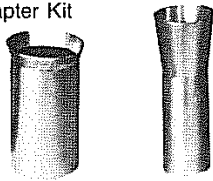

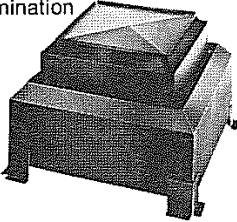
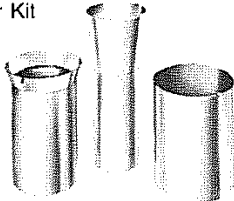



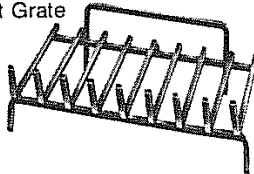
ACCESSORY PARTS

The following accessory parts can be obtained from your Majestic Dealer. The fan kit, top terminations, and hearth patching kit are supplied with installation instructions packaged with the unit. Should you need additional information beyond what your dealer can furnish, contact the Majestic Company, Huntington, Indiana 46750, Attention: Director of Customer Service.

CAUTION: This fireplace and chimney assembly is a highly engineered system and, as such, must be operated only with Majestic approved components that have been designed as parts of the system. If you use any unapproved component or make any modifications, you may possibly cause a fire hazard and will void the Majestic warranty. In addition, such action may void the coverage provided by the owner's house insurance.

| Accessory | Description | Model No. |
|---|--|--|
| Fan Kit  | Designed for use with the fireplace to provide forced air flow. | WFK-36 |
| Chimney Elbows  | Used to develop offset chimney systems. Both 15° and 30° elbows are available. | 815 (15°-8" flue) 830 (30°-8" flue) |
| Chimney Support  | Used to support the chimney at first 45 feet and each additional 30 feet of vertical height above the hearth and at every 6 feet of inclined chimney run. Each support adds 3 inches to chimney length. | TCS8 (8" flue) |
| Hearth Extension  | Located on the floor in front of the fireplace opening to protect the floor from heat, hot embers, ashes, etc. | EH36A |
| Wall Shield  | Used to protect walls adjacent to the fireplace. | SP40 |
| Contemporary Round Top Termination  | Used to terminate chimney on the roof. Flashing not included. | RT8C (8" flue) |

| Accessory | Description | Model No. |
|---|--|---|
| <p>Contemporary Flashing</p>  | <p>Required for contemporary round top termination on the roof to prevent rain entry.</p> | <p>8-6-12 (8" flue:0 to 6-12 pitch) 8-12-12 (8" flue:6-12 to 12-12 pitch)</p> |
| <p>Square Top Chase Termination</p>  | <p>Used to terminate chimney at the top of a chase. Adapter kit included. Flashing not included.</p> | <p>TS8 (8" flue)</p> |
| <p>Extended Round Top Chase Termination</p>  | <p>Used to terminate chimney at the top of a chase. Adapter kit included. Flashing not included.</p> | <p>RT8CL (8" flue)</p> |
| <p>Chase Top Flashing</p>  | <p>Used with chase terminations to prevent rain entry.</p> | <p>FL88 (8" flue)</p> |
| <p>Traditional Top Housings</p>  <p>Single Flue Extra Tall Single Flue</p> <p>Double Flue</p> | <p>Gives traditional chimney top look using simulated brick in red, tan or white color. Brick pattern is embossed into galvanized steel unit. Roof flashing is included. Adapter kit (8CA) is required.</p> | <p>T20A (single flue) TL20A (extra tall single flue) T44A (double flue)</p> |
| <p>Housing Extensions</p>  | <p>Required to extend Traditional Top Housings on steeply pitched roofs.</p> | <p>202036 (single flue) 204436 (double flue)</p> |

| Accessory | Description | Model No. |
|---|--|--|
| <p>Adapter Kit</p>  | <p>Required to unite triple-wall chimney with Traditional Top Housing.</p> | <p>8CA (8" flue)</p> |
| <p>Blank Adapter</p>  | <p>Used to cap unused flue opening on Traditional Top Housing Model T44A.</p> | <p>BLA</p> |
| <p>Contemporary Chase Top Termination</p>  | <p>Used to terminate chimney at the top of a chase. Flashing is not included. Adapter kit (TT8CA) is required.</p> | <p>TT200A</p> |
| <p>Adapter Kit</p>  | <p>Required to unite triple-wall chimney with Contemporary Chase Top.</p> | <p>TT8CA (8" flue)</p> |
| <p>Chimney Sections</p>  | <p>Used to build chimney systems.</p> | <p>8" flue 81 (1' long) 818 (1½' long) 82 (2' long) 83 (3' long) 85 (5' long)</p> |
| <p>Firestop</p>  | <p>Required at each floor level and attic on multi-story installation.</p> | <p>FS2A (8" straight flue) FS6A (8" 30° inclined flue) FS9A (8" 15° inclined flue)</p> |
| <p>Radiant Shield</p>  | <p>Used as an alternate to the FS2A firestop to reduce the clearance from the chimney to combustible framing.</p> | <p>RS-8A</p> |
| <p>Basket Grate</p>  | <p>Used in the firebox to hold firewood.</p> | <p>BG22 The BG22 basket grate is designed to be used with the WM36 fireplace. See home owner's manual for equivalent grate dimensions.</p> |
| <p>Hearth Patching Kit</p> | <p>Used to patch cracks in hearth.</p> | <p>HPC1</p> |

MAJESTIC
An American-Standard Company



Underwriters Laboratories, Inc.

MAJESTIC Fireplaces are listed, certified, and/or accepted by leading national and local building codes and authorities including: