

# AVANTI

## New Center Flue Adapter for Avanti Pellet Stove

SKU # 99300137

Travis Industries is now shipping center flue adapters made specifically for the 1997 Avanti Pellet Stove. This product is made by Simpson DuraVent® and has two distinct advantages:

- It centers the flue, allowing for a more "balanced" installation.
- The "tee" depth is shorter, allowing the stove to be installed closer to the rear wall.

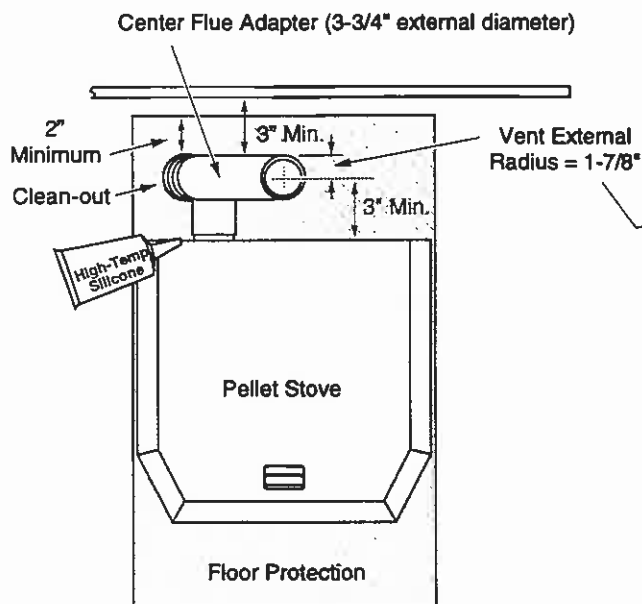
**NOTE:** When using this adapter, use Simpson DuraVent® vent for the entire system.

### Using 6" Class A Chimney?

If connecting the center flue adapter to a 6" class A chimney, attach a Simpson DuraVent® Dura-Plus Adapter to the L-Vent. This may require the stove to be placed farther from the back wall - make sure to follow the requirements under "Class A Chimney Retrofit" in the owner's manual if doing this type of installation. The 3" to 6" Simpson DuraVent Dura-Plus Adapter is part number 3074.

## INSTALLATION INSTRUCTIONS

- 1) The center flue adapter has two pieces: a custom "tee" and a 45° elbow. Before installing, remove the elbow, apply high-temperature silicone to the pipe joint and attach the elbow to the "tee" so the elbow bends upwards when attached. Use three screws (use self-drilling "zip" or metal screws) to secure these two pieces together. You may wish to paint the center flue adapter prior to installation - use high-temperature stove paint.
- 2) Apply high-temperature silicone to the "tee" pipe joint where it connects to the stove. Use three screws (use self-drilling "zip" or metal screws) to secure the "tee" to the stove.



### IMPORTANT NOTE:

The center of the vent must be a minimum 3" behind the back of the hopper lid - this prevents the hopper lid from dis-lodging the vent. Slide the adapter back or adjust the elbow to provide adequate clearance.

