



HOME HEATING APPLIANCE

INSTALLATION AND OPERATING
INSTRUCTIONS

FOR MODEL
CC200

INSTALLATION INSTRUCTIONS

FOR



MODEL CC200

CAUTION: Read instructions carefully before you begin to install this stove. Check your local building code requirements, and your own insurance company's requirements prior to installation. A properly installed insert can give you years of savings and pleasure, while an incorrectly installed stove could result in a serious fire and loss of life and property. **SAVE THESE INSTRUCTIONS.**

This symbol on the product's nameplate
means it is Listed by
UNDERWRITERS LABORATORIES INC.



**MANUFACTURED BY
ORRVILLE PRODUCTS, INC.
375 EAST ORR STREET
ORRVILLE, OHIO 44667**

FLUE ADAPTOR INSTALLATION - Residential & mobile home install flue adaptor shipped with stove in top opening of unit with 2 screws supplied.

CONNECTOR PIPE INSTALLATION -

RESIDENTIAL INSTALLATION

1. The connector pipe connects the stove to the chimney.
2. The connector pipe should be 18 inches or more from combustible material except as noted. (See Figure 2) Clearances may be reduced by utilizing additional protection.
3. This pipe should be at least 6 inches in diameter, 24 gauge or heavier and made of corrosion-resistant steel.
4. It is recommended that connector pipes be installed with the crimped ends toward the stove so that creosote will run down the pipe and into the stove and not out the junctions.
5. It is important that all pipe joints and the connection to the heater collar be secured with at least two metal screws.
6. A small amount of stove putty or cement should be used to seal each joint. After the pipe is installed, wipe excess putty or cement and finger marks from pipe and stove cabinet.
7. Horizontal connectors are required by NFPA (National Fire Protection Assoc.) to have at least 1/4 inch rise to the linear foot (the end toward the stove being the lowest point).

MOBILE HOME INSTALLATION

1. Mobile home units must be installed with a chimney system listed for use with this heater. Choose one of the following systems: Dura-vent Model 6DCR, Metalbestos Model 6SSII, Security Chimney Model ASHT6, or Jackes-Evans (GWS) Model SC6
2. All connector components in the installation are to be from one manufacturer.
3. When using Dura-vent, Metalbestos, Security Chimney, or Jackes-Evans (GWS), a flue adapter and a trim ring must be used. (See figure 6).
4. Refer to chimney and chimney connector manufacturer's instructions and local building codes for installation through combustible ceilings.

LOCATION OF STOVE

1. The stove should be located away from doors and hallways and out of the line of traffic as much as possible.
2. A central location is most desirable, however, having the minimum required run of pipe to the chimney should be the deciding factor.
3. When installed on a floor of combustible material, such as wood, tile, carpet, etc., the stove must be placed on a fireproof floor protector. Floor protector material; non-combustible inorganic material of 3/8 in. thick millboard having a thermal conductivity of $K = 0.84 \text{ BTU IN/FT}^2 \text{ hr}$.

The protector must extend at least 16 inches beyond the loading

doors on the CC200 Series stove. It must extend 8 inches beyond each side and rear and 2 inches to either side of the chimney connector when exiting the backwall.

4. Always maintain a clearance of 12 inches from side of stove to combustible wall or material. In residential with single wall chimney connector, the rear of the stove may be located 10 inches from combustible wall or material. Connector pipe distance of 18 inches to the ceiling must still be maintained. In residential and mobile home with insulated chimney connector (Metalbestos, Jackes-Evens (GWS) or Security Chimney) rear of stove may be 6 inches from combustible wall or material. In mobile home with double wall chimney connector (Dura-vent) rear of stove may be 9 inches from combustible wall or material. (See Figure 3 & 4)

CHIMNEY TYPES

NOTE: Chimneys used with this stove must have an minimum flue area equivalent to 6 inches dia. flue pipe.

FACTORY BUILT CHIMNEYS: Must be listed residential type and building heating appliance chimney. NFPA No. 211 requires factory built chimneys to be Listed and installed in accordance with the conditions of the Listing and the manufacturer's instructions. NFPA No. 211 also requires the chimney to extend at least 3 feet above the highest point where it passes through the roof, and at least 2 feet higher than any portion of a building within 10 feet of the pipe. (See Figure 1).

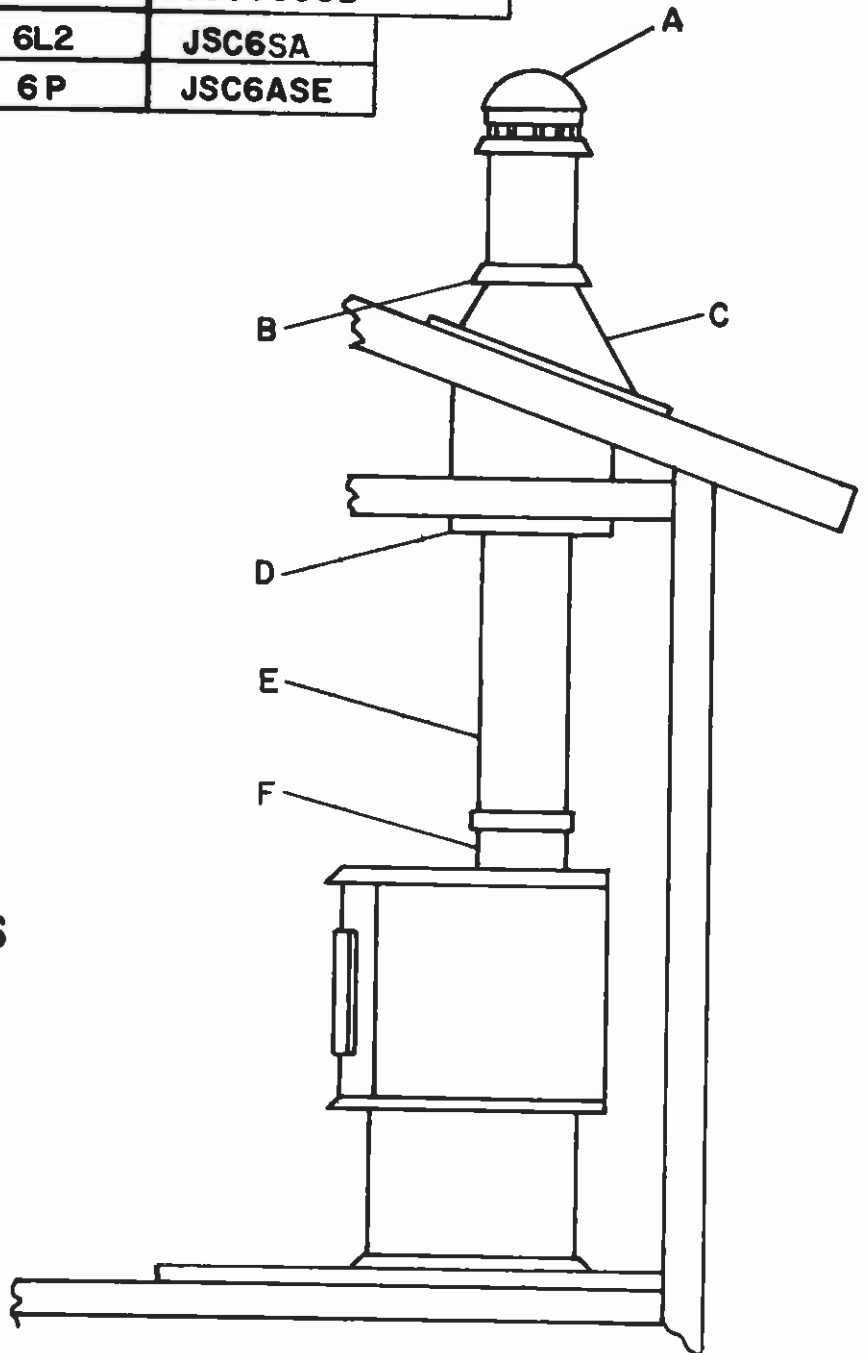
BRICK CHIMNEY WITH THIMBLE: When an existing chimney is used, be sure that it is in good repair and has a suitable chimney flue liner. Many local fire departments will inspect your chimney free of charge. According to NFPA No. 211, a connector to a masonry chimney shall extend through the wall to the inner face or liner but not beyond and shall be firmly cemented to masonry. A thimble may be used to facilitate removal of the chimney connector for cleaning, in which case the thimble shall be permanently cemented in place with high temperature cement.

MOBILE HOME CHIMNEY: The chimney must comply with the standard for chimneys, factory built, residential type and building heating appliance, UL103. The chimney should extend at least 3 feet above the part of the roof that it passes through. Top of chimney should be 2 ft. above highest part of roof within 10 ft. of chimney. The chimney should be removable at or below an elevation of 13 1/2 feet above ground level. A spark arrester should be attached to the top of the chimney. (See Figure 3).

MOBILE HOME COMBUSTION AIR INLET: Combustion air must be drawn from the outside through the floor and attach to the pedestal. Adjust shut off plates located on sides of pedestal to closed position and tighten screws. (See Figures 3 & 7).

	DURAVENT	METALBESTOS	SECURITY	JACKES-EVANS (GSW)
A	DCR-C	6T-CT	6CPE	JSC6RC-MH
B	DCR-SC	6T-SC	6FC	JSC6ASC-GA
C	DCR-F	6T-TF	6F	JSC6AAF-GA
D	DCR-FRS	6T-MH	6RSMH	JSC6CCSB
E	L-3 *	2-6T-30	6L2	JSC6SA
F	8678	6T-DSAC	6P	JSC6ASE

* LISTED TYPE



LISTED CHIMNEYS

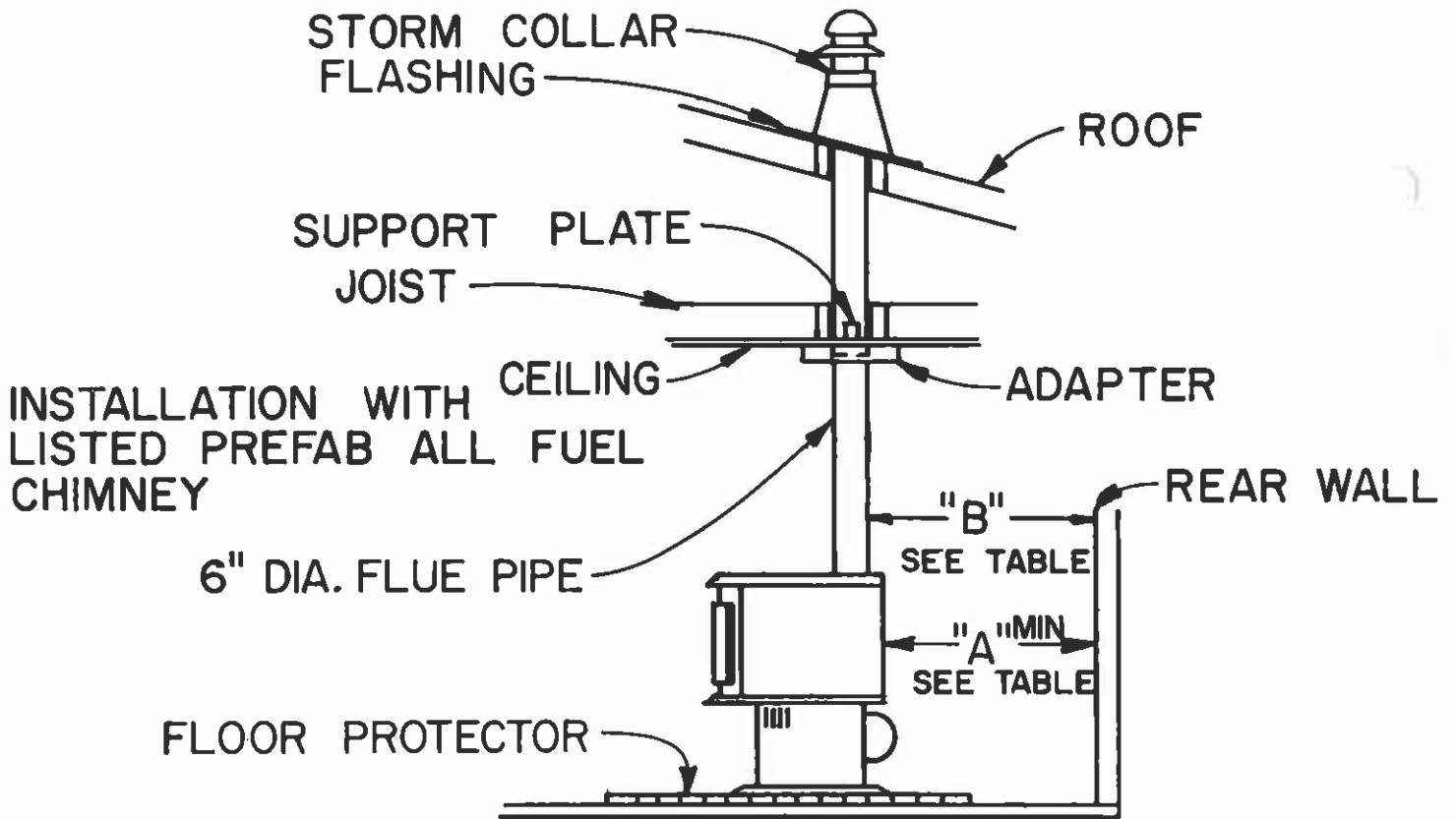


FIGURE 1

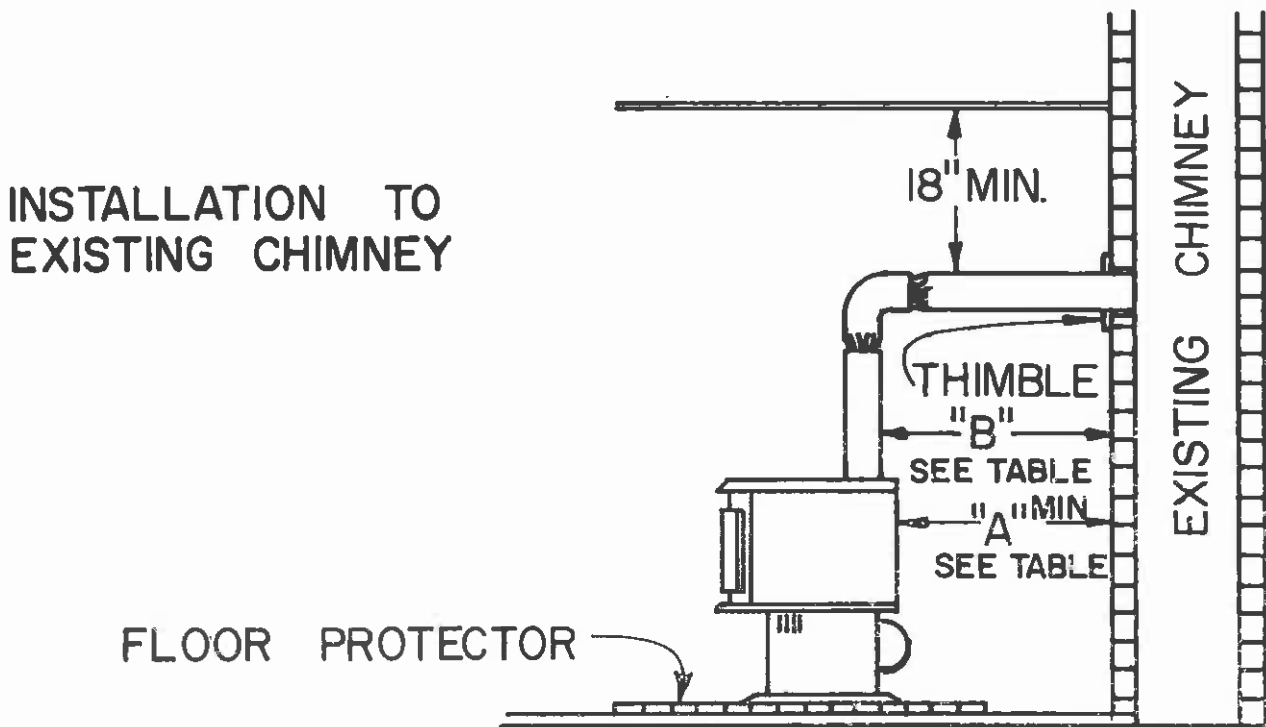


FIGURE 2

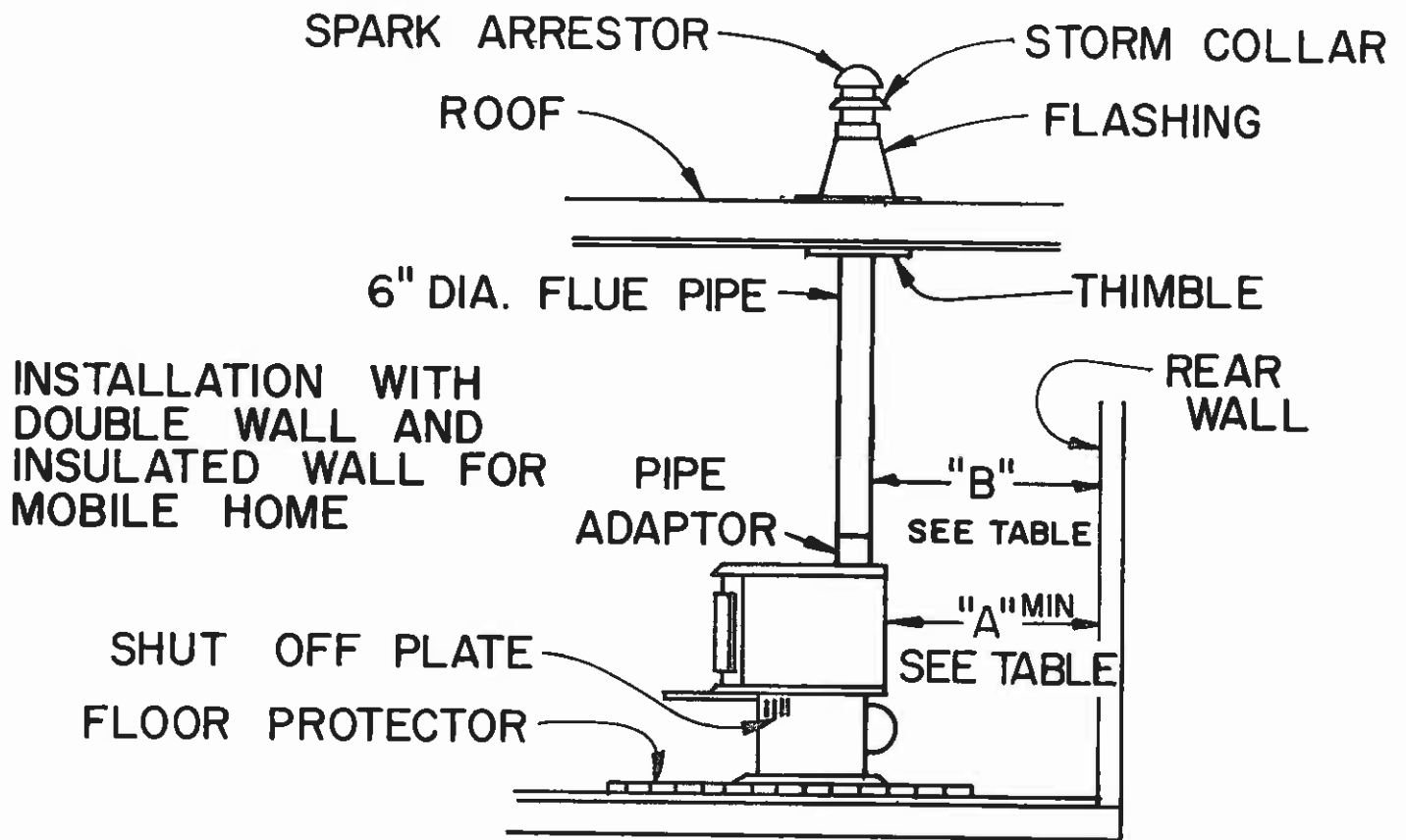


FIGURE 3

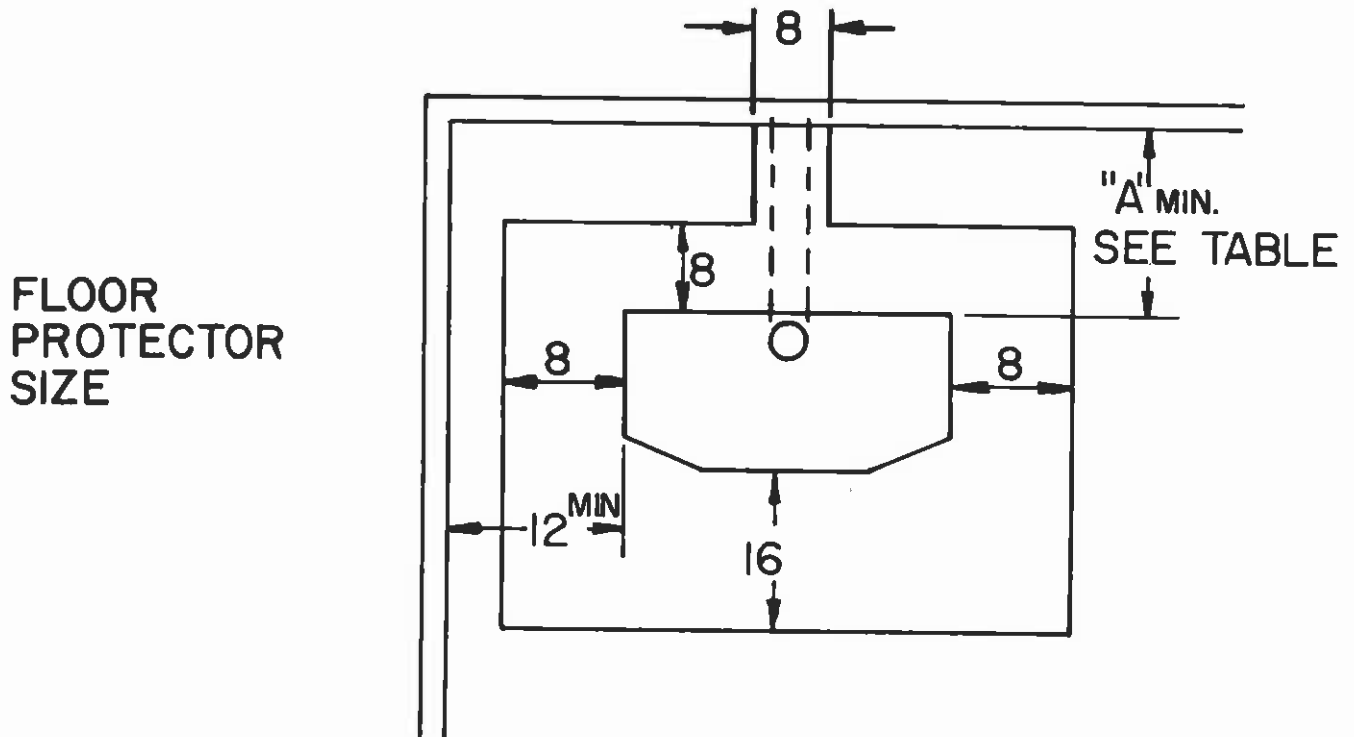


FIGURE 4

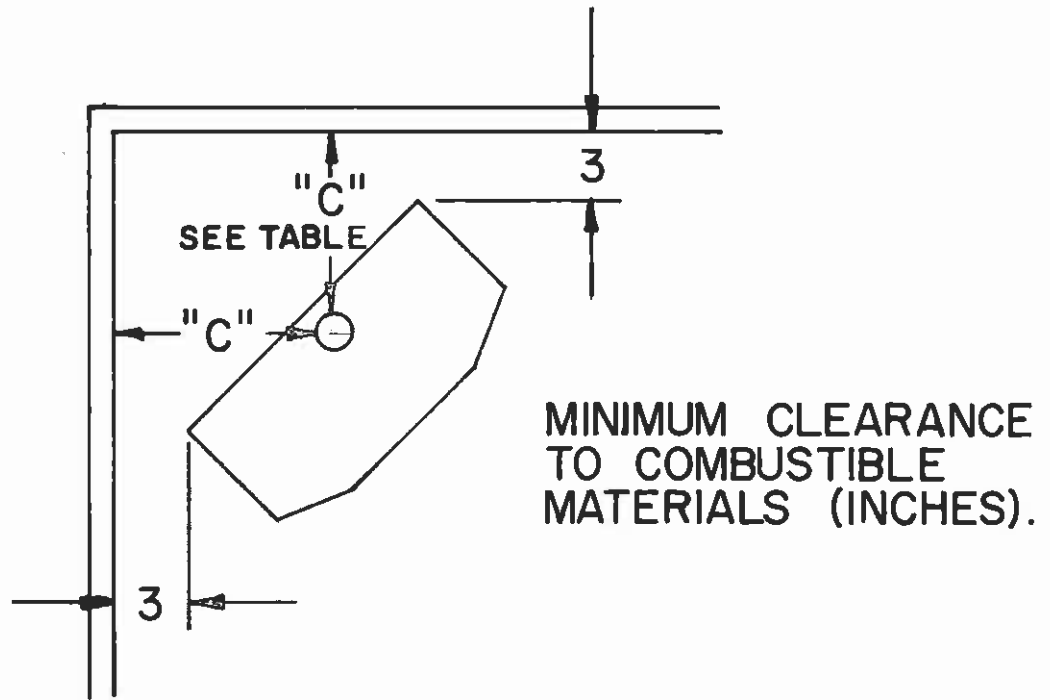


FIGURE 5

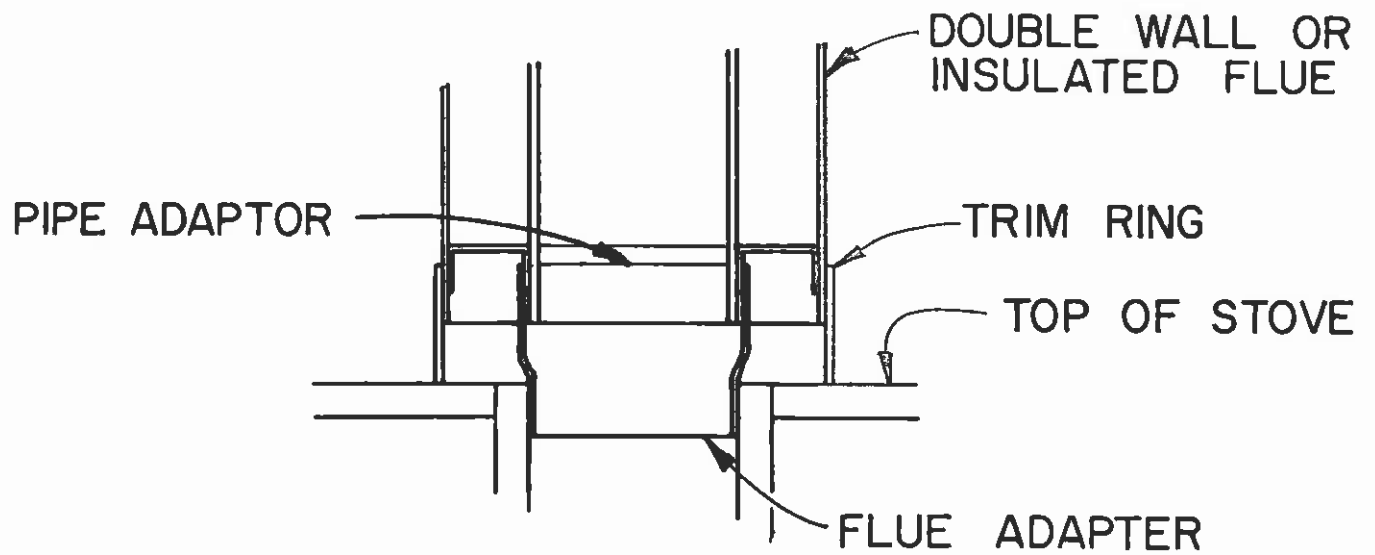


FIGURE 6