



PRODUCT SPECIFICATIONS

MD361*

WOOD BURNING



MD361

INTERIOR DIMENSIONS

Front opening width - 36"
 Front opening height- 21 7/8"
 Rear Wall Width - 18"
 Hearth Depth - 20 1/4"

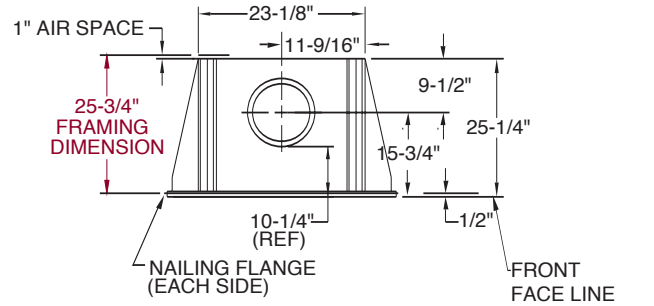
TECHNICAL INFORMATION

Flue Series(Std.) - "S" Double Wall
 Flue Size - 8" Inner; 11" Outer
 Clearance on Flue - 2"
 Firestop Framing** - 14-1/2" x 14-1/2"
 Minimum Flue Height - 16'
 Maximum Flue Height - 86'
 Minimum Height with 2 Elbows - 14'
 Minimum Height with 4 Elbows - 21'
 Clearance on Fireplace - 3/4"
 Minimum Hearth Size (D x L)- 16" x 52"
 OMNI Design Certified

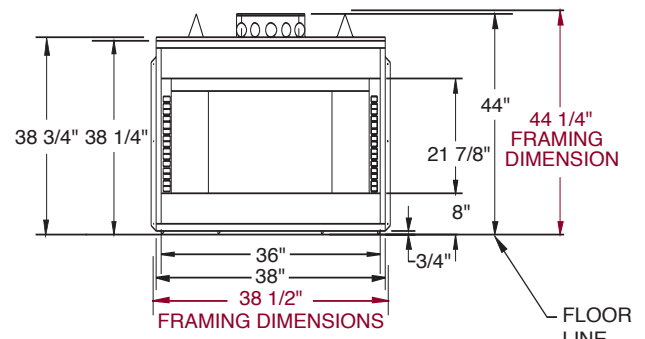
** Clearance reduces to 1-3/4"

FIELD INSTALLED ACCESSORIES

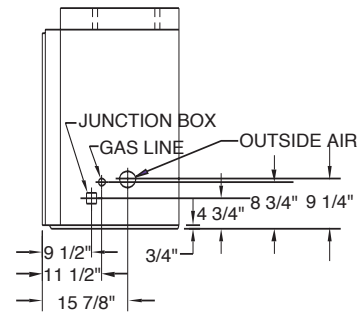
Bi-fold Glass Doors - MGD36PB (polished brass finish), MGD36B (black), MGD36SS (stainless)
 Fan Kit - FA2 for use with MLK36
 Outside Air Kit - AK4, FP4U, 403
 Terminations(Std.) - "S" Series
 SC, SCL, CF8, SQ8, LFSQT, SPC
 Louver Kit - MLK36 (Can be field converted to a circulating (louvered) unit.)



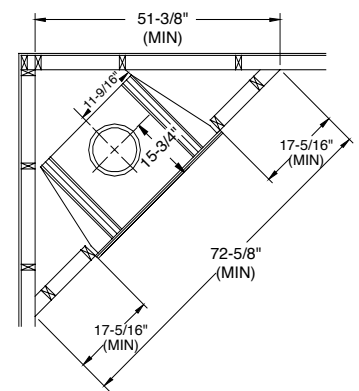
TOP



FRONT



RIGHT SIDE



Framing dimensions in illustrations accommodate 1/2" finishing material.

* Standard insulated unit.

To avoid personal injury or property damage, the product described by this brochure must be installed, operated and maintained in strict compliance with the instructions packaged with the product and all applicable building or fire codes. Contact local building or fire officials about restrictions and installation inspection requirements. All photographs and drawings on this brochure are for illustrative purposes only and are not intended for, nor should they be used as a substitute for the instructions packaged with the unit. Appearance and specifications of the product are subject to change without notice. 6/05

PRODUCT SPECIFICATIONS

MD421*

WOOD BURNING



MD421

INTERIOR DIMENSIONS

Front opening width - 42"
Front opening height- 21 7/8"
Rear Wall Width - 24"
Hearth Depth - 20 1/4"

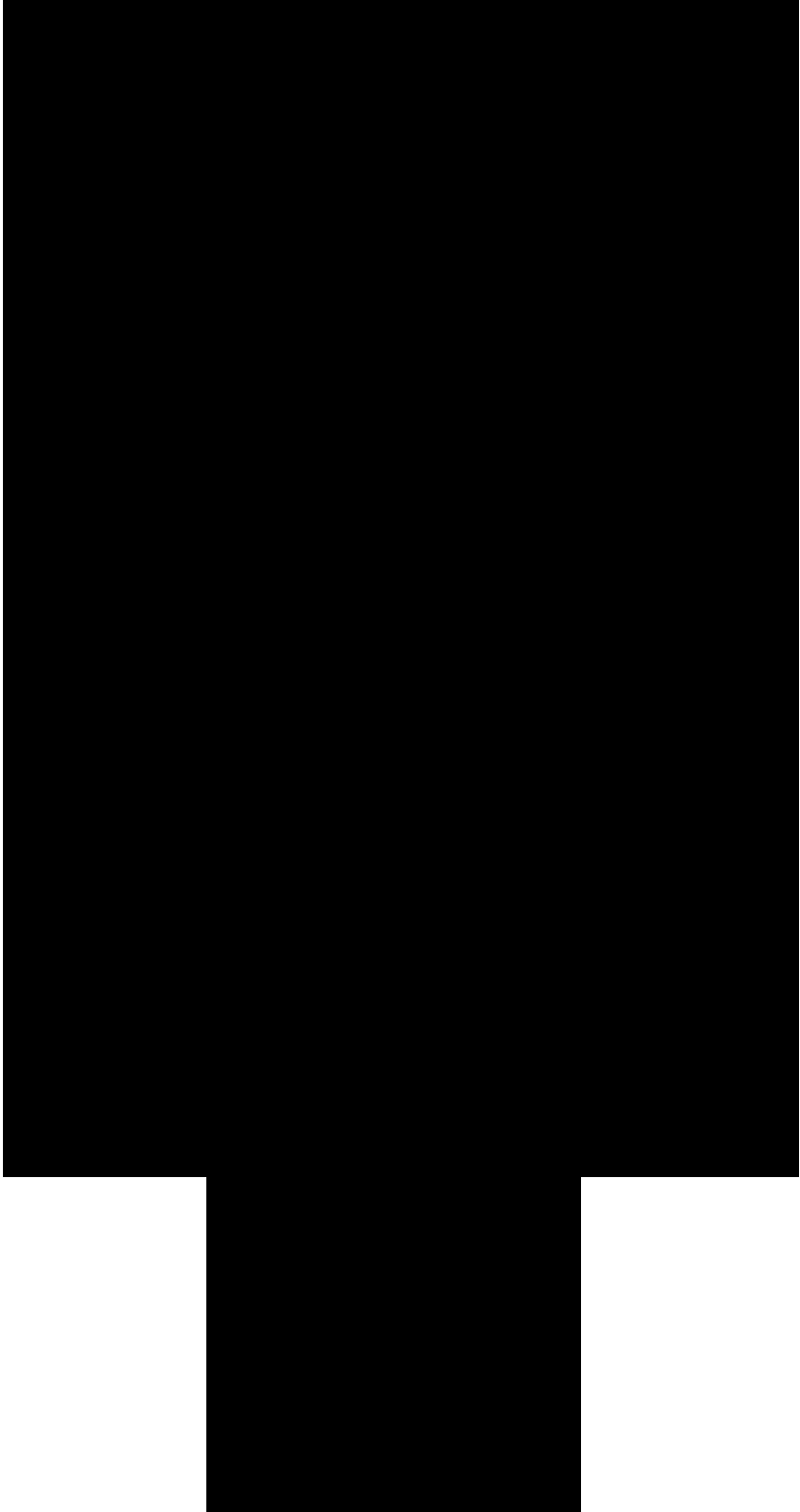
TECHNICAL INFORMATION

Flue Series(Std.) - "S" Double Wall
Flue Size - 8" Inner; 11" Outer
Clearance on Flue - 2"
Firestop Framing** - 14-1/2" x 14-1/2"
Minimum Flue Height - 16'
Maximum Flue Height - 86'
Minimum Height with 2 Elbows - 16'
Minimum Height with 4 Elbows - 21'
Clearance on Fireplace - 3/4"
Minimum Hearth Size (D x L)- 20" x 66"
OMNI Design Certified

** Clearance reduces to 1-3/4"

FIELD INSTALLED ACCESSORIES

Bi-fold Glass Doors - GD42PB (polished brass finish), GD42B (black), GD42SS (stainless)
Fan Kit - FA2 for use with MLK36
Outside Air Kit - AK4, FP4U, 403
Terminations(Std.) - "S" Series
SC, SCL, CF8, SQ8, LFSQT, SPC
Louver Kit - MLK36 (Can be field converted to a circulating (louvered) unit.)



Framing dimensions in illustrations
accommodate 1/2" finishing material.

* Standard insulated unit.

To avoid personal injury or property damage, the product described by this brochure must be installed, operated and maintained in strict compliance with the instructions packaged with the product and all applicable building or fire codes. Contact local building or fire officials about restrictions and installation inspection requirements. All photographs and drawings on this brochure are for illustrative purposes only and are not intended for, nor should they be used as a substitute for the instructions packaged with the unit. Appearance and specifications of the product are subject to change without notice. 6/05