



REPORT

ETL TESTING LABORATORIES, INC.

INDUSTRIAL PARK

CORTLAND, NEW YORK 13045

Order No. 51322-S-5

Date: July 7, 1989

REPORT NO. 492545

INSPECTION, TESTS, AND EVALUATION
OF A VENTED DECORATIVE FIREPLACE

RENDERED TO

ORRVILLE PRODUCTS, INC.
ORRVILLE, OH 44667

GENERAL:

This report gives the results of the inspection, tests, and evaluation of the Model C36 Vented Decorative Gas Appliance for compliance with the requirements of the Standard for Vented Decorative Gas Appliances 221.50b-1988. This investigation was authorized by Purchase Order No. 50012, dated 12/15/88 and was begun in Dec. 88 and completed in May 1989.

The sample was provided by the client and tested at CGA's facility.

VENTED DECORATIVE GAS APPLIANCE
(CATEGORY 124)

Participant: Orrville Products, Inc.
375 East Orr Street
Orrville, OH 44667

Manufacturer: Same as Participant

An independent organization testing for safety, performance and certification.

All services undertaken subject to the following general policy: Reports are submitted for exclusive use of the clients to whom they are addressed. Their significance is subject to the adequacy and representative character of the samples and to the comprehensiveness of the tests examinations or surveys made. No quotations from reports or use of ETL's name is permitted except as expressly authorized by ETL in writing.

COMFORTEC™

Product Fact Sheet

Model: CST36

Box Size:

Front Width	35 3/4"
Rear Width	35 3/4"
Depth	20 3/4"
Height.....	34"
Height (Including Standoffs)	35 1/2"

The CST36 is a See-Through
that can be an Island, Room Divider,
or Wall Installation!

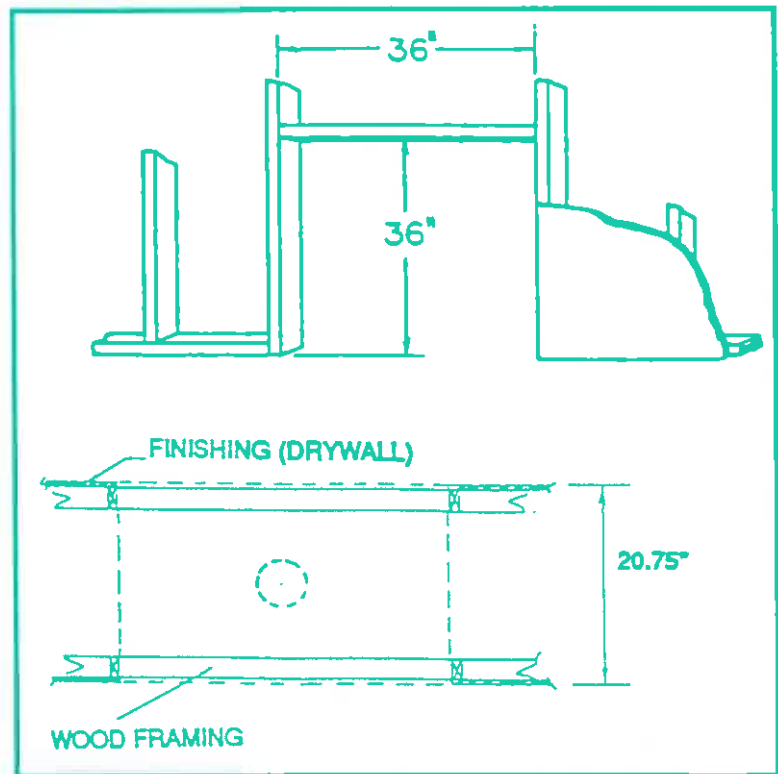
Specification Data:

Fuel	Natural or Propane Gas
BTU Input	Natural 30,000/ Propane 26,000
BTU Output	Decorative Appliance, (Not intended to be an efficient heat producing unit)
Flue Size	6"
Ignition System	Piezo
Valve	Robertshaw with Millivolt Control
Clearance to Combustibles	Zero

Framing Dimensions:

Features:

- Five Year Warranty
- Wall Mount Remote Switch
(No Electricity Required)
- Five Bark Texture Logs
- Aluminized Steel Burn Chamber
- Right or Left Side Gas Hook-up
- Two Front Flames with Glowing Embers



Options:

- Hand-held Cordless Remote Control
- Polished Brass Decorative Trim Kit
- Tempered Glass Doors
- Outside Air Kit
- Power Vent System (Up to 100')

Orrville Products, 375 East Orr Street, P.O. Box 902, Orrville, Ohio 44667
Phone (216) 683-4010 or (800) 722-4010