

**INSTALLER: THESE INSTRUCTIONS MUST BE CONVEYED TO AND REMAIN WITH THE HOMEOWNER.**

CERTIFIED UNDER CANADIAN AND AMERICAN NATIONAL STANDARDS, CAN/CGA-2.22-M88 AND ANSI Z21.50b-1990 RESPECTIVELY FOR GAS-FIRED VENTED DECORATIVE APPLIANCE, CGA IR41, IR55 AND WH GPN-001.



# FIREPLACES

**GAS FIRED - DIRECT VENT MILLIVOLT SYSTEM**

**INSTALLATION AND OPERATION INSTRUCTIONS FOR  
MULTI-VIEW DECORATIVE FIREPLACE**

**NATURAL GAS MODEL GD40N**

**PROPANE GAS MODEL GD40P**

CERTIFIED FOR CANADA AND UNITED STATES USING ANSI / AGA / CGA METHODS

**WARNING:** Improper installation, adjustment, alteration, service or maintenance can cause injury or property damage. Refer to this manual. For assistance or additional information consult a qualified installer, service agency or the gas supplier.

### FOR YOUR SAFETY:

Do not store or use gasoline or other flammable vapours and liquids in the vicinity of this or any other appliance.

### WHAT TO DO IF YOU SMELL GAS:

- Turn off main gas supply.
- Open windows.
- Do not try to light any appliance.
- Do not touch any electrical switch; Do not use any phone in your building.
- Extinguish any open flame.
- Immediately call your gas supplier from a neighbour's phone. Follow the gas supplier's instructions.
- If you cannot reach your gas supplier, call the fire department.

Wolf Steel Ltd., RR#1, 9 NAPOLEON RD.,  
Barrie, ON., Canada L4M 4Y8 (705)721-1212

Fax: (705)722-6031 Email: [ASK@NAPOLEON.ON.CA](mailto:ASK@NAPOLEON.ON.CA)  
Web: [WWW.NAPOLEON.ON.CA](http://WWW.NAPOLEON.ON.CA)

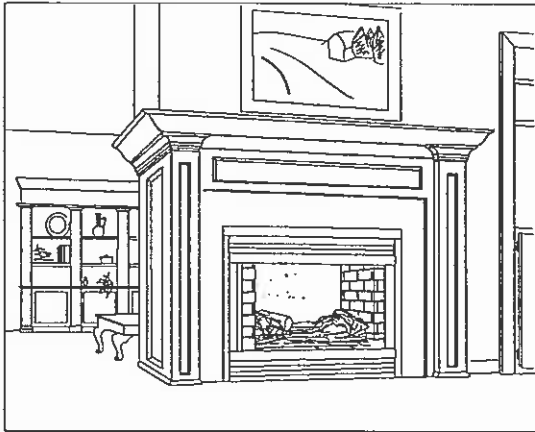




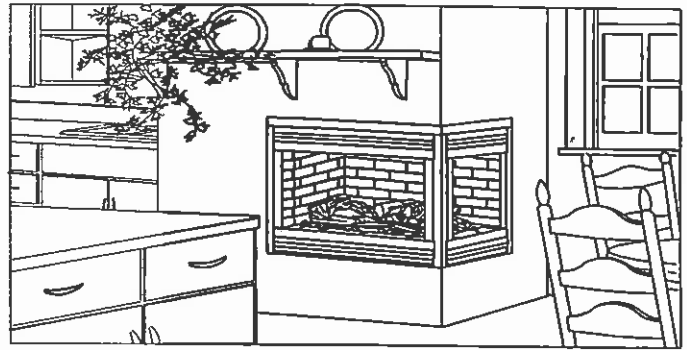
PLEASE RETAIN THIS MANUAL FOR FUTURE REFERENCE

## TABLE of CONTENTS

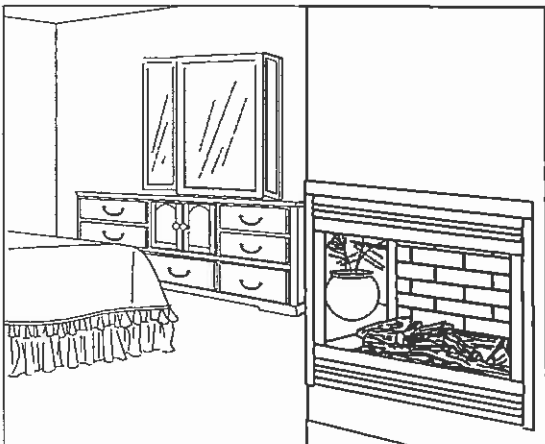
Pg 4-6	<b>INTRODUCTION</b> Warranty General Instructions General Information Care of Glass & Plated Parts	PG 17	<b>OPTIONAL BLOWER INSTALLATION</b>
7-11	<b>VENTING</b> Vent Lengths Venting Options Mobile Home Installation Air Terminal Locations	18-19	<b>VENTING SPECIFICS</b> Horizontal Venting Installation Vertical Venting Installation Fireplace Vent Connection Gas Supply Connection
12-13	<b>PENINSULA INSTALLATION PROCEDURE</b> Framing Bar / Countertop Installation Brick Panel Installation Facing	20-21	<b>FINISHING</b> Mantle Height Locations Log Placement/Charcoal Embers Door, Louvre & Trim Installation
14-15	<b>OPEN END INSTALLATION PROCEDURE</b> Framing Brick Panel Installation Facing	22	<b>OPERATION / MAINTENANCE</b> Operating Instructions Maintenance
16	<b>SEE-THRU INSTALLATION PROCEDURE</b> Framing Brick Panel Installation Facing	23	<b>ADJUSTMENTS</b> Pilot Burner Adjustment Venturi Adjustments
		24-26	<b>REPLACEMENTS</b> Ordering Replacement Parts Replacement Parts Vent Kits Terminal Kits Accessories
		27-28	<b>TROUBLE SHOOTING GUIDE</b>



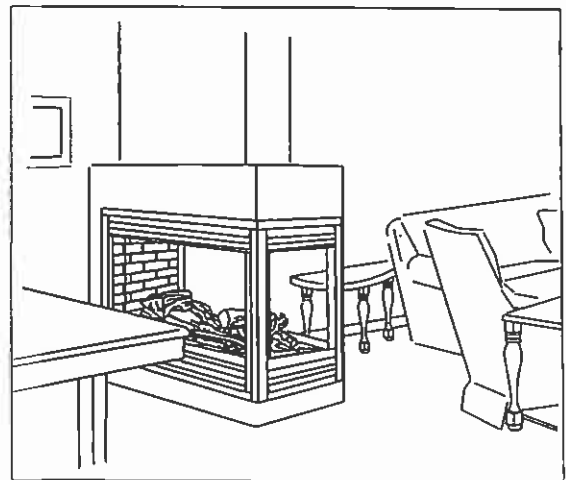
*SEE-THRU MODEL*



*RIGHT OPEN END MODEL*



*LEFT OPEN END MODEL*



*PENINSULA MODEL*

*NAPOLEON gas fireplaces are manufactured under the strict Standard of the world recognized ISO9002 Quality Assurance Certificate.*

*NAPOLEON products are designed with superior components and materials, assembled by trained craftsmen who take great pride in their work. The burner and valve assembly are leak and test-fired at a quality test station. The complete fireplace is again test-fired and thoroughly inspected by a qualified technician before packaging to ensure that you, the customer, receives the quality product that you expect from NAPOLEON.*

## NAPOLEON GAS FIREPLACE PRESIDENT'S LIFETIME LIMITED WARRANTY

*The following materials and workmanship in your new NAPOLEON gas fireplace are warranted against defects for as long as you own the fireplace. This covers: combustion chamber, heat exchanger, stainless steel burner, phazer™ logs and embers, ceramic glass (thermal breakage only), gold plated parts against tarnishing, porcelainized enamelled components and aluminum extrusion trims.*

*Electrical (110V and millivolt) components and wearable parts such as blowers, gas valves, thermal switch, switches, wiring, remote controls, ignitor, gasketing, and pilot assembly are covered and NAPOLEON will provide replacement parts free of charge during the first year of the limited warranty.*

*Labour related to warranty repair is covered free of charge during the first year. Repair work, however, requires the prior approval of an authorized company official. Labour costs to the account of NAPOLEON are based on a predetermined rate schedule and any repair work must be done through an authorized NAPOLEON dealer.*

## CONDITIONS AND LIMITATIONS

NAPOLEON warrants its products against manufacturing defects to the original purchaser only - i.e., the individual or legal entity (registered customer) whose name appears on the warranty registration card filed with NAPOLEON - provided that the purchase was made through an authorized NAPOLEON dealer and is subject to the following conditions and limitations:

This factory warranty is nontransferable and may not be extended whatsoever by any of our representatives.

The gas fireplace must be installed by a licensed, authorized service technician or contractor. Installation must be done in accordance with the installation instructions included with the product and all local and national building and fire codes.

This limited warranty does not cover damages caused by misuse, lack of maintenance, accident, alterations, abuse or neglect and parts installed from other manufacturers will nullify this warranty.

This limited warranty further does not cover any scratches, dents, corrosion or discolouring caused by excessive heat, abrasive and chemical cleaners nor chipping on porcelain-enamel parts, mechanical breakage of PHAZER™ logs and embers, nor any venting components used in the installation of the fireplace.

NAPOLEON warrants its stainless steel burners against defects in workmanship and material for life, subject to the following conditions: During the first 10 years NAPOLEON will replace or repair the defective parts at our option free of charge. From 10 years to life, NAPOLEON will provide replacement burners at 50% of the current retail price.

In the first year only, this warranty extends to the repair or replacement of warranted parts which are defective in material or workmanship provided that the product has been operated in accordance with the operation instructions and under normal conditions.

After the first year, with respect to this President's Limited Lifetime Warranty, NAPOLEON may, at its discretion, fully discharge all obligations with respect to this warranty by refunding to the original warranted purchaser the wholesale price of any warranted but defective part(s).

After the first year, NAPOLEON will not be responsible for installation, labour or any other costs or expenses related to the reinstallation of a warranted part, and such expenses are not covered by this warranty.

Notwithstanding any provisions contained in this President's Limited Lifetime Warranty, NAPOLEON'S responsibility under this warranty is defined as above and it shall not in any event extend to any incidental, consequential or indirect damages.

This warranty defines the obligations and liability of NAPOLEON with respect to the NAPOLEON gas fireplace and any other warranties expressed or implied with respect to this product, its components or accessories are excluded.

NAPOLEON neither assumes, nor authorizes any third party to assume, on its behalf, any other liabilities with respect to the sale of this product. NAPOLEON will not be responsible for: over-firing, downdrafts, spillage caused by environmental conditions such as rooftops, buildings, nearby trees, hills, mountains, inadequate vents or ventilation, excessive venting configurations, insufficient makeup air, or negative air pressures which may or may not be caused by mechanical systems such as exhaust fans, furnaces, clothes dryers, etc.

Any damages to fireplace, combustion chamber, heat exchanger, brass trim or other component due to water, weather damage, long periods of dampness, condensation, damaging chemicals or cleaners will not be the responsibility of NAPOLEON.

The bill of sale or copy will be required together with a serial number and a model number when making any warranty claims from your authorized dealer. The warranty registration card must be returned within fourteen days to register the warranty.

NAPOLEON reserves the right to have its representative inspect any product or part thereof prior to honouring any warranty claim.

# INTRODUCTION

## GENERAL INSTRUCTIONS

**THIS GAS FIREPLACE SHOULD BE INSTALLED AND SERVICED BY A QUALIFIED INSTALLER** to conform with local codes. In absence of local codes, install to the current CAN/CGA -B149 Installation Code in Canada or to the National Fuel Gas Code, ANSI Z223.1-1988, and NFPA 54-1988 in the United States. Suitable for mobile home installation if installed in accordance with the current standard CAN/CSA Z240MH Series, for gas equipped mobile homes, in Canada or ANSI Z223.1-1988 and NFPA 54-1988 in the United States.

**PURGE ALL GAS LINES WITH THE GLASS DOOR OF THE FIREPLACE REMOVED. ASSURE THAT A CONTINUOUS GAS FLOW IS AT THE BURNER BEFORE INSTALLING THE DOOR.**

**UNDER EXTREME VENT CONFIGURATIONS, ALLOW SEVERAL MINUTES (5-15) FOR THE FLAME TO STABILIZE AFTER IGNITION. ALL HORIZONTAL RUNS MUST HAVE A MINIMUM 1 INCH RISE PER FOOT WHEN USING NAPOLEON VENTING COMPONENTS. EIGHT (8) INCHES IS THE MINIMUM BEND RADIUS ALLOWED FOR THE 7" DIAMETER FLEXIBLE AIR LINER.**

The fireplace and its individual shutoff valve must be disconnected from the gas supply piping system during any pressure testing of that system at test pressures in excess of 1/2 psig (3.5 kPa). The fireplace must be isolated from the gas supply piping system by closing its individual manual shutoff valve during any pressure testing of the gas supply piping system at test pressures equal to or less than 1/2 psig (3.5 kPa).

When the fireplace is installed directly on carpeting, vinyl tile or other combustible material other than wood flooring, the fireplace shall be installed on a metal or wood panel extending the full width and depth.

If the optional heat circulating blower is installed, the blower must be electrically connected and grounded in accordance with local codes. In the absence of local codes, use the current CSA C22.1 CANADIAN ELECTRICAL CODE in Canada or the ANSI/NFPA 70-1990 NATIONAL ELECTRICAL CODE in the United States.

Minimum clearance to combustible construction from fireplace and vent surfaces:

sides, back, bottom, and top	0 inches
vent pipe	2 inch*
recessed depth (corner installation)	24-3/4 inches

\* The first 2 feet of outer 7 inch diameter vent pipe from the appliance must be wrapped in the 1 inch thick insulation sleeve (supplied) as well as having a 1 inch air gap. FIGURE 39.

## GENERAL INFORMATION

**FOR YOUR SATISFACTION, ALL BURNER ASSEMBLIES HAVE BEEN TEST-FIRED TO ASSURE THEIR OPERATIONS AND QUALITY!** Maximum input is 40,000 BTU/h for natural gas and 36,000 BTU/h for propane. When the fireplace is installed at elevations above 4,500ft, and in the absence of specific recommendations from the local authority having jurisdiction, the certified high altitude input rating shall be reduced at the rate of 4% for each additional 1,000ft. Maximum output for natural gas is 33,200 BTU/hr at an efficiency of 83% with the fan on.

Minimum inlet gas supply pressure is 4.5 inches water column for natural gas and 11 inches water column for propane. Maximum inlet gas pressure is 7 inches water column for natural gas and 13 inches water column for propane. Manifold pressure under flow conditions is 3.5 inches water column for natural gas and 10 inches water column for propane.

This fireplace is approved for bathroom, bedroom and bed-sitting room installations and is suitable for mobile home installation. The natural gas model can only be installed in a mobile home that is permanently positioned on its site and fueled with natural gas.

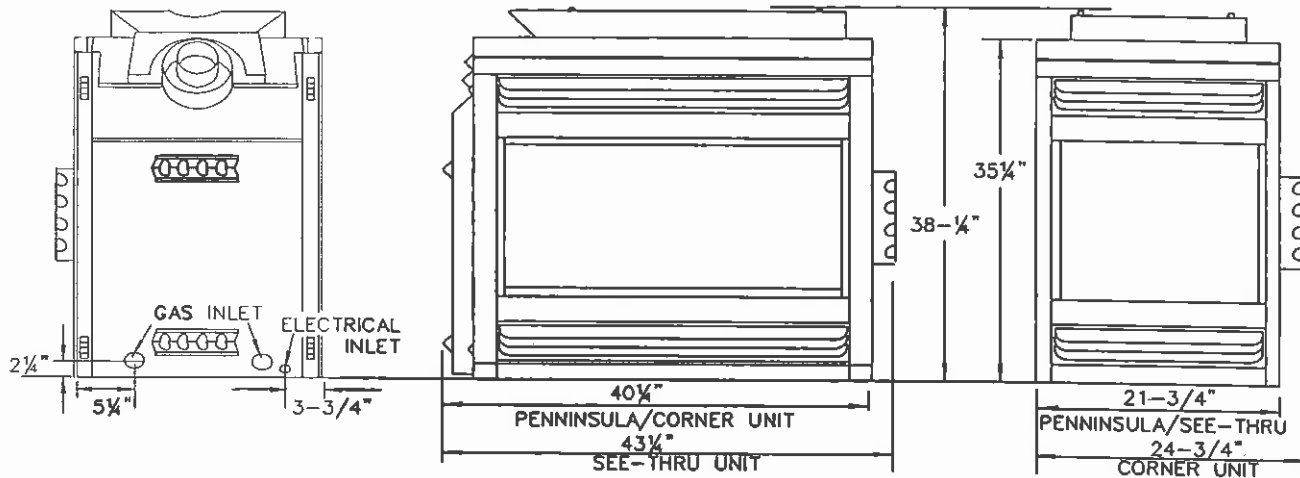
**NO EXTERNAL ELECTRICITY (110 VOLTS OR 24 VOLTS) IS REQUIRED FOR THE GAS SYSTEM OPERATION.** Expansion / contraction noises during heating up and cooling down cycles are normal and are to be expected.

## CARE OF GLASS, AND PLATED PARTS

Do not use abrasive cleaners to clean plated parts. Buff lightly with a clean dry cloth. The glass is 3/16" ceramic glass available from your Napoleon / Wolf Steel Ltd. dealer. **DO NOT SUBSTITUTE MATERIALS.** If the door glass should crack or break, do not operate the fireplace. Replace only with a door assembly certified with the fireplace. See **DOOR, LOUVRE AND TRIM INSTALLATION** for removal and replacement details. Clean the glass after the first 10 hours of operation with a recommended gas fireplace glass cleaner. Thereafter clean as required. **DO NOT CLEAN GLASS WHEN HOT!** If the glass is not kept clean permanent discoloration and / or blemishes may result.

*Provide adequate ventilation. Provide adequate accessibility clearance for servicing and operating the fireplace. Never obstruct the front openings of the fireplace.*

FIGURE 1



### WARNING

- Do not burn wood or other materials in this fireplace.
- Adults and especially children should be alerted to the hazards of high surface temperatures and should stay away to avoid burns or clothing ignition. Supervise young children when they are in the same room as the fireplace.
- Due to high temperatures, the fireplace should be located out of traffic and away from furniture and draperies.
- Clothing or other flammable material should not be placed on or near the fireplace.
- Any safety screen or guard removed for servicing must be replaced prior to operating the fireplace.
- It is imperative that the control compartments, burners and circulating blower and its passageway in the fireplace and venting system are kept clean. The fireplace and its venting system should be inspected before use and at least annually by a qualified service person. More frequent cleaning may be required due to excessive lint from carpeting, bedding material, etc. The fireplace area must be kept clear and free from combustible materials, gasoline and other flammable vapours and liquids.
- Under no circumstances should this fireplace be modified.
- This fireplace must not be connected to a chimney flue pipe serving a separate solid fuel burning appliance.
- Do not use this fireplace if any part has been under water. Immediately call a qualified service technician to inspect the fireplace and to replace any part of the control system and any gas control which has been under water.
- Do not operate the fireplace with the glass door removed, cracked or broken. Replacement of the glass should be done by a licensed or qualified service person.
- Do not strike or slam shut the fireplace glass door.

# VENTING

## VENTING LENGTHS

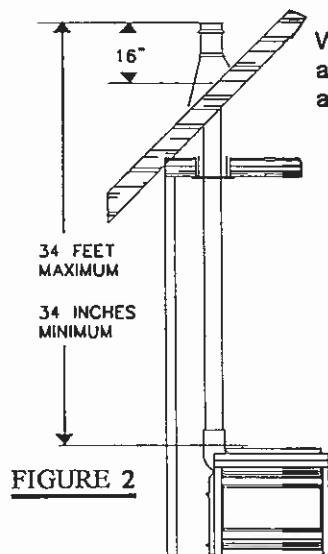
Use only Napoleon or Simpson Dura-Vent Model DV-GS venting components. Minimum and maximum vent lengths, for both horizontal and vertical installations, and air terminal locations for either system are set out in this manual and must be adhered to.

When using Napoleon venting components, use only the following vent kits: WALL TERMINAL KIT GD222, or 1/12 TO 7/12 PITCH ROOF TERMINAL KIT GD110, 8/12 TO 12/12 ROOF TERMINAL KIT GD111, FLAT ROOF TERMINAL KIT GD112 or PERISCOPE KIT GD201 (for wall penetration below grade) in conjunction with the various terminations, use either the 5 foot vent kit GD220 or the 10 foot vent kit GD330. For Simpson Dura-Vent, follow the installation procedure provided with the venting components.

These vent kits allow for either horizontal or vertical venting of the fireplace. The maximum number of 4" flexible connections is three horizontally or four vertically (excluding the fireplace and the air terminal connections).

For optimum flame appearance and fireplace performance, keep the vent length and number of elbows to a minimum. The air terminal must remain unobstructed at all times. Examine the air terminal at least once a year to verify that it is unobstructed and undamaged.

- All horizontal runs must have a 1 inch rise per foot in all cases using *Napoleon flexible venting components*.
- Horizontal runs can have a 0 inch rise per foot using *Simpson Dura-Vent components*.
- Provide a means for visually checking the vent connection to the fireplace after the fireplace is installed.
- Do not allow the inside liner to bunch up on horizontal or vertical runs and elbows. Keep it pulled tight. A 1/4" air gap between the inner and outer liner all around is required for safe operation.
- The first 2 feet of outer 7 inch diameter vent pipe from the appliance (or from the unit to the first firestop spacer if under 2 feet) must be wrapped in the 1 inch thick insulation sleeve (supplied) as well as having a 1 inch air gap.
- Use a firestop when penetrating interior walls, floor or ceiling.
- The fireplace must be installed against finished walls. Do not install against a vapour barrier or exposed insulation.



When terminating vertically, the vertical rise is a minimum 34 inches and a maximum 34 feet above the fireplace. FIGURE 2.

Do not radius vertical vent rises. FIGURE 3.

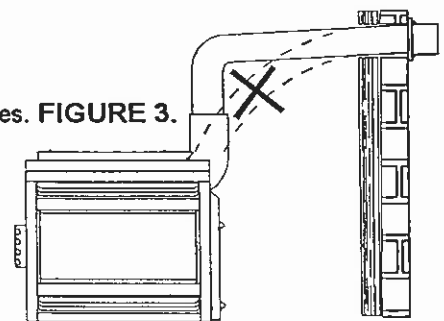


FIGURE 3

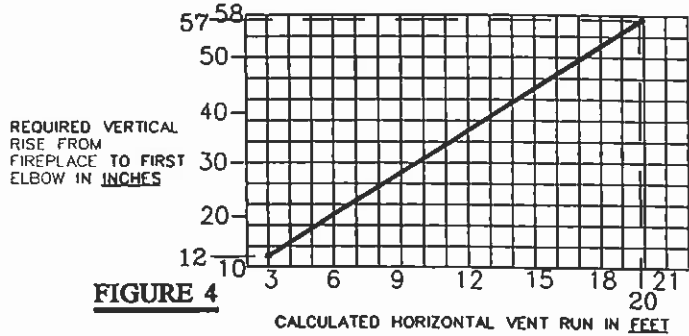
*FOR SAFE AND PROPER OPERATION OF THE FIREPLACE FOLLOW THE VENTING INSTRUCTION EXACTLY.*

*DEVIATION FROM THE MINIMUM VERTICAL VENT LENGTH CAN CREATE DIFFICULTY IN BURNER START-UP AND/OR CARBONING.*

*IF VERTICAL RISES GREATER THAN 57 INCHES ARE NECESSARY, THE INCREASED RISE MUST BE DEDUCTED FROM THE HORIZONTAL RUN. (FIGURES 3, AND 5a-c.)*

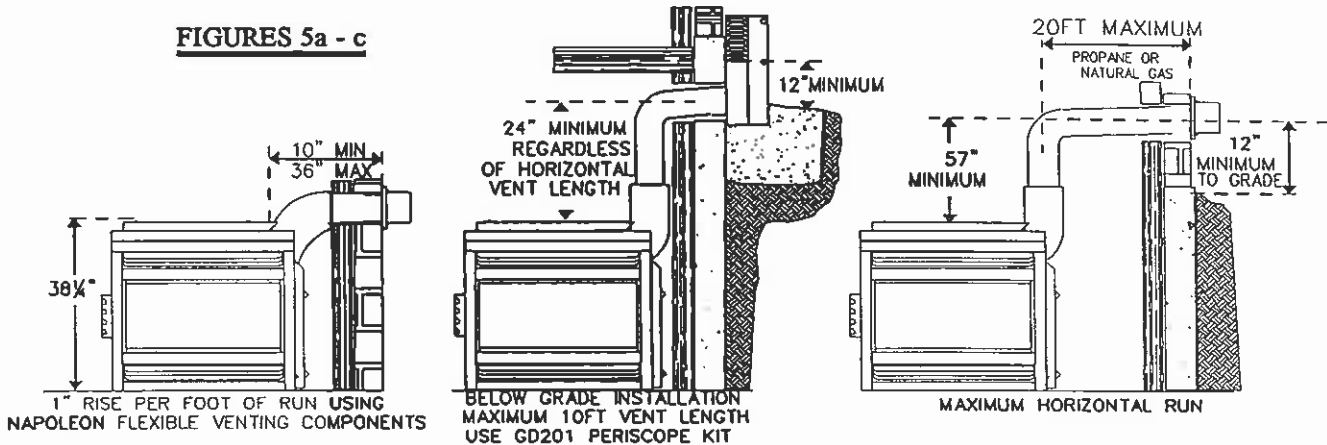
**VENTING OPTION #1**

WHEN VENTING, THE HORIZONTAL RUN MUST BE KEPT TO A MINIMUM OF 10 INCHES OR A MAXIMUM OF 20 FEET. IF A 20 FOOT HORIZONTAL RUN IS REQUIRED, THE FIREPLACE MUST HAVE A MINIMUM VERTICAL RISE IMMEDIATELY OFF THE FIREPLACE OF 57 INCHES. FIGURES 5a-c.



**FIGURE 4**

**FIGURES 5a - c**



Use the chart on this page to calculate vertical rises for horizontal runs between 3 and 20 feet. **FIGURE 4.** When calculating maximum run lengths, include 10 feet for each 90° elbow or 5 feet for each 45° elbow. (DO NOT INCLUDE THE FIRST ELBOW DIRECTLY OFF THE UNIT.)

**INSTALLATION EXAMPLE**

A through the roof installation requires a total 5 foot rise. **FIGURE 6.** The location of the fireplace dictates a horizontal run of 5 feet. What is the required vertical rise to the centre of the initial 90° elbow?

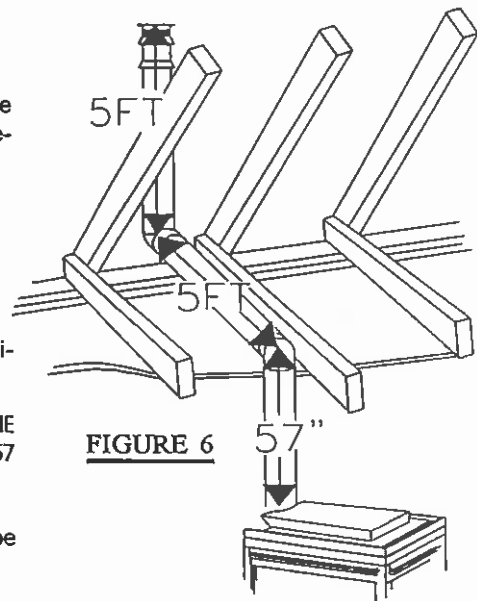
- The total run is:
- 5 ft. (through the roof vertical rise)
  - 10 ft. (90° elbow)
  - 5 ft. (horizontal run)
  - 20 ft. (total run)

Using the chart, will determine that a 57 inch minimum vertical rise immediately off the unit is required for satisfactory venting conditions.

ALTHOUGH THE IMMEDIATE VERTICAL RUN MAY BE GREATER THAN 57 INCHES, THE MAXIMUM COMBINATION OF HORIZONTAL AND VERTICAL RUNS, BEYOND THE 57 INCHES, *MUST NOT EXCEED 20 FEET.*

Only the following Napoleon Vent Kits, used in combination with each other can be used:

- GD201, GD222, GD110, GD111 or GD112 (Periscope, Wall or Roof Terminals)
- and
- GD220 (5ft vent kit) or/and GD330 (10ft vent kits)

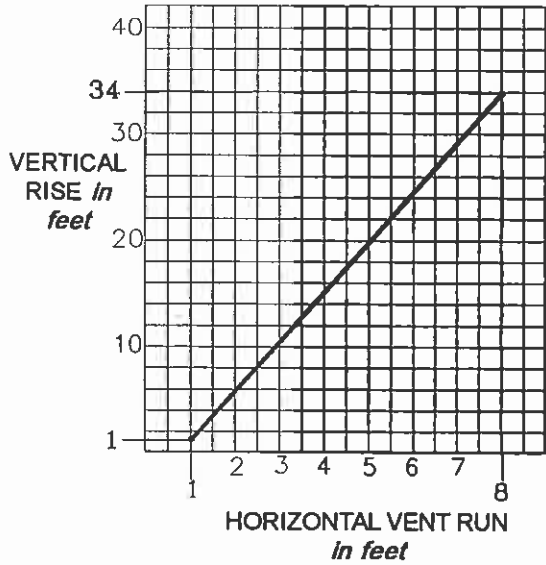


**FIGURE 6**

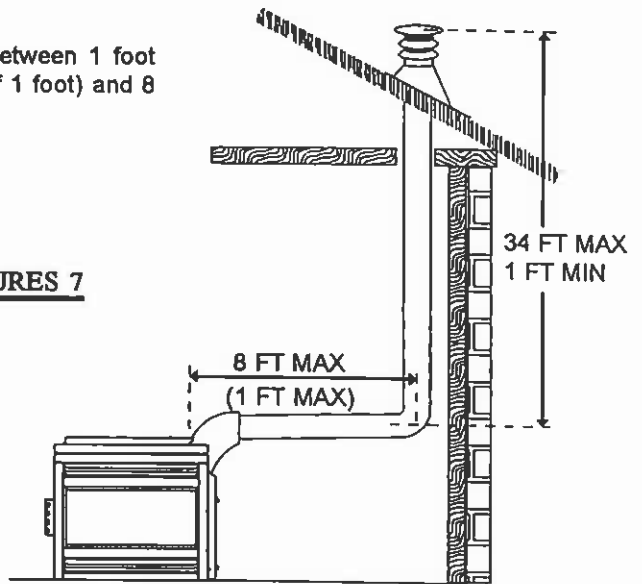


**VENTING OPTION #2**

Use this chart to calculate vertical rise for horizontal run between 1 foot (maximum length when the vertical rise is at its minimum of 1 foot) and 8 feet. FIGURES 7.

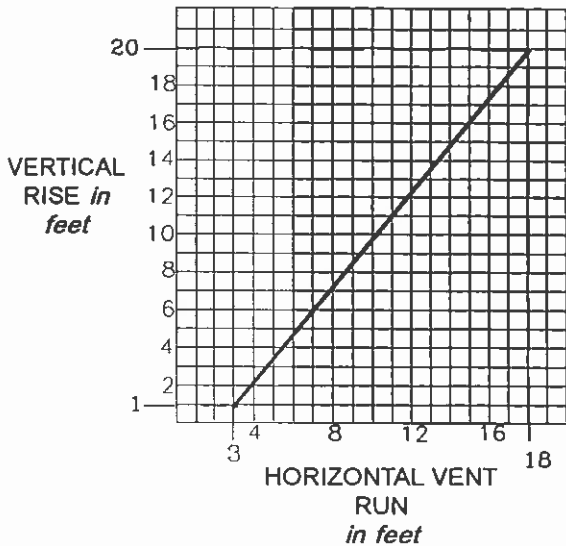


**FIGURES 7**

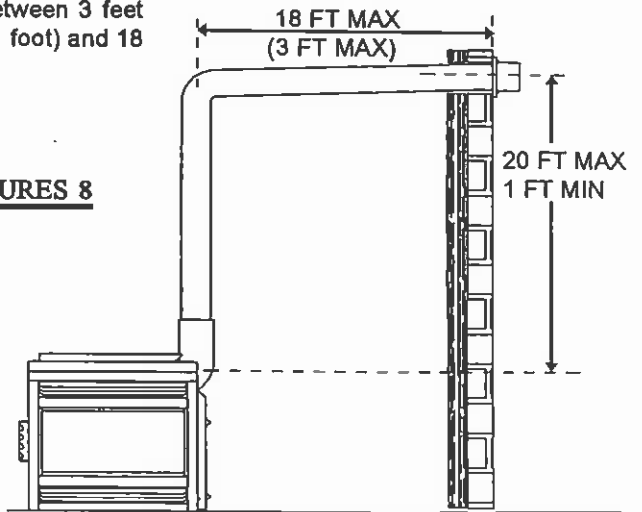


**VENTING OPTION #3**

Use this chart to calculate vertical rise for horizontal run between 3 feet (maximum length when the vertical rise is at its minimum of 1 foot) and 18 feet. FIGURES 8.

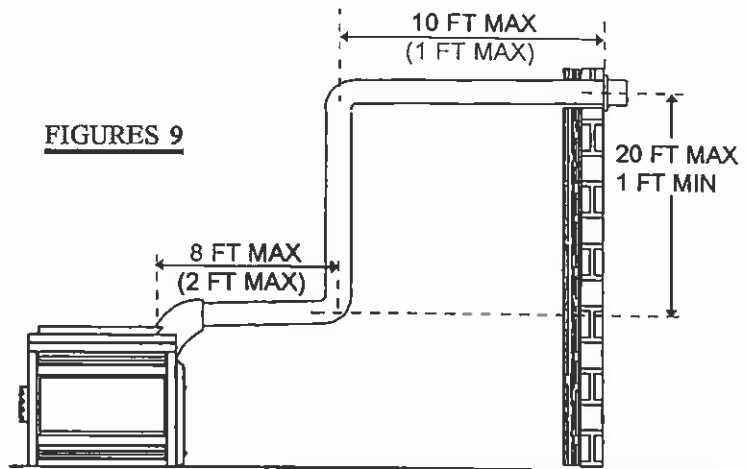
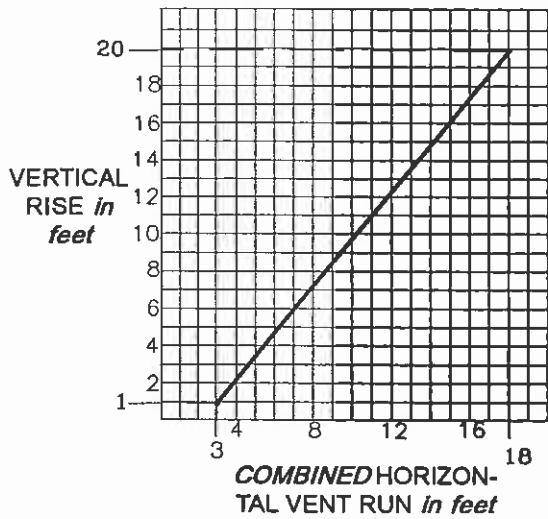


**FIGURES 8**



## VENTING OPTION #4

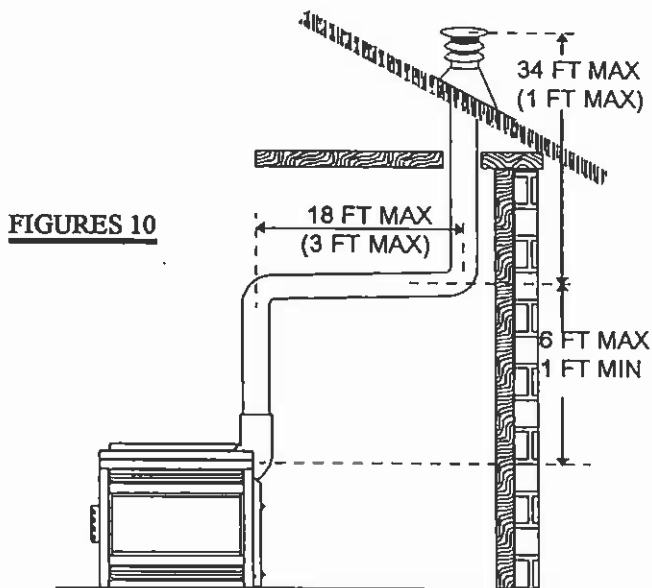
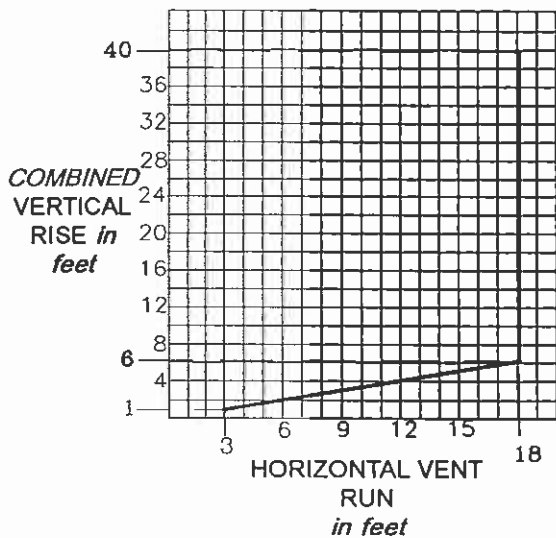
Use this chart to calculate the vertical rise when using a total of 2 horizontal runs that consist of 8 feet maximum or 2 feet (maximum length when the vertical rise is at its minimum of 1 foot) for the first run and a 10 feet maximum or 1 foot (maximum length when the vertical rise is at its minimum of 1 foot) for the second run. FIGURES 9.



FIGURES 9

## VENTING OPTION #5

Use this chart to calculate the total vertical rise required when the horizontal run is between 18 feet maximum or 3 feet maximum length when the initial vertical rise is at its minimum of 1 foot. FIGURES 10.



FIGURES 10

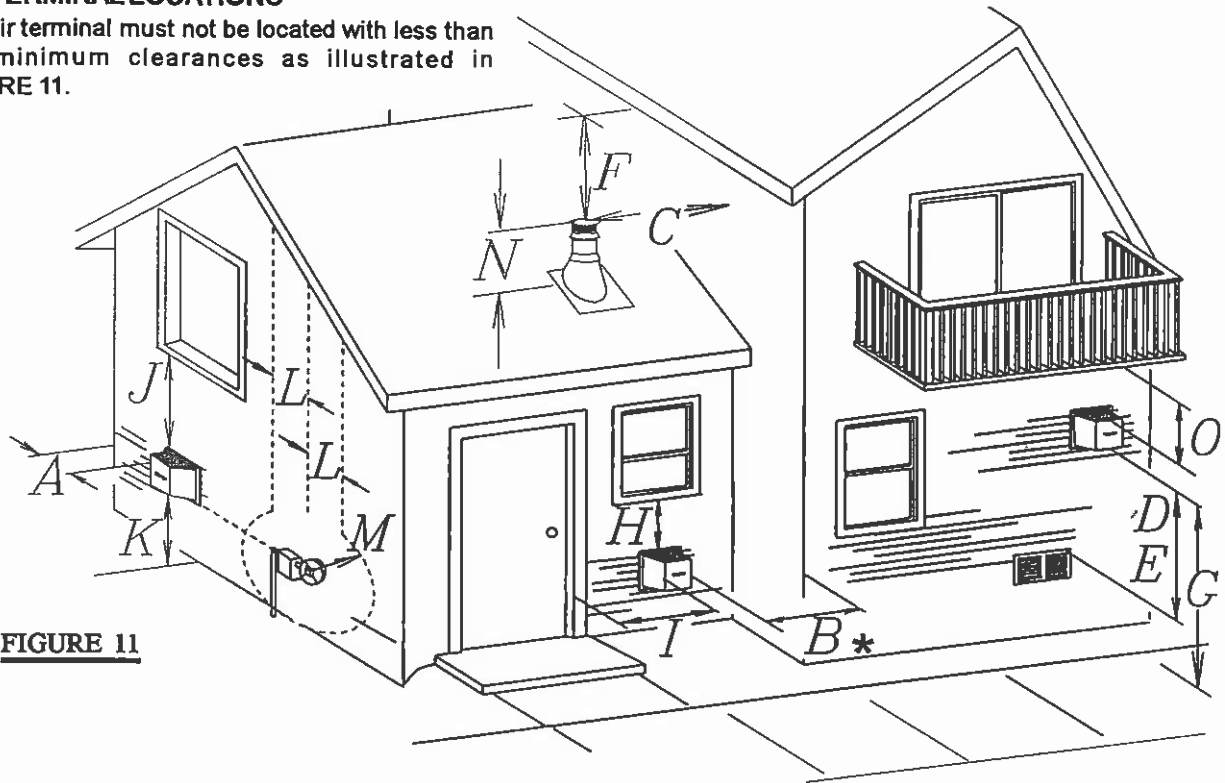
## MOBILE HOME INSTALLATION

In Canada, mobile home installation may be vented horizontally or vertically. In the United States, it may only be installed vertically. See "Vertical Venting" or "Horizontal Air Terminal Installation" for installation.

The fireplace is equipped with four 1/4" diameter holes located near each corner of the base. For mobile home installations, the fireplace must be fastened in place. Use #10 hex head screws, inserted through the holes in the base to secure. It is recommended that the fireplace be secured in all installations.

## AIR TERMINAL LOCATIONS

The air terminal must not be located with less than the minimum clearances as illustrated in FIGURE 11.



**FIGURE 11**

(A) Flush ( 0 inches) with outside non-combustible corner walls.

Two inches from outside combustible corner walls.

(B) Flush ( 0 inches) with inside corner walls or protruding non-combustible obstructions (vent chase, etc)

Two inches from inside corner walls or protruding combustible obstructions (chimney, etc)

(C) Two feet from adjacent walls, including neighbouring buildings.

(D) One foot from the sides, top and bottom of a non-mechanical combustion or ventilation air supply.

(E) Six feet from mechanical combustion or ventilation air supplies.

(F) One foot to an unventilated soffit located above the terminal or eighteen inches to a ventilated soffit located above the terminal, provided the soffit is sealed for a distance of 24 inches either side of the centre line of the terminal.

(G) Seven feet above public walkways unless fitted with heat shield kit GD301.

(H) One foot below windows that open.

(I) One foot from the side of doors and windows that open.

(J) One foot from permanently closed windows.

(K) One foot above grade.

(L) Above a regulator/meter assembly and three feet from the vertical centre-line of the assembly.

(M) Six feet from a gas service regulator vent outlet.

(N) Sixteen inches above the roof.

(O) One foot to the underside of a veranda, porch, deck or balcony that has a minimum of two open sides.

\* The periscope requires a minimum clearance of 18 inches from the inside corner.

A TERMINAL SHALL NOT TERMINATE DIRECTLY ABOVE A SIDEWALK OR PAVED DRIVEWAY WHICH IS LOCATED BETWEEN TWO SINGLE FAMILY DWELLINGS AND SERVES BOTH DWELLINGS. LOCAL CODES OR REGULATIONS MAY REQUIRE DIFFERENT CLEARANCES.

ALL HORIZONTAL RUNS MUST HAVE A MINIMUM 1/4" RISE PER FOOT WHEN USING NAPOLEON FLEXIBLE VENTING COMPONENTS.

DO NOT ALLOW THE INSIDE LINER TO BUNCH UP ON HORIZONTAL OR VERTICAL RUNS AND ELBOWS. KEEP IT PULLED TIGHT. A 1/4" AIR GAP ALL AROUND BETWEEN THE INNER LINER AND OUTER STOVE-PIPE IS REQUIRED FOR SAFE OPERATION. USE A FIRESTOP WHEN PENETRATING INTERIOR WALLS, FLOOR OR CEILING.

# PENINSULA INSTALLATION PROCEDURE

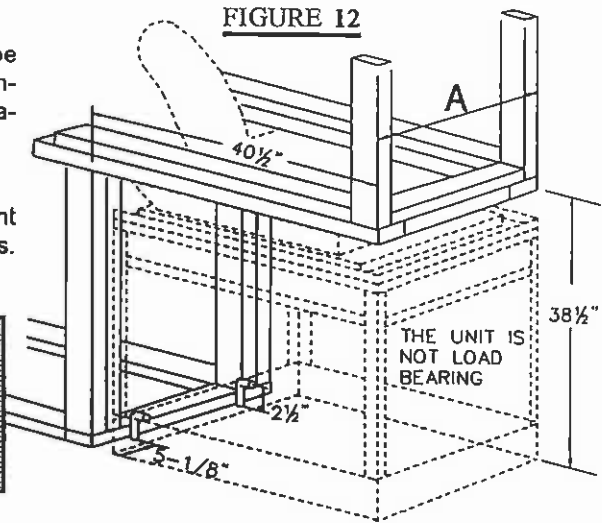
## VENTING

Refer to page 18. The first 2 feet of outer 7 inch diameter vent pipe from the appliance or from the unit to the first firestop spacer (whichever distance is less) must be wrapped in the 1 inch thick insulation sleeve (supplied) as well as having a 1 inch air gap.

## FRAMING

It is best to frame your fireplace after it is positioned and the vent system is installed. Use 2x4's and frame to local building codes. FIGURE 12.

*To install the fireplace face flush with the finished wall, position the framework to accommodate the thickness of the finished wall. The fireplace must be installed against finished walls. Do not install against a vapour barrier or exposed insulation.*



$A = 21\text{-}3/4\text{'}$  minus finishing material thickness each side.

## COUNTERTOP / BAR INSTALLATION

When finishing the fireplace, a combustible material may rest directly on top of the fireplace extension frame. In order to achieve a countertop or bar type appearance with the minimum height allowed, framing must be non-combustible and may be done with metal studding attached to the heat shield sides or the upper frame of the fireplace. FIGURE 14.

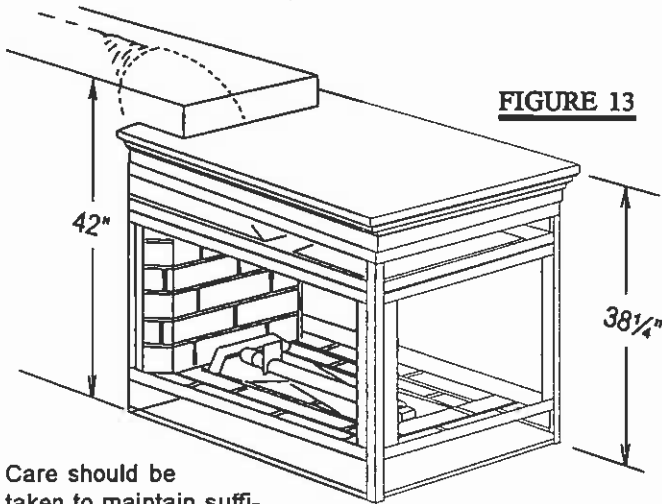


FIGURE 13

Care should be taken to maintain sufficient clearance for the vent installation. A horizontal vent installation requires a minimum height of 42" (including the 2" clearance to combustibles). FIGURE 13.

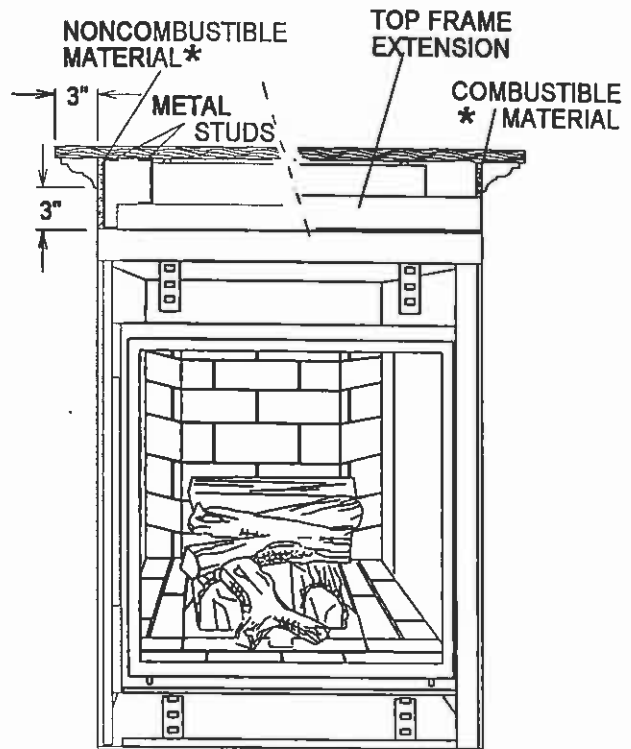


FIGURE 14

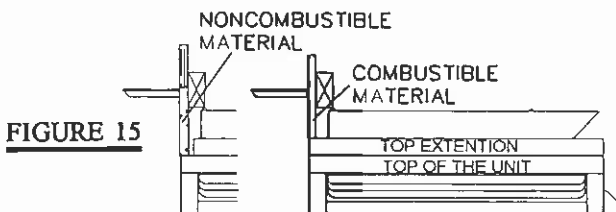
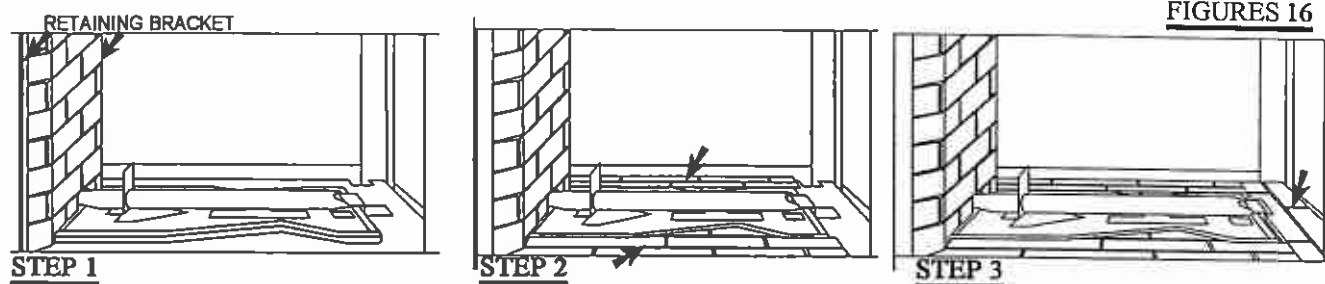


FIGURE 15

\* The three-sided top extension frame may be removed if framing is faced with a non-combustible material placed flush with the front face of the unit and extending from the top of the unit. (example: cement board)(not supplied).

## BRICK PANEL INSTALLATION

Insert the side panel and install the retaining brackets at either side to secure the panel. Install the remaining panels as illustrated. FIGURES 16.



## FACING

Combustible materials may be installed flush with the front of the fireplace but must not cover any of the black face-areas of the fireplace. Non-combustible material (brick, stone or ceramic tile) may protrude in these areas.

It is not necessary to install a hearth extension with this fireplace system.

*Objects placed in front of the fireplace should be kept a minimum of 24" away from the front face.*

FIGURE 17.

## FINISHING

Refer to page 20 for complete instructions regarding mantle requirements and installations, log placement, glass door and upper and lower louvre attachments.

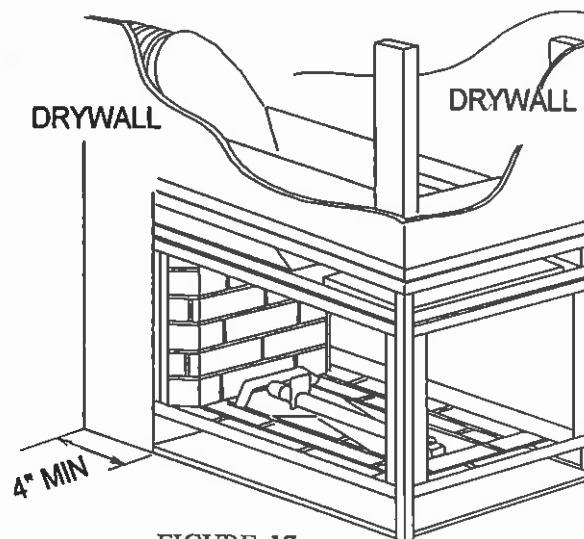
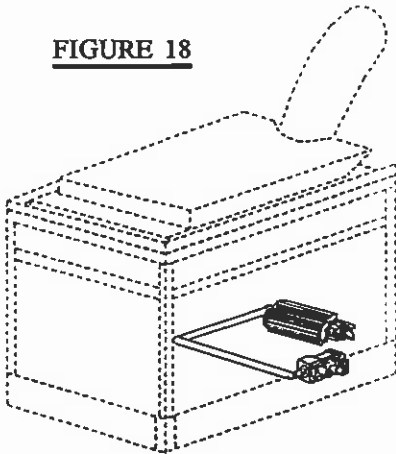


FIGURE 17

# OPEN END INSTALLATION PROCEDURE

**FIGURE 18**



## VENTING

Refer to page 18 for venting specifics. The first 2 feet of outer 7 inch diameter vent pipe from the appliance or from the unit to the first firestop spacer (whichever distance is less) must be wrapped in the 1 inch thick insulation sleeve (supplied) as well as having a 1 inch air gap.

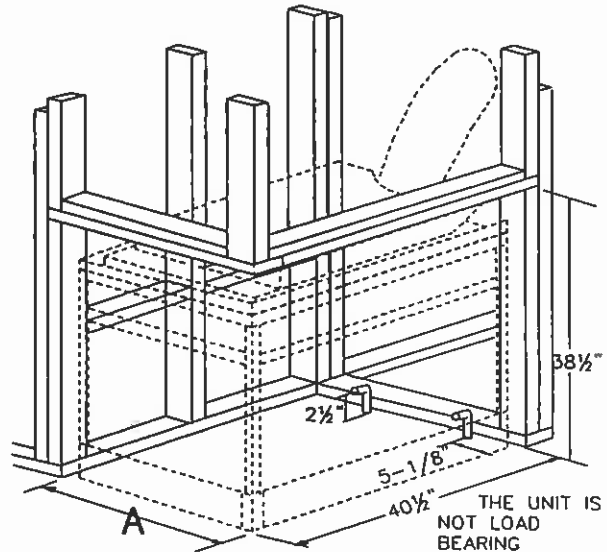
## FRAMING

It is best to frame your fireplace after it is positioned and the vent system is installed. Use 2x4's and frame to local building codes. FIGURE 19. See PAGE 12 for bar type / countertop installation.

If a blower is to be used, for ease of installing or servicing the blower, route the gas line through the rear gas access hole. FIGURE 18.

**FIGURE 19**

*NOTE: LEFT CORNER UNIT ILLUSTRATED*

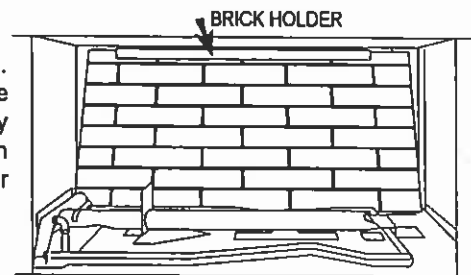


*A = 21-3/4" minus finishing material thickness each side.*

*To install the fireplace face flush with the finished wall, position the framework to accommodate the thickness of the finished wall. The fireplace must be installed against finished walls. Do not install against a vapour barrier or exposed insulation.*

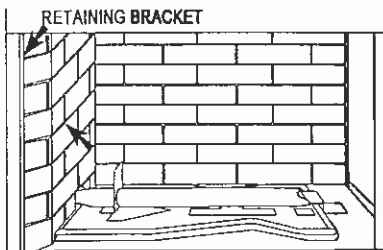
## BRICK PANEL INSTALLATION

Start by inserting the top of the rear panel into the brick holder as illustrated. Push the bottom of the panel tight against the door cover. Insert the side panel and install the retaining bracket at the end to secure the panel. (Only one bracket is required.) Install the remaining panels as illustrated. When installing the bricks in step 3, slide the left floor panel underneath the rear brick panel. FIGURES 20.

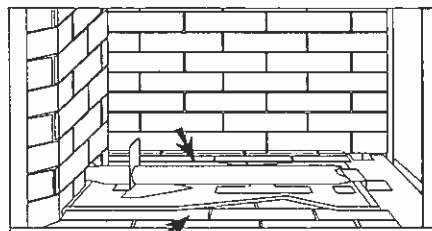


**STEP 1**

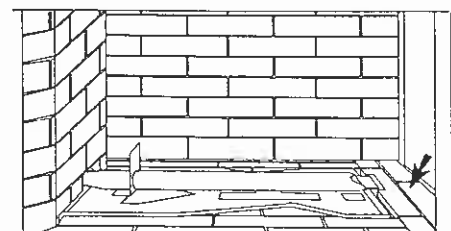
**FIGURES 20**



**STEP 2**



**STEP 3**



**STEP 4**

## FACING

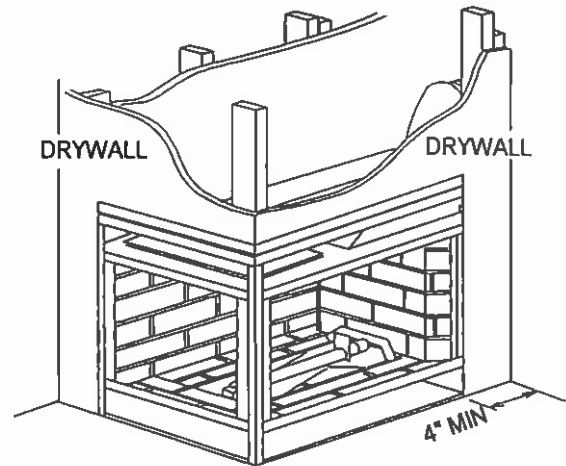
Combustible materials may be installed flush with the front of the fireplace but must not cover any of the black face-areas of the fireplace. Non-combustible material (brick, stone or ceramic tile) may protrude in these areas.

It is not necessary to install a hearth extension with this fireplace system.

*Objects placed in front of the fireplace should be kept a minimum of 24" away from the front face.* FIGURE 21.

## FINISHING

Refer to page 20 for complete instructions regarding mantle requirements and installations, log placement, glass door and upper and lower louvre attachments.



**FIGURE 21**

# SEE-THRU INSTALLATION PROCEDURE

## VENTING

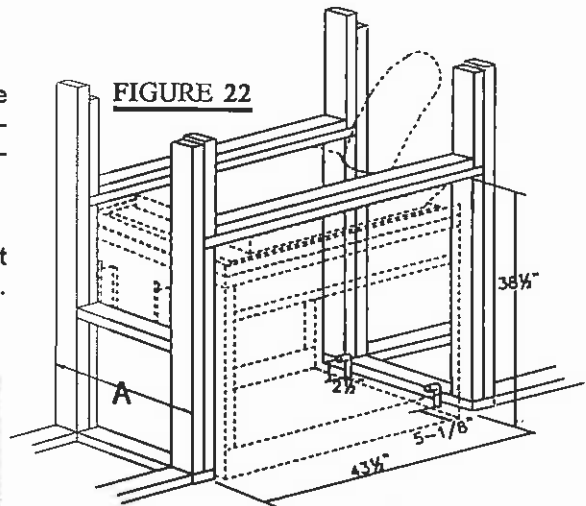
Refer to page 18. The first 2 feet of outer 7 inch diameter vent pipe from the appliance or from the unit to the first firestop spacer (whichever distance is less) must be wrapped in the 1 inch thick insulation sleeve (supplied) as well as having a 1 inch air gap.

## FRAMING

It is best to frame your fireplace after it is positioned and the vent system is installed. Use 2x4's and frame to local building codes. FIGURE 22.

See PAGE 12 for bar type / countertop installation.

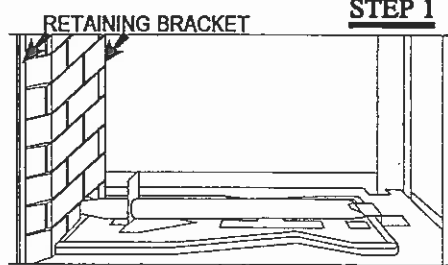
*To install the fireplace face flush with the finished wall, position the framework to accommodate the thickness of the finished wall. The fireplace must be installed against finished walls. Do not install against a vapour barrier or exposed insulation.*



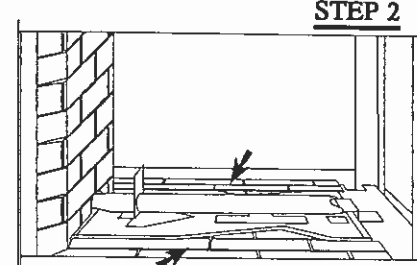
A = 21-3/4" minus finishing material thickness, each side.

## BRICK PANEL INSTALLATION

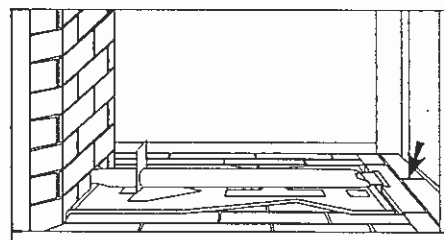
Insert the first side panel and install the retaining brackets at either end to secure the panel. Install the remaining panels as illustrated. Install the second side panel *with the notch to the top*. Secure with a retainer and screw. FIGURES 23.



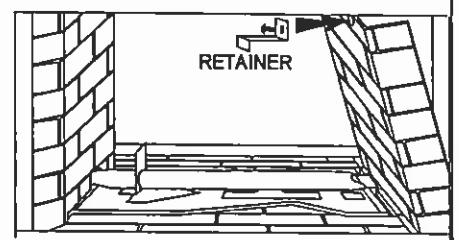
STEP 1



STEP 2



STEP 3



STEP 4

FIGURES 23

## FACING

Combustible materials may be installed flush with the front of the fireplace but must not cover any of the black face-areas of the fireplace. Non-combustible material (brick, stone or ceramic tile) may protrude in these areas.

It is not necessary to install a hearth extension with this fireplace system.

Objects placed in front of the fireplace should be kept a minimum of 24" away from the front face.

FIGURE 24.

## FINISHING

Refer to page 20 for complete instructions regarding mantle requirements and installations, log placement, glass door and upper and lower louvre attachments.

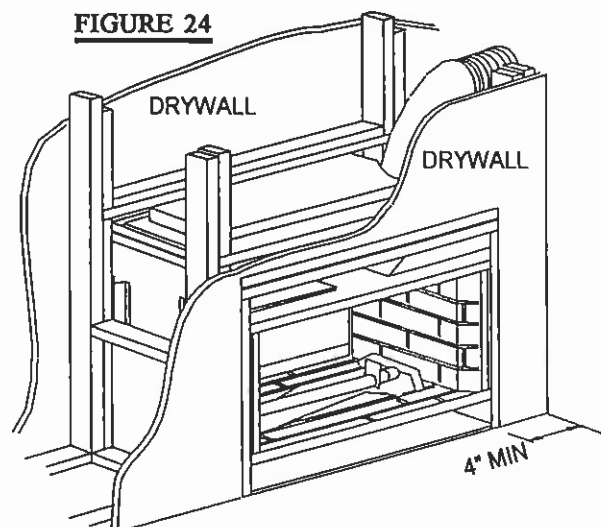
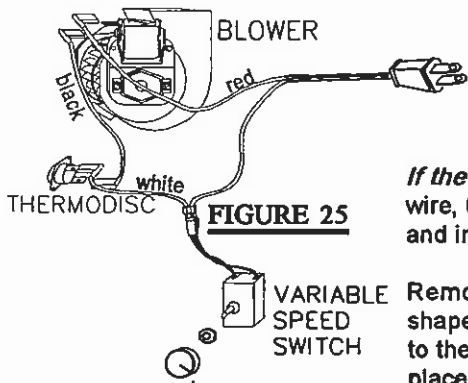


FIGURE 24



# OPTIONAL BLOWER INSTALLATION



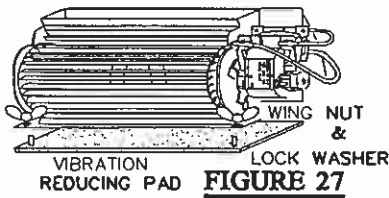
**FIGURE 25**

**INSTALLATION TO BE DONE BY A QUALIFIED INSTALLER** and must be electrically connected and grounded in accordance with local codes. In the absence of local codes, use the current CSA C22.1 CANADIAN ELECTRICAL CODE in Canada or the ANSI/NFPA 70-1990 NATIONAL ELECTRICAL CODE in the United States.

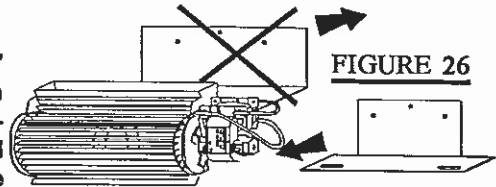
*If the fireplace was not previously equipped with a blower:* route a grounded 2-wire, 60hz power cable to the junction box. At this point, it must be strain relieved and insulated.

Remove the blower from the "L" shaped mounting bracket and attach to the bracket supplied with the fireplace. This bracket is found secured on the mounting studs located at the bottom of the vent side wall .

Position the vibration reducing pad, centered, onto the 2 threaded studs, piercing 2 holes into the pad. The blower must be able to be positioned entirely onto the pad.



**FIGURE 27**

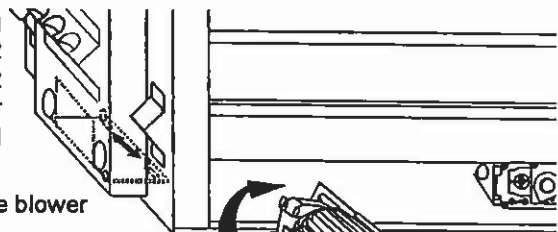


**FIGURE 26**

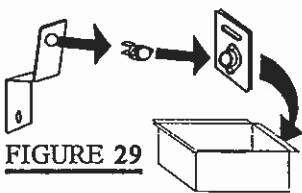
Tilt the blower onto its side and slide it past the controls. Position the blower onto the studs.

The blower bracket contains slots that allow the blower to be positioned away from the intended gas supply hole.

Secure the blower using the lock washers and wing nuts provided.



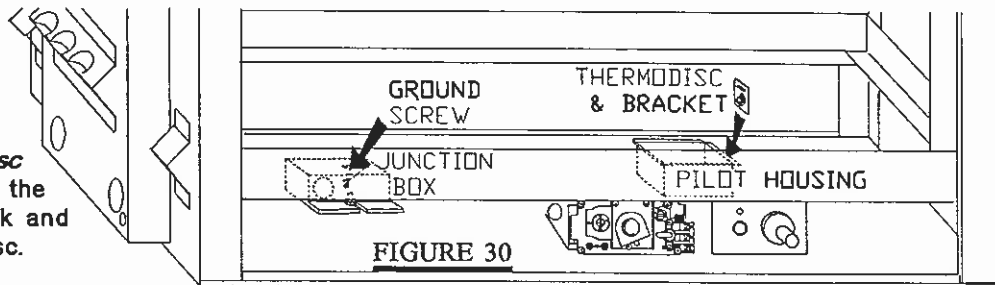
**FIGURE 28**



**FIGURE 29**

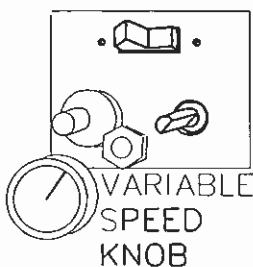
Remove the thermodisc from the "Z" shaped mounting bracket and re-attach to the bracket supplied in the burner kit. This bracket is found secured to the pilot housing behind the variable speed / piezo ignitor bracket.

*Do not overtighten thermodisc or distort housing.* Attach the connectors from the black and white wires to the thermodisc.



**FIGURE 30**

Attach the connectors from the



**FIGURE 31**

black and red wires to the blower. Attach and secure the variable speed switch using the nut provided. Plug the harness cord into the receptacle.

*The wire harness provided in this kit is a universal harness. When installed, ensure that any excess wire is contained, preventing it from making contact with moving or hot objects.*

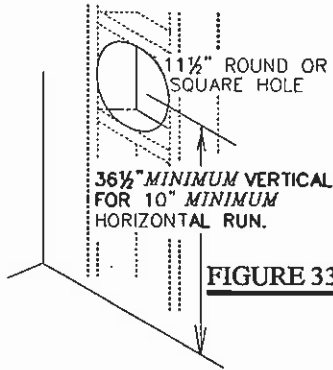
*Because the blower is thermally activated, when turned on, it will automatically start approximately 15-30 minutes after lighting the fireplace and will run for approximately 30-45 minutes after the fireplace has been turned off. Use of the fan increases the output of heat.*

# VENTING SPECIFICS

## HORIZONTAL AIR TERMINAL INSTALLATION

This application occurs when venting through an exterior wall. **FIGURE 32.** If venting through a combustible wall, fasten the air terminal to a terminal expansion plate. Having determined the air terminal location:

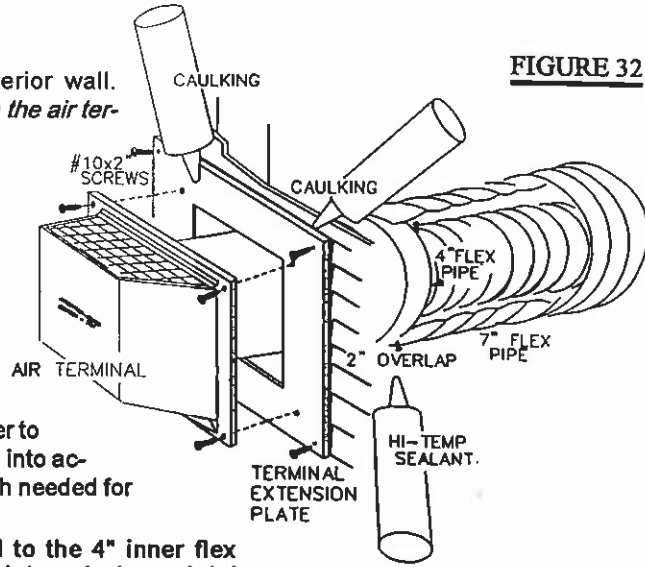
1. Cut or frame a hole in an exterior wall with a minimum round or square opening of 11½ inches. **FIGURE 33.** Secure the firestop spacer over the opening to the interior wall.



**FIGURE 33**

2. Stretch the 4" diameter aluminum flexible liner to the required length taking into account the additional length needed for the finished wall surface.

Spacers are attached to the 4" inner flex liner at predetermined intervals to maintain a 1¼" air gap to the 7" outer liner. These spacers must not be removed.

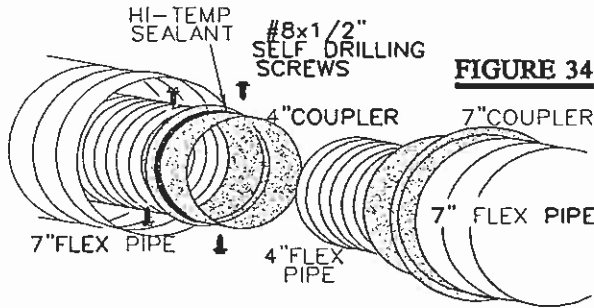


**FIGURE 32**

Slip the liner a minimum of 2" over inner sleeve of the air terminal and secure with 3 #8 screws. Apply a heavy bead of the high temperature sealant.

3. Using the 7" diameter flexible aluminum liner, slide over the outer combustion air sleeve of the air terminal and secure with 3 #8 screws. Seal as before.

4. Insert the liners through the firestop maintaining a 2" clearance to combustibles. Holding the air terminal (lettering in an upright, readable position), secure to the exterior wall and make weather tight by sealing with caulking (not supplied). *If venting through a combustible wall, ensure that the air terminal has been fastened to the terminal extension plate. THE AIR TERMINAL EXTENSION PLATE MUST NOT BE RECESSED INTO THE EXTERIOR WALL OR SIDING.*

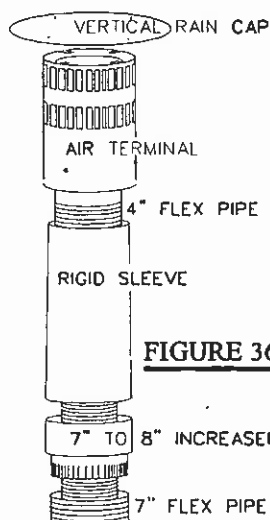


**FIGURE 34**

5. If more than one length of liner needs to be used to reach the fireplace, couple them together as illustrated in **FIGURE 34**. Seal the joints using the same procedure as described in points 2 and 3. The vent system must be supported every 3 feet, for both vertical and horizontal runs. Use Napoleon support GA-GD-010.370 or equivalent non-combustible strapping to maintain the 2" clearance from combustibles.

## VERTICAL VENTING INSTALLATION THIS APPLICATION OCCURS WHEN VENTING THROUGH A ROOF.

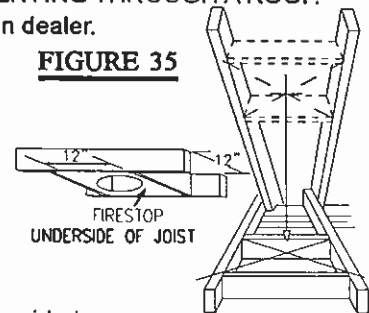
**FIGURE 2.** Installation kits for various roof pitches are available from your Napoleon dealer.



**FIGURE 36**

See Accessories to order the specific kit required.

1. Having determined the air terminal location, cut and frame a 12" opening in the roof to provide the minimum 2" clearance between the fireplace pipe and any combustible material. **DO NOT FILL THIS SPACE WITH ANY TYPE OF MATERIAL.** Nail headers between the joists for extra support. A firestop must be placed on the bottom of each framed opening in a roof or ceiling that the vent pipe passes through. **FIGURE 35.**

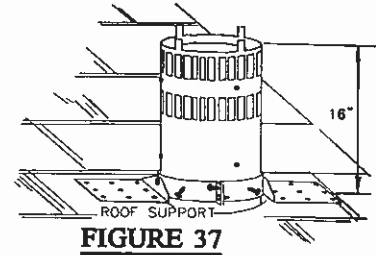


**FIGURE 35**

2. Fasten the roof support to the roof using the screws provided.
3. Stretch the 4" diameter aluminum flexible liner to the required length. Slip the liner a minimum of 2" over the inner sleeve of the air terminal and secure with 3 #8 screws. Seal using a heavy bead of the high temperature sealant.

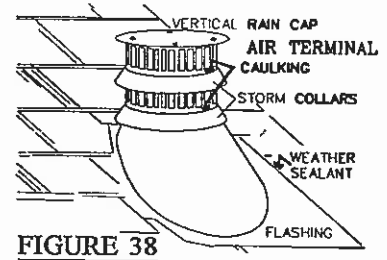
4. Slide the narrow end of the rigid sleeve 2" into the outer sleeve of the terminal. Secure and seal as before. Attach a 7 to 8 inch increaser to the rigid sleeve. Secure and seal. Repeat using the 7" diameter flexible aluminum liner. Slide a minimum of 2" over the increaser. Secure with 3 #8 screws and seal. **FIGURE 36.**

5. Thread the air terminal pipe assembly down through the roof. The air terminal must be located vertically and plumb. Attach the air terminal assembly to the roof support, ensuring that a minimum 16" of air terminal will penetrate the roof when fastened. **DO NOT CLAMP THE FLEXIBLE ALUMINUM LINER.** FIGURE 37.



6. Remove nails from the shingles, above and to the sides of the chimney. Place the flashing over the air terminal and slide it underneath the sides and upper edge of the shingles. Ensure that the air terminal is properly centered within the flashing, giving a 3/4" margin all around. Fasten to the roof. Do not nail through the lower portion of the flashing. Make weather-tight by sealing with caulking. Where possible, cover the sides and top edges of the flashing with roofing material.

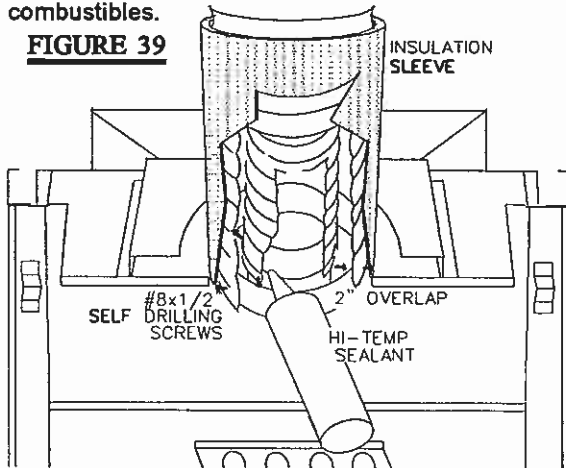
7. Apply a heavy bead of weatherproof caulking 2 inches above the flashing. Slide the storm collar around the air terminal and down to the caulking. Tighten to ensure that a weather-tight seal between the air terminal and the collar is achieved. Attach the other storm collar centered between the air intake and the air exhaust slots onto the air terminal. Tighten securely. FIGURE 37. Attach the vertical rain cap.



Spacers are attached to the 4" inner flex liner at predetermined intervals to maintain a 1-1/4" air gap to the 7" outer liner. These spacers must not be removed.

8. If more liner needs to be used to reach the fireplace, follow the same procedure as found in the SECTION ON HORIZONTAL AIR TERMINAL INSTALLATION, POINT 5. The vent system must be supported approximately every 3 feet for both vertical and horizontal runs. Use Napoleon support ring assembly GA-GD-010.370 or equivalent noncombustible strapping to maintain the minimum 2" clearance to combustibles.

FIGURE 39



**FIREPLACE VENT CONNECTION**

1. Slide the insulation sleeve over the 7" diameter aluminum flex liner. *The insulation sleeve is only required for the first 24" off the fireplace or from the fireplace to the first firestop spacer (whichever distance is less) and needs only a 1" clearance.*

2. Install the 4 inch diameter aluminum flexible liner to the fireplace. Secure with 3 screws. Seal the joint and screw holes using the high temperature sealant provided. FIGURE 39.

3. Install the 7 inch diameter aluminum flexible liner to the fireplace. Attach and seal the joints. Pull the insulation sleeve tight to the top of the fireplace.

*Read Page 21 for information on opening the door prior to proceeding to prevent damage to the unit. Proceed once the vent installation is complete.*

**GAS SUPPLY CONNECTION**

1. Move the fireplace into position and secure to the floor using #10 hex head screws (not supplied). FIGURE 44.
2. Route a 3/8" N.P.T. black iron gas line, 1/2" type-L copper tubing or equivalent to the fireplace.
3. For ease of accessibility, an optional remote wall switch or millivolt thermostat may be installed in a convenient location. Route single strand millivolt wire through the electrical hole located at the bottom left side of the unit. The recommended maximum lead length depends on wire size:

WIRE SIZE	MAX. LENGTH
14 gauge	100 feet
16 gauge	60 feet
18 gauge	40 feet

**DO NOT CONNECT EITHER THE WALL SWITCH, THERMOSTAT OR GAS VALVE TO ELECTRICITY (110 VOLTS).**

Attach the two leads to terminals 1 and 3 located on the gas valve. FIGURE 40.

4. Install rigid black pipe, 1/2" type-L copper tubing or, if local codes permit, a 3/8" flex connector and shutoff valve to the gas line and the fireplace gas valve. Seal and tighten securely. An adapter fitting is required between the gas valve and the copper tubing or flex connector.

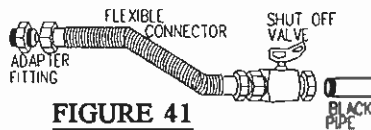


FIGURE 41

**DO NOT KINK FLEX CONNECTOR.** FIGURE 41.

5. Check for gas leaks by brushing on a soap and water solution. **DO NOT USE OPEN FLAME.**

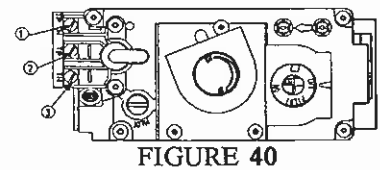
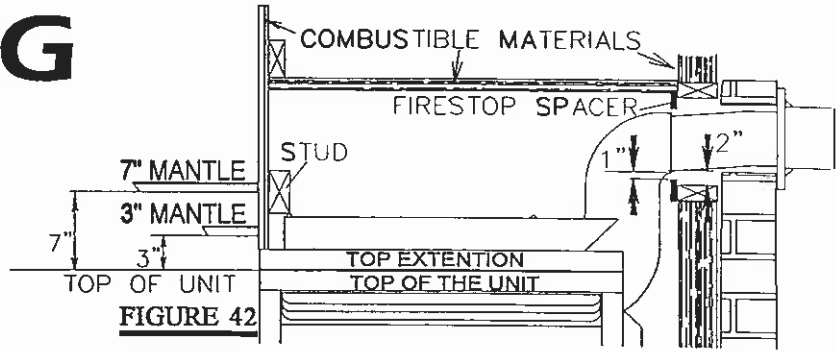
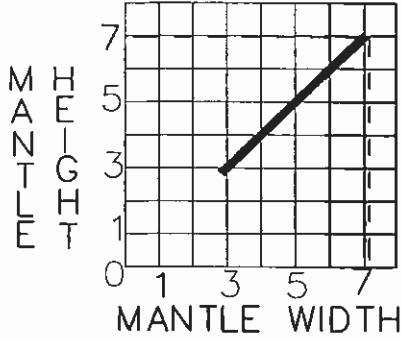


FIGURE 40

**PURGE ALL GAS LINES WITH THE GLASS DOOR OF THE FIREPLACE REMOVED. ASSURE THAT A CONTINUOUS GAS FLOW IS AT THE BURNER BEFORE RE-INSTALLING THE DOOR.**

# FINISHING

## MANTLE INSTALLATION

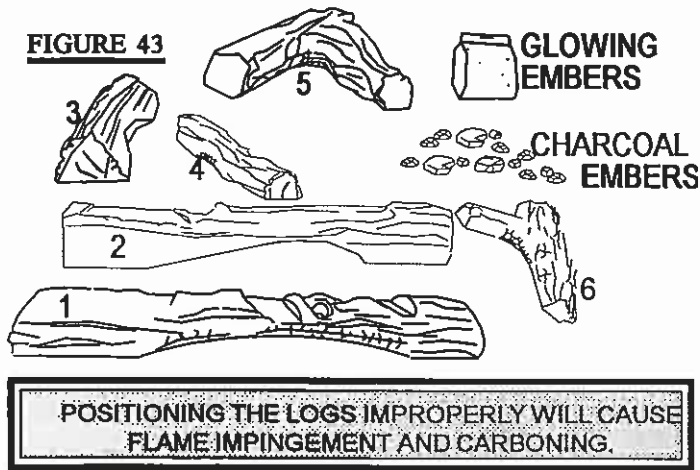


Combustible mantle clearance can vary according to the mantle depth. FIGURE 42. Use the graph to help evaluate the clearance needed. The three-sided top extension frame may be removed if framing is faced with a non-combustible material. SEE FIGURE 15, PAGE 12.

## LOG, CHARCOAL & GLOWING EMBERS PLACEMENT INSTRUCTIONS

**PHAZER™** logs, glowing and charcoal embers, exclusive to Napoleon Fireplaces, provide a unique and realistic glowing effect that is different in every installation. Take the time to carefully position the embers for a maximum glowing effect.

FIGURE 43



The logs have been numbered for ease of installation. Place logs 1 and 2 tight to the main burner deflector, shown in FIGURE 44, and the end brick panel. Both logs should be parallel. Position the remaining logs as shown. Log #6 may be positioned as desired providing it does not interfere with the burner ports and the flames. Log #6 is not included in the See-Thru unit.

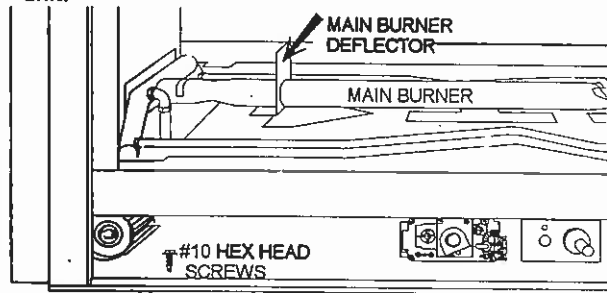
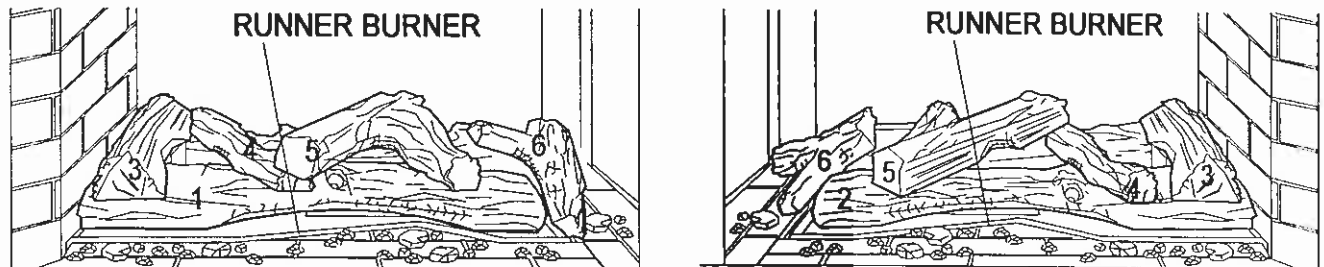


FIGURE 44

Log colours may vary. During the initial use of the fireplace, the colours will become more uniform as colour pigments burn in during the heat activated curing process.

**GLOWING EMBERS:** Tear the embers into pieces and place along the perimeter of the runner burners as well as covering all of the burner area beneath and in front of the hollowed out section of log 1 & 2. Care should be taken to shred the embers into *thin*, small irregular pieces as only the exposed edges of the fibre hairs will glow. *The ember material will only glow when exposed to direct flame; however, care should be taken to not block the burner ports.* Blocked burner ports can cause an incorrect flame pattern, carbon deposits and delayed ignition. **PHAZER™** logs glow when exposed to direct flame.

### RIGHT SIDE - FIGURES 45 - LEFT SIDE

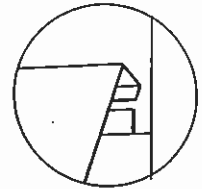


**CHARCOAL EMBERS:** Randomly place the embers around the bottom brick panels in a realistic manner but not in contact with the flames. Keep ember dust away from burner ports to avoid plugging them.

Fine dust found in bottom of bag not to be used. Do not place any embers on the main burner. *PHAZER™* logs, and embers glow when exposed to direct flame. Use only certified *PHAZER™* logs, glowing embers and charcoal embers available from your Napoleon / Wolf Steel Ltd. dealer.

**DOOR, LOUVRE AND TRIM REMOVAL & INSTALLATION**

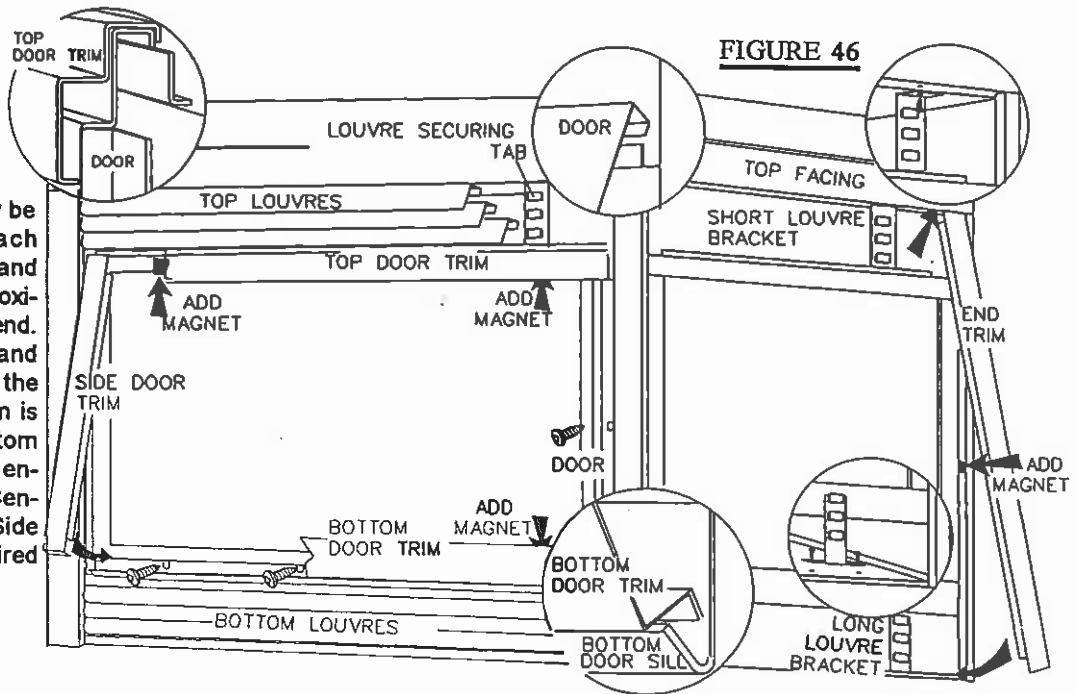
*ENSURE THAT THE DOOR IS PROPERLY CLIPPED ONTO THE STEEL LIP TO PREVENT OVERHEATING, GLASS BREAKAGE AND/OR DISCOLOURATION OF THE UPPER TRIM.*



**LOUVRE BRACKETS AND DOOR INSTALLATION:** To access the gas valve, install the hinged lower louvre door assembly on the valve access side. Attach all louvre brackets as required with the louvre securing tabs facing out. Do NOT attach louvres at this time. To install the door(s), hook it over the rail located above the door opening and secure with screws along the sides and bottom of the door. Tighten screws snugly. DO NOT OVER-TIGHTEN.

**VERTICAL END TRIM: CORNER AND PENINSULA UNITS ONLY:** The 2 vertical end trims are each held on with a magnet, centered on each corner post. Insert the trim under the top facing and align along the corner posts with the bottoms of each end trim level with the bottom of the unit.

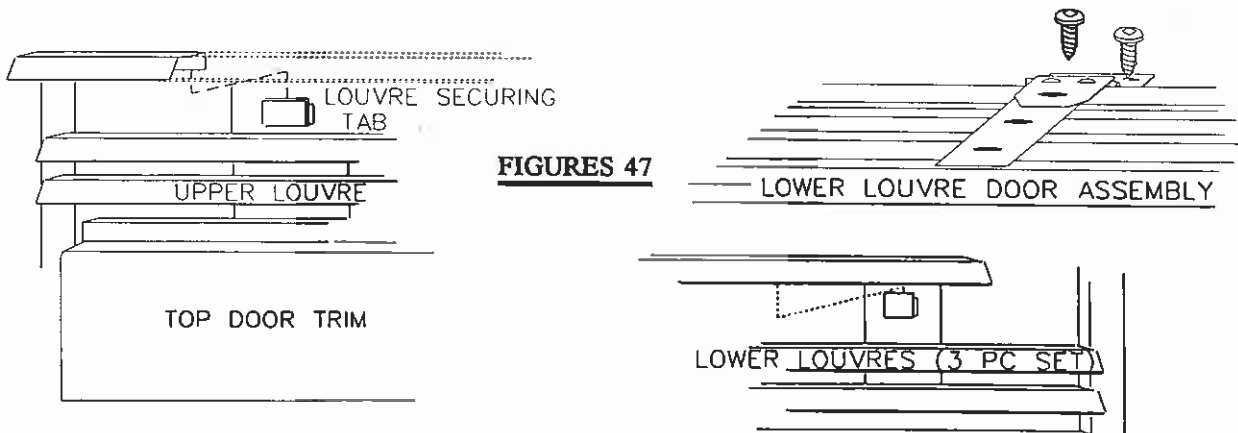
**DOOR TRIM:** Hang the side door trim onto each door side with the notches towards the centre of the unit. The top and bottom door trim may be installed next. Attach magnets to the top and bottom door trim approximately 4" from either end. Lift up the top trim and hook over the top of the door. The bottom trim is inserted into the bottom door sill. Push in to engage the magnets. Centre both side trims. Side door trim is not required for the end door.



**FIGURE 46**

**LOUVRES:** The louvres are installed as illustrated in FIGURES 47.

Optional plated door trim is available at your local Napoleon/ Wolf Steel dealer.




**FIGURES 47**

# OPERATION / MAINTENANCE

## OPERATING INSTRUCTIONS

When lit for the first time, the fireplace will emit a slight odour for a few hours. This is a normal temporary condition caused by the curing of the logs and the "burn-in" of internal paints and lubricants used in the manufacturing process and will not occur again. Simply open a window to sufficiently ventilate the room. After extended periods of non-operation such as following a vacation or a warm weather season, the fireplace may emit a slight odour for a few hours. This is caused by dust particles in the heat exchanger burning off. Open a window to sufficiently ventilate the room.


### FOR YOUR SAFETY READ BEFORE OPERATING



- A. This fireplace is equipped with a pilot which must be lit by hand while following these instructions exactly.
- B. Before operating smell all around the fireplace area for gas and next to the floor because some gas is heavier than air and will settle on the floor.
- WHAT TO DO IF YOU SMELL GAS:**
- Turn off all gas to the fireplace.
  - Open windows.
  - Do not try to light any appliance.
-  **GAS KNOB**
- Do not touch any electric switch; do not use any phone in your building.
  - Immediately call your gas supplier from a neighbour's phone. Follow the gas supplier's instructions.
  - If you cannot reach your gas supplier, call the fire department.
- C. Use only your hand to turn the gas control knob. Never use tools. If the knob will not turn by hand, do not try to repair it. Call a qualified service technician. Force or attempted repair may result in a fire or explosion.
- D. Do not use this fireplace if any part has been under water. Immediately call a qualified service technician to inspect the fireplace and replace any part of the control system and any gas control which has been under water.

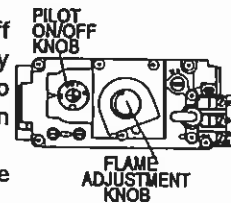
### LIGHTING INSTRUCTIONS

**WARNING:** The gas valve has an interlock device which will not allow the pilot burner to be lit until the thermocouple has cooled. Allow approximately 60 seconds for the thermocouple to cool.



When lighting and re-lighting, the gas knob cannot be turned from pilot to off unless the knob is depressed slightly.

1. Stop! Read the above safety information on this label.
2. Turn off all electric power to the fireplace.
3. Turn the gas knob clockwise  to off.
4. Wait five (5) minutes to clear out any gas. If you smell gas including near the floor. Stop! Follow "B" in the above safety information on this label. If you don't smell gas go the next step.

5. Turn gas knob counter-clockwise  to pilot.
6. Depress slightly and hold gas knob while lighting the pilot with the push button ignitor. Keep knob depressed for one minute, then release. If pilot does not continue to burn, repeat steps 3 through 5.
7. With pilot lit, depress and turn gas knob counter-clockwise  to on.
8. If equipped with remote on-off switch/thermostat, main burner may not come on when you turn valve to on. Remote switch must be in the on position to ignite burner.
9. Turn on all electric power to the fireplace.



### TO TURN OFF GAS

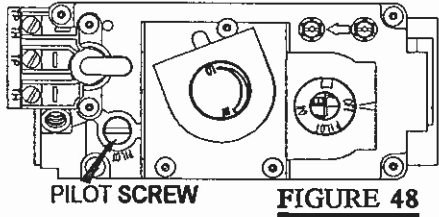
1. Turn off all electric power to the fireplace if service is to be performed.
2. For a complete shut-down procedure: push in gas control knob slightly and turn clockwise  to off. Do not force.
3. For a temporary shut-down procedure: set thermostat to lowest setting or remote switch to off. Press and turn the gas knob clockwise  to pilot.

## MAINTENANCE TURN OFF THE GAS AND ELECTRICAL POWER BEFORE SERVICING THE FIREPLACE.

**CAUTION:** Label all wires prior to disconnection when servicing controls. Wiring errors can cause improper and dangerous operation. Verify proper operation after servicing. This fireplace and its venting system should be inspected before use and at least annually by a qualified service person. The fireplace area must be kept clear and free of combustible materials, gasoline or other flammable vapours and liquids. The flow of combustion and ventilation air must not be obstructed.

1. In order to properly clean the burner and pilot assembly, remove the logs to expose both assemblies.
2. Keep the control compartment, logs, burner, air shutter opening and the area surrounding the logs clean by vacuuming or brushing, *at least once a year*.
3. Check to see that all burner ports are burning. Clean out any of the ports which may not be burning or are not burning properly. (end brick panel must be removed in order to facilitate burner removal, where applicable.)
4. Check to see that the pilot flame is large enough to engulf the thermocouple and thermopile and reaches toward the burner with the third jet.
5. Replace the cleaned logs.
6. Check to see that the main and runner burners ignite completely on all openings when the gas knob for the burners is turned on. A 5 to 10 second total light-up period is satisfactory. If ignition takes longer, consult your Napoleon dealer / distributor.
7. Check that the gasketing on the sides, top and bottom of the door is not broken or missing. Replace if necessary.

# ADJUSTMENTS



## PILOT BURNER ADJUSTMENT

Adjust the pilot screw to provide properly sized flame. Turn in a clockwise direction to reduce the gas flow. FIGURES 48 & 49.

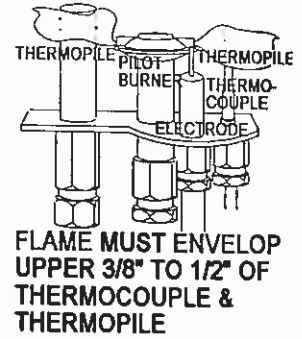


FIGURE 49

## VENTURI ADJUSTMENT

Natural gas models have air shutters set at 3/16 (.188") inch open. Propane gas models have air shutters set at 3/8 (.375) inch open. Closing the air shutter will cause a more yellow flame, but can lead to carboning. Opening the air shutter will cause a more blue flame, but can cause flame lifting from the burner ports. The flame may not appear yellow immediately; allow 15 to 30 minutes for the final flame colour to be established. FIGURE 50.

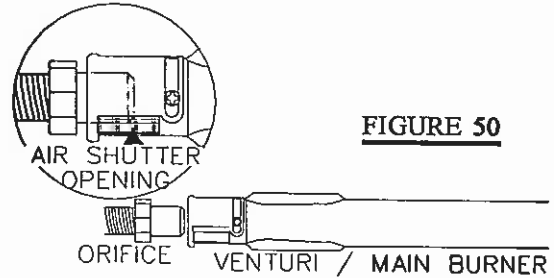


FIGURE 50

**AIR SHUTTER ADJUSTMENT MUST ONLY BE DONE BY A QUALIFIED GAS INSTALLER!**

# REPLACEMENTS

## ORDERING REPLACEMENT PARTS

Contact your dealer or the factory for questions concerning prices and policies on replacement parts. Normally all parts can be ordered through your Napoleon dealer or distributor. When ordering replacement parts always give the following information:

1. Model & Serial Number of the unit.
2. Installation date of the unit.
3. Part Number
4. Part Description
5. Finish

## REPLACEMENT PARTS

For warranty replacement parts, a photocopy of the original invoice will be required to honour the claim.

PART NO.	DESCRIPTION	PART NO.	DESCRIPTION
----------	-------------	----------	-------------

### COMPONENTS COMMON TO ALL UNITS:

GA-GD-135.018	LOG #1	GD 781-KT	SET OF 4 BRICK PANELS
GA-GD-135.019	LOG #2	GA-GD-500.104	RETAINING BRACKET
GA-GD-135.020	LOG #3	GA-GD-475.160	SIDE BRICK PANEL
GA-GD-135.021	LOG #4	GA-GD-475.159	END BRICK PANEL
GA-GD-135.022	LOG #5	GA-GD-475.158	RIGHT BRICK PANEL
GL-612	LOG SET ASSEMBLY c/w EMBERS	GA-GD-475.157	LEFT BRICK PANEL
GA-GD-361.16	GLOWING EMBERS	GA-GD-500.106	FIRE STOP SPACER
GA-GI-550.01	CHARCOAL EMBERS	WS-385-33	NAPOLEON LOGO
GA-GD-562.09	DOOR GASKET (100 INCHES)	GA-GD-500.103	TERMINAL EXTENSION PLATE
WS-300-20	SIDE DOOR GLASS ONLY	GA-GD-361.027	INSULATION SLEEVE
GA-GD-321K	BLACK SIDE DOOR c/w GLASS	WS-573-07	HIGH TEMP SEALANT - 10 OZ
GA-GD-225.36	BLACK SIDE DOOR FRAME	GA-GD-010.419	LOWER LOUVRED DOOR ASSY - POLISHED BRASS
GA-GD-020.042	PKG OF 5 DOOR SCREWS	GA-GD-715.11	SIDE DOOR LOUVRE
GA-GD-715.136	TOP SIDE DOOR TRIM	GA-GD-080.23	UPPER LOUVRE BRACKET
GA-GD-715.137	BOTTOM SIDE DOOR TRIM	WS-430-001	CERAMIC MAGNET
GA-GD-200.055	LEFT / RIGHT SIDE DOOR TRIM		

### COMPONENTS UNIQUE TO CORNER UNIT:

GA-GD-135.023	LOG #6	WS-430-001	CERAMIC MAGNET
GA-GD-010.421	SIDE DOOR COVER	GA-GD-715.180	VERTICAL END TRIM
GA-GD-010.423	SIDE DOOR HEAT SHIELD	GA-GD-715.185	BOTTOM END DOOR TRIM
GA-GD-020.042	PKG OF 5 DOOR SCREWS	GA-GD-715.186	TOP END DOOR TRIM
GA-GD-475.161	REAR BRICK PANEL	GA-GD-080.277	BOTTOM LOUVRE BRACKET
GA-GD-225.045	BLACK END DOOR FRAME	GA-GD-080.23	UPPER LOUVRE BRACKET
GA-GD-322K	BLACK END DOOR c/w GLASS	GA-GD-715.181	END DOOR LOUVRE
WS-300-027	END DOOR GLASS ONLY	GA-GD-562.09	DOOR GASKET (100 INCHES)

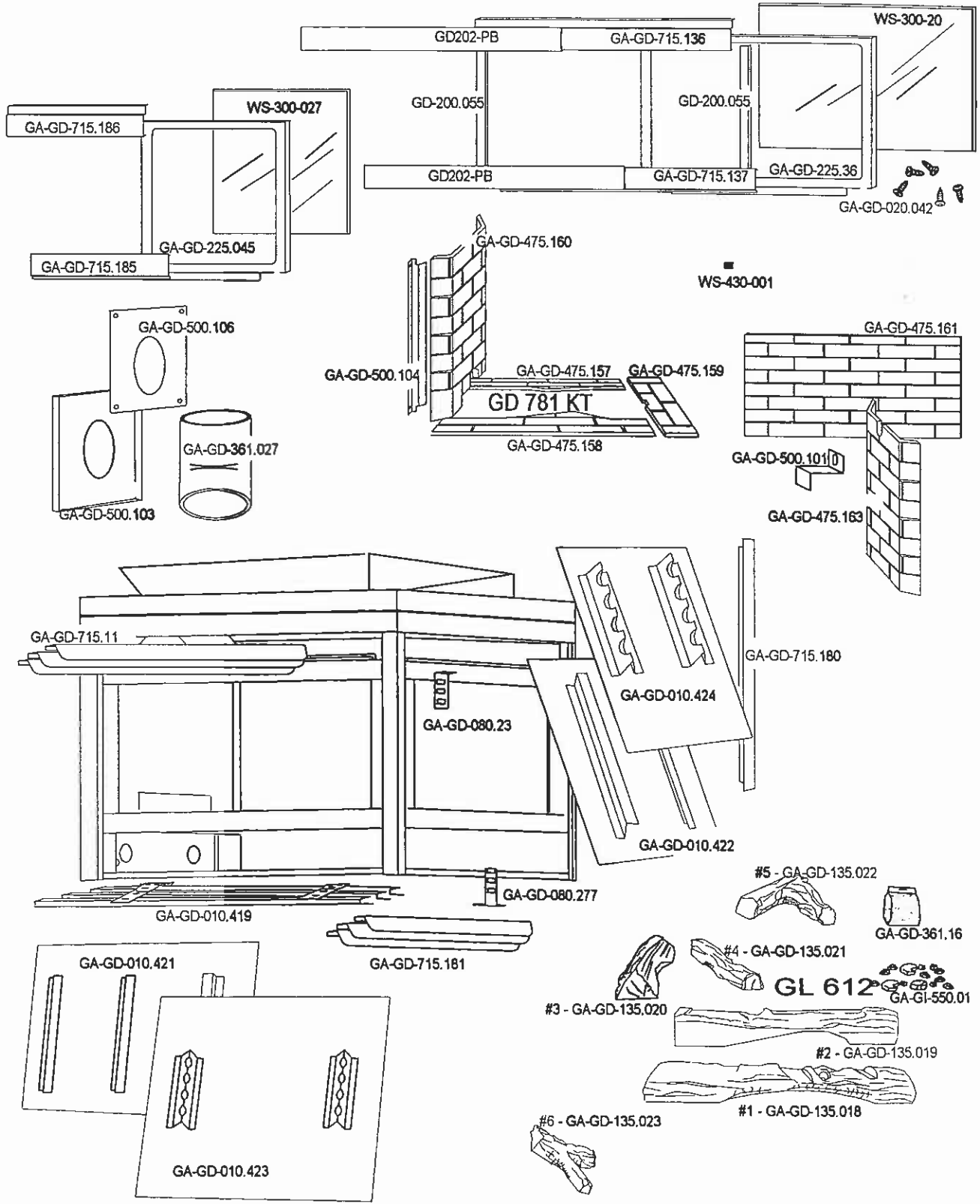
### COMPONENTS UNIQUE TO SEE-THRU UNIT:

GA-GD-010.424	END DOOR HEAT SHIELD	GA-GD-080.277	BOTTOM LOUVRE BRACKET
GA-GD-010.422	END DOOR COVER	GA-GD-080.23	UPPER LOUVRE BRACKET
GA-GD-500.101	SIDE BRICK PANEL RETAINER	GA-GD-715.11	SIDE DOOR LOUVRE
GA-GD-475.163	SIDE BRICK PANEL	GA-GD-200.055	LEFT / RIGHT SIDE DOOR TRIM
GA-GD-321K	BLACK SIDE DOOR c/w GLASS	GA-GD-715.136	TOP SIDE DOOR TRIM
GA-GD-562.09	DOOR GASKET (100 INCHES)	GA-GD-715.137	BOTTOM SIDE DOOR TRIM
GA-GD-225.36	BLACK SIDE DOOR FRAME	GA-GD-020.042	PKG OF 5 DOOR SCREWS
WS-300-20	SIDE DOOR GLASS ONLY	WS-430-001	CERAMIC MAGNET

### COMPONENTS UNIQUE TO PENINSULA UNIT:

WS-430-001	CERAMIC MAGNET	GA-GD-715.181	END DOOR LOUVRE
GA-GD-135.023	LOG #6	GA-GD-715.11	SIDE DOOR LOUVRE
WS-300-027	END DOOR GLASS ONLY	GA-GD-080.277	BOTTOM LOUVRE BRACKET
WS-300-20	SIDE DOOR GLASS ONLY	GA-GD-080.23	UPPER LOUVRE BRACKET
GA-GD-225.36	BLACK SIDE DOOR FRAME	GA-GD-200.055	LEFT / RIGHT SIDE DOOR TRIM
GA-GD-225.045	BLACK END DOOR FRAME	GA-GD-715.185	BOTTOM END DOOR TRIM
GA-GD-322K	BLACK END DOOR c/w GLASS	GA-GD-715.137	BOTTOM SIDE DOOR TRIM
GA-GD-321K	BLACK SIDE DOOR c/w GLASS	GA-GD-715.186	TOP END DOOR TRIM
GA-GD-020.042	PKG OF 5 DOOR SCREWS	A-GD-715.136	TOP SIDE DOOR TRIM
GA-GD-562.09	DOOR GASKET (100 INCHES)	GA-GD-715.180	VERTICAL END TRIM

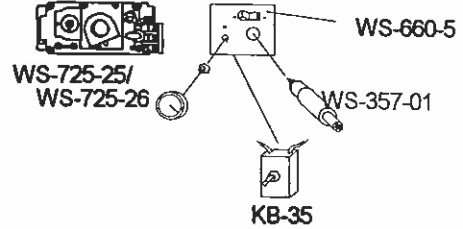
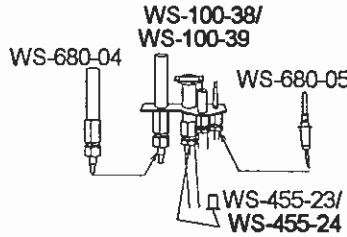
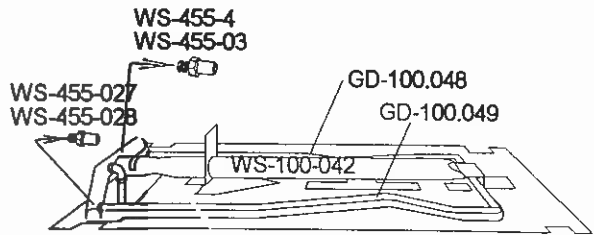




**PART NO. DESCRIPTION**

**BURNER COMPONENTS:**

- WS-455-4 #36 MAIN BURNER ORIFICE - NG
- WS-455-027 #55 RUNNER BURNER ORIFICE - NG
- WS-455-03 #54 MAIN BURNER ORIFICE - LP
- WS-455-028 #70 RUNNER BURNER ORIFICE - LP
- WS-100-38 NATURAL GAS PILOT ASSEMBLY
- WS-100-39 PROPANE GAS PILOT ASSEMBLY
- WS-455-23 NATURAL GAS PILOT ORIFICE - #51
- WS-455-24 PROPANE GAS PILOT ORIFICE - #30
- WS-660-05 BURNER ON/OFF SWITCH
- GA-GD-100.048 LEFT RUNNER BURNER
- GA-GD-100.049 RIGHT RUNNER BURNER
- WS-100-042 MAIN BURNER
- WS-680-04 THERMOPILE
- WS-680-05 THERMOCOUPLE
- WS-725-26 PROPANE GAS VALVE
- WS-725-25 NATURAL GAS VALVE
- WS-357-01 PIEZO IGNITER



**VENT KITS:**

**GD220 (5 FOOT)**

- GA-GD-010.397 4" FLEXIBLE ALUMINUM LINER - (5 FT) C/W SPACERS
- WS-410-17 7" FLEXIBLE ALUMINUM LINER - (5 FT)

**GD330 (10 FOOT)**

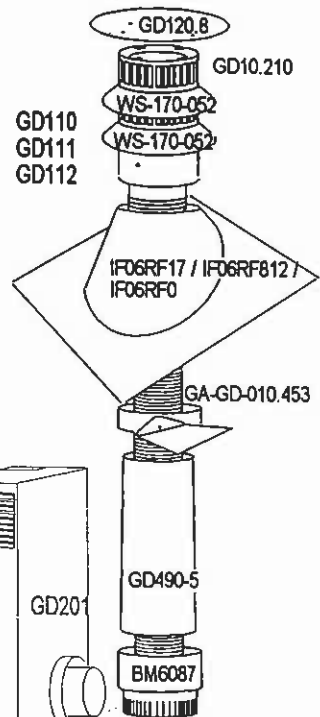
- WS-410-018 7" FLEXIBLE ALUMINUM LINER - (10 FT)
- GS-10.300 4" FLEXIBLE ALUMINUM LINER - (10 FT) C/W SPACERS
- GA-GD-010.370 WALL SUPPORT ASSEMBLY

**TERMINAL KITS:**

- |                            |                     |   |       |
|----------------------------|---------------------|---|-------|
| <b>ROOF TERMINAL KITS:</b> | 1/12 TO 7/12 PITCH  | - | GD110 |
|                            | 8/12 TO 12/12 PITCH | - | GD111 |
|                            | FLAT ROOF           | - | GD112 |

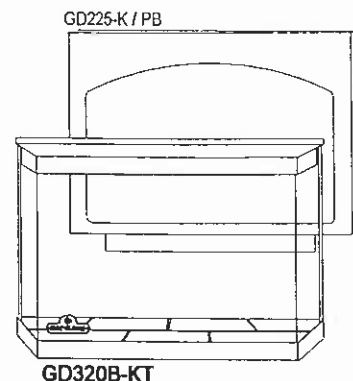
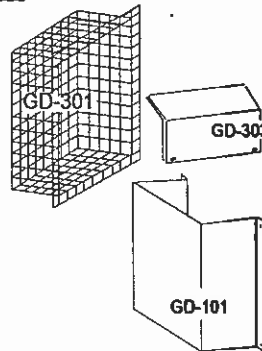
- |                                |                    |
|--------------------------------|--------------------|
| GD490-5                        | RIGID SLEEVE       |
| GD-120.8                       | VERTICAL CAP       |
| WS-170-052                     | STORM COLLAR       |
| GD-010.453                     | ROOF SUPPORT       |
| IF06RF17 / IF06RF812 / IF06RFO | ROOF FLASHING      |
| BM6087                         | 7" TO 8" INCREASER |

- |                   |   |       |
|-------------------|---|-------|
| PERISCOPE         | - | GD201 |
| WALL TERMINAL KIT | - | GD222 |



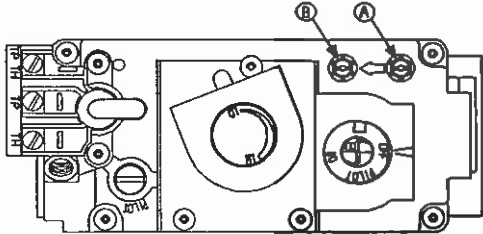
**ACCESSORIES:**

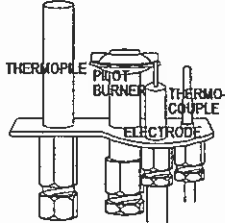
- WS-690-1 MILLIVOLT THERMOSTAT
- GD101 WINDSHIELD KIT
- GD301 HEAT GUARD
- GD303 VINYL SIDING SHIELD
- WS-573-07 HI-TEMP SEALANT 10 OZ
- GA-GD-010.370 WALL SUPPORT ASSEMBLY
- BM6087 7" TO 8" INCREASER
- GD225-K DOOR FACIA - BLACK side door only
- GD225-PB DOOR FACIA - POLISHED BRASS side door only
- GZ-550KT BLOWER KIT
- WS-175-053 DURA-VENT ZERO CLEARANCE ADAPTOR
- GD202-PB RECTANGULAR DOOR TRIM KIT - POL BRASS SIDE DOOR ONLY
- GD320B-KT BAY WINDOW KIT - SIDE DOOR ONLY
- WS-660-2 HAND HELD WIRELESS REMOTE SWITCH
- WS-660-010 REMOTE CONTROL - ADVANTAGE
- WS-660-011 REMOTE CONTROL - ADVANTAGE PLUS
- WS-175-1 4" COUPLER
- WS-175-13 7" COUPLER
- K835 VARIABLE SPEED SWITCH
- WS-500-33 V.S.S. MOUNTING PLATE FOR WALL SWITCH



# TROUBLE SHOOTING GUIDE

BEFORE ATTEMPTING TO TROUBLESHOOT, PURGE YOUR UNIT AND INITIALLY LIGHT THE PILOT AND THE MAIN BURNER WITH THE GLASS DOOR REMOVED.

SYMPTOM	PROBLEM	TEST SOLUTION
Main burner flame is a blue, lazy, transparent flame.	Blockage in vent.	- remove blockage. In really cold conditions, ice buildup may occur on the terminal and should be removed as required.
	Incorrect installation.	- refer to Figure 19 to ensure correct location of storm collars.
Flames are consistently too large or too small. Carboning occurs.	Unit is over-fired or under-fired.	<ul style="list-style-type: none"> <li>- check pressure readings:</li> <li>Inlet pressure can be checked by turning screw (A) counter-clockwise 2 or 3 turns and then placing pressure gauge tubing over the test point. Gauge should read 7" (minimum 4.5") water column for natural gas or 13" (11" minimum) water column for propane. Check that main burner is operating on "HI".</li> <li>Outlet pressure can be checked the same as above using screw (B). Gauge should read 3.5" water column for natural gas or 10" water column for propane. Check that main burner is operating on "HI".</li> <li><b>AFTER TAKING PRESSURE READINGS, BE SURE TO TURN SCREWS CLOCKWISE FIRMLY TO RESEAL. DO NOT OVERTORQUE.</b></li> <li>Leak test with a soap and water solution.</li> </ul>
		
Carbon is being deposited on glass, logs or combustion chamber surfaces.	Air shutter has become blocked	- ensure air shutter opening is free of lint or other obstructions.
	Flame is impinging on the logs or combustion chamber.	<ul style="list-style-type: none"> <li>- check that the logs are correctly positioned.</li> <li>- open air shutter to increase the primary air.</li> <li>- check the input rate: check the manifold pressure and orifice size as specified by the rating plate values.</li> <li>- check that the door gasketing is not broken or missing and that the seal is tight.</li> <li>- check that both 4" and 7" vent liners are free of holes and well sealed at all joints.</li> <li>- check that minimum rise per foot has been adhered to for any horizontal venting.</li> </ul>
White / grey film forms.	Sulphur from fuel is being deposited on glass, logs or combustion chamber surfaces.	<ul style="list-style-type: none"> <li>- clean the glass with a non-abrasive ammonia or vinegar based glass cleaner. <b>DO NOT CLEAN GLASS WHEN HOT.</b></li> <li>If deposits are not cleaned off regularly, the glass may become permanently marked.</li> </ul>
Exhaust fumes smelled in room, headaches.	Fireplace is spilling.	<ul style="list-style-type: none"> <li>- check door seal and relief flap seal.</li> <li>- check for chimney blockage</li> <li>- check that chimney is installed to building code.</li> <li>- room is in negative pressure; increase fresh air supply.</li> </ul>
Pilot goes out when the gas knob is released. The gas valve has an interlock device which will not allow the pilot burner to be lit until the thermocouple has cooled. Allow approximately 60 seconds for the thermocouple to cool.	System is not correctly purged.	- purge the gas line.
	Out of propane gas.	- fill the tank.
	Pilot flame is not large enough	- turn up the pilot flame.
	Pilot flame is not engulfing the thermocouple.	- gently twist the pilot head to improve the flame pattern around the thermocouple.
	Thermocouple shorting / faulty.	<ul style="list-style-type: none"> <li>- loosen and tighten thermocouple.</li> <li>- clean thermocouple and valve connection.</li> <li>- replace thermocouple.</li> <li>- replace valve.</li> </ul>
	Faulty valve.	- replace.

SYMPTOM	PROBLEM	TEST SOLUTION
Pilot burning; no gas to main burner; gas knob is on 'HI'; wall switch / thermostat is on.	Thermostat or switch is defective.	- connect a jumper wire across the wall switch terminals; if main burner lights, replace switch / thermostat.
	Wall switch wiring is defective.	- connect a jumper wire across terminals 1 & 3; if the main burner lights, check the wires for defects and / or replace wires.
	Main burner orifice is plugged.	- remove stoppage in orifice.
	Faulty valve.	- replace.
Pilot goes out while standing; Main burner is in 'OFF' position.	Gas piping is undersized.	- turn on all gas appliances and see if pilot flame flutters, diminishes or extinguishes, especially when main burner ignites. Monitor appliance supply working pressure. - check if supply piping size is to code. Correct all undersized piping.
	Pilot will not light.	- check if pilot can be lit by a match - check that the wire is connected to the push button ignitor. - check if the push button ignitor needs tightening. - replace the wire if the wire insulation is broken or frayed. - replace the electrode if the ceramic insulator is cracked or broken. - replace the push button ignitor.
	Out of propane gas	- fill the tank.
	Spark gap is incorrect	- spark gap should be 0.150" to 0.175" (5/32" to 11/64" approx.) from the electrode tip and the pilot burner. To ensure proper electrode location, tighten securing nut (finger tight plus 1/4 turn).
	No gas at the pilot burner	- check that the manual valve is turned on. - check the pilot orifice for blockage. - replace the valve. - call the gas distributor.
	Main burner goes out; pilot stays on.	Pilot flame is not large enough or not engulfing the thermopile - turn up pilot flame. - replace pilot assembly.
Main burner goes out; pilot stays on.	Thermopile shorting	- clean thermopile connection to the valve. Reconnect. - replace thermopile / valve.
	Remote wall switch wire is too long; too much resistance in the system.	- shorten wire to correct length or wire gauge.
	Faulty thermostat or switch.	- replace.
	Refer to "MAIN BURNER GOES OUT; PILOT STAYS ON"	
Main burner goes out; pilot goes out.	Vent is blocked	- check for vent blockage.
	Vent is re-circulating	- check joint seals and installation.
	4" flexible vent has become disconnected from fireplace.	- re-attach to fireplace.
Remote wall switch is in "OFF" position; main burner comes on when gas knob is turned to "ON" position.	Wall switch is mounted upside down	- reverse.
	Remote wall switch is grounding.	- replace.
	Remote wall switch wire is grounding.	- check for ground (short); repair ground or replace wire.
	Faulty valve.	- replace.