

INSTALLER: THESE INSTRUCTIONS MUST BE CONVEYED TO AND REMAIN WITH THE HOMEOWNER.
CERTIFIED UNDER CANADIAN AND AMERICAN NATIONAL STANDARDS, CAN 1-2.1-M88 AND ANSI Z21.11.1b-1995 RESPECTIVELY FOR GAS-FIRED VENTED ROOM HEATER



FIREPLACES

GAS INSERT

INSTALLATION AND OPERATION INSTRUCTIONS FOR
GAS-FIRED VENTED ROOM HEATER

NATURAL GAS MODEL GI3014-N / GI3014B-N

PROPANE GAS MODEL GI3014-P / GI3014B-P

GAS-ZERO CLEARANCE WHEN INSTALLED WITH GI-700 KIT

WITHOUT GI-700 KIT INSTALL RECESSED INTO A WOODBURNING NON-COMBUSTIBLE FIREPLACE
CERTIFICATION LABEL AFFIXED TO UNDERSIDE OF FRESH AIR DAMPER

WARNING: Improper installation, adjustment, alteration, service or maintenance can cause injury or property damage. Refer to this manual. For assistance or additional information consult a qualified installer, service agency or the gas supplier.

FOR YOUR SAFETY:

Do not store or use gasoline or other flammable vapours and liquids in the vicinity of this or any other appliance.

WHAT TO DO IF YOU SMELL GAS:

- Turn off main gas supply.
- Open windows.
- Do not try to light any appliance.
- Do not touch any electrical switch; Do not use any phone in your building.
- Extinguish any open flame.
- Immediately call your gas supplier from a neighbour's phone. Follow the gas supplier's instructions.
- If you cannot reach your gas supplier, call the fire department.

Wolf Steel Ltd., RR#1, 9 NAPOLEON RD.,
Barrie, ON., Canada L4M 4Y8 (705)721-1212

Fax: (705)722-6031 EMAIL: ask@napoleon.on.ca
WEB: www.napoleon.on.ca



WS-415-44/01.30.98

ALL SPECIFICATIONS AND DESIGNS ARE SUBJECT TO CHANGE WITHOUT PRIOR NOTICE DUE TO ON-GOING PRODUCT IMPROVEMENTS. NAPOLEON IS A REGISTERED TRADEMARK OF WOLF STEEL LTD. PATENTS U.S. 5,303,693, 801 - CAN. 2,073,411, 2,082,915. © WOLF STEEL LTD.

NAPOLEON warrants its products against manufacturing defects to the original purchaser only -- i.e., the individual or legal entity (registered customer) whose name appears on the warranty registration card filed with NAPOLEON -- provided that the purchase was made through an authorized NAPOLEON dealer and is subject to the following conditions and limitations:

This factory warranty is non-transferable and may not be extended whatsoever by any of our representatives.

The gas fireplace must be installed by a licensed, authorized service technician or contractor. Installation must be done in accordance with the installation instructions included with the product and all local and national building and fire codes.

This limited warranty does not cover damages caused by misuse, lack of maintenance, accident, alteration, abuse or neglect and parts installed from other manufacturers will nullify this warranty.

This limited warranty further does not cover any scratches, dents, corrosion or discoloring caused by excessive heat, abrasion and chemical cleaners, oil dripping on porcelain enamel parts, mechanical breakage of PHAZER™ logs and embers, nor any venting components used in the installation of the fireplace.

NAPOLEON warrants its stainless steel burners against defects in workmanship and material for five (5) years, subject to the following conditions: During the first 10 years, NAPOLEON will provide replacement burners at 50% of the current retail price.

In the first year only, this warranty extends to the repair or replacement of warranted parts which are defective in material or workmanship provided that the product has been operated in accordance with the operation instructions and under normal conditions.

After the first year, with respect to this President's Lifetime Warranty, NAPOLEON may, at its discretion, fully discharge all obligations with respect to this warranty by refunding to the original warranted purchaser the wholesale price of any warranted but defective part(s).

After the first year, NAPOLEON will not be responsible for installation, labour or any other costs or expenses related to the reinstallation of a warranted part, and such expenses are not covered by this warranty.

Notwithstanding any provisions contained in this President's Lifetime Warranty, NAPOLEON'S responsibility under this warranty is defined as above and it shall not in any event extend to any incidental, consequential or indirect damages.

This warranty defines the obligations and liability of NAPOLEON with respect to the NAPOLEON gas fireplace and any other warranties expressed or implied with respect to this product, its components or accessories are excluded.

NAPOLEON neither assumes, nor authorizes any third party to assume, on its behalf, any other liabilities with respect to the sale of this product. NAPOLEON will not be responsible for pre-firing, down-drafts, spillage caused by environmental conditions such as rooftop, building, nearby trees, hills, mountains, inadequate vents or ventilation, excessive venting configurations, insufficient makeup air, or negative air pressures which may or may not be caused by mechanical systems such as radiators, fans, furnaces, clothes dryers, etc.

Any damages to fireplace, combustion chamber, heat exchanger, brass flint or other component, due to water, weather, weather damage, long periods of dampness, condensation, damaging chemicals or cleaners will not be the responsibility of NAPOLEON.

The bill of sale or copy will be required together with a serial number and a model number when making any warranty claim from your authorized dealer. The warranty registration card must be returned within fourteen days to register the warranty.

NAPOLEON reserves the right to have its representative inspect any product or part thereof prior to honoring any warranty claim.

CONDITIONS AND LIMITATIONS

The following materials and workmanship in your new NAPOLEON gas fireplace are warranted against defects for as long as you own the fireplace. This covers combustion chamber, heat exchanger, stainless steel burner, phazer™ logs and embers, ceramic glass (thermal breakage only), gas valve, gas control, gas valves, gas valves, electrical (110V and millivolt) components and wearable parts such as blowers, gas valves, thermal switch, switches, wiring, remote controls, ignitor, gasfettering, and pilot assembly are covered and NAPOLEON will provide replacement parts free of charge during the first year of the limited warranty.

Labour related to warranty repair is covered free of charge during the first year. Repair work, however, requires the prior approval of an authorized company official. Labour costs to the account of NAPOLEON are based on a predetermined rate schedule and any repair work must be done through an authorized NAPOLEON dealer.

NAPOLEON GAS FIREPLACE PRESIDENTS LIFETIME LIMITED WARRANTY

NAPOLEON products are designed with superior components and materials, assembled by trained craftsmen who take great pride in their work. The burner and valve assembly are leak and test-fired at a quality test station. The complete fireplace is again test-fired and thoroughly inspected by a qualified technician before packaging to ensure that you, the customer, receives the quality product that you expect from NAPOLEON.

ISO9002 Quality Assurance Certificate

NAPOLEON gas fireplaces are manufactured under the strict Standard of the world recognized



TABLE of CONTENTS

<p>PG 2-4 INTRODUCTION</p> <p>Warranty General Instructions Mantle Clearance General Information Care of Glass, Enamelled & Plated Parts</p> <p>5-6 INSTALLATION</p> <p>Spill Switch Venting Action Check Installation Flashing Installation Framing</p> <p>7 BRICK PANEL INSTALLATION</p> <p>7-8 FINISHING</p> <p>Log Placement/Charcoal Embers Door, & Louvre Installation</p>	<p>PG 8-9 OPERATION / MAINTENANCE</p> <p>Fresh Air Damper System Operating Instructions Maintenance</p> <p>10 BLOWER INSTALLATION</p> <p>Blower Replacement Instructions</p> <p>10 ADJUSTMENTS</p> <p>Pilot Burner Adjustment Venturi Adjustments</p> <p>10-12 REPLACEMENTS</p> <p>Ordering Replacement Parts Replacement Parts Accessories</p> <p>13-14 TROUBLE SHOOTING GUIDE</p>
--	--

PLEASE RETAIN THIS MANUAL FOR FUTURE REFERENCE

GENERAL INSTRUCTIONS

THIS GAS FIREPLACE SHOULD BE INSTALLED AND SERVICED BY A QUALIFIED INSTALLER to conform with local codes. In absence of local codes, install to the current CAN1-B149 Installation Code in Canada or to the National Fuel Gas Code, ANSI Z223.1-1988, and NFPA 54-1988 in the United States.

PURGE ALL GAS LINES WITH THE GLASS DOOR OF THE FIREPLACE REMOVED. ASSURE THAT A CONTINUOUS GAS FLOW IS AT THE BURNER BEFORE INSTALLING THE DOOR.
UNDER EXTREME VENT CONFIGURATIONS, ALLOW SEVERAL MINUTES (5-15) FOR THE FLAME TO STABILIZE AFTER IGNITION. ALTITUDES GREATER THAN 4,000 FT REQUIRE A MINIMUM VENT RUN OF 12 FT.

The heater and its individual shutoff valve must be disconnected from the gas supply piping system during any pressure testing of that system at test pressures in excess of 1/2 psig (3.5 kPa). The fireplace must be isolated from the gas supply piping system by closing its individual manual shutoff valve during any pressure testing of the gas supply piping system at test pressures equal to or less than 1/2 psig (3.5 kPa).

A 1/8 inch NPT plug, accessible for test gauge connection, must be installed immediately upstream of the gas supply connection to the fireplace.

This fireplace must be connected to any accepted lined chimney system listed to ULC-S635M (In Canada) or UL-1777 (in USA). The venting connection must be in compliance with the chimney manufacturers Installation Instructions.

The draft hood must be installed so that it is in the same atmospheric pressure zone as the combustion air inlet to the fireplace.

This heater can be installed two different ways. If installed as is, it must be recessed into a vented non-combustible woodburning fireplace only. This is referred to as an INSERT type of installation. The minimum fireplace size in which the heater is to be installed is: HEIGHT 21 inches WIDTH 26-1/2 inches DEPTH 17-1/2 inches

If installed in conjunction with kit #GI-700, it may be framed into an enclosure made of combustible materials. This is referred to as a ZERO CLEARANCE type of installation. The minimum clearance to combustible construction in this form of installation is:

B-VENT 1 inch

MANTLE HEIGHT 7 inches*

SIDES, BACK, BOTTOM & TOP 0 inches

RECESSED DEPTH 18-1/2 inches

*MAXIMUM HORIZONTAL EXTENSION IS 6 INCHES.

When the unit is applied directly on carpeting, tile or combustible material other than wood flooring, the heater must be installed on a metal or wood panel extending the full width and depth of the unit. See installation instructions supplied with the GI-700 kit for further instructions.

Do not use abrasive cleaners to clean these parts. Buff lightly with a clean dry cloth. Porcelain enamelled components must be handled with care. The baked-on finish is glass-like. If struck, it will chip! Touch-up paint is available through your Napoleon dealer.

The glass is 3/16" ceramic glass available from your Napoleon / Wolf Steel Ltd. dealer. DO NOT SUBSTITUTE MATERIALS. Clean the glass after the first 10 hours of operation with a recommended gas fireplace glass cleaner. Thereafter clean as required. DO NOT CLEAN GLASS WHEN HOT! If the glass is not kept clean permanent discoloration and / or blemishes may result.

CARE OF GLASS, ENAMELLED AND PLATED PARTS

provides current for a remote burner On-Off switch.

Change in flame appearance from "HI" to "LO" is more evident in natural gas than in propane. The self generating pilot NO EXTERNAL ELECTRICITY (110 VOLTS OR 24 VOLTS) IS REQUIRED FOR THE GAS SYSTEM OPERATION.

pressure under flow conditions is 3.5 inches water column for natural gas and 10 inches water column for propane. Maximum inlet gas pressure is 7 inches water column for natural gas and 13 inches water column for propane. Manifold Minimum inlet gas supply pressure is 4.5 inches water column for natural gas and 11 inches water column for propane. certified for bedroom and bed-sitting room installation.

gas. Where the fireplace has been factory equipped for hi-altitude, the input has been downrated by 10%. This fireplace is the fan on, 71% with the fan off. Minimum A.F.U.E. (Annual Fuel Utilization Efficiency) rating is 64% for both natural and propane BTU/hr at an efficiency of 76% with the fan on, 72% with the fan off, and 18,240 BTU/hr for propane at an efficiency of 76% with above 4,500ft. and in the absence of specific recommendations from the local authority having jurisdiction, the certified high altitude input rating shall be reduced at the rate of 4% for each additional 1,000ft. Maximum output for natural gas is 22,800 Maximum input is 30,000 BTU/hr for natural gas and 24,000 BTU/hr for propane. When the fireplace is installed at elevations

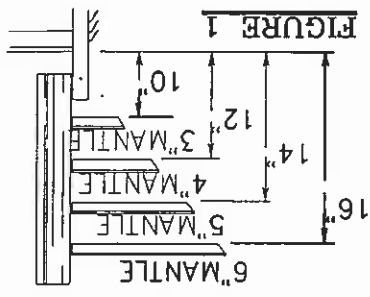
GENERAL INFORMATION

FOR YOUR SATISFACTION, THIS FIREPLACE HAS BEEN TEST-FIRED TO ASSURE ITS OPERATION AND QUALITY

WARNING

- Adults and especially children should be alerted to the hazards of high surface temperatures and should stay away to avoid burns or clothing ignition. Supervise young children when they are in the same room as the fireplace.
- Clothing or other flammable material should not be placed on or near the fireplace.
- Any safety screen or guard removed for servicing must be replaced prior to operating the fireplace.
- This fireplace must not be connected to a chimney flue pipe serving a separate solid fuel burning appliance.
- Do not operate the fireplace with the glass door removed, cracked or broken. Replacement of the glass should be done by a licensed or qualified service person.
- Do not strike or slam shut the fireplace glass door.
- Due to high temperatures, the fireplace should be located out of traffic and away from furniture and draperies.
- It is imperative that the control compartments, burners and circulating blower and its passageway in the fireplace and venting system are kept clean. The fireplace and its venting system should be inspected before use and at least annually by a qualified service person. More frequent cleaning may be required due to excessive lint from carpeting, bedding material, etc. The fireplace area must be kept clear and free from combustible materials, gasoline and other flammable vapours and liquids.
- Do not use this fireplace if any part has been under water. Immediately call a qualified service technician to inspect the fireplace and to replace any part of the control system and any gas control which has been under water.
- Under no circumstances should this fireplace be modified.
- Do not burn wood or other materials in this fireplace.

FIGURE 1. These clearances do not apply to a GI-700 kit type installation.

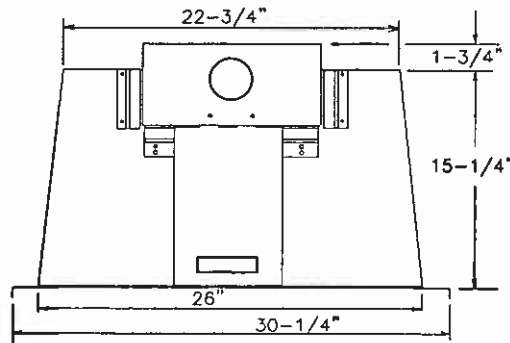


MANTLE CLEARANCE

front opening of the fireplace.

sibility clearance for servicing and operating the fireplace. Never obstruct the plug. Provide adequate ventilation and combustion air. Provide adequate access properly grounded receptacle. The grounding prong must not be removed from the cord TRICAL CODE in the United States. The blower power cord must be connected into a CANADIAN ELECTRICAL CODE in Canada or the ANS/NFPA 70-1990 NATIONAL ELEC- dance with local codes. In the absence of local codes, use the current CSA C22.1 The fireplace, when installed, must be electrically connected and grounded in accor-

FIGURE 2



INSTALLATION

INSTALLATION

Clean out the ashes from the inside of the woodburning fireplace. Make sure that the chimney and woodburning fireplace are in clean and sound condition. Do not remove bricks or mortar from the masonry fireplace. If necessary have any repair work done by a qualified person before installing the insert. Remove the existing fireplace damper or lock into an open position. Line the chimney with a 4 inch diameter approved liner. Chimney installation must conform to both national and local code requirements. The liner must be continuous from the fireplace to the chimney cap.

Remove the securing screw from the front of the dilution plate. FIGURE 3. Push the dilution hood out of its securing clip and attach the liner using 3 screws equally spaced. Move the insert into the centre of the woodburning fireplace making sure that the dilution draft hood inserts back into its securing clip. Level using the four leveling screws located front and back on either side of the fireplace base. Leveling the insert will eliminate rocking or excessive noise when the fan is in operation. Replace the securing screw to the front of the dilution plate.

Install rigid black pipe, a flex connector, *if local codes permit*, or 1/2" type L, copper tubing with a 3/8" to 1/2" adapter and a shut off valve to the fireplace. FIGURE 4. Seal and tighten securely. The adapter will be required between the gas valve and the copper tubing or flex connector. **DO NOT DAMAGE OR KINK FLEX CONNECTOR!**

Check for gas leaks by brushing on a soap and water solution. **DO NOT USE OPEN FLAME!** An on/off switch has been included and can be located at the lower right, behind the louvre access door or at the right side trim. FIGURE 6. For ease of accessibility, this switch may be replaced with a wall switch or substituted with a millivolt thermostat that may be installed in a convenient location on any wall. Route single strand millivolt wire through the electrical hole located at the bottom right side of the unit. The recommended maximum lead length depends on wire size:

WIRE SIZE	MAX. LENGTH
14gauge	50 feet
16gauge	34 feet
18gauge	20 feet

Attach the two leads to terminals 1 and 3 located on the gas valve. FIGURE 5. **DO NOT CONNECT EITHER THE WALL SWITCH OR THE GAS VALVE TO ELECTRICITY (110 VOLTS OR 24 VOLTS).** Objects placed in front of the fireplace should be kept a minimum of 24" away from the front face.

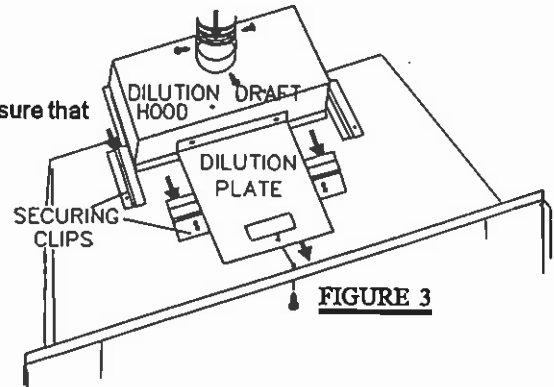
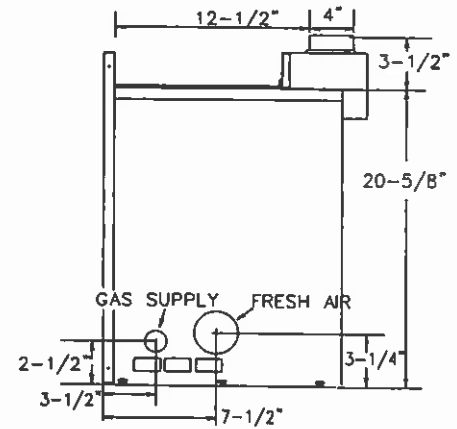


FIGURE 3

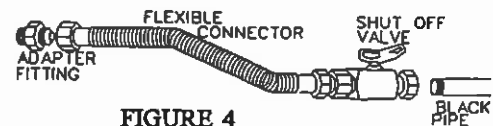


FIGURE 4

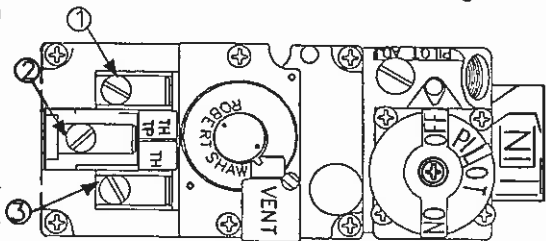


FIGURE 5

5. If venting action is unsatisfactory, turn the unit off, wait 10 minutes and try again. If the smoke or flame is still not drawn into the spill tube, turn the unit off and check for vent blockage or restriction. If necessary, consult with a qualified inspector.

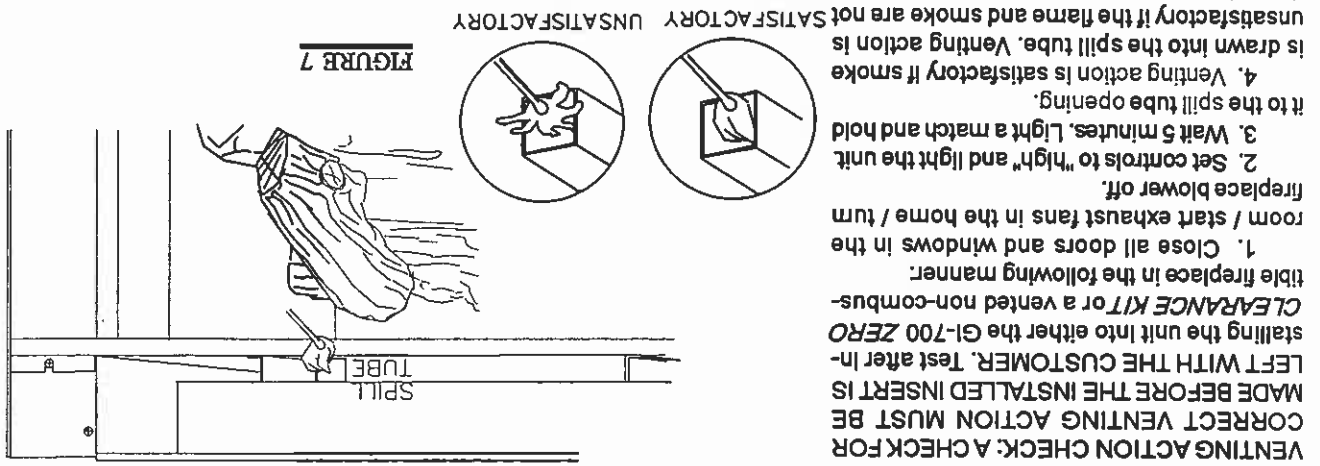


FIGURE 7

VENTING ACTION CHECK: A CHECK FOR CORRECT VENTING ACTION MUST BE MADE BEFORE THE INSTALLED INSERT IS LEFT WITH THE CUSTOMER. Test after installing the unit into either the GI-700 ZERO CLEARANCE KIT or a vented non-combustible fireplace in the following manner:

1. Close all doors and windows in the room / start exhaust fans in the home / turn fireplace blower off.
2. Set controls to "high" and light the unit.
3. Wait 5 minutes. Light a match and hold it to the spill tube opening.
4. Venting action is satisfactory if smoke is drawn into the spill tube. Venting action is unsatisfactory if the flame and smoke are not drawn into the tube.
5. If venting action is unsatisfactory, turn the unit off, wait 10 minutes and try again. If the smoke or flame is still not drawn into the spill tube, turn the unit off and check for vent blockage or restriction. If necessary, consult with a qualified inspector.

This is a thermally activated switch, attached to the back of the unit and extending up into the dilution draft hood, which senses the change in temperature and shuts down the gas valve in the event of a severe downdraft of air or a blocked or disconnected vent. It acts as a safety shut-off to prevent a build up of carbon monoxide or an explosion of unburnt gases during start up. If the flue is blocked or has no "draw", the spill switch will automatically shut off the supply of gas within about 5-10 minutes. TAMPERING WITH THE SWITCH CAN RESULT IN CARBON MONOXIDE (CO) POISONING AND POSSIBLE DEATH.

SPILL SWITCH

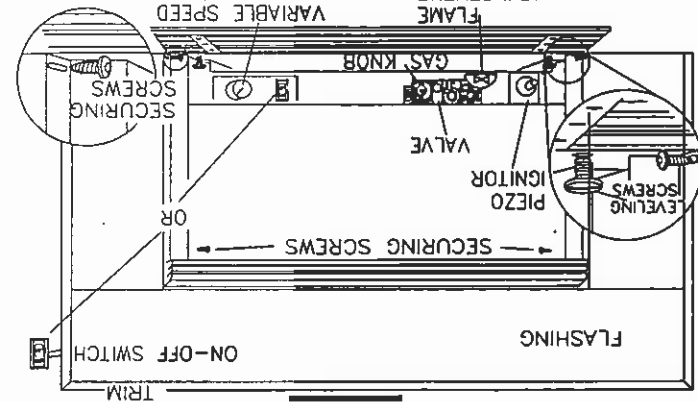


FIGURE 6

The insert can be equipped with a flashing kit to close off most fireplace openings. The flashing and trim are available in many finishes to accent any room decor.

GI3014: Mount the flashing inside the unit's outer shell using 4 securing screws, FIGURE 6.

GI3014B: To install the flashing, the short louvre brackets located at either side of the base must first be removed.

FIGURE 9

FLASHING INSTALLATION

GI-3014B BRICK PANEL INSTALLATION

Remove the securing screws located on either of the firebox sides as illustrated. Remove protective plastic wrap from all four panels. Center the rear brick panel against the back of the firebox. Place the left brick panel against the left side of the firebox, ensuring that it butts up to the rear panel. Excess material may be trimmed with a utility knife. Secure in place using a retainer bracket and 2 of the screws. Repeat for the right side. Place the front brick panel into the hearth area at the front. *When shipped, the brick panels range in colour from white to varying shades of brown. During initial use, the panels will darken temporarily and emit a slight odour for a few hours. This is a normal condition that will not occur again. Simply open a window to sufficiently ventilate the room. The appearance of the panels will permanently lighten in colour with use.*

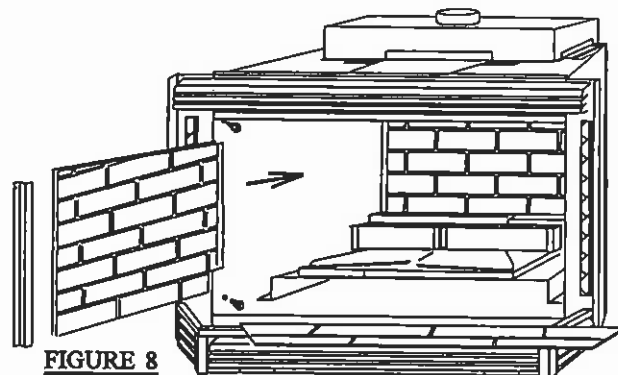


FIGURE 8

FINISHING

LOG PLACEMENT INSTRUCTIONS / CHARCOAL EMBERS

PHAZER™ logs and charcoal embers, exclusive to Napoleon Fireplaces, provide a unique and realistic glowing effect that is different in every installation. Take the time to carefully position the charcoal embers for a maximum glowing effect.

POSITIONING THE LOGS IMPROPERLY WILL CAUSE FLAME IMPINGEMENT AND CARBONING.

1. Place the front log onto the main burner, pushing it as close as possible to the burner ports without blocking/covering them. The left and right spacing between the log ends and the burner ports should be equal. **YOU MAY FIND IT EASIER TO PLACE SOME CHARCOAL EMBERS BENEATH THE FRONT LOG NOW.**
2. Place the back log onto the log support brackets located on the rear wall of the combustion chamber. The notch situated at the lower left of the back log should be centered evenly above the pilot assembly. FIGURE 9.
3. While supporting the back log, to prevent it from falling forward, set the three smaller logs into the pockets and grooves of the front and back logs, respectively.

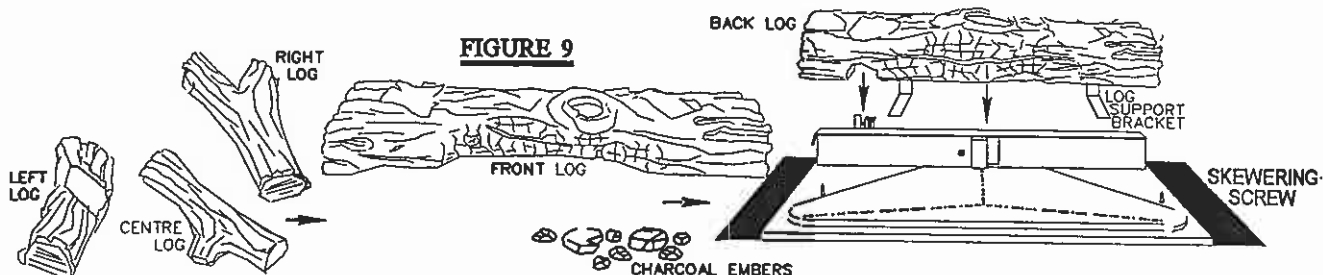


FIGURE 9

Log colours may vary. During the initial use of the fireplace, the colours will become more uniform as colour pigments burn in during the heat activated curing process.

CHARCOAL EMBERS: Randomly place the embers beneath the front log, covering all of the burner area beneath the hollowed out section of the log. FIGURE 10. Place the remaining embers along the front. Keep ember dust away from burner ports to avoid plugging them. Fine dust found in bottom of bag not to be used.

PHAZER™ logs and charcoal embers glow when exposed to direct flame. Use only certified **PHAZER™** logs and charcoal embers available from your Napoleon / Wolf Steel Ltd. dealer.

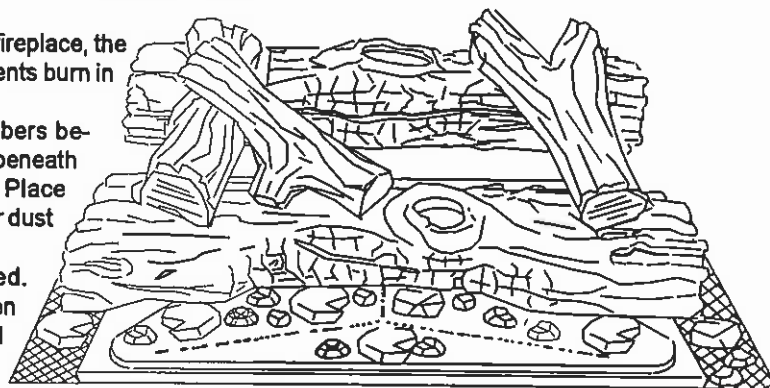
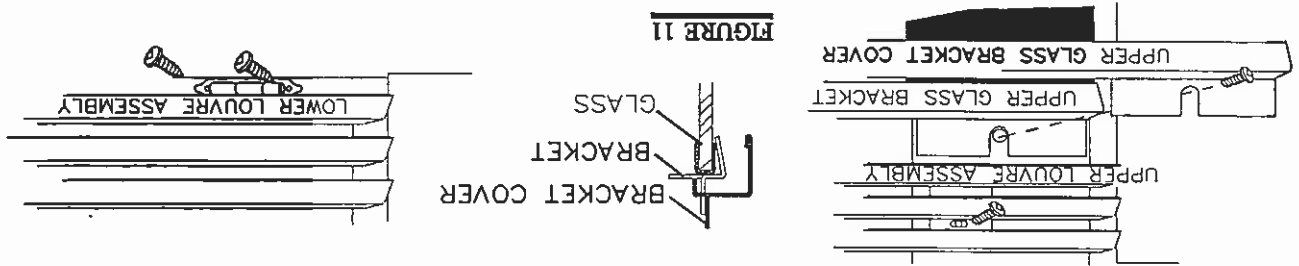


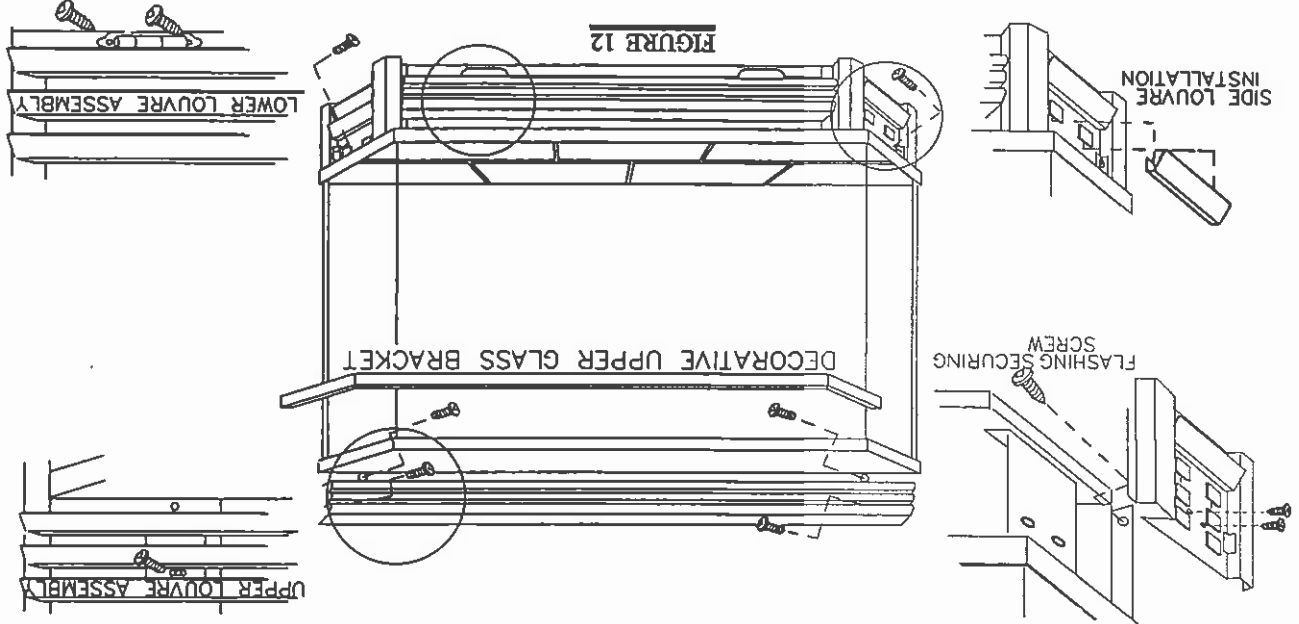
FIGURE 10

DOOR & LOUVER INSTALLATION

GI-3014: In order to access the interior of the firebox, remove two screws holding the upper glass bracket cover, and the upper glass bracket in place and the two screws holding the lower glass bracket. The louver assemblies are installed as illustrated in FIGURE 11. The upper glass bracket cover is formed with tabs to create a gap for air flow and must not be adjusted.



GI-3014B: In order to access the interior of the firebox, remove the two screws located below the upper louver assembly and the two screws located to either side between the first and second lower side louver. Lift out the bay frame assembly. See FIGURE 12. Install the louvers and louver assemblies as illustrated. Attach the decorative (magnetic) upper glass bracket.

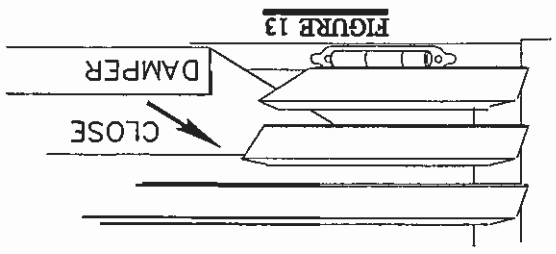


OPERATION / MAINTENANCE

FRESH AIR DAMPER SYSTEM

If your masonry fireplace is equipped with a fresh air inlet in the floor of the firebrick chamber, the insert is able to take outside air directly into the unit through an opening in its base thereby eliminating the need to use preheated room air for combustion. The flow of air may be adjusted through the use of a damper located below the louver access door, FIGURE 13. The damper should be kept closed (pushed all the way in) when the unit is not in operation or if no outside air is available. The damper is fully open when pulled forward (one inch from the closed position).

NEVER OBSTRUCT THE FLOW OF COMBUSTION OR VENTILATION AIR.



OPERATING INSTRUCTIONS





When lit for the first time, the stove will emit a slight odour for a few hours. This is a normal temporary condition caused by the curing of the logs and the "burn-in" of internal paints and lubricants used in the manufacturing process and will not occur again. Simply open a window to sufficiently ventilate the room. After extended periods of non-operation such as following a vacation or a warm weather season, the fireplace may emit a slight odour for a few hours. This is caused by dust particles in the heat exchanger burning off. Open a window to sufficiently ventilate the room.

- A** This stove has a pilot which must be lit by hand while following these instructions exactly.
- B** Before lighting, smell all around the fireplace area for gas and next to the floor because some gas is heavier than air and will settle on the floor.
- C** Use only your hand to push in or turn the gas control knob. Never use tools. If the knob will not push in or turn by hand, do not try to repair it. Call a qualified service technician. Force or attempted repair may result in a fire or explosion.
- D** Do not use this insert if any part has been under water. Immediately call a qualified service technician to inspect the unit and replace any part of the control system and any gas control touched by water.

WHAT TO DO IF YOU SMELL GAS:


- Do not try to light any appliance.
- Do not touch any electrical switch; do not use any phone in your building.
- Immediately call your gas supplier from a neighbour's phone. Follow the gas supplier's instructions.
- If you cannot reach your gas supplier, call the fire department.

LIGHTING INSTRUCTIONS:

1. Stop! Read all the safety information above. When lighting and re-lighting, the gas knob cannot be turned from "pilot" to "off" unless the knob is depressed.
2. Turn off all electrical power to the stove.
3. Turn the gas knob  clockwise to off.
4. Wait 5 minutes for any gas in the combustion chamber to escape. Continue to the next step if you do NOT smell any gas. *If you smell gas, STOP!* and follow the instructions in "What to do if You Smell Gas" listed above.
5. If the unit is equipped with a flame adjustment valve, turn clockwise to off. 
6. Locate the pilot situated in front of the rear log.
7. Turn the gas knob counter-clockwise to  "pilot" position.
8. Depress and hold the gas knob while lighting the pilot with the push button ignitor. Keep the knob fully depressed for one (1) minute, then release. If the pilot does not continue to burn, repeat steps 3 through 7.
9. With the pilot lit, turn the gas knob counter-clockwise  to "on" position.
10. If your insert is equipped with a flame adjustment valve, push and turn the knob to "high".
11. If your insert is equipped with a remote "on-off" switch, the main burner may not come on when you turn the gas valve to "on" or "high". *The remote switch must be in the "on" position as well to ignite the main burner.*
12. Turn on all electrical power to the insert.

INSTRUCTIONS TO TURN OFF GAS:

1. Turn off all electrical power to the unit if service is to be performed.

2. Push in gas control knob slightly and turn clockwise to off.  Do not force.



MAINTENANCE SEE FIGURE 18 TURN OFF THE GAS AND ELECTRICAL POWER BEFORE SERVICING THE FIREPLACE.

CAUTION: Label all wires prior to disconnection when servicing controls. Wiring errors can cause improper and dangerous operation. Verify proper operation after servicing. This insert and its venting system should be inspected before use and at least annually by a qualified service person. The fireplace area must be kept clear and free of combustible materials, gasoline or other flammable vapours and liquids. The flow of combustion and ventilation air must not be obstructed.

1. In order to properly clean the burner and pilot assembly, remove the logs to expose both assemblies.
2. Keep the control compartment, logs, burner, air shutter opening and the area surrounding the logs clean by vacuuming or brushing, *at least once a year.*
3. Check to see that all burner ports are burning. Clean out any of the ports which may not be burning or are not burning properly. (right brick panel must be removed in order to facilitate burner removal)
4. Check to see that the pilot flame is large enough to engulf the thermopile on one leg and reaches toward the burner on the other leg.
5. Replace the cleaned logs.
6. Check to see that the main burner ignites completely on all openings when the gas knob for the burner is turned on. A 5 to 10 second total light-up period is satisfactory. If ignition takes longer, consult your Napoleon dealer / distributor.
7. Check that the gasketing on the door is not broken or missing. Replace if necessary.

REPLACEMENT BLOWER INSTALLATION

BLOWER SYSTEM

The Napoleon gas fireplace insert comes standard with a blower, a heat sensor, variable on/off speed control and a power cord. Because the blower is thermally activated, when turned on, it will automatically start approximately 15 minutes after lighting the fireplace and will run for approximately 30 minutes after the fireplace has been turned off. Use of the fan increases the output of heat. Air, drawn in through the lower louvre access door, is driven up the back of the firebox, and exhausted as hot air between the upper louvres.

BLOWER REPLACEMENT INSTRUCTIONS (FIGURE 14 & 18):

- Turn off the gas and electric power to the unit.
- Remove the glass door.
- Remove the lower glass bracket.
- Remove the logs.
- Remove the burner assembly, (right brick panel must be removed in order to facilitate removal)
- Remove the four screws holding the access door in place on the control assembly (located to the back of the burner assembly), FIGURE 18.
- Disconnect the electrical connectors at the blower.
- Remove the blower.

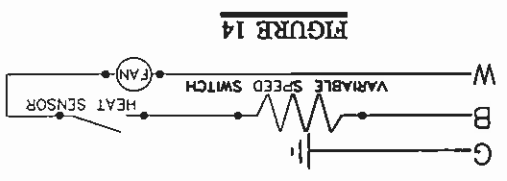


FIGURE 14

Remove the burner assembly, (right brick panel must be removed in order to facilitate removal) located to the back of the burner assembly), FIGURE 18.

ADJUSTMENTS

VENTURI ADJUSTMENT

Natural gas models have air shutters set at 1/16 (.063") inch open. Propane gas models have air shutters set at 5/16 (.313) inch open. Closing the air shutter will cause a more yellow flame, but can lead to carboning. Opening the air shutter will cause a more blue flame, but can cause flame lifting from the burner ports. The flame may not appear yellow immediately; allow 15 to 30 minutes for the final flame colour to be established, FIGURE 15.

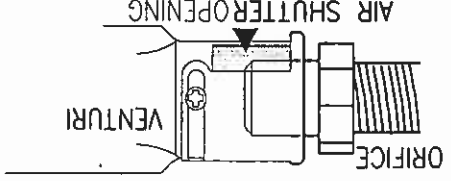


FIGURE 15

AIR SHUTTER ADJUSTMENT MUST ONLY BE DONE BY A QUALIFIED GAS INSTALLER!

PILOT BURNER ADJUSTMENT

1. Remove the pilot adjustment cap.
2. Adjust the pilot screw to provide properly sized flame.
3. Replace the pilot adjustment cap.

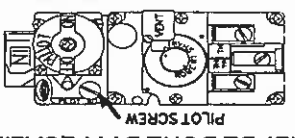


FIGURE 16



FIGURE 17

REPLACEMENT PARTS

ORDERING REPLACEMENT PARTS

Contact your dealer or the factory for questions concerning prices and policies on replacement parts. Normally all parts can be ordered through your Napoleon dealer or distributor. When ordering replacement parts always give the following information: 1. Model & Serial Number of the unit. 2. Installation date of the unit. 3. Part Number 4. Part Description 5. Finish

REPLACEMENT PARTS LIST

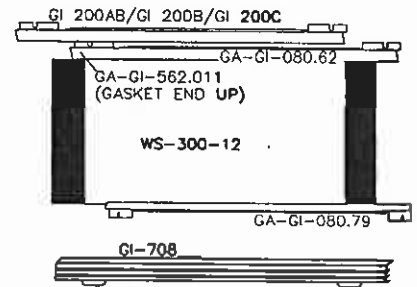
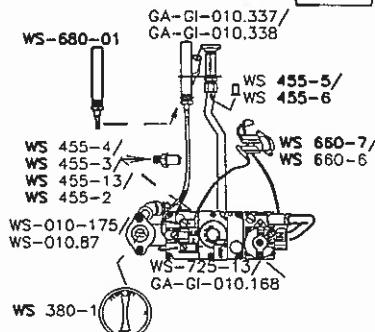
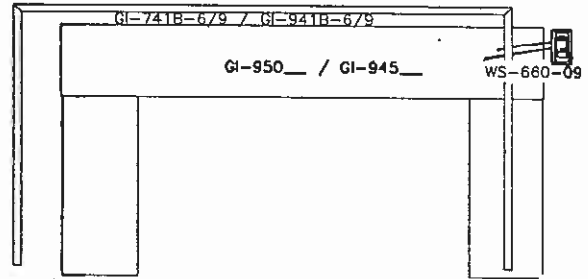
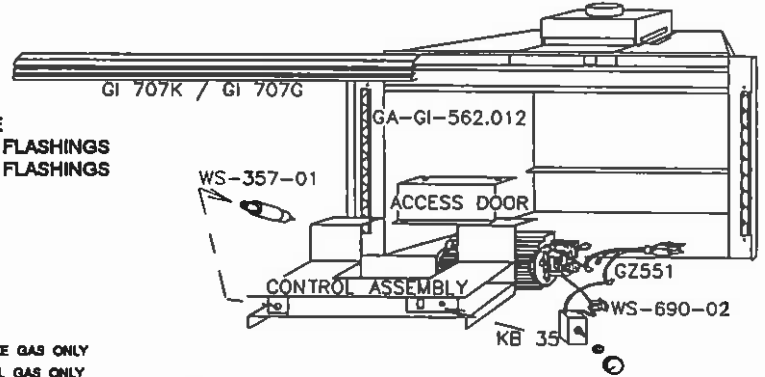
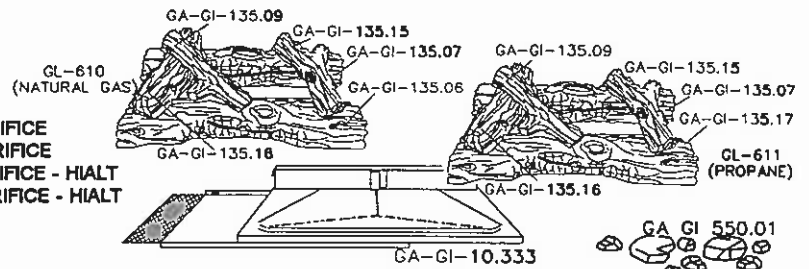
PART NO.	DESCRIPTION
GZ-551	REPLACEMENT BLOWER
WS-725-13	NATURAL GAS VALVE - REMOTE
GA-G10-168	PROANE GAS VALVE - REMOTE
WS-010-175	LP HLO VALVE
WS-010-87	NG HLO VALVE

REPLACEMENT PARTS LIST

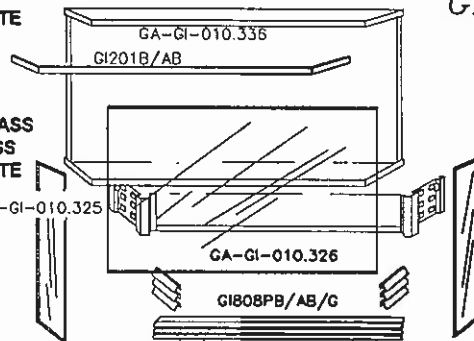
PART NO. DESCRIPTION

COMMON PARTS CONT'D

- WS 455-04 #36 DMS NATURAL GAS BURNER ORIFICE
- WS 455-03 #54 DMS PROPANE GAS BURNER ORIFICE
- WS 455-13 #37 DMS NATURAL GAS BURNER ORIFICE - HIALT
- WS 455-02 #55 DMS PROPANE GAS BURNER ORIFICE - HIALT
- WS 380-1 FLAME ADJUSTMENT VALVE KNOB
- WS 660-7 SPILL SWITCH (NATURAL GAS)
- WS 660-6 SPILL SWITCH (PROPANE GAS)
- GA-GI-010.337 NATURAL GAS PILOT ASSEMBLY
- GA-GI-010.338 PROPANE GAS PILOT ASSEMBLY
- WS-357-01 PIEZO IGNITER
- WS-680-01 THERMOPILE
- WS-690-02 THERMAL SENSING SWITCH
- GI 707K UPPER LOUVRE ASS'Y - BLACK
- GI 707G UPPER LOUVRE ASS'Y- 24K GOLD PLATE
- GI 941B6 "MARQUIS" TRIM - SATIN BRASS FOR 6" FLASHINGS
- GI 941B9 "MARQUIS" TRIM - SATIN BRASS FOR 8" FLASHINGS
- WS-660-09 BURNER ON/OFF SWITCH
- GA GI 135.07 BACK LOG
- GA GI 135.17 FRONT LOG PROPANE GAS ONLY
- GA GI 135.06 FRONT LOG NATURAL GAS ONLY
- GA GI 135.10 RIGHT LOG
- GA GI 135.09 CENTER LOG
- GA GI 135.08 LEFT LOG
- GL-611 LOG SET c/w CHARCOAL EMBERSPROPANE GAS ONLY
- GL-810 LOG SET c/w CHARCOAL EMBERSNATURAL GAS ONLY
- GA GI 650.01 CHARCOAL EMBERS
- GA GI 10.333 BURNER ASSEMBLY
- WS 455-5 NATURAL GAS PILOT ORIFICE
- WS 455-6 PROPANE GAS PILOT ORIFICE
- GI 945AB-6 ANTIQUE BRASS FLASHINGS - 6"
- GI 945B-6 POLISHED BRASS FLASHINGS - 6"
- GI 945C-6 CHROME FLASHINGS - 6"
- GI 945K-6 BLACK FLASHINGS - 6"
- GI 950S-6 ALMOND ENAMEL FLASHINGS - 6"
- GI 950B-6 BLUE ENAMEL FLASHINGS - 6"
- GI 950K-6 BLACK ENAMEL FLASHINGS - 6"
- GI 950F-6 GREEN ENAMEL FLASHINGS - 6"
- GI 945AB-9 ANTIQUE BRASS FLASHINGS - 9"
- GI 945B-9 POLISHED BRASS FLASHINGS - 9"
- GI 945C-9 CHROME FLASHINGS - 9"
- GI 945K-9 BLACK FLASHINGS - 9"
- GI 950S-9 ALMOND ENAMEL FLASHINGS - 9"
- GI 950B-9 BLUE ENAMEL FLASHINGS - 9"
- GI 950K-9 BLACK ENAMEL FLASHINGS - 9"
- GI 950F-9 GREEN ENAMEL FLASHINGS - 9"
- WS-385-33 NAPOLEON LOGO
- KB 35 VARIABLE SPEED SWITCH
- GI3014**
- WS-300-12 DOOR GLASS
- GA-GI-562.012 DOOR GASKET (2PC - SIDE)
- GA-GI-562.011 DOOR GASKET - TOP
- GI 200B UPPER GLASS BRACKET COVER - POL. BRASS
- GI 200AB UPPER GLASS BRACKET COVER - ANT. BRASS
- GI 200C UPPER GLASS BRACKET COVER - CHROME
- GA-GI-080.62 UPPER GLASS BRACKET
- GA-GI-080.79 LOWER GLASS BRACKET
- GI 708PB LOWER LOUVRE ASSY - POLISHED BRASS
- GI 708AB LOWER LOUVRE ASSY- ANTIQUE BRASS
- GI 708C LOWER LOUVRE ASSY - CHROME
- GI 708G LOWER LOUVRE ASSY - 24K GOLD PLATE
- GI 941K6 1" TRIM - BLACK FOR 6" FLASHINGS
- GI 941K9 1" TRIM - BLACK FOR 8" FLASHINGS
- GI3014B**
- GI 808PB LOWER LOUVRE ASSY - POLISHED BRASS
- GI 808AB LOWER LOUVRE ASSY- ANTIQUE BRASS
- GI 808G LOWER LOUVRE ASSY - 24K GOLD PLATE
- GA GI 010.336 BAY FRAME ASS'Y c/w GASKET
- GA GI 010.326 FRONT GLASS c/w GASKET
- GA-GI 010.325 SIDE GLASS c/w GASKET
- GI 201AB BAY DOOR TRIM - ANTIQUE BRASS
- GI 201B BAY DOOR TRIM - POLISHED BRASS
- GA GI 475.144 REAR BRICK PANEL
- GA GI 475.143 FRONT BRICK PANEL
- GA GI 475.145 RIGHT SIDE BRICK PANEL
- GA GI 475.142 LEFT SIDE BRICK PANEL



GI-3014

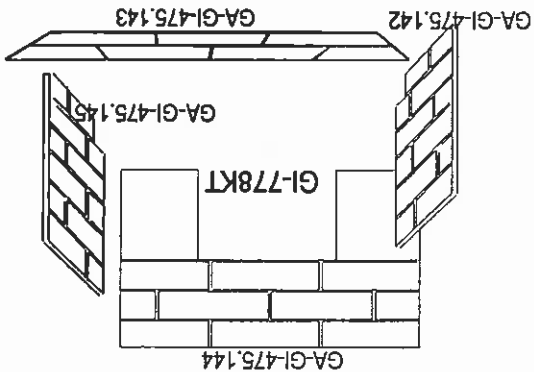
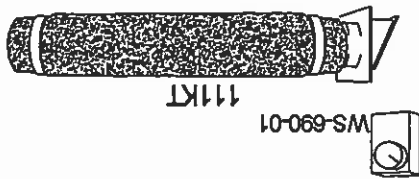
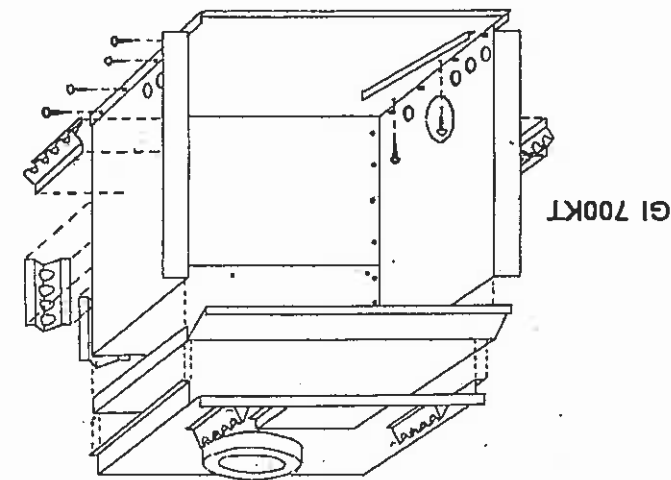


GI-3014B

ACCESSORIES / OPTIONS

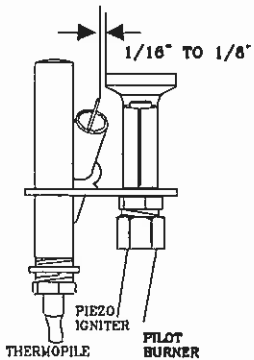
PART NO. DESCRIPTION

PART NO.	DESCRIPTION
GI 778KT	BRICK VENEER KIT
WS 470-2	ENAMEL TOUCH UP AND BRUSH (SPECIFY COLOUR)
GI 700KT	ZERO CLEARANCE SHELL
111-KT	OUTSIDE AIR KIT
WS 690-1	MILLIVOLT THERMOSTAT, FOR REMOTE UNITS ONLY
WS 660-2	HANDHELD REMOTE CONTROL, FOR REMOTE UNITS ONLY
WS-660-010	REMOTE CONTROL - ADVANTAGE
WS-660-011	REMOTE CONTROL - ADVANTAGE PLUS
GD 660	WALL SWITCH/20FT WIRE FOR REMOTE UNITS ONLY
WS 500-33	V.S.S. MOUNTING PLATE FOR WALL SWITCH
GI3014	GOLD PLATED LOUVRES
GI 709G	GOLD PLATED LOUVRES
GI 940B-6	6" FLASHING KIT - POLISHED BRASS
GI 940A-6	6" FLASHING KIT - ANTIQUE BRASS
GI 940K-6	6" FLASHING KIT - BLACK
GI 940C-6	6" FLASHING KIT - CHROME
GI 940B-9	9" FLASHING KIT - POLISHED BRASS
GI 940A-9	9" FLASHING KIT - ANTIQUE BRASS
GI 940K-9	9" FLASHING KIT - BLACK
GI 940C-9	9" FLASHING KIT - CHROME
GI 960S-6	6" PORCELAIN FLASHING KIT - ALMOND
GI 960B-6	6" PORCELAIN FLASHING KIT - BLUE
GI 960K-6	6" PORCELAIN FLASHING KIT - BLACK
GI 960F-6	6" PORCELAIN FLASHING KIT - GREEN
GI 960S-9	9" PORCELAIN FLASHING KIT - ALMOND
GI 960B-9	9" PORCELAIN FLASHING KIT - BLUE
GI 960K-9	9" PORCELAIN FLASHING KIT - BLACK
GI 960F-9	9" PORCELAIN FLASHING KIT - GREEN
GI3014B	GOLD PLATED LOUVRES
GI 809-G	GOLD PLATED LOUVRES
GI949B-6	6" FLASHING KIT - POLISHED BRASS
GI 949A-6	6" FLASHING KIT - ANTIQUE BRASS
GI 949K-6	6" FLASHING KIT - BLACK
GI 949B-9	9" FLASHING KIT - POLISHED BRASS
GI 949A-9	9" FLASHING KIT - ANTIQUE BRASS
GI 949K-9	9" FLASHING KIT - BLACK
GI 969S-6	6" PORCELAIN FLASHING KIT - ALMOND
GI 969B-6	6" PORCELAIN FLASHING KIT - BLUE
GI 969K-6	6" PORCELAIN FLASHING KIT - BLACK
GI 969F-6	6" PORCELAIN FLASHING KIT - GREEN
GI 969S-9	9" PORCELAIN FLASHING KIT - ALMOND
GI 969B-9	9" PORCELAIN FLASHING KIT - BLUE
GI 969K-9	9" PORCELAIN FLASHING KIT - BLACK
GI 969F-9	9" PORCELAIN FLASHING KIT - GREEN



TROUBLE SHOOTING GUIDE

BEFORE ATTEMPTING TO TROUBLE SHOOT, PURGE YOUR UNIT AND INITIALLY LIGHT THE PILOT AND THE MAIN BURNER WITH THE GLASS DOOR REMOVED.

SYMPTOM	PROBLEM	TEST SOLUTION
Pilot goes out when the gas knob is released.	A - System is not correctly purged.	- purge the gas line.
	B - Out of propane gas.	- fill the tank.
	C - Pilot flame is not large enough	- turn up the pilot flame.
	D - Pilot flame is not engulfing the thermopile.	- gently twist the pilot head to improve the flame pattern around the thermopile.
	E - Thermopile shorting.	- clean thermopile and valve connection. - check that thermopile insulation is not frayed and grounding out on the housing or the burner support. - replace thermopile. - replace valve.
	F - Faulty thermopile.	- replace.
	G - Faulty valve.	- replace.
Pilot burning; no gas to main burner; gas knob is on; wall switch is on; heat/flame adjustment valve is on (if so equipped).	A - Wall switch is defective	- connect a jumper wire across the wall switch terminals; if the main burner lights, replace the wall switch.
	B - Wall switch wiring is defective.	- connect a jumper wire across terminals 1 and 3; if the main burner lights, check the wires for defects and/or replace wires.
	C - Main burner orifice is plugged.	- remove stoppage in orifice.
	D - Remote gas valve operator is defective.	- connect a jumper wire across terminals 1 and 3; if main burner does not light, replace gas valve.
Pilot goes out while standing; Main burner is in 'OFF' position.	Gas piping is undersized.	- turn on all gas appliances and see if pilot flame flutters, diminishes or extinguishes, especially when main burners ignite. Monitor supply pressure. - check if supply piping size is to code. Correct all undersized piping.
Pilot will not light.	 <p>A - No spark at pilot burner</p> <p>B - Spark gap is incorrect</p> <p>C - No gas at the pilot burner</p> <p>D - Out of propane gas</p>	- check that the wire is connected to the push button ignitor. - check if the push button ignitor needs tightening. - replace pilot assembly if the wire insulation is broken or frayed. - replace pilot assembly if the ceramic insulator is cracked or broken. - replace the push button ignitor.
		- spark gap should be 1/16" to 1/8" from the electrode tip and the pilot burner. Light the pilot with a match and adjust the electrode tip to the required spark gap and proper location.
		- check that the manual valve is turned on. - check the pilot orifice for blockage. - replace the valve. - call the gas distributor.
		- fill the tank.

SYMPTOM	PROBLEM	TEST SOLUTION
Main burner goes out; pilot stays on.	A - Refer to "Main burner goes out; pilot stays on" B - Chimney down-drafting	- wait ten minutes. Shut off all exhaust fans in the house (ie: kitchen and bathrooms), furnace, and clothes dryer. Open windows and/or doors. Start fireplace and monitor its operation. Close doors and windows and start appliances as before; room is in negative pressure; increase fresh air supply.
Carbon is being deposited on glass, logs or combustion chamber surfaces.	Air shutter has become blocked Flame is impinging on the logs or combustion chamber.	- check that the logs are correctly positioned. - open air shutter to increase the primary air. - check the input rate: check the manifold pressure and orifice size as specified by the rating plate values. - check that the door gasketing is not broken or missing and that the seal is tight. - check that both 4" and 7" vent liners are free of holes and well sealed at all joints. - check that minimum rise per foot has been adhered to for any horizontal venting.
Exhaust fumes smelled in room, headaches.	Fireplace is spilling.	- check for chimney blockage. - check that chimney is installed to building code. - room is in negative pressure; increase fresh air supply.
White/grey film forms.	Sulphur from fuel is being deposited on glass, logs or combustion chamber surfaces.	- clean the glass with a non-abrasive ammonia or vinegar based glass cleaner. DO NOT CLEAN GLASS WHEN HOT. If deposits are not cleaned off regularly, the glass may become permanently marked.
Remote wall switch is in off position; main burner comes on when gas knob is turned to "ON" position.	A - Wall switch is mounted upside down. B - Remote wall switch is grounded. C - Remote wall switch wire is grounded.	A - reverse. B - replace. C - check for ground (short); repair ground or replace wire.
Main burner flame is a blue, lazy, transparent flame.	A - Insufficient secondary air. B - Downdraft or blockage in chimney.	- increase fresh air supply (open door, window, add make-up air supply) - remove blockage.
Main burner goes out; pilot stays on.	A - Pilot flame is not large enough or not engulfing the thermopile. B - Thermopile shorting.	- turn on pilot flame. Gently twist the pilot head to improve the flame pattern around the thermopile. - clean thermopile and thermopile connection to valve.

