

OUTSIDE AIR KIT INSTALLATION

An outside air kit is available as an optional feature with this appliance. An outside air kit helps to decrease the amount of room air taken by utilizing outside air for combustion. It is strongly recommended that it be installed.

The outside air kit can only be installed on the left side of the appliance.

To install the outside air kit, refer to the installation instructions provided with the kit.

Note: The outside air kit can terminate at any level with the exception that it must terminate at least one foot below the vent termination cap. The outside air kit inlet thimble should be positioned at least four feet above the ground level in a manner that will not allow snow, leaves, etc. to block the inlet.

WARNING!

Exhaust products of gasoline engines are hazardous. The outside air must not be taken from a garage space, attic spaces, basements or above the roofing where other heating appliances, fans or chimneys exhaust or utilize air.

F. UTILITIES

1. HIGH ALTITUDE INSTALLATION

For U.S. installation, gas appliances are tested and approved for elevations from 0-2000 feet. When installing this gas appliance at an elevation above 2000 feet, National Fuel Gas Codes require a decrease of the input rating by changing the existing burner orifice to a smaller size. Input should be reduced 4% for each 1000 feet above sea level. Check with the local gas utility for proper orifice size identification. The correct orifice is available from your Hearth & Home Technologies distributor.

For Canada, gas appliances are certified for elevations from 0-4500 feet. When installing this gas appliance at an elevation between 0-4500 feet in Canada, the input rating does not need to be reduced. When installing this gas appliance at an elevation above 4500 feet in Canada, check with local authorities.

2. GAS LINE CONNECTION

The appliance is provided with a stainless steel flexible connector and manual shutoff valve (see Figure 10). The incoming gas line should be piped into the valve compartment and connected to the 1/2" FIP connection provided on the manual shutoff valve. All connections must be tightened and checked for leaks with a soap/water solution or leak detector. Bleed the gas line for about 5 seconds to extract any air that may have been trapped inside the pipe. See Figure 11 to connect gas line.

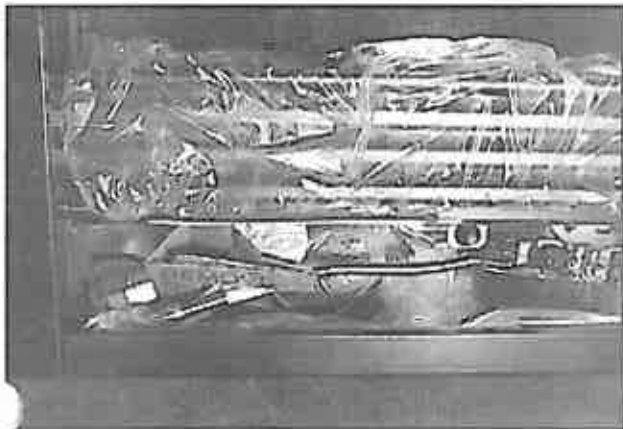


Figure 10
Control Compartment

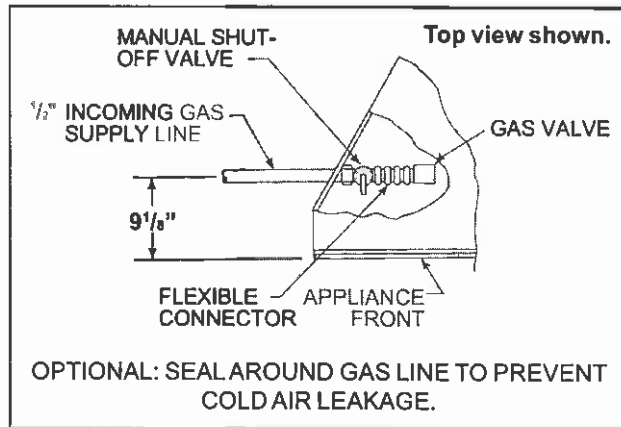


Figure 11 - Gas Line

WARNING!

The gas control valve has been preset at the factory. Altering settings may result in fire hazard or bodily injury.

Note: The gas appliance and its manual shutoff valve must be disconnected from the gas supply piping system during any pressure testing of that system at test pressures in excess of 1/2 psi (3.5 kPa). The gas appliance must be isolated from the gas supply piping system by closing its manual shutoff valve during any pressure testing of the gas supply piping system at test pressures equal to or less than 1/2 psi (3.5 kPa).

3. GAS PRESSURE

On the standing pilot and electronic gas control valve, a pressure tap is included on the front face of the valve. Pressure taps are located on the front face of the valve and accessible for test gauge connection.

Tables 2 and 3 show optimum gas pressure information. Consult your local gas company for assistance in determining the proper orifice for your altitude or refer to ANSI Z223.1-latest edition, Appendix F.

4. GAS CONVERSIONS

Natural or propane gas conversions necessary to meet the application need to be made by a qualified technician using Hearth & Home Technologies specified and approved parts. In the event your gas appliance must be converted to use propane, you must use a CKVP Conversion Kit. To be converted to use natural gas, you must use a CKVN Conversion Kit.

CALIBER 60 and 80	
Inlet Gas Supply Press. (N.G.)	4.5 (min.) - 7.0 (max.) in. w.c.
Optimal Manifold Press (N.G.)	3.5 in. w.c.
Inlet Gas Supply Press. (L.P.)	11.0 (min.) - 14.0 (max.) in. w.c.
Optimum Manifold Press. (L.P.)	10 in. w.c.

Table 2 - Gas Information for Electronic and Standing Pilot Appliances

CALIBER:	60	80
Input Rate (N.G.)	32,000 BTU/hr.	35,000 BTU/hr.
Input Rate (L.P.)	32,000 BTU/hr.	35,000 BTU/hr.
Orifice Size (N.G.)	.110"	.113"
Orifice Size (L.P.)	.067"	.070"

Table 3 - Gas Information for Electronic and Standing Pilot Appliances

5. WIRING

a. Electronic Ignition

1) Appliance Requirements

This appliance requires a 110V AC supply from a wall switch to the appliance junction box for operation. A wiring diagram is shown in Figure 12.

2) Optional Accessories Requirements

Wiring for optional accessories should be done now to avoid reconstruction.

Note: This appliance must be electrically wired and grounded in accordance with local codes or, in the absence of local codes, with National Electric Code ANSI/NFPA 70-latest edition or the Canadian Electric Code, CSA C22.1.

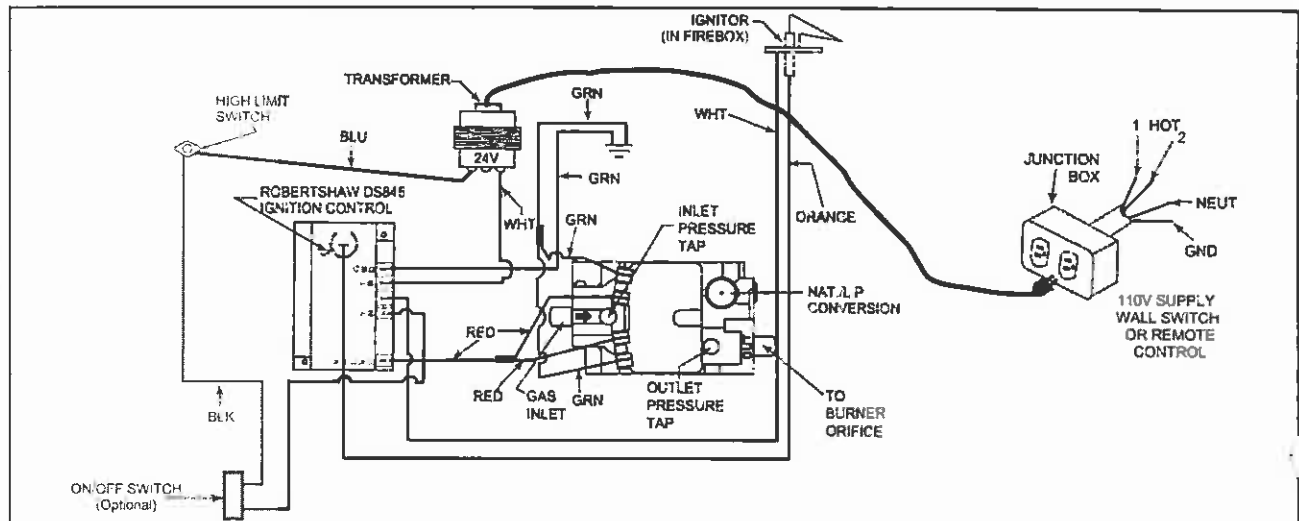


Figure 12 - Electronic Ignition Wiring Diagram

b. Standing Pilot Ignition

- 1) **Appliance Requirements**
A wiring diagram is shown in Figure 13.
- 2) **Optional Accessories Requirements**
Wiring for optional accessories should be done now to avoid reconstruction.

WARNING!

This appliance does not require a 110V AC supply for operation. Connecting the appliance/wall switch to a 110V AC supply will cause the appliance to malfunction and destroy the valve and thermopile.

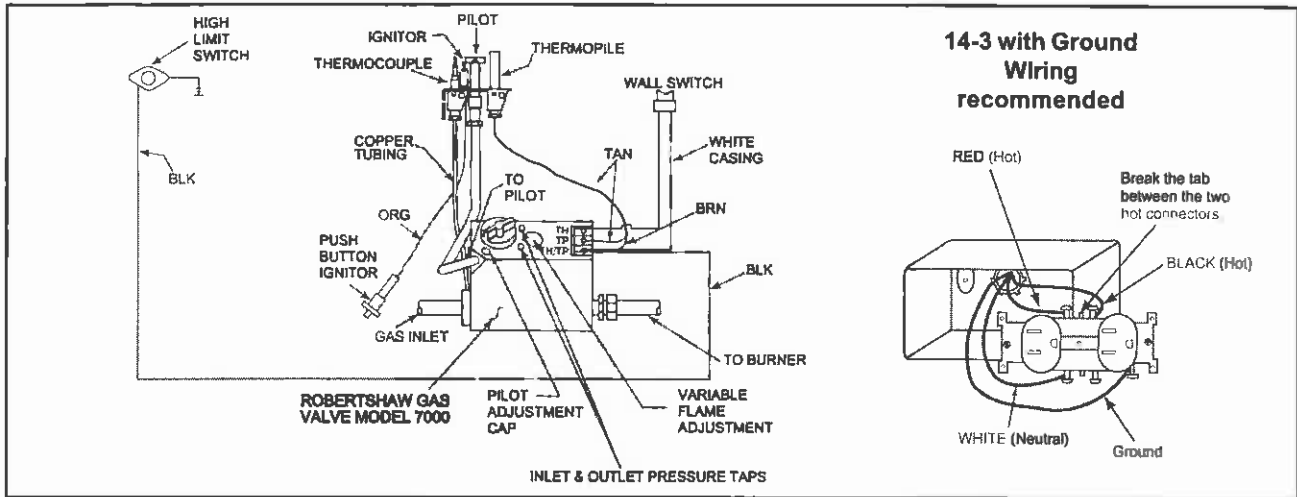


Figure 13 - Standing Pilot Ignition Wiring Diagram

6. JUNCTION BOX INSTALLATION INSTRUCTIONS

- a. Remove the junction box assembly from the valve compartment.
- b. If the box is being wired from the OUTSIDE of the appliance:
 - 1) Loosen two screws on the Romex connector, feed the necessary length of wire through the connector and tighten the screws.
 - 2) Make all necessary wire connections to the receptacle and assemble the receptacle and cover to the junction box.
 - 3) Attach the junction box assembly to the outside of the appliance with the two screws provided.
- c. If the box is being wired from the INSIDE of the appliance:
 - 1) Pull the electrical wires from outside the appliance through this opening into the valve compartment.
 - 2) Loosen the two screws on the Romex connector, feed the necessary length of wire through the connector and tighten the screws.
 - 3) Make all necessary wire connections to the receptacle and assemble the receptacle and cover to the junction box.
 - 4) Attach the junction box assembly to the inside of the appliance with the two screws provided.
- d. If the box is not to be wired at the time of appliance installation, assemble the receptacle and cover to the box and install on the inside of the appliance.

The first name in fireplaces

G. FINISHING

1. COMBUSTIBLE FINISHING MATERIAL

Material made of or surfaced with wood, compressed paper, plant fibers, plastics, or any material capable of igniting and burning, whether flame proofed or not, plastered or unplastered (this includes drywall).

2. NONCOMBUSTIBLE FINISHING MATERIAL

Material which will not ignite and burn. Such materials are those consisting entirely of steel, iron, brick, tile, concrete, slate, glass or plasters, or combination thereof, or have a UL Fire rating of Zero (0).

3. HIGH TEMPERATURE SEALANT MATERIAL

Sealants that will withstand high temperatures: General Electric RTV103 (Black) or equivalent and Rutland, Inc. Appliance Mortar #63, or equivalent.

A bead of high temperature sealant, 1/8" inch wide minimum, must be used to close off gaps between the appliance and facing to prevent cold air leaks. See Figure 14.

A combustible mantel may be installed. Please refer to Figure 4, page 7.

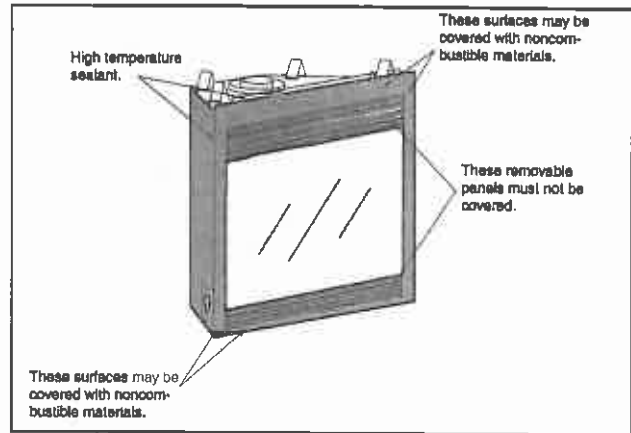


Figure 14 - Finishing Materials

WARNING!

Grilles on this appliance cannot, in any way, be covered as it may create a fire hazard.

H. APPLIANCE PREPARATION

1. ATTACHING THE HOOD

The hood is to be located above the glass panel. The hood must be attached or a fire hazard may result. Locate the four screws just inside the upper section of the appliance. Position the hood and slide into position. Tighten the four screws. See Figure 15.

2. UPPER PANEL REMOVAL

Grasp the upper grille panel and remove the rubber pins holding the grille. See Figure 16.

3. CONTROL ACCESS PANEL REMOVAL

Release the spring pin on the right hand side of the control access panel. See Figure 17.

4. GLASS AND SCREEN REMOVAL

See page 19 of this manual.

5. APPLIANCE PREPARATION

Remove the strap from the screws on the hearth pan. Remove the foam material. The log set should look similar to that in Figure 18.



Figure 15 - Installing the Hood



Figure 16 - Upper Grille Panel Removal

WARNING - RISK OF CARBON MONOXIDE!

Do not hit or strike glass. Do not operate this appliance if the glass is broken or cracked.

WARNING - RISK OF CARBON MONOXIDE!

Never operate this appliance with the glass removed or not sealed.

The first name in fireplaces

PLACING THE LAVA ROCK AND VERMICULITE

See Figures 19-21. It is not necessary to use the entire bag. Save the remaining amount for future use.

7. PLACING THE ROCK WOOL

Place a small amount of 1/2 inch diameter pieces (dime-size) of rock wool on the burner pan so that the rock wool touches but does not cover the holes in the burner pan. This will provide the "glowing embers" look. As with the lava rock and vermiculite, it is not necessary to use the entire bag. Save the remaining for future use. See Figures 20 and 22.

8. PLACING THE FIRE GLOW

Fire glow (FIRE98) is a flame colorant material that also adds to the realism of the gas appliance flame. After placing the rock wool in the appliance, sprinkle some of the fire glow on top of the burner. As with the lava rock, vermiculite and rock wool, it is not necessary to use the entire bag. Save the remaining for future use. See Figures 20 and 23.

9. REPLACING THE GLASS

Replace the glass as shown on page 19.

10. REPLACING THE CONTROL ACCESS PANEL

See Figure 24.

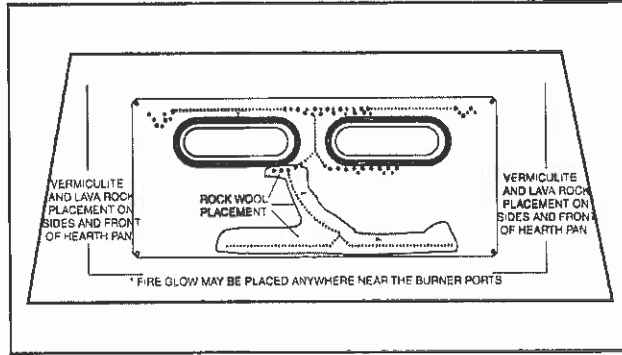


Figure 20 - Placing the Vermiculite, Lava Rock, Rock Wool, and Fire Glow.



Figure 21 - Placing the Vermiculite



Figure 22 - Placing the Rock Wool



Figure 23 - Placing the Fire Glow



Figure 17 - Control Access Panel Removal



Figure 18 - CALIBER Log Set (CALIBER 60 shown)



Figure 19 - Placing Lava Rock



Figure 24 - Replace the Control Access Panel

I. DETERMINE THE IGNITION

To determine whether your appliance is an electronic ignition or a standing pilot ignition system, open the control access panel to examine the wiring system. If your system has a red ignitor button as shown in Figure 25, you own a standing pilot ignition appliance. If no red ignitor button is present, you own an electronic ignition appliance.

You may also check the rating label located on the inside of the control access panel to determine ignition type.



Figure 25 - Standing Pilot Ignition

J. LIGHTING INSTRUCTIONS

1. ELECTRONIC APPLIANCES

FOR YOUR SAFETY READ BEFORE OPERATING

WARNING! If you do not follow these instructions exactly, a fire or explosion may result causing property damage, personal injury or loss of life.

- A. This appliance does not have a pilot. It is equipped with an ignition device which automatically lights the burner. Do not try to light the burner by hand.
- B. **BEFORE OPERATING** smell all around the appliance area for gas. Be sure to smell next to the floor because some gas is heavier than air and will settle on the floor.
WHAT TO DO IF YOU SMELL GAS
 - Do not try to light any appliance.
 - Do not touch any electric switch; do not use any phone in your building.
 - Immediately call your gas supplier from a neighbor's phone. Follow the supplier's instructions.
 - If you cannot reach your gas supplier, call the fire department.
- C. Use only your hand to push in and turn the gas control knob. Never use tools. If the lever or knob will not move by hand, don't try to repair it - call a qualified service technician. Force or attempted repair may result in a fire or explosion.
- D. Do not use this appliance if any part has been under water. Immediately call a qualified service technician to inspect the appliance and to replace any part of the control system and any gas control which has been under water.

LIGHTING INSTRUCTIONS

1. **STOP!** Read the safety information above on this label.
2. Turn wall switch to the "OFF" position.
3. This appliance is equipped with an ignition device which automatically lights the burner. Do not try to light burner by hand.
4. Wait five (5) minutes to clear out any gas. If you then smell gas, **STOP!** Follow "B" in the safety information above on this label. If you don't smell gas, go on to the next step.
5. To turn on burner, turn on all electric power to this appliance.
6. If the appliance will not operate, follow the instructions "TO TURN OFF GAS TO APPLIANCE" and call your service technician or gas supplier.

TO TURN OFF GAS TO APPLIANCE

1. Open the control access panel.
2. Turn off the wall switch.
3. Push in gas control knob and turn to the "OFF" position. Do not force.
4. Close control access panel.

STANDING PILOT IGNITION

**FOR YOUR SAFETY
READ BEFORE OPERATING**

WARNING! If you do not follow these instructions exactly, a fire or explosion may result causing property damage, personal injury or loss of life.

- A. This appliance has a pilot which must be lighted by hand. When lighting the pilot, follow these instructions exactly.
- B. **BEFORE OPERATING** smell all around the appliance area for gas. Be sure to smell next to the floor because some gas is heavier than air and will settle on the floor.

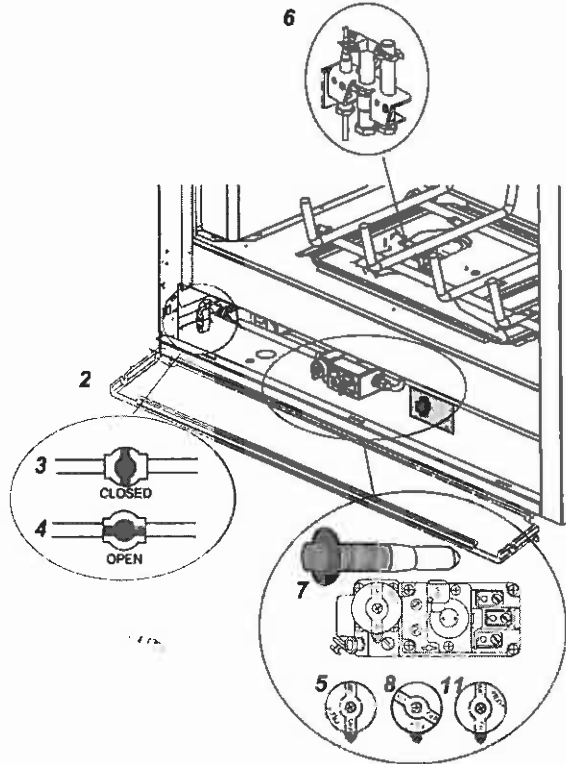
WHAT TO DO IF YOU SMELL GAS

 - Do not try to light any appliance.
 - Do not touch any electric switch; do not use any phone in your building
 - Immediately call your gas supplier from a neighbor's phone. Follow the supplier's instructions.
 - If you cannot reach your gas supplier, call the fire department.
- C. Use only your hand to push in or turn the knob. Never use tools. If the knob will not move by hand, don't try to repair it - call a qualified service technician. Force or attempted repair may result in a fire or explosion.
- D. Do not use this appliance if any part has been under water. Immediately call a qualified service technician to inspect the appliance and to replace any part of the control system and any gas control which has been under water.

LIGHTING INSTRUCTIONS

STOP! Read the safety information above on this label!

1. Turn off all wall switches to the appliance.
2. Open control access panel.
3. Turn gas line to "CLOSED". Wait 5 minutes to clear out any gas. Then smell for gas, including near the floor. If you smell gas, STOP! Follow "B" in the safety information above on this label. If you don't smell gas, go to the next step.
4. Turn gas line to "OPEN".
5. Turn pilot knob clockwise to "OFF". Knob may have to be depressed to pass the "PILOT" position.
6. Locate pilot assembly inside the appliance.
7. Locate red ignitor button.
8. Turn pilot knob to "PILOT" and push in.
9. Continue to hold in pilot knob and push the red ignitor button 12-15 times until small blue pilot flame appears.
10. Continue to hold in pilot knob for approximately 1 minute. Pilot should remain lit. If pilot goes out, wait 5 minutes and repeat Steps 4-9.
11. To light the main burner, release and turn the knob counterclockwise to "ON". If the appliance is connected to a wall switch, turn it to "ON". Do not light by hand.
12. If the appliance will not operate, follow the instructions "To Turn Off Gas To Appliance" and call your service technician or gas supplier.



TO TURN OFF GAS TO APPLIANCE

1. Turn off the wall switch or set thermostat to lowest setting.
2. Open control access panel.
3. Turn gas line to CLOSED position. Do not force.
4. Close control access panel.

The first name in fireplaces

K. SEASONAL CHECKLIST

WARNING!

Children and adults should be alerted to the hazards of high surface temperatures and should stay away to avoid burns or clothing ignition. Young children should be carefully supervised when they are in the same room as the appliance.

CAUTION:

Any safety screen or guard removed for servicing a gas appliance must be replaced prior to operating the appliance.

Clothing or other flammable material should not be placed on or near the appliance.

WARNING!

Keep the area near the appliance clear and free from combustible materials, Gasoline and other flammable vapors and liquids.

Before operating this appliance, have a qualified technician:

1. Review proper placement of logs, rock wool and vermiculite.
2. Check wiring.
3. Check air shutter adjustment.
4. Ensure there are no gas leaks.
5. Ensure the glass is sealed and in proper position.
6. Ensure the flow of combustion and ventilation air is not obstructed.

Installation and repair should be done by a qualified service person. The appliance should be inspected before use and at least annually by a qualified service person. More frequent cleaning may be required due to excessive lint from carpeting, bedding material, etc. It is imperative that control compartments, burners and circulating air passageways of the appliance be kept clean.

1. STANDING PILOT OPERATION

Hearth & Home Technologies recommends you leave the pilot on year round.

- a. **Lighting the Appliance During Regular Use.** Turn the wall switch to "ON".
- b. **Shutdown During Regular Use.** Turn the wall switch to "OFF".
- c. To shut down the appliance for a long period of time
 - 1) Turn all wall switches to "OFF".
 - 2) Turn pilot knob on valve to "OFF".
 - 3) Turn the gas line to "CLOSED".
 - 4) To relight the pilot and appliance, see page 17.

2. ELECTRONIC IGNITION OPERATION

- a. **Lighting the Appliance during Regular Use**
Turn the wall switch to "ON".
- b. **Shutdown During Regular Use**
Turn the wall switch to "OFF".
- c. **Long Term Shutdown**
 - 1) Turn all wall switches to "OFF".
 - 2) Turn the gas line to "CLOSED".
 - 3) To relight the appliance, see page 16.