

INSTALLER: THESE INSTRUCTIONS MUST BE CONVEYED TO AND REMAIN WITH THE HOMEOWNER.

CERTIFIED UNDER CANADIAN AND AMERICAN NATIONAL STANDARDS,
CAN/CGA 2.22-M96 AND ANSI Z21.50-1998 RESPECTIVELY FOR GAS-FIRED VENTED DECORATIVE APPLIANCE.



FIREPLACES

GAS - INSERTS

INSTALLATION AND OPERATION INSTRUCTIONS FOR
GAS-FIRED VENTED DECORATIVE APPLIANCE

NATURAL GAS DECORATIVE APPLIANCE MODEL **GI 3600 - N**
PROPANE GAS DECORATIVE APPLIANCE MODEL **GI 3600 - P**

CERTIFIED FOR CANADA AND UNITED STATES USING ANSI / AGA / CGA METHODS

WARNING: Improper installation, adjustment, alteration, service or maintenance can cause injury or property damage. Refer to this manual. For assistance or additional information consult a qualified installer, service agency or the gas supplier.

FOR YOUR SAFETY

Do not store or use gasoline or other flammable vapours and liquids in the vicinity of this or any other appliance.

WHAT TO DO IF YOU SMELL GAS:

- Turn off main gas supply.
- Open windows.
- Do not try to light any appliance.
- Do not touch any electrical switch; Do not use any phone in your building.
- Extinguish any open flame.
- Immediately call your gas supplier from a neighbour's phone. Follow the gas supplier's instructions.
- If you cannot reach your gas supplier, call the fire department.

Wolf Steel Ltd., RR#1, 9 NAPOLEON RD.,
Barrie, ON., Canada L4M 4Y8 (705)721-1212

Fax: (705)722-6031 Email: ASK@NAPOLEON.ON.CA
Web: WWW.NAPOLEON.ON.CA



WS-415-61 / 09 19.97

NAPOLEON gas fireplaces are manufactured under the strict Standard of the world recognized ISO 9002 Quality Assurance Certificate.

NAPOLEON products are designed with superior components and materials, assembled by trained craftsmen who take great pride in their work. The burner and valve assembly are leak and test-fired at a quality test station. The complete fireplace is again test-fired and thoroughly inspected by a qualified technician before packaging to ensure that you, the customer, receives the quality product that you expect from NAPOLEON.

NAPOLEON GAS FIREPLACE PRESIDENT'S LIFETIME LIMITED WARRANTY

The following materials and workmanship in your new NAPOLEON gas fireplace are warranted against defects for as long as you own the fireplace. This covers: combustion chamber, heat exchanger, stainless steel burner, phazer™ logs and embers, ceramic glass (thermal breakage only), gold plated parts against tarnishing, porcelainized enamelled components and aluminum extrusion trims.

Electrical (110V and millivolt) components and wearable parts such as blowers, gas valves, thermal switch, switches, wiring, remote controls, ignitor, gasketing, and pilot assembly are covered and NAPOLEON will provide replacement parts free of charge during the first year of the limited warranty.

Labour related to warranty repair is covered free of charge during the first year. Repair work, however, requires the prior approval of an authorized company official. Labour costs to the account of NAPOLEON are based on a predetermined rate schedule and any repair work must be done through an authorized NAPOLEON dealer.

ALL SPECIFICATIONS AND DESIGNS ARE SUBJECT TO CHANGE WITHOUT PRIOR NOTICE DUE TO ON-GOING PRODUCT IMPROVEMENTS. NAPOLEON® IS A REGISTERED TRADEMARK OF WOLF STEEL LTD. PATENTS U.S. 5,303,693,601 - CAN. 2,073,411, 2,082,915. © WOLF STEEL LTD.

CONDITIONS AND LIMITATIONS

NAPOLEON warrants its products against manufacturing defects to the original purchaser only — i.e., the individual or legal entity (registered customer) whose name appears on the warranty registration card filed with NAPOLEON — provided that the purchase was made through an authorized NAPOLEON dealer and is subject to the following conditions and limitations:

This factory warranty is nontransferable and may not be extended whatsoever by any of our representatives.

The gas fireplace must be installed by a licensed, authorized service technician or contractor. Installation must be done in accordance with the installation instructions included with the product and all local and national building and fire codes.

This limited warranty does not cover damages caused by misuse, lack of maintenance, accident, alterations, abuse or neglect and parts installed from other manufacturers will nullify this warranty.

This limited warranty further does not cover any scratches, dents, corrosion or discolouring caused by excessive heat, abrasive and chemical cleaners nor chipping on porcelain enamel parts, mechanical breakage of PHAZER™ logs and embers, nor any venting components used in the installation of the fireplace.

NAPOLEON warrants its stainless steel burners against defects in workmanship and material for life, subject to the following conditions: During the first 10 years NAPOLEON will replace or repair the defective parts at our option free of charge. From 10 years to life, NAPOLEON will provide replacement burners at 60% of the current retail price.

In the first year only, this warranty extends to the repair or replacement of warranted parts which are defective in material or workmanship provided that the product has been operated in accordance with the operation instructions and under normal conditions.

After the first year, with respect to this President's Limited Lifetime Warranty, NAPOLEON may, at its discretion, fully discharge all obligations with respect to this warranty by refunding to the original warranted purchaser the wholesale price of any warranted but defective part(s).

After the first year, NAPOLEON will not be responsible for installation, labour or any other costs or expenses related to the installation of a warranted part, and such expenses are not covered by this warranty.

Notwithstanding any provisions contained in this President's Limited Lifetime Warranty, NAPOLEON'S responsibility under this warranty is defined as above and it shall not in any event extend to any incidental, consequential or indirect damages.

This warranty defines the obligations and liability of NAPOLEON with respect to the NAPOLEON gas fireplace and any other warranties expressed or implied with respect to this product, its components or accessories are excluded.

NAPOLEON neither assumes, nor authorizes any third party to assume, on its behalf, any other liabilities with respect to the sale of this product. NAPOLEON will not be responsible for: over-firing, downdrafts, spillage caused by environmental conditions such as rooftops, buildings, nearby trees, hills, mountains, inadequate vents or ventilation, excessive venting configurations, insufficient makeup air, or negative air pressures which may or may not be caused by mechanical systems such as exhaust fans, furnaces, clothes dryers, etc.

Any damages to fireplace, combustion chamber, heat exchanger, brass trim or other component due to water, weather damage, long periods of dampness, condensation, damaging chemicals or cleaners will not be the responsibility of NAPOLEON.

The bill of sale or copy will be required together with a serial number and a model number when making any warranty claims from your authorized dealer. The warranty registration card must be returned within fourteen days to register the warranty.

NAPOLEON reserves the right to have its representative inspect any product or part thereof prior to honouring any warranty claim.

TABLE OF CONTENTS



PLEASE RETAIN THIS MANUAL FOR FUTURE REFERENCE

TABLE of CONTENTS

<p>PG 2-4 INTRODUCTION Warranty General Instructions General Information Care of Glass, & Plated Parts</p> <p>5-6 INSTALLATION Installation</p> <p>6-7 FINISHING Brick panels Log Placement/Charcoal Embers Louvre Installation</p> <p>7 OPERATION / MAINTENANCE Spill Switch Venting Action Check</p>	<p>PG 8 OPERATION / MAINTENANCE <small>cont'd</small> Operating Instructions Maintenance</p> <p>9 BLOWER SYSTEM Blower Replacement Instructions</p> <p>9 ADJUSTMENTS Pilot Burner Adjustment Venturi Adjustments</p> <p>10-11 REPLACEMENTS Ordering Replacement Parts Replacement Parts Accessories / Options</p> <p>12-13 TROUBLE SHOOTING GUIDE</p>
--	--

GENERAL INSTRUCTIONS

THIS GAS FIREPLACE SHOULD BE INSTALLED AND SERVICED BY A QUALIFIED INSTALLER to conform with local codes. In absence of local codes, install to the current National Fuel Gas Code, ANSI Z223.1, or the current CAN/CGA B149, Installation Codes.

PURGE ALL GAS LINES WITH THE GLASS DOOR OF THE STOVE REMOVED. ASSURE THAT A CONTINUOUS GAS FLOW IS AT THE BURNER BEFORE INSTALLING THE DOOR.

UNDER EXTREME VENT CONFIGURATIONS, ALLOW SEVERAL MINUTES (5-15) FOR THE FLAME TO STABILIZE AFTER IGNITION.

ALTITUDES GREATER THAN 4000FT. REQUIRE A MINIMUM VENT RUN OF 12FT.

The fireplace and its individual shutoff valve must be disconnected from the gas supply piping system during any pressure testing of that system at test pressures in excess of 1/2 psig (3.5 kPa). The fireplace must be isolated from the gas supply piping system by closing its individual manual shutoff valve during any pressure testing of the gas supply piping system at test pressures equal to or less than 1/2 psig (3.5 kPa).

A 1/8 inch NPT plug, accessible for test gauge connection, must be installed immediately upstream of the gas supply connection to the stove.

This fireplace must be connected to any accepted lined chimney system listed to ULC-S635M (in Canada) or UL-1777 (in USA). The venting connection must be in compliance with the vent manufacturers installation instructions.

The draft hood must be installed so it is in the same atmospheric pressure zone as the combustion air inlet to the fireplace.

Provide adequate ventilation and combustion air. Provide adequate accessibility clearance for servicing and operating the fireplace. Never obstruct the front opening of the fireplace.

This insert must be recessed into a vented noncombustible woodburning fireplace only. The minimum fireplace size in which the heater is to be installed is: **HEIGHT 17½ inches WIDTH 25½ INCHES DEPTH 16½ inches**

The minimum distance, from the bottom of a combustible mantle projecting 6" maximum from the wall to the top of the unit, is 8".

The fireplace, when installed, must be electrically connected and grounded in accordance with local codes. In the absence of local codes, use the current CSA C22.1 CANADIAN ELECTRICAL CODE in Canada or the ANSI/NFPA 70-1990 NATIONAL ELECTRICAL CODE in the United States. The blower power cord must be connected into a properly grounded receptacle. The grounding prong must not be removed from the cord plug.

WARNING

- Do not burn wood or other materials in this fireplace.
- Adults and especially children should be alerted to the hazards of high surface temperatures and should stay away to avoid burns or clothing ignition. Supervise young children when they are in the same room as the fireplace.
- Due to high temperatures, the fireplace should be located out of traffic and away from furniture and draperies.
- Clothing or other flammable material should not be placed on or near the fireplace.
- Any safety screen or guard removed for servicing must be replaced prior to operating the fireplace.
- It is imperative that the control compartments, burners and circulating blower and its passageway in the fireplace and venting system are kept clean. The fireplace and its venting system should be inspected before use and at least annually by a qualified service person. More frequent cleaning may be required due to excessive lint from carpeting, bedding material, etc. The fireplace area must be kept clear and free from combustible materials, gasoline and other flammable vapours and liquids.
- Under no circumstances should this fireplace be modified.
- This fireplace must not be connected to a chimney flue pipe serving a separate solid fuel burning appliance.
- Do not use this fireplace if any part has been under water. Immediately call a qualified service technician to inspect the fireplace and to replace any part of the control system and any gas control which has been under water.
- Do not operate the fireplace with the glass door removed, cracked or broken. Replacement of the glass should be done by a licensed or qualified service person.
- Do not strike or slam shut the fireplace glass door.

GENERAL INFORMATION

FOR YOUR SATISFACTION, THIS FIREPLACE HAS BEEN TEST-FIRED TO ASSURE ITS OPERATION AND QUALITY! Maximum input is 24,000 BTU/hr for natural gas and 22,000 BTU/hr for propane. When the fireplace is installed at elevations above 4,500ft, and in the absence of specific recommendations from the local authority having jurisdiction, the certified high altitude input rating shall be reduced at the rate of 4% for each additional 1,000ft. Maximum output for natural gas is 15,900 BTU/hr and 16,000 BTU/hr for propane. Where the fireplace has been factory equipped for hi-altitude using natural gas, the input has been downrated by 10%. Hi-altitude downrating for propane is not necessary. Minimum inlet gas supply pressure is 4.5 inches water column for natural gas and 11 inches water column for propane. This fireplace is certified for bedroom and bedsitting room installation. Maximum inlet gas pressure is 7 inches water column for natural gas and 13 inches water column for propane. Manifold pressure under flow conditions is 3.5 inches water column and 10 inches water column for propane.

NO EXTERNAL ELECTRICITY (110 VOLTS OR 24 VOLTS) IS REQUIRED FOR THE GAS SYSTEM OPERATION.

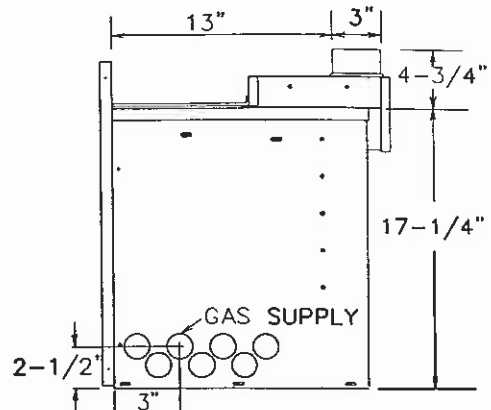
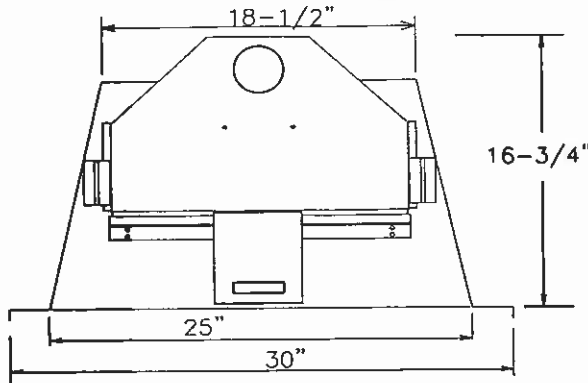
Expansion / contraction noises during heating up and cooling down cycles are normal and to be expected. Change in flame appearance from "HI" to "LO" is more evident in natural gas than in propane.

CARE OF GLASS, AND PLATED PARTS

Do not use abrasive cleaners to clean plated parts. Buff lightly with a clean dry cloth. The glass is 3/16" ceramic glass available from your Napoleon / Wolf Steel Ltd. dealer. **DO NOT SUBSTITUTE MATERIALS.** Clean the glass after the first 10 hours of operation with a non-abrasive, ammonia or vinegar-based glass cleaner. Thereafter clean as required. **DO NOT CLEAN GLASS WHEN HOT!** If the glass is not kept clean permanent discolouration and / or blemishes may result.

INSTALLATION

FIGURE 1



Clean out ashes from the inside of the woodburning fireplace. Make sure that the chimney and woodburning fireplace are in a clean and sound condition. Do not remove bricks or mortar from the masonry fireplace. If necessary have any repair work done by a qualified person before installing the insert.

Remove the existing fireplace damper or lock into an open position. Line the chimney with a 3" or 4" diameter approved liner. With a 4" liner, an increaser must be connected between the dilution draft hood and the liner. Chimney installation must conform to both national and local code requirements. The liner must be continuous from the fireplace to the chimney cap.

Remove the securing screw from the front of the dilution plate. **FIGURE 2.** Push the dilution draft hood out of the securing clips and attach the liner using 3 screws equally spaced. Move the insert into the centre of the woodburning fireplace making sure that the dilution draft hood inserts back into its securing clips. Level using the four leveling screws located front and back on either side of the fireplace base. Leveling the insert will eliminate rocking or excessive noise when the fan is in operation. Replace the securing screw to the front of the dilution plate.

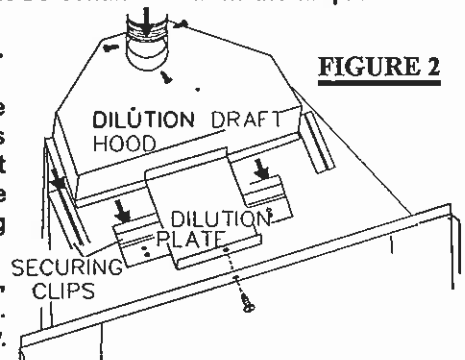


FIGURE 2

Install rigid black pipe, a flex connector, *if local codes permit*, or 1/2" type L copper tubing with a 3/8" to 1/2" adapter and a shut off valve to the fireplace.

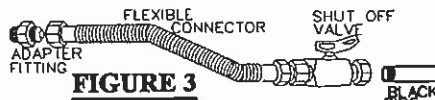


FIGURE 3

FIGURE 3. Seal and tighten securely.

The adapter will be required between the gas valve and the copper tubing or flex connector. **DO NOT FLEX CONNECTOR!** Check for gas leaks by brushing on a soap and water solution. **DO NOT USE OPEN FLAME!** An on/off switch has been included and can be located at

the right side trim. **FIGURE 5.** For ease of accessibility, this switch may be replaced with a wall switch or substituted with a millivolt thermostat that may be installed in a convenient location on any wall. Route single strand millivolt wire through the electrical hole located at the bottom right side of the unit. The recommended maximum lead length depends on wire size:

WIRE SIZE	MAX. LENGTH
14gauge	50 feet
16gauge	34 feet
18gauge	20 feet

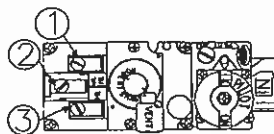


FIGURE 4

Attach the two leads to terminals 1 and 3 located on the gas valve. **FIGURE 4.** **DO NOT CONNECT THE GAS VALVE TO ELECTRICITY (110 VOLTS OR 24 VOLTS).**

The insert can be equipped with a flashing kit, **FIGURE 5**, to close off most fireplace openings. Mount the flashing inside the unit's outer shell using 4 securing screws. The flashing and trim are available in many finishes to accent any room decor. Objects placed in front of the fireplace should be kept a minimum of 24" away from the front face.

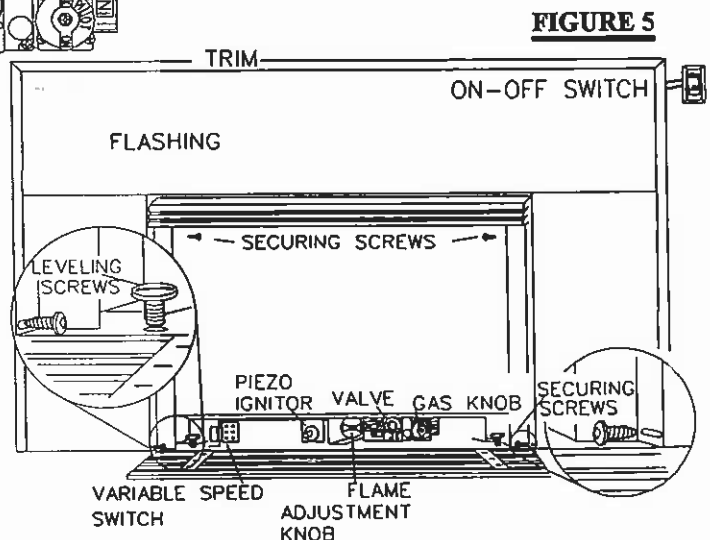


FIGURE 5

6 FINISHING

FIBRE FIREBRICK PANELS

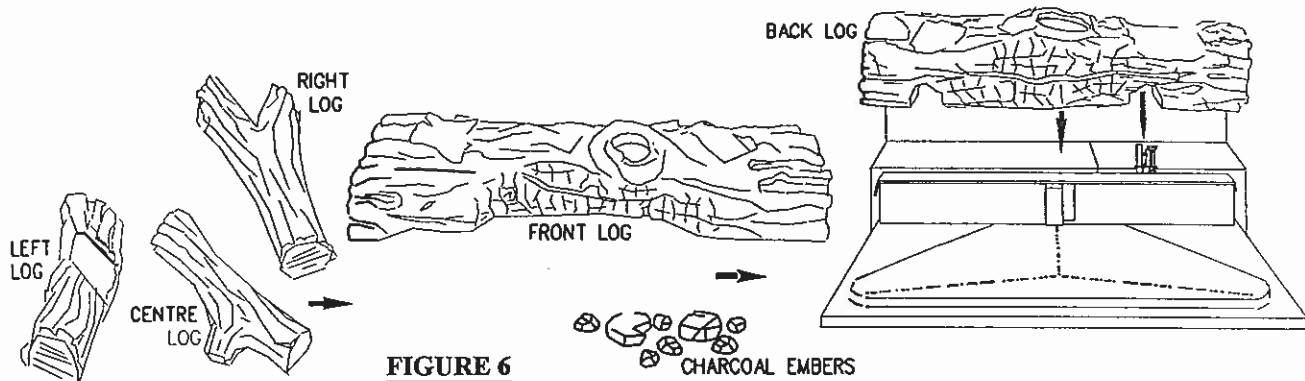
To give your insert that authentic masonry fireplace look, optional fibre firebrick panels are available at your Napoleon / Wolf Steel Ltd. dealer. Complete installation and maintenance instructions are included with the kit.

LOG PLACEMENT INSTRUCTIONS / CHARCOAL EMBERS

PHAZER™ logs and charcoal embers, exclusive to Napoleon Fireplaces, provide a unique and realistic glowing effect that is different in every installation. Take the time to carefully position the charcoal embers for a maximum glowing effect.

POSITIONING THE LOGS IMPROPERLY WILL CAUSE FLAME IMPINGEMENT AND CARBONING.

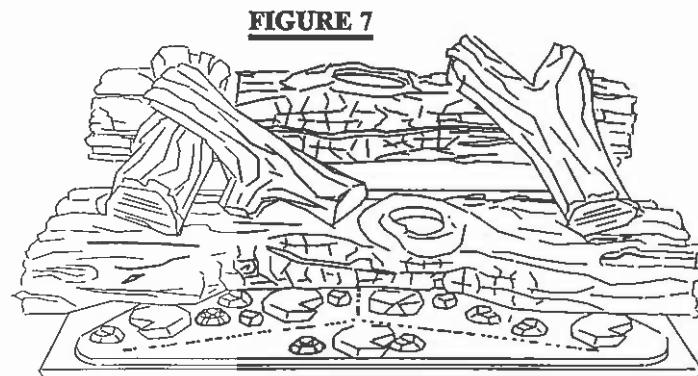
1. Place the front log onto the main burner, pushing it as close as possible to the burner ports without blocking/covering them. The left and right spacing between the log ends and the burner ports should be equal. **YOU MAY FIND IT EASIER TO PLACE SOME CHARCOAL EMBERS BENEATH THE FRONT LOG NOW.**
2. Place the back log onto the step located at the back of the combustion chamber. The notch situated at the lower right of the back log should be centered evenly above the pilot assembly. **FIGURE 6.**
3. While supporting the back log, to prevent it from falling forward, set the three smaller logs into the pockets and grooves of the front and back logs, respectively.



Log colours may vary. During the initial use of the fireplace, the colours will become more uniform as colour pigments burn in during the heat activated curing process.

CHARCOAL EMBERS: Randomly place the embers beneath the front log, covering all of the burner area beneath the hollowed out section of the log. **FIGURE 7.** Place the remaining embers along the front. Keep ember dust away from burner ports to avoid plugging them.

Fine dust found in bottom of bag not to be used. **PHAZER™** logs and charcoal embers glow when exposed to direct flame. Use only certified **PHAZER™** logs and charcoal embers available from your Napoleon / Wolf Steel Ltd. dealer.



LOUVRE INSTALLATION

In order to access the interior of the firebox, remove two screws holding the upper glass bracket cover, and the upper glass bracket in place and the two screws holding the lower glass bracket. The louvre assemblies are installed as illustrated in FIGURE 8. The upper glass bracket cover is formed with tabs to create a gap for air flow and must not be adjusted.

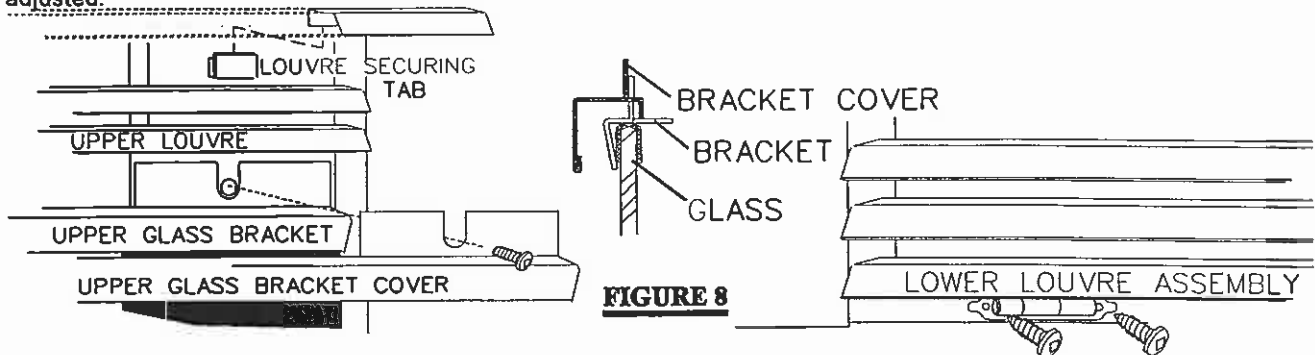


FIGURE 8

IF APPLICABLE, REMOVE THE PROTECTIVE PLASTIC WRAP PRIOR TO OPERATING THE FIREPLACE.

OPERATING INSTRUCTIONS

SPILL SWITCH

This is a thermally activated switch, attached to the back of the unit and extending up into the dilution draft hood, which senses the change in temperature and shuts down the gas valve in the event of a severe downdraft of air or a blocked or disconnected vent.

It acts as a safety shut-off to prevent a build up of carbon monoxide or an explosion of unburnt gases during start up. If the flue is blocked or has no "draw", the spill switch will automatically shut off the supply of gas within about 5-10 minutes.

TAMPERING WITH THE SWITCH CAN RESULT IN CARBON MONOXIDE (CO) POISONING AND POSSIBLE DEATH.

VENTING ACTION CHECK

A CHECK FOR CORRECT VENTING ACTION MUST BE MADE BEFORE THE INSTALLED INSERT IS LEFT WITH THE CUSTOMER.

Test after installing the unit into a vented non-combustible fireplace in the following manner:

1. Close all doors and windows in the room; start exhaust fans in the home; turn fireplace blower off.
2. Set controls to "high" and light the unit.
3. Wait 5 minutes. Light a match and hold it to the spill tube opening.
4. Venting action is satisfactory if smoke is drawn into the spill tube. Venting action is unsatisfactory if the flame and smoke are not drawn into the tube.
5. If venting action is unsatisfactory, turn the unit off, wait 10 minutes and try again. If the smoke or flame is still not drawn into the spill tube, turn the unit off and check for vent blockage or restriction. If necessary, consult with a qualified inspector.

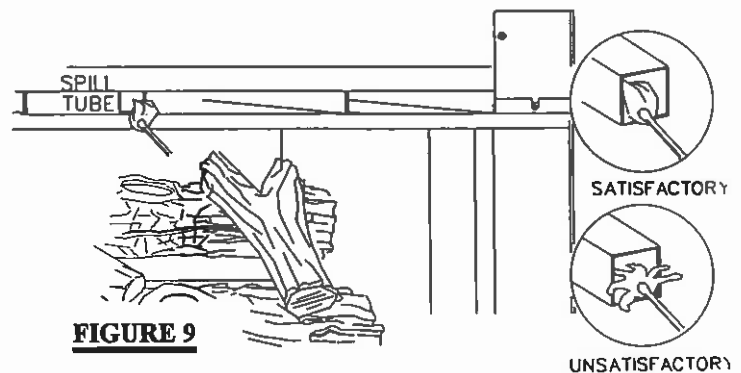


FIGURE 9

8 When lit for the first time, the fireplace will emit a slight odour for a few hours. This is a normal temporary condition caused by the curing of the logs and the "burn-in" of internal paints and lubricants used in the manufacturing process and will not occur again. Simply open a window to sufficiently ventilate the room. After extended periods of non-operation such as following a vacation or a warm weather season, the fireplace may emit a slight odour for a few hours. This is caused by dust particles in the heat exchanger burning off. Open a window to sufficiently ventilate the room.



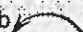

FOR YOUR SAFETY READ BEFORE LIGHTING:

- A This fireplace has a pilot which must be lit by hand while following these instructions exactly.
- B Before lighting, smell all around the fireplace area for gas and next to the floor because some gas is heavier than air and will settle on the floor.
- C Use only your hand to push in or turn the gas control knob. Never use tools. If the knob will not push in or turn by hand, do not try to repair it. Call a qualified service technician. Force or attempted repair may result in a fire or explosion.
- D Do not use this fireplace if any part has been under water. Immediately call a qualified service technician to inspect the unit and replace any part of the control system and any gas control touched by water.


WHAT TO DO IF YOU SMELL GAS:

- Do not try to light any appliance.
- Do not touch any electrical switch, do not use any phone in your building.
- Immediately call your gas supplier from a neighbour's phone. Follow the gas supplier's instructions.
- If you cannot reach your gas supplier, call the fire department.

LIGHTING INSTRUCTIONS:

1. Stop! Read all the safety information above. When lighting and re-lighting, the gas knob cannot be turned from "pilot" to "off" unless the knob is depressed.
2. Turn off all electrical power to the stove.
3. Turn the gas knob  clockwise to off.
4. Wait 5 minutes for any gas in the combustion chamber to escape. Continue to the next step if you do NOT smell any gas. If you smell gas, STOP! and follow the instructions in "What to do if You Smell Gas" listed above.
5. If the unit is equipped with a flame adjustment valve, turn  clockwise to off.
6. Locate the pilot situated in front of the rear log.
7. Turn the gas knob  counter-clockwise to "pilot" position.
8. Depress and hold the gas knob while lighting the pilot with the push button ignitor. Keep the knob fully depressed for one (1) minute, then release. If the pilot does not continue to burn, repeat steps 3 through 7.
9. With the pilot lit, turn the gas knob counter-clockwise  to "on" position.
10. If your insert is equipped with a flame adjustment valve, push and turn the knob to "high".
11. If your insert is equipped with a remote "on-off" switch, the main burner may not come on when you turn the gas valve to "on" or "high". The remote switch must be in the "on" position as well to ignite the main burner.
12. Turn on all electrical power to the insert.

INSTRUCTIONS TO TURN OFF GAS:

1. Turn off all electrical power to the unit if service is to be performed.
2. Push in gas control knob slightly and turn clockwise to off.  DO NOT FORCE.



MAINTENANCE TURN OFF THE GAS AND ELECTRICAL POWER BEFORE SERVICING THE FIREPLACE.

CAUTION: Label all wires prior to disconnection when servicing controls. Wiring errors can cause improper and dangerous operation. Verify proper operation after servicing. This insert and its venting system should be inspected before use and at least annually by a qualified service person. The fireplace area must be kept clear and free of combustible materials, gasoline or other flammable vapours and liquids. The flow of combustion and ventilation air must not be obstructed.

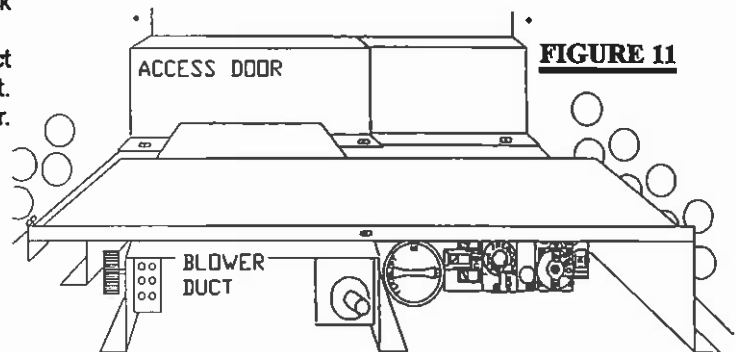
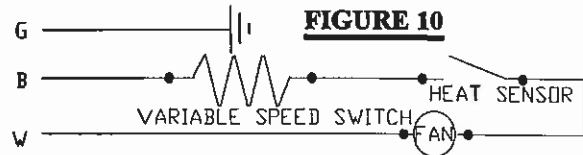
1. In order to properly clean the burner and pilot assembly, remove the logs to expose both assemblies.
2. Keep the control compartment, logs, burner, air shutter opening and the area surrounding the logs clean by vacuuming or brushing, *at least once a year*.
3. Check to see that all burner ports are burning. Clean out any of the ports which may not be burning or are not burning properly.
4. Check to see that the pilot flame is large enough to engulf the thermopile on one leg and reaches toward the burner on the other leg.
5. Replace the cleaned logs.
6. Check to see that the main burner ignites completely on all openings when the gas knob for the burner is turned on. A 5 to 10 second total light-up period is satisfactory. If ignition takes longer, consult your Napoleon dealer / distributor.
7. Check that the door gasketing is not broken or missing. Replace if necessary.

BLOWER SYSTEM

The Napoleon gas fireplace insert comes standard with a blower, a heat sensor, variable on/off speed control and a power cord. Because the blower is thermally activated, when turned on, it will automatically start approximately 15 minutes after lighting the fireplace and will run for approximately 30 minutes after the fireplace has been turned off. Use of the fan increases the output of heat. Air, drawn in through the lower louver access door, is driven up the back of the firebox, and exhausted as hot air between the upper louvres.

BLOWER REPLACEMENT INSTRUCTIONS FIGURE 10:

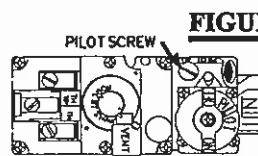
- Turn off the gas and electric power to the unit.
- Remove the upper glass bracket. Loosen the lower glass bracket and remove the glass.
- Remove the logs.
- Remove the burner assembly.
- Remove the six screws holding the access door in place on the control assembly (located to the left back of the burner support). **FIGURE 11**.
- Remove the four screws holding the blower duct and slide it forward from beneath the burner support.
- Disconnect the electrical connectors at the blower.
- Remove the blower.



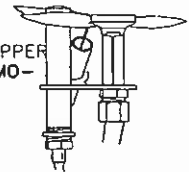
ADJUSTMENTS

PILOT BURNER ADJUSTMENT

1. Remove the pilot adjustment cap.
2. Adjust the pilot screw to provide properly sized flame. **FIGURE 12**.
3. Replace the adjustment cap.

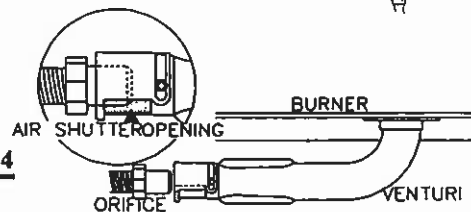


FLAME MUST ENVELOP UPPER
3/8" TO 1/2" OF THERMO-
PILE



VENTURI ADJUSTMENT

Natural gas models have air shutters set at 1/16 (.063") inch open. Propane gas models have air shutters set at 3/16 (.188) inch open. Closing the air shutter will cause a more yellow flame, but can lead to carboning. Opening the air shutter will cause a more blue flame, but can cause flame lifting from the burner ports. The flame may not appear yellow immediately; allow 15 to 30 minutes for the final flame colour to be established. **FIGURE 14**.



AIR SHUTTER ADJUSTMENT MUST ONLY BE DONE BY A QUALIFIED GAS INSTALLER!

REPLACEMENTS

ORDERING REPLACEMENT PARTS

Contact your dealer or the factory for questions concerning prices and policies on replacement parts. Normally all parts can be ordered through your Napoleon dealer or distributor. When ordering replacement parts always give the following information:

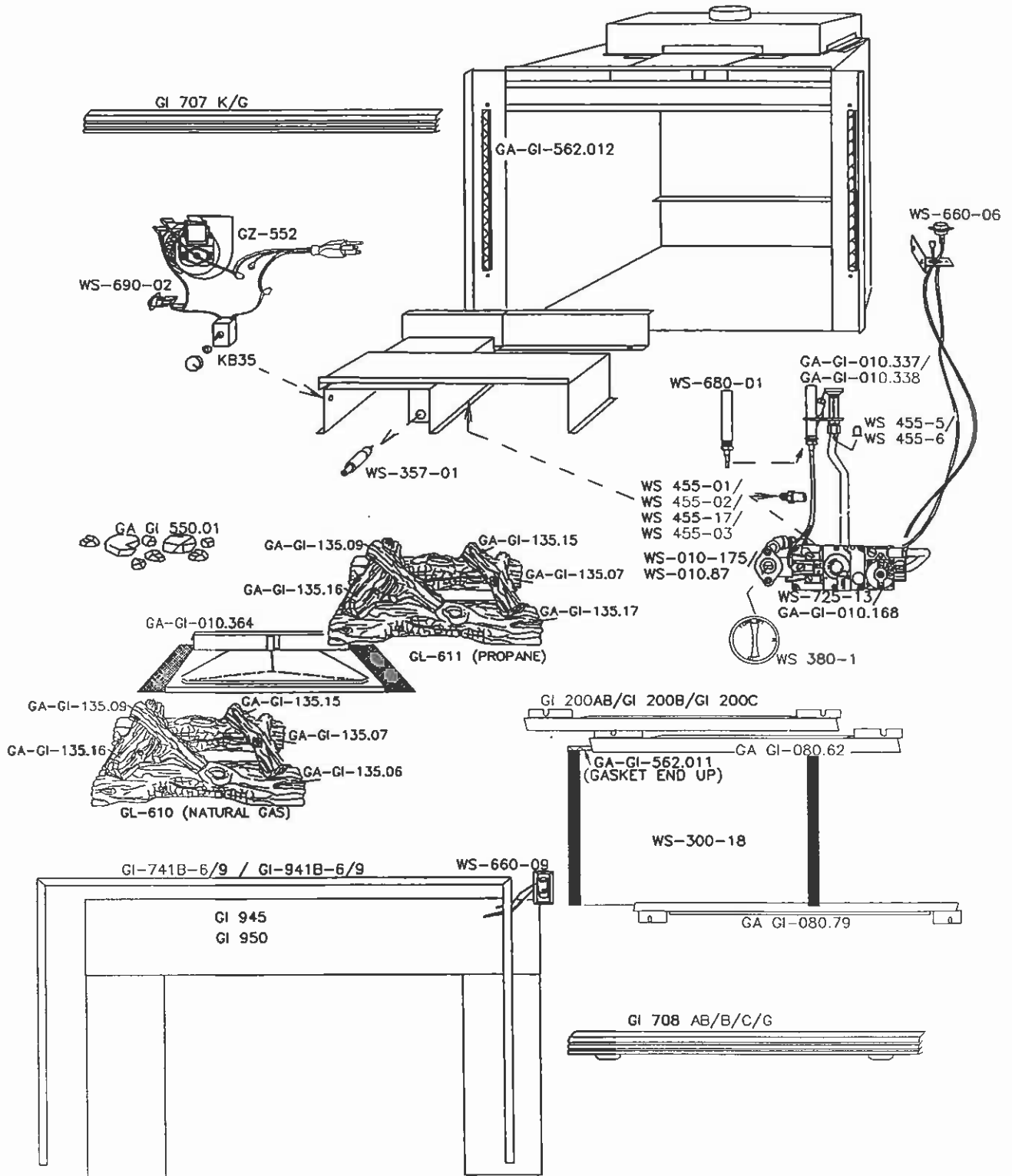
1. MODEL & SERIAL NUMBER OF FIREPLACE
2. INSTALLATION DATE OF FIREPLACE
3. PART NUMBER
4. DESCRIPTION OF PART
5. FINISH

REPLACEMENT PARTS

PART #	DESCRIPTION	PART #	DESCRIPTION
GA GI 135.07	BACK LOG	WS-725-13	NATURAL GAS VALVE - REMOTE RBT SHAW
GA GI 135.06	FRONT LOG NATURAL GAS ONLY	GA-GI-010.168	PROPANE GAS VALVE - REMOTE RBT SHAW
GA-GI-135.17	FRONT LOG PROPANE GAS ONLY	WS-010-175	PROPANE GAS HI-LO VALVE
GA GI 135.15	RIGHT LOG	WS-010-87	NATURAL GAS HI-LO VALVE
GA GI 135.16	LEFT LOG	WS-380-1	FLAME ADJUSTMENT VALVE KNOB
GA GI 135.09	CENTER LOG	GA-GI-010.337	NATURAL GAS PILOT ASSEMBLY
GL-610	LOG SET ASSEMBLY C/W CHARCOAL EMBERS NATURAL GAS ONLY	GA-GI-010.338	PROPANE GAS PILOT ASSEMBLY
GL-611	LOG SET ASSEMBLY C/W CHARCOAL EMBERS PROPANE GAS ONLY	GA GI-010.364	BURNER ASSEMBLY
WS-300-18	DOOR GLASS	WS-455-5	#18 NATURAL GAS PILOT ORIFICE
GA-GI-562.012	GLASS GASKET (2 PC - SIDE)	WS-455-6	#10 PROPANE GAS PILOT ORIFICE
GA-GI-562.011	GLASS GASKET (TOP)	WS-357-1	PIEZO IGNITER - CHANNEL
GA GI-550.01	CHARCOAL EMBERS	WS-680-01	THERMOPILE
WS-455-01	#43 DMS NATURAL GAS BURNER ORIFICE-HIGH ALT	WS-690-02	THERMAL SENSING SWITCH
WS-455-02	#55 DMS PROPANE GAS BURNER ORIFICE-HIGH ALT	GZ-552	REPLACEMENT BLOWER
WS-455-17	#42 DMS NATURAL GAS BURNER ORIFICE	KB35	VARIABLE SPEED SWITCH C/W KNOB
WS-455-03	#54 DMS PROPANE GAS BURNER ORIFICE	GI 945AB-6	ANTIQUE BRASS FLASHINGS - 6"
GI 200B	UPPER GLASS BRACKET COVER - POLISHED BRASS	GI 945B-6	POLISHED BRASS FLASHINGS - 6"
GI 200AB	UPPER GLASS BRACKET COVER - ANTIQUE BRASS	GI 945C-6	CHROME FLASHINGS - 6"
GI 200C	UPPER GLASS BRACKET COVER - CHROME	GI 945K-6	BLACK FLASHINGS - 6"
GA-GI-080.62	UPPER GLASS BRACKET	GI 950S-6	ALMOND ENAMEL FLASHINGS - 6"
GA-GI-080.79	LOWER GLASS BRACKET	GI 950B-6	BLUE ENAMEL FLASHINGS - 6"
GI 707K	UPPER LOUVRE ASS'Y - BLACK	GI 950K-6	BLACK ENAMEL FLASHINGS - 6"
GI 707G	UPPER LOUVRE ASS'Y- 24K GOLD PLATE	GI 950F-6	GREEN ENAMEL FLASHINGS - 6"
GI 708PB	LOWER LOUVRE ASS'Y - POLISHED BRASS	GI 945AB-9	ANTIQUE BRASS FLASHINGS - 9"
GI 708AB	LOWER LOUVRE ASS'Y-ANTIQU BRASS	GI 945B-9	POLISHED BRASS FLASHINGS - 9"
GI 708C	LOWER LOUVRE ASS'Y - CHROME	GI 945C-9	CHROME FLASHINGS - 9"
GI 708G	LOWER LOUVRE ASS'Y - 24K GOLD PLATE	GI 945K-9	BLACK FLASHINGS - 9"
GI 941K9	TRIM KIT 1" - BLACK FOR 9" FLASHINGS	GI 950S-9	ALMOND ENAMEL FLASHINGS - 9"
GI 941K6	TRIM KIT 1" - BLACK FOR 6" FLASHINGS	GI 950B-9	BLUE ENAMEL FLASHINGS - 9"
GI 941B9	"MARQUIS" TRIM KIT - SATIN BRASS FOR 9" FLASHINGS	GI 950K-9	BLACK ENAMEL FLASHINGS - 9"
GI 941B6	"MARQUIS" TRIM KIT - SATIN BRASS FOR 6" FLASHINGS	GI 950F-9	GREEN ENAMEL FLASHINGS - 9"
WS-385-33	NAPOLEON LOGO	WS-660-09	BURNER ON/OFF SWITCH
WS-660-06	SPILL SWITCH		

ACCESSORIES / OPTIONS

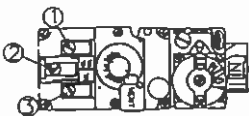
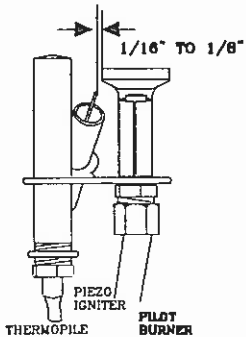
PART #	DESCRIPTION	PART #	DESCRIPTION
GI 709G	GOLD PLATED LOUVRES UPPER & LOWER	GI-777KT	DECORATIVE BRICK PANELS
GI 940B-6	6" FLASHING KIT - POLISHED BRASS	GI 940B-9	9" FLASHING KIT - POLISHED BRASS
GI 940AB-6	6" FLASHING KIT - ANTIQUE BRASS	GI 940AB-9	9" FLASHING KIT - ANTIQUE BRASS
GI 940K-6	6" FLASHING KIT - BLACK	GI 940K-9	9" FLASHING KIT - BLACK
GI 940C-6	6" FLASHING KIT - CHROME	GI 940C-9	9" FLASHING KIT - CHROME
GI 960S-6	6" PORCELAIN FLASHING KIT - ALMOND	GI 960S-9	9" PORCELAIN FLASHING KIT - ALMOND
GI 960B-6	6" PORCELAIN FLASHING KIT - BLUE	GI 960B-9	9" PORCELAIN FLASHING KIT - BLUE
GI 960K-6	6" PORCELAIN FLASHING KIT - BLACK	GI 960K-9	9" PORCELAIN FLASHING KIT - BLACK
GI 960F-6	6" PORCELAIN FLASHING KIT - GREEN	GI 960F-9	9" PORCELAIN FLASHING KIT - GREEN
WS-470-2	ENAMEL TOUCH UP AND BRUSH (SPECIFY COLOUR)	WS 690-1	MILLIVOLT THERMOSTAT
WS 660-2	HANDHELD REMOTE CONTROL	GD 660	WALL SWITCH & 20FT WIRE
WS 500-33	V.S.S. MOUNTING PLATE FOR WALL SWITCH		



12 TROUBLE SHOOTING GUIDE

BEFORE ATTEMPTING TO TROUBLESHOOT, PURGE YOUR UNIT AND INITIALLY LIGHT THE PILOT AND THE MAIN BURNER WITH THE GLASS DOOR REMOVED.

SYMPTOM	PROBLEM	TEST SOLUTION
Pilot goes out when the gas knob is released.	System is not correctly purged.	- purge the gas line.
	Out of propane gas.	- fill the tank.
	Pilot flame is not large enough	- turn up the pilot flame.
	Pilot flame is not engulfing the thermopile.	- gently twist the pilot head to improve the flame pattern around the thermopile.
	Thermopile shorting.	- clean thermopile and valve connection. - check that thermopile insulation is not frayed and grounding out on the housing or the burner support. - replace thermopile. - replace valve.
	Faulty thermopile.	- replace.
Pilot will not light.	Faulty valve.	- replace.
	No spark at pilot burner	- check that the wire is connected to the push button ignitor. - check if the push button ignitor needs tightening. - replace pilot assembly if the wire insulation is broken or frayed. - replace pilot assembly if the ceramic insulator is cracked or broken. - replace the push button ignitor.
	Spark gap is incorrect	- spark gap should be 1/16" to 1/8" from the electrode tip and the pilot burner. Light the pilot with a match and adjust the electrode tip to the required spark gap and proper location.
	No gas at the pilot burner	- check that the manual valve is turned on. - check the pilot orifice for blockage. - replace the valve. - call the gas distributor.
	Out of propane gas	- fill the tank.
	Pilot goes out while standing; Main burner is in 'OFF' position.	Gas piping is undersized.
Pilot burning; no gas to main burner; gas knob is on; wall switch is on; heat/flame adjustment valve is on (if so equipped).	Wall switch is defective	- connect a jumper wire across the wall switch terminals; if the main burner lights, replace the wall switch.
	Wall switch wiring is defective.	- connect a jumper wire across terminals 1 and 3; if the main burner lights, check the wires for defects and/or replace wires.
	Main burner orifice is plugged.	- remove stoppage in orifice.
	Remote gas valve operator is defective.	- connect a jumper wire across terminals 1 and 3; if main burner does not light, replace gas valve.
Main burner flame is a blue, lazy, transparent flame.	Insufficient secondary air.	- increase fresh air supply (open door, window, add make-up air supply)
	Downdraft or blockage in chimney.	- remove blockage. - check that chimney is installed to building codes (3ft above highest roof line or 2ft higher than any portion of a building within a horizontal radius of 10ft of the chimney.)



SYMPTOM	PROBLEM	TEST SOLUTION
Main burner goes out; pilot goes out.	Refer to "Main burner goes out; pilot stays on"	
	Chimney down-drafting	- wait ten minutes. Shut off all exhaust fans in the house (ie: kitchen and bathrooms), furnace, and clothes dryer. Open windows and/or doors. Start fireplace and monitor its operation. Close doors and windows and start appliances as before; room is in negative pressure; increase fresh air supply.
	Chimney is blocked	- check for chimney blockage.
	Liner disconnected from insert.	- re-attach liner.
	Faulty spill switch.	- replace.
Main burner goes out; pilot stays on.	Pilot flame is not large enough or not engulfing the thermopile.	- turn on pilot flame. Gently twist the pilot head to improve the flame pattern around the thermopile.
	Thermopile shorting.	- clean thermopile and thermopile connection to valve.
Carbon is being deposited on glass, logs or combustion chamber surfaces.	Air shutter has become blocked	- ensure air shutter opening is free of lint or other obstructions.
	Flame is impinging on the logs or combustion chamber.	- check that the logs are correctly positioned. - open air shutter to increase the primary air. - check the input rate: check the manifold pressure and orifice size as specified by the rating plate values. - check that the door gasketing is not broken or missing and that the seal is tight. - check that both 4" and 7" vent liners are free of holes and well sealed at all joints. - check that minimum rise per foot has been adhered to for any horizontal venting.
Remote wall switch is in off position; main burner comes on when gas knob is turned to "ON" position.	Wall switch is mounted upside down.	- reverse.
	Remote wall switch is grounding.	- replace.
	Remote wall switch wire is grounding.	- check for ground (short); repair ground or replace wire.
	Faulty valve.	- replace.
Exhaust fumes smelled in room, headaches.	Fireplace is spilling.	- check for chimney blockage. - check that chimney is installed to building code. - room is in negative pressure; increase fresh air supply.
Carbon is being deposited on glass, logs or combustion chamber surfaces.	Flame is impinging on the logs or combustion chamber.	- check that the logs are correctly positioned. - open air shutter to increase the primary air. - check the input rate: check the manifold pressure and orifice size as specified by the rating plate values.
White / grey film forms.	Sulphur from fuel is being deposited on glass, logs or combustion chamber surfaces.	- clean the glass with a non-abrasive ammonia or vinegar based glass cleaner. DO NOT CLEAN GLASS WHEN HOT. If deposits are not cleaned off regularly, the glass may become permanently marked.

