



PRODUCT SPECIFICATIONS 400BWBA/400BWBA* RADIANT and 400BWBCA/400BWBCIA* CIRCULATING WOOD BURNING



400BWBA/400BWBA*

INTERIOR DIMENSIONS

Front opening width - 36"
Front opening height- 21-1/2"
Rear Wall Width - 20-3/8"
Hearth Depth - 17"

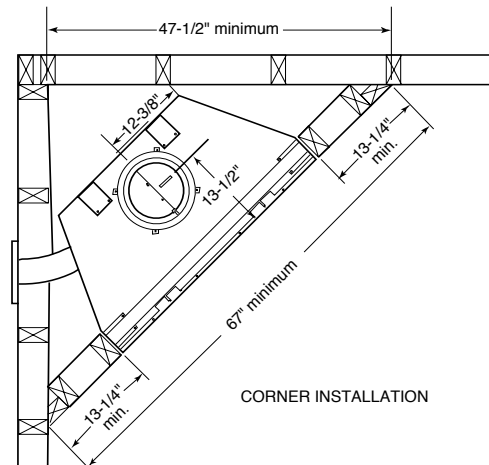
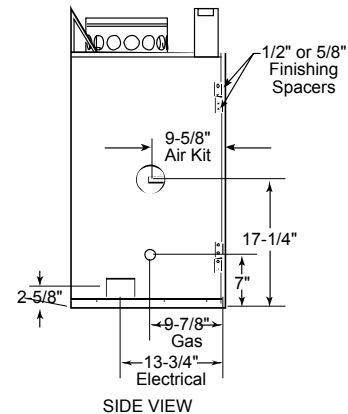
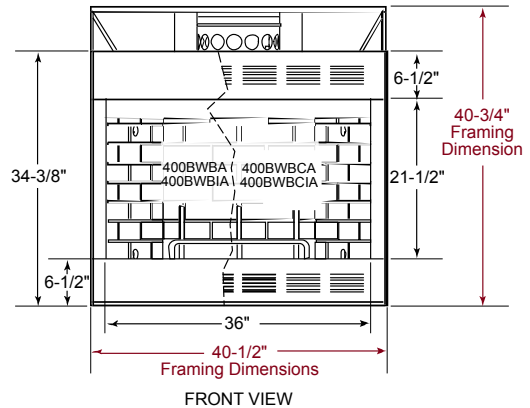
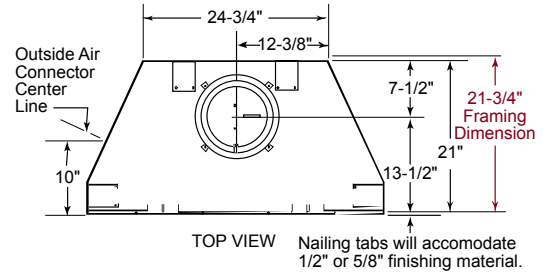
TECHNICAL INFORMATION

Flue Series (Std.) - "S" Double Wall
Flue Size - 8" Inner; 11" Outer
Clearance on Chimney Pipe - 2"
Firestop Framing** - 14-1/2" x 14-1/2"
Minimum Flue Height - 13'
Maximum Flue Height - 86'
Minimum Height with 2 Elbows - 13'
Minimum Height with 4 Elbows - 20'
Clearance on Fireplace - 3/4"
Minimum Hearth Size - 16" x 52"
UL Design Certified

** Clearance reduces to 1-3/4"

FIELD INSTALLED ACCESSORIES

Bi-fold Glass Doors - GD36PBA (polished brass finish), GD36BA (black), GD36SSA (stainless)
Fan Kit - FA2A
Outside Air Kit - AK4, FP4U, 403
Terminations (Std.) - "S" Series
SC, SCL, CF8, SQ8, LFSQT, SPC



* "I" indicates insulated model.

To avoid personal injury or property damage, the product described by this brochure must be installed, operated and maintained in strict compliance with the instructions packaged with the product and all applicable building or fire codes. Contact local building or fire officials about restrictions and installation inspection requirements. All photographs and drawings on this brochure are for illustrative purposes only and are not intended for, nor should they be used as a substitute for the instructions packaged with the unit. Appearance and specifications of the product are subject to change without notice. 6/05

**PRODUCT SPECIFICATIONS
500BWBA/500BWBA* RADIANT
and 500BWBCA/500BWBCIA*
CIRCULATING
WOOD BURNING**



500BWBA/500BWBA*

INTERIOR DIMENSIONS

Front opening width - 42"
Front opening height- 21-1/2"
Rear Wall Width - 26-3/8"
Hearth Depth - 17"

TECHNICAL INFORMATION

Flue Series(Std.) - "S" Double Wall
Flue Size - 8" Inner; 11" Outer
Clearance on Flue - 2"
Firestop Framing** - 14-1/2" x 14-1/2"
Minimum Flue Height - 13'
Maximum Flue Height - 86'
Minimum Height with 2 Elbows - 13'
Minimum Height with 4 Elbows - 20'
Clearance on Fireplace -3/4"
Minimum Hearth Size (D x L)- 20" x 66"
UL Design Certified - Report #MH7603

** Clearance reduces to 1-3/4"

FIELD INSTALLED ACCESSORIES

Bi-Fold Glass Doors - GD42PBA (polished brass finish), GD42BA (black), GD42SSA (stainless)
Fan Kit - FA2A
Outside Air Kit - AK4, FP4U, 403
Terminations(Std.) - "S" Series
SC, SCL, CF8, SQ8, LFSQT, SPC



* "I" indicates insulated model.

To avoid personal injury or property damage, the product described by this brochure must be installed, operated and maintained in strict compliance with the instructions packaged with the product and all applicable building or fire codes. Contact local building or fire officials about restrictions and installation inspection requirements. All photographs and drawings on this brochure are for illustrative purposes only and are not intended for, nor should they be used as a substitute for the instructions packaged with the unit. Appearance and specifications of the product are subject to change without notice. 6/05