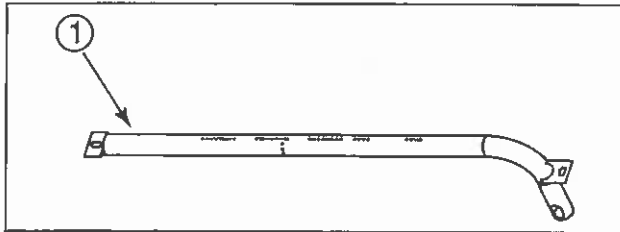
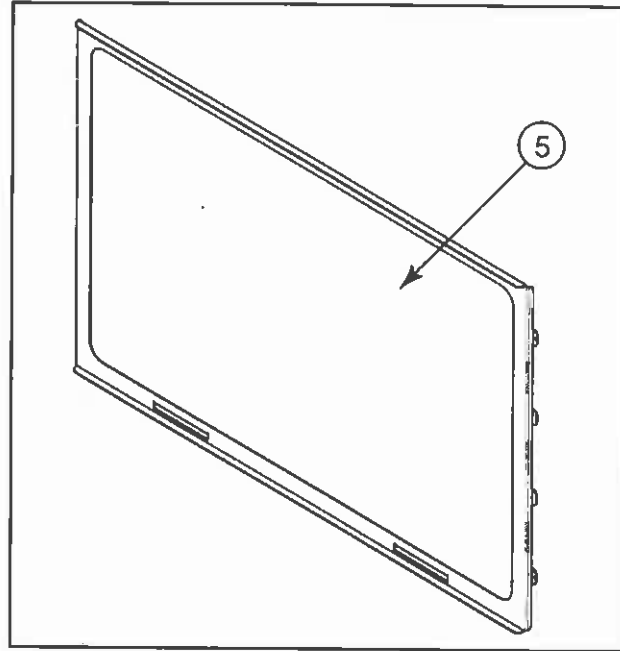


## O. REPLACEMENT PARTS

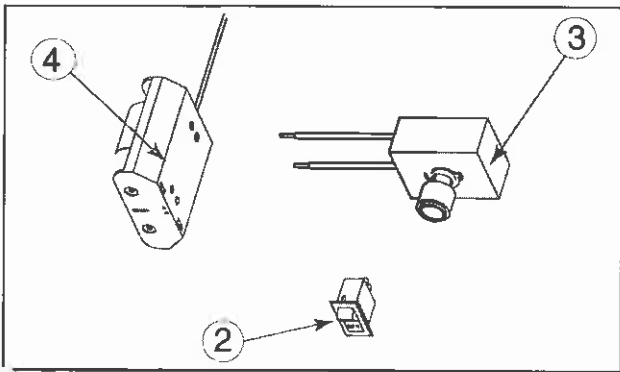
Replacement parts are available from your distributor/dealer.



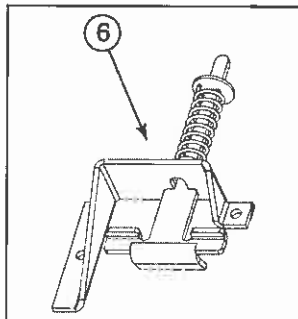
Rear Burner Assembly



Glass Assembly



Dashboard Components



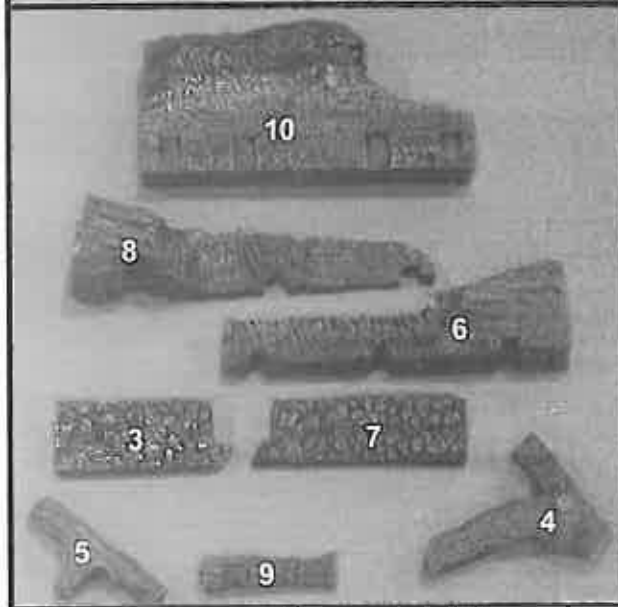
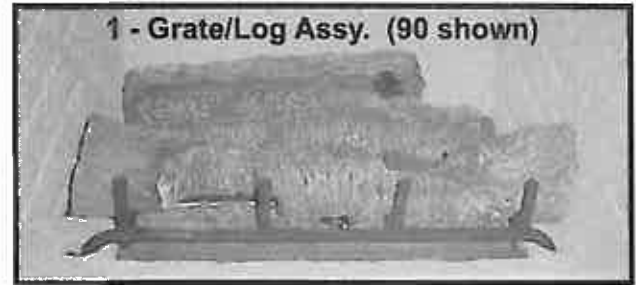
Glass Latch

Item #	Model	Description	Part #
1	70E	Rear Burner Assembly	4000-119
1	70LE	Rear Burner Assembly	4000-120
1	90E	Rear Burner Assembly	4000-121
1	90LE	Rear Burner Assembly	4000-122
	All	Dashboard Assembly	4000-118
2	All	Dashboard, Rocker Switch	12652
3	All	Dashboard, Variable Speed Control Assy.	30222
4	All	Dashboard, Battery Pack	593-594A
5	70E	Glass Assembly	35292
5	90E	Glass Assembly	35293
6	All	Quick Access Latches	33858
n/s	All	Fire Glow	FIRE98
n/s	All	Rockwool	14333B
n/s	All	Vermiculite	28746
n/s	All	Lava Rock	28911

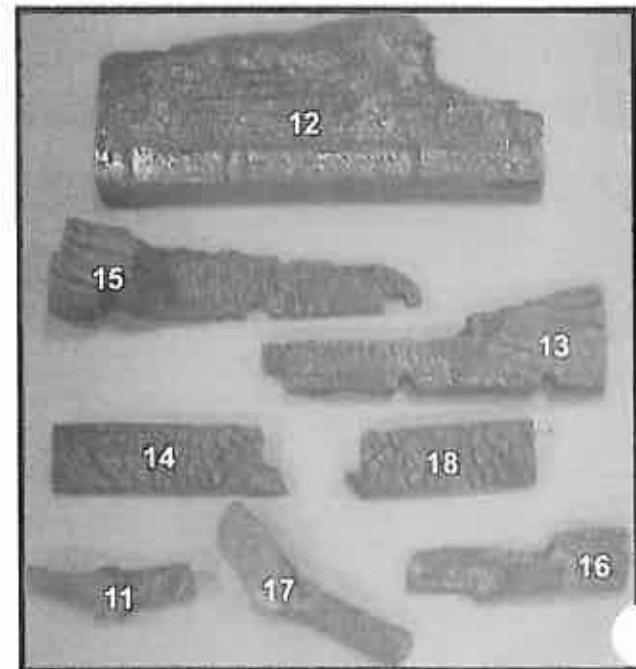
Visit our website at [www.heatilator.com](http://www.heatilator.com) for a dealer/distributor near you!

**REPLACEMENT PARTS (con't)**

	Model	Description	Part #
1	70E	Grate w/Log Set	4000-159
1	90E	Grate w/Log Set	4000-180
2	70E	Log Assembly, Back	4000-157
2	90E	Log Assembly, Back	4000-158
3	70E	Log, Left Hearth	4000-025
4	70E	Log, Right Center	4000-026
5	70E	Log, Left Top	33883
6	70E	Log, Right Front	4000-028
7	70E	Log, Right Hearth	4000-029
8	70E	Log, Left Center	4000-030
9	70E	Log, Left Front	4000-031
10	70E	Log, Back	4000-032
11	90E	Log, Left Front	4000-033
12	90E	Log, Back	4000-034
13	90E	Log, Right Front	4000-035
14	90E	Log, Left Hearth	4000-036
15	90E	Log, Left Center	4000-037
16	90E	Log, Right Center	4000-038
17	90E	Log, Left Top	32654
18	90E	Log, Right Hearth	4000-040



Log Set - CNXT70E

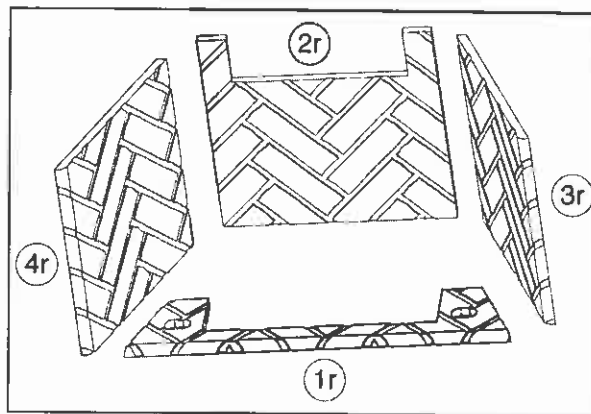


Log Set - CNXT90E

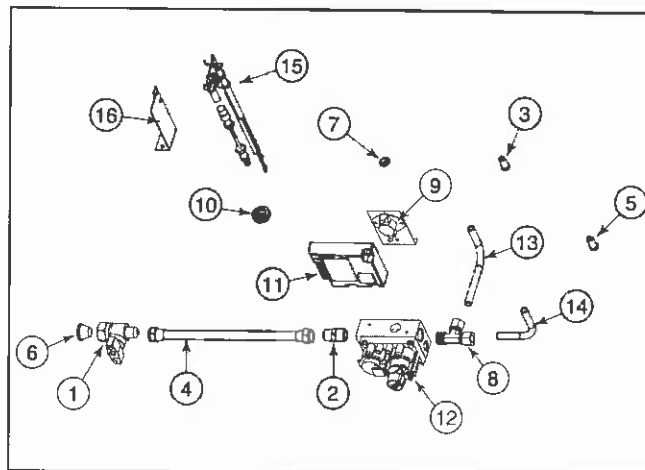
## REPLACEMENT PARTS (con't)

Item #	Model	Description	Part #
	70E	Valve Assembly	34901
	70LE	Valve Assembly	34903
	90E	Valve Assembly	34902
	90LE	Valve Assembly	34904
1		ON/OFF Valve	15697
2		Brass Fitting 3/8 NPT to 3/8 Flare	17069
3	70E, 90E	Orifice .110	17235
3	90LE	Orifice .067	17812
3	70LE	Orifice .063	17236
4		SS Flex Gas Line, 16"	17245
5	90E	Orifice .067	17812
5	70E	Orifice .059	13445
5	90LE	Orifice .035	35357
5	70LE	Orifice .063	17236
6		Dust Cap	23491
7		Grommet	25005
8		Brass Fitting Tee	25059
9		Thermostat Assembly	27234
10		Grommet 1" o.d.	27763
11		Ignition Control	593-592
12		Valve w/Regulator-NG	750-500
12		Valve w/Regulator-LP	750-501
13		Gas Tube, Back 3/8	34918
14		Gas Tube, Front 3/8	34919
15		IM Pilot Assy., NG	4021-005
15		IM Pilot Assy., LP	4021-006
16		Pilot Bracket	4000-198
		Wire Assy., Wall Switch	28602
		Wire Assy., Dexen	593-590A
		Wire Tie	70997
		Wire Assy., HIBLK18FF	29187
		Wire Assy., HIBLKGMF	4000-125
		Wire Assy., HMWHT18MF	4000-126
		Wire Assy., HIBLK8MN	35031
		3V Adapter Plug	593-593A
		Fan Kit	FK160

Item #	Model	Description	Part #
	70T	Refractory Assembly	TB70
	70H	Refractory Assembly	HB70
	90T	Refractory Assembly	TB90
	90H	Refractory Assembly	HB90
1r	70T	Refractory, Hearth	34691
2r	70T	Refractory, Back	34692
4r, 3r	70T, 90T	Refractory, Sides	34693
1r	70H	Refractory, Hearth	34695
2r	70H	Refractory, Back	34696
4r	70H	Refractory, Left Side	34697
3r	70H	Refractory, Right Side	34698
1r	90T	Refractory, Hearth	34699
2r	90T	Refractory, Back	34700
1r	90H	Refractory, Hearth	34703
2r	90H	Refractory, Back	34704
3r	90H	Refractory, Right Side	34705
4r	90H	Refractory, Left Side	34706



HB70/90 Herringbone Refractory Shown



Valve Parts

## Homeowner's Notes Page

*The first name in fireplaces*

---

## Homeowner's Notes Page

*The first name in fireplaces*

## Homeowner's Notes Page

*The first name in fireplaces*

## Index

### A

Air Shutter Handle Location 29  
Appliance Locations 6  
Appliance Preparation 23  
Assembling Vent Sections 18  
Attaching Venting to the Appliance 18

### B

BTUs 21  
Building Codes 3, 11, 15

### C

Chase Installation 18  
Cleaning  
  Burner & Control Compartments 29  
  Glass 30  
Clearances 6, 12  
Codes  
  Building 3, 11, 15  
  Electric 21, 22  
  Gas 3, 19, 20  
Combustible Finishing Material 23  
Combustible Materials 6  
Components, Included 4  
Conversion from Top Vent to Rear Vent 8

### Dashboard

Fan Variable Speed Control 22  
Installation 23  
Shipping Location 23  
Switch Wiring 22  
Disassembling Vent Sections 19

### E

Electric Codes 21, 22  
Exterior Wall Hole 14

### F

Fan Variable Speed Control 22  
Field Fuel Conversion 20  
Finishing 23  
Finishing Material 23  
Fire Glow 25  
Firestop Spacer 17  
Flame Patterns 29  
Flex Connector 20  
Framing 7  
Fuel 27  
Fuel Conversion 20, 27

### G

Gas Codes 3, 19, 20  
Gas Line Connection 20  
Gas Pressure 20  
  Table 21  
Gasket  
  Glass Door 30  
Glass  
  Cleaning 30  
  Door Gasket 30  
  Removal 23

### H

Heat Shield 15  
High Altitude Installation 19

### I

Input Rate 21  
Interior Wall Shield 14  
Intermittent Pilot Ignition  
  Assembly 29  
  Operation 27

### J

Junction Box Wiring 22

### L

Lava Rock 25  
Lighting Instructions for Intermittent Pilot 26  
Log Removal/Replacement 30  
Logs  
  Setting CNXT70E (36") 24  
  Setting CNXT90E (42") 25

### M

Mantel Height 7  
Manual Shutoff Valve 20  
Manufactured Home Construction 3  
MI Sections 19  
Minimum Installations Sections 19

### N

Nomenclature 4  
Noncombustible Finishing Material 23

### O

Orifice Sizes  
  Table 21

### R

Ratings  
  Table 21  
Rear Vent Heat Shield 15  
Replacing Glass 25  
Rock Wool 24

### S

Sealant Material 23  
Seasonal Check List 27  
Setting the Appliance 7  
Setting the Logs  
  CNXT70E (36") 24  
  CNXT90E (42") 25  
Slip Sections 19  
Space Requirements 6

### T

Temperature, High Sealant Material 23  
Termination 15  
  Horizontal 12  
  Installation 18  
  Vertical 16  
  Vertical Clearances 16  
Top and Rear Vent Clearances 16  
Troubleshooting 28  
Typical Installations 5

### U

Utilities 19

### V

Vent Lengths  
  Maximum Horizontal 16  
  Rear Vent 13, 17  
    45° Elbow 13  
    No Elbows 13  
    Three Elbows 14  
    Two Elbows 14  
  Vertical Termination Only 17  
  Top Vent 12, 16  
    One Elbow 12  
    Three Elbows 13  
    Two Elbows 13  
Vent Sections  
  Assembling 18  
  Attaching to appliance 18  
  Disassembling 19  
  Minimum Installation (MI) Sections 19  
  Slip Sections 19  
Vent Supports 16  
Vent Termination 15  
Venting Clearances  
  Rear Vent 12  
  Top Vent 12  
Venting System Inspection 29  
Venting Through the Wall 15  
Vermiculite 25  
Vinyl Soffit Shield 15

### W

Wall Switch Wiring 22  
Website 33  
Wiring  
  Dashboard Switch 22  
  Junction Box 22  
  Wall Switch 22  
Wiring Intermittent Pilot Ignition 21

# heatilator®

*The first name in fireplaces*

Hearth Technologies-Mt. Pleasant  
1915 W. Saunders Street  
Mt. Pleasant, Iowa 52641  
Division, HON INDUSTRIES  
[www.heatilator.com](http://www.heatilator.com)

## Gas Appliance (Fireplace) Limited Lifetime Warranty

HEARTH TECHNOLOGIES INC. ("HTI") extends the following warranty for HEATILATOR® gas appliances installed in the United States of America or Canada (the "Appliance"). Dealers and employees of HTI have no authority to make any warranty or authorize any remedies in addition to or inconsistent with the terms of this warranty.

### Limited Lifetime Warranty.

HTI warrants the Appliance for component failure due to a manufacturing defect of any of the following components: combustion chamber, burner pan, and logs. The Limited Lifetime Warranty specified above is subject to the conditions, exclusions and limitations listed below, is for the period the Appliance is owned by the original homeowner only, and is nontransferable.

### 1 Year Limited Warranty.

HTI warrants the Appliance to be free from failure of any of the following components for a period of one year after installation: valve, flexible gas line connector, glass panel, fan, direct vent chimney components, factory paint, gasket, piezo ignitor, thermopile, thermocouple, junction box, pilot assembly, shutoff valve, high limit switch, refractory liners, transformer, and control box. If the Heatilator Appliance is found to be defective in either material or workmanship within one year of the date of original installation, HTI will provide replacement parts at no charge and pay reasonable labor and freight costs, and is for the period of one year following the date of original installation of the Appliance.

### Conditions, Exclusions, & Limitations of Liability.

- A. Both the Limited Lifetime and 1 Year Limited Warranties supplied by HTI apply only while the Appliance is in its location of original installation. HTI's obligation under this warranty does not extend to damages resulting from (1) installation, operation or maintenance of the Appliance not in accordance with the Installation Instructions, Operating Instructions, and the Listing Agent Identification Label furnished with the Appliance; (2) installation which does not comply with local building codes; (3) shipping, improper handling, improper operation, abuse, misuse, accident or unworkmanlike repairs; (4) environmental conditions, inadequate ventilation or drafting caused by tight sealing construction of the structure, air handling devices such as exhaust fans or forced air furnaces, or other causes; (5) use of fuels other than those specified in the Operating Instructions; (6) installation or use of components not supplied with the Appliance or any other components not expressly authorized and approved by HTI; and/or (7) modification of the Appliance not expressly authorized and approved by HTI in writing. This warranty is limited to only the component parts manufactured or supplied by HTI.
- B. HTI's liability under both the Limited Lifetime Warranty and the 1 Year Limited Warranty is limited to the replacement and repair of defective components or workmanship during the applicable period. HTI may fully discharge all of its obligations under such warranties by repairing the defective component(s) or at HTI's discretion, providing replacement parts at no charge and paying reasonable labor and freight costs.
- C. **EXCEPT TO THE EXTENT PROVIDED BY LAW, HTI MAKES NO EXPRESS WARRANTIES OTHER THAN THE WARRANTY SPECIFIED HEREIN. THE DURATION OF ANY IMPLIED WARRANTY IS LIMITED TO DURATION OF THE WARRANTY SPECIFIED ABOVE.**
- D. Some states do not allow exclusions or limitations of incidental or consequential damages, so those limitations may not apply to you. This warranty gives you specific rights; you may also have other rights which vary from state to state.

### How to Obtain Service.

To obtain service under this warranty you must:

1. Send written notice of the claimed condition to Heatilator Technical Service Department, Hearth Technologies Inc., 1915 W. Saunders Street, Mt. Pleasant, Iowa 52641-1563. You may also register your claim online at [www.heatilator.com/contact.asp](http://www.heatilator.com/contact.asp).
2. Provide proof of purchase, model number, serial number, and manufacturing date code to HTI.
3. Provide HTI reasonable opportunity to investigate the claim, including reasonable opportunity to inspect the Appliance prior to any repair or replacement work and before the Appliance or any component of the Appliance has been removed from the place of original installation.
4. Obtain HTI's consent to any warranty work before the work is done.

ADDITIONAL INFORMATION. If you would like information on current HEATILATOR products or want to locate a dealer in your area, call 1-800-843-2848.

©2001 Heatilator® is a Registered Trademark of Hearth Technologies Inc.