

# heatilator®

AMERICA'S LEADING FIREPLACE SYSTEMS

## installation directions

**MARK 123  
FIREPLACE**

MODELS 3036, 3042, 3048  
3336L or R, 3342 L or R/  
*also 36F 42F*

MODEL 3042, U.S. Patent 3,744,477, MODELS 3048, 3342L/R U.S. Patent 3,605,719

INDEX	ACCESSORIES 2,3 PLANNING 4 FRAMING 5	3048/3342 MODELS 6,7 "STEP BY STEP" 8,9 TYPICAL INSTALLATIONS 10	OFFSET/ELBOW/CHIMNEY 11, 12 GAS DEVICES 13 TERMINAL CAP, CHASE, CHASE TOP 14, 15
-------	--	--	--

## GENERAL INFORMATION

BUILDING AUTHORITIES, REFER TO THE FOLLOWING: UNDERWRITERS' LABORATORIES, INC. NO. MH5850 (LOOK FOR THE LABEL), BUILDING OFFICIALS CONFERENCE OF AMERICA, INC. NO. 69-10, INTERNATIONAL CONFERENCE OF BUILDING OFFICIALS NO. 1141, SOUTHERN BUILDING CODE CONGRESS NO.

These directions are based on the NATIONAL BUILDING CODE Recommended by the American Insurance Association.

**CAUTION:** Read the directions completely (including directions packed with component parts) BEFORE beginning installation.

**WARNING:** A safe installation of this fireplace requires proper use of authorized (listed) components ONLY, and careful attention to details and workmanship when installing each component. **INSTALLER NOTE:** A fireplace rendered unsafe through use of "unauthorized parts", insufficient clearances to combustible construction, or poor practices of any description can cause a building fire. FOLLOW DIRECTIONS DILIGENTLY TO AVOID CREATION OF HAZARDOUS INSTALLATION.

### 1. The Heatilator Mark 123 Fireplaces:

Mark 123-36F	36" FRONT-OPEN	CAT. NO. 3036
Mark 123-42F	42" FRONT-OPEN	CAT. NO. 3042
Mark 123-36F	36" FRONT-OPEN	CAT. NO. 3048
Mark 123-36S	36" SIDE-OPEN	CAT. NO. 3336L or R
Mark 123-36S	36" SIDE-OPEN	CAT. NO. 3342L or R

Cat. Nos. 3036, 3042 and 3336L or R have screen located inside the face of the fireplace. Cat. Nos. 3048 and 3342L or R have wide hood and screen located outside the face of the fireplace. (Because installation procedures and framing differ depending on screen style, the installer should follow the appropriate directions herein.)

2. Fireplace may be installed directly on a combustible floor and the fireplace sides and rear may be in contact with combustible walls or wall-framing members. **WARNING: PROVIDE COMPLETE FULL-AREA SUPPORT BENEATH FIREPLACE TO BEAR WEIGHT OF UNIT AND ITS CHIMNEY —DO NOT SUPPORT FIREPLACE AT A FEW POINTS ONLY WITH BLOCKS OR FLOOR JOISTS.** (To raise fireplace above floor, construct a sturdy platform with full wood covering.)

3. The Heatilator Mark 123 Fireplaces may be installed anywhere along walls or in corners. **EXCEPTIONS:** A minimum clearance of 3' must be maintained from F-Model fireplace opening to any combustible wall which projects at 90° to the fireplace opening. F-Model fireplaces may be installed 45° across a room corner. For S-Models, a WALL SHIELD is required to protect a combustible wall which projects at 90° to either opening, and is within 4' of the fireplace opening.

4. The fireplace can be installed ONLY with the specified chimney and roof termination. (Single or Double-Housings, or Contemporary Cap or Terminal Cap) and cannot be connected to any other flue.

5. The STARTER SECTION, which is shipped with the fireplace, must be installed vertically on top of the fireplace, or, if 15° or 30° fireplace offsets are employed to bend the chimney within the fireplace room, the STARTER SECTION may be inclined on top of the offset, and may incline only to left, right, rear, or front.

6. The STARTER SECTION must be installed with not less than 2" clearance to combustibles.

7. A FIRESTOP SPACER must be used for each floor or ceiling penetrated. Use Cat. No. 3932 for vertical chimney; use Cat. No. 3916 for a chimney inclined through ceiling at 15°; use Cat. No. 3931 for a chimney inclined through ceiling at 30°.

8. Heatilator Mark 123 CHIMNEY SECTIONS (9") are used above the Starter Section. Use 6" height, Cat. No. 906; 2' height, Cat. No. 912; or 3' height, Cat. No. 913, as required.

9. For Single or Double Housings, CHIMNEY SECTIONS MUST REACH A MINIMUM OF 6" ABOVE THE HIGH SIDE of the roof opening AND meet the Slip Section with a minimum of 2" engagement. CHIMNEY SECTIONS must be installed with not less than 2" clearance to enclosure walls, ceilings, joists, floors and roof structure. (CHIMNEY SECTIONS are 14" O.D. and require ceiling and floor openings 18" x 18").

10. Overall height of fireplace and chimney to be NOT LESS THAN 12', and NOT MORE THAN 50'. (EXCEPTION: Height of chimney supported by Return portion of OFFSET, Cat. No. 3915 or 3930, may be up to 47' maximum.)

11. The HOUSING (or the CONTEMPORARY CAP) should extend at least 3' above the highest point where it passes through the roof and at least 2' higher than any portion of a building within 10'. Roof openings for HOUSINGS are: Single 18" x 18"; Double 18" x 38". Roof opening for CONTEMPORARY CAP is 18" x 18". (All roof openings are measured on horizontal.) See Installation Directions which accompany Housing of Contemporary Cap.

### USE OF TERMINAL CAP ON LOCALLY-CONSTRUCTED CHASE:

Study complete details, page 14. This new technique of enclosing fireplace and its chimney, or chimney only, requires merely competent planning and construction to be successful. HEIGHT OF CHASE, WITH CAP, IS IMPORTANT AND IS EXPLAINED IN DETAIL.

12. The floor (or surface of platform, if fireplace is elevated) in front of the fireplace is termed the HEARTH EXTENSION. Hearth Extension must extend at least 20" in front of, and at least 12" beyond each side of the fireplace opening.

Hearth Extension must be not less than 3/4" thick approved non-combustible material. (Factory-built steel Hearth Extensions are detailed on page 3; these may be covered with non-combustible material or left uncovered.)

**WARNING:** Never allow unprotected wood, carpet, or any other combustible materials to exist in hearth extension prescribed area.

13. If desired, a gas log lighter (or gas log set) may be installed in the Mark 123 Fireplace. (Such devices are not made by Vega Industries, Inc.) Special attention should be given to information supplied with the gas device. See Installation Directions "Gas Devices", page 13.

14. Heatilator Mark 123 Fireplaces are completely insulated by high-temperature batt insulation, reflective metal, and special refractory hearths and firebox liners. In addition, cooling air enters top and bottom of fireplace opening and maintains safe temperatures. DO NOT BLOCK OR ALTER IN ANY WAY THESE AIR ENTRIES, which are clearly detailed in the illustrations. DO NOT INSTALL GLASS DOORS UNLESS MANUFACTURED BY VEGA INDUSTRIES, INC., AND THEN ONLY IF DESIGNATED AS APPROPRIATE FOR YOUR PARTICULAR MODEL FIREPLACE.



Cat. No. 906  
6" Chimney Section



Cat. No. 912  
2' Chimney Section



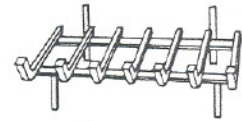
Cat. No. 913  
3' Chimney Section



Cat. No. 916  
Adjustable 0°-30° Elbows  
(2/carton)

**GRATE-Cat. No. 26**

Raises fire off hearth for better fireplace operation, holds fuel together for even burning.

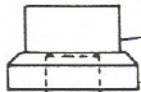


**WARNING;** Guarantee of Heatilator Fireplace is void unless this grate or equivalent is used.

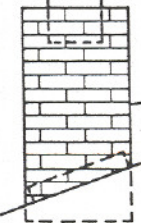
(Sometimes needed with Offsets, or with Chase Installations using Terminal Caps)

# INSTALLATION COMPONENTS

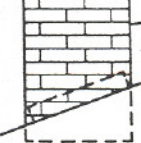
The illustration below shows components included in the Fireplace Package, while at right are shown all optional accessories which might be required or preferred to complete your installation. Asterisked (\*) items may be substituted. An item shown UNDERLINED is required for every installation.



\*1' SINGLE HOUSING TOP  
Cat. No. 1842M



\*SLIP SECTION  
Cat. No. 910



\*3' HOUSING PANELS  
18" x 18"  
Cat. No. 1442M  
Red Brick



CHIMNEY SECTIONS  
Fireplace Packages ordered by "E" Dimension on price list will contain correct chimney sections.



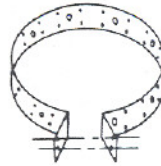
FIRESTOP SPACER  
Cat. No. 3932  
Vertical Chimney (Firestop Spacer #3916 or #3931 may be required)



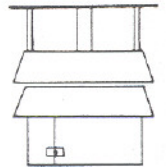
2' STARTER SECTION  
(Included with Fireplace)



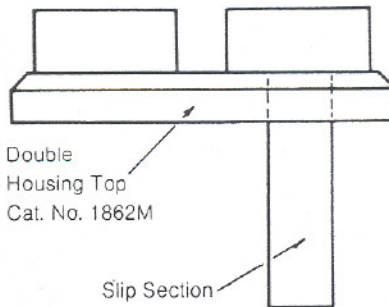
FIREPLACE  
Cat. No. 3036 or 3048  
36" Open-Front  
Cat. No. 3042  
42" Open-Front  
Cat. No. 3336R or L  
36" Right or Left  
Side-Open Corner  
Cat. No. 3342R or L  
36" Right or Left  
Side-Open Corner



JOINT BAND - Cat. No. 922  
Required for reinforcing joint between Chimney Sections only when sections are inclined or are exposed above roof.



Cat. No. 925  
Terminal Cap



Double Housing Top  
Cat. No. 1862M

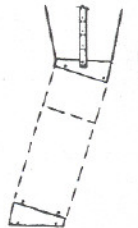
Slip Section

## DOUBLE HOUSING TOP—Cat. No. 1862M

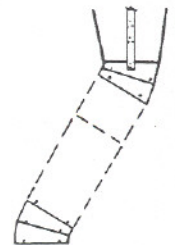
**NOTE:** With DOUBLE HOUSING, a 7" or 9" Slip Section will be required for the second chimney, depending on the appliance to be vented (Adapter included with 7" size). See HEATILATOR MARK 700 CHIMNEY data for information, (DOUBLE HOUSING may also be used with only ONE chimney-cover disc is included with DOUBLE TOP.) Order ONE (if required) for second chimney:

- 9" Slip Section - Cat. No. 910
- 7" Slip Section - Cat. No. 710

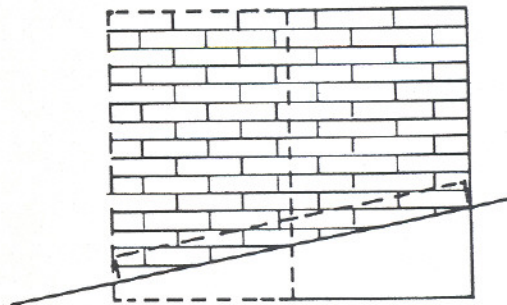
## CHIMNEY OFFSET & RETURN



15°  
Cat. No. 3915



30°  
Cat. No. 3930



SINGLE  
18" x 18"

DOUBLE  
18" x 36"

3' HOUSING PANELS  
(WHITE) CAT. NO. 1441M

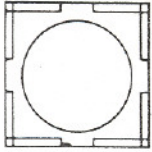
3' HOUSING PANELS  
(White) Cat. No. 1641M  
(Red) Cat. No. 1642M

5' HOUSING PANELS  
(White) Cat. No. 1461M  
(Red) Cat. No. 1462M

5' HOUSING PANELS  
(White) Cat. No. 1661M  
(Red) Cat. No. 1662M

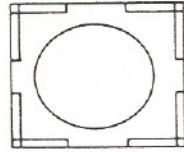
(Starter Section included with fireplace)

# ACCESSORIES

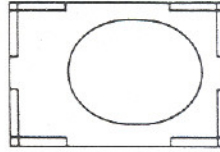


Cat. No. 3932  
(Opening: 18" x 18")  
For Vertical Chimney

## FIRESTOP SPACERS

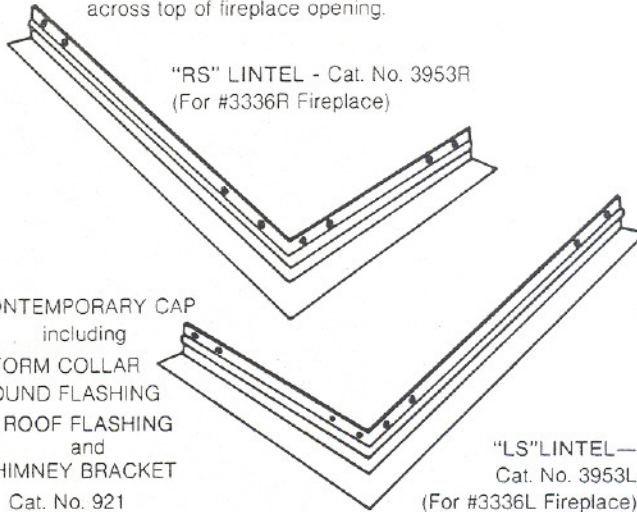


Cat. No. 3916  
(Opening: 18" x 21" 5/8")  
Use with 15° Inclined Chimney



Cat. No. 3931  
(Opening: 18" x 26 1/4")  
Use with 30° Inclined Chimney

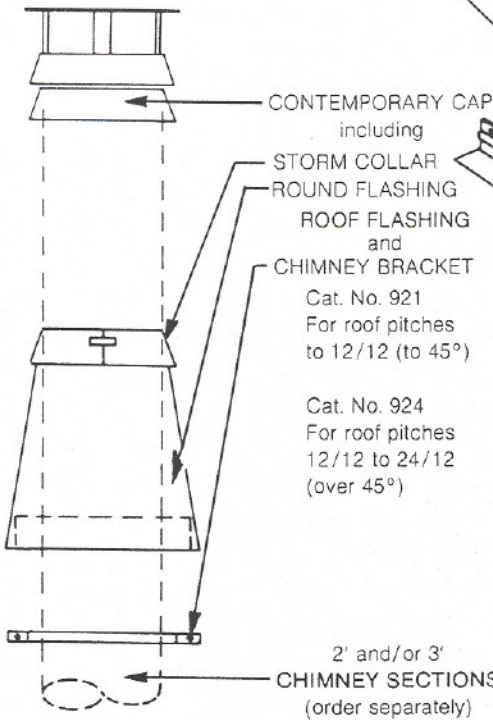
LINTELS support facings of brick and stone across top of fireplace opening.



"RS" LINTEL - Cat. No. 3953R  
(For #3336R Fireplace)

"LS" LINTEL—  
Cat. No. 3953L  
(For #3336L Fireplace)

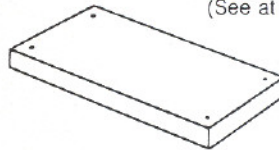
"F" LINTEL— Cat. No. 3950  
(For #3036)  
Cat. No. 3952  
(For #3042)



CONTEMPORARY CAP including  
STORM COLLAR  
ROUND FLASHING  
ROOF FLASHING and  
CHIMNEY BRACKET  
Cat. No. 921  
For roof pitches to 12/12 (to 45°)  
Cat. No. 924  
For roof pitches 12/12 to 24/12 (over 45°)  
2' and/or 3' CHIMNEY SECTIONS (order separately)

CONTEMPORARY CAP (or Terminal Cap) may substituted for the Single or Double Housing Panels & Tops. ONE OF THESE TERMINATIONS OF THE CHIMNEY ABOVE THE ROOF MUST BE USED. When ordering Contemporary Cap be sure specify Cat.No. according to roof pitch, so correct flashing type will be included in package.

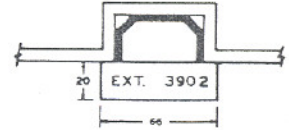
FACTORY—BUILT HEARTH EXTENSIONS (See at right)



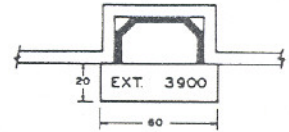
## HEARTH EXTENSIONS & WALL SHIELDS

(When Factory Built Hearth Extensions or Wall Shield are desired, items detailed in plan view diagrams below may be ordered.)

"F" Model (#3042)

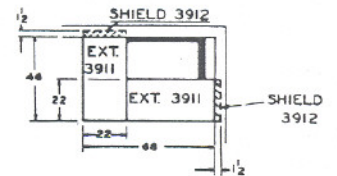


"F" Models (#3036, #3048)



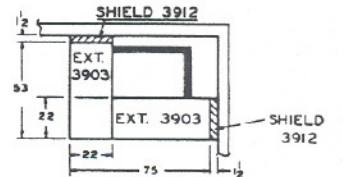
### INSIDE CORNER (MIN. SPACE)

"S" Model (#3336)  
\*L is shown.



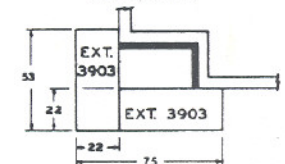
### INSIDE CORNER

"S" Models (#3336, #3342)  
\*L is shown.



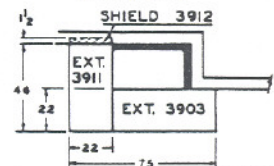
### OUTSIDE CORNER

"S" Models (#3336, #3342)  
\*L is shown.



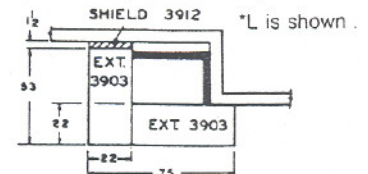
### Z—WALL INSTALLATION (MIN. SPACE)

"S" Model (#3336)  
\*L is shown.



### Z—WALL INSTALLATION

"S" Models (#3336, #3342)



\*Order same for R models. Parts fit L/R.

## —WARNING—

The INSTALLER is reminded, again, that only parts which are authorized (as shown on these pages), received undamaged on site, properly employed, and installed with care will result in a safe installation. (The only locally-fabricated metal parts permitted are the extra-width lintel, Page 7, and the CHASE TOP, detailed on page 14.

# PLANNING CONSIDERATION

## CHECK LIST

### FRAMING CONSIDERATIONS:

**FIREPLACE LOCATION** will be influenced by such factors as traffic in rooms, door and window openings, and construction above and below fireplace. See diagram showing some location possibilities.

**FLOOR** which must support installation need not be reinforced unless sizable facings of heavy material are intended.

**GAS LINE**(required only when optional gas device is to be installed) should be planned to enter right side of F and L Models, left side of R models; note position of gas pipe entry on fireplace diagrams.

**OVERHEAD CONSTRUCTION** (joists, trusses, rafters, pipes, etc.) will indicate best location of fireplace, chimney and enclosures. Study the methods shown on Pages 10, 11, and 12 for inclining the chimney, if necessary, and for framing correct ceiling openings. For vertical chimney ceiling openings, see Page 9.

**FRAMEWORK** around the fireplace may be planned to include bookshelves, woodbins, closets, or enclosures for other flues from floors beneath. In addition, the space above the fireplace's sloping sides permits shelves, niches, cabinets or other built-ins --- such built-ins may be made accessible from front, sides or rear. (MAINTAIN 2" MIN. CLEARANCE BETWEEN ALL CONSTRUCTION AND CHIMNEY.)

**FIREPLACE OPENING FRAMING** will be governed by flush or projecting facing materials and how far above or to sides of opening these will extend. See **FACING MATERIALS** at right.

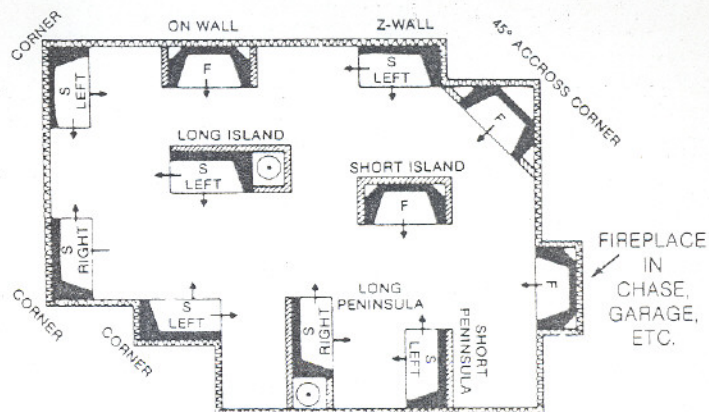
### HEARTH EXTENSIONS & WALL SHIELDS:

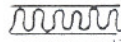
**HEARTH EXTENSIONS ARE REQUIRED**--see paragraph 12 on page 1. (WALL SHIELD is sometimes required for use with S-Model; see paragraph 3 on Page 1 and diagrams of Wall Shield use on Page 3.)

**HEARTH EXTENSIONS** and entire fireplace may be recessed into the floor, installed on the sub-floor or finished floor, or raised on a suitable platform. If recessed or raised, provide a level surface strong enough to support the fireplace, chimney and Hearth Extension. **HEARTH EXTENSIONS** may be surfaced with any non-combustible material.

### SPECIAL NOTE:

If using Models 3036, 3042 or 3336L or R, fireplace may be raised with Hearth Extension at a lower level, to allow facing material to be applied between bottom of fireplace and top of Hearth Extension. If using Models 3048 or 3342L or R, remember that side trims and screen cannot reach lower than bottom of fireplace. Hearth Extension surface should be level with bottom of fireplace or not more than 2½" higher than bottom of fireplace.



**IMPORTANT: INSULATE CAREFULLY ALL EXTERIOR WALLS** which surround fireplace, as shown by symbol  in diagram above. Especially, note that CHASE surrounding fireplace, is fully insulated. (REASON- To prevent extremely cold metal surfaces in winter, so that drafts of chilled air through small cracks around the fireplace opening will not occur.)

**WALL SHIELDS** are installed recessed into or projecting from the finished wall surface. Final surfacing is same as described for Hearth Extension.

### FACING MATERIALS:

- Models 3036, 3042 and 3336L or R  
FIREPLACES ONLY:

**NON-COMBUSTIBLE FACING MATERIAL**, ( Glass, Marble, brick, tile, stone, etc.) may be applied to the face surfaces of the installed fireplace. Minimums of 5" at sides and 6" at top have been established; any greater widths are permissible. The fireplace may be elevated on its own platform above the hearth extension area to permit the use of additional facing material below the fireplace opening. **CAUTION:** Do not use facing material in a manner which will block special air entries at top or bottom of the fireplace opening.

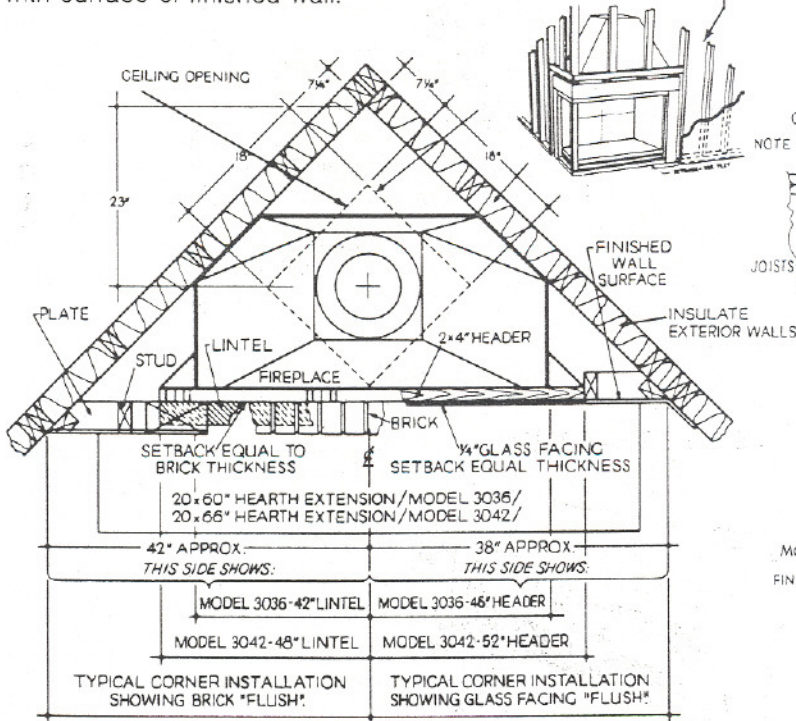
**FACING MATERIAL** may be flush with, or projecting in front of, the finished wall surface. For **FLUSH** facing material, the **FIREPLACE** is recessed behind surface of finished wall a distance equal to facing thickness; for **PROJECTING** facing material, the **FIREPLACE** is flush with finished wall surface. (Flush installation is recommended for smooth or thin facings, with a "picture frame" molding used to conceal joint between facing and finished wall. Projecting installation permits a shallower cavity to enclose the fireplace and enhances the appearance of massive natural materials, with side joints between facing and finished wall concealed by caulking and top of projecting material concealed by a mantel installed across the top.) A mantel, if used, must be at least 12" above the fireplace opening.

- Models 3048 and 3342 L or R  
FIREPLACES ONLY:

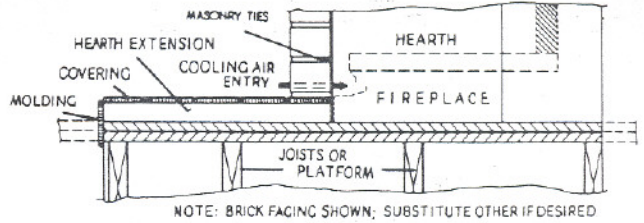
It is not necessary to employ facing materials; the Screen Hood and Side Trims are designed to finish off neatly the fireplace sides and top in a flush installation. (However, if desired, decorative **FACING MATERIAL** - glass, marble, brick, tile, stone, etc., - may be applied above the Screen Hood or beyond the Side Trims for any distance, and such decorative materials may be flush with, or projecting in front of, the finished wall surface. See page 7 for facing details.)

# FRAMING THE FIREPLACE

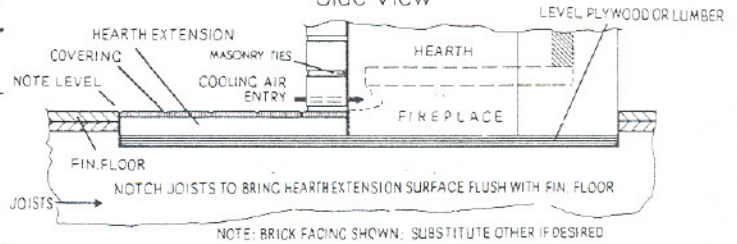
The illustration below and at right may suggest possibilities, but may not serve exactly as shown for your installation. Determine SUPPORT method first, then the ENCLOSURE FRAMING. It is important to remember that FACINGS FLUSH WITH FINISHED WALL SURFACES require "Setback" measured from the surface of finished wall to metal front of fireplace. If FACINGS PROJECT IN FRONT OF FINISHED WALL SURFACE, align metal front of fireplace with surface of finished wall.



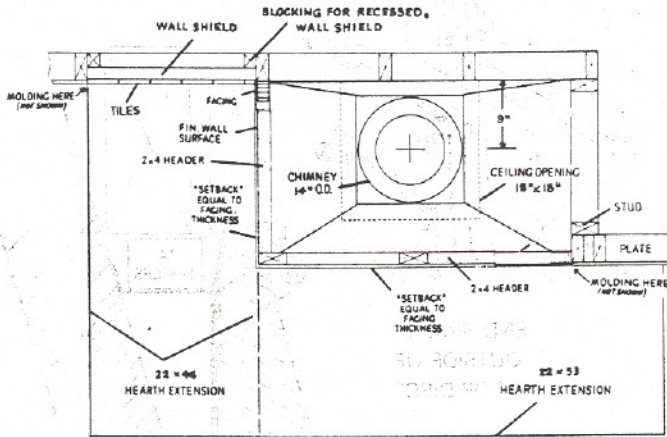
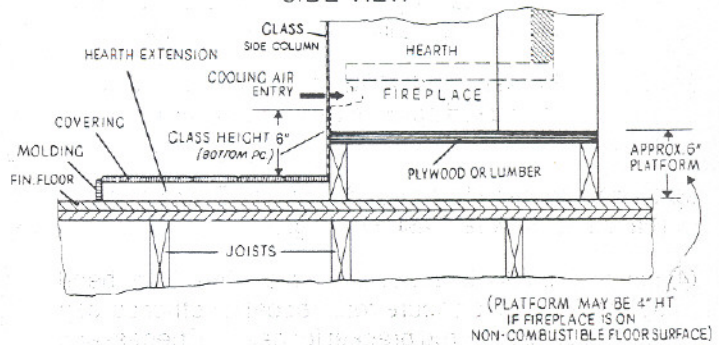
## TYPICAL FIREPLACE on FLOOR or PLATFORM Side View



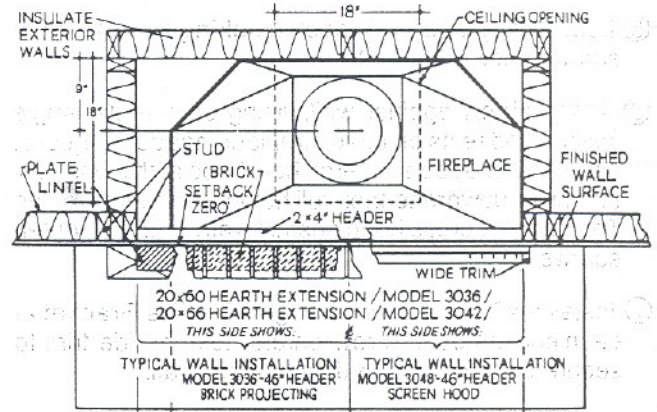
## HEARTH EXTENSION and FIREPLACE RECESSED Side View



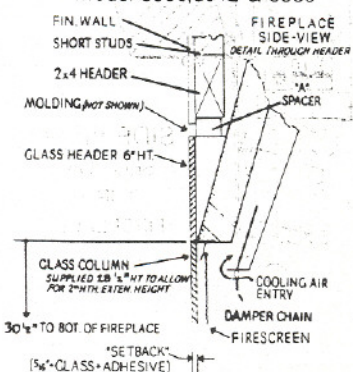
## RAISED FIREPLACE FOR FULL (Four Sides) GLASS FACING SIDE VIEW



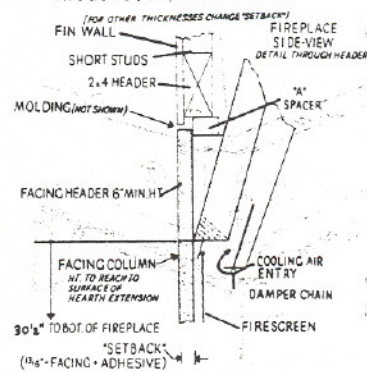
TYPICAL 3/8" INSTALLATION (Z-WALL) "FLUSH FACE" FRAMING



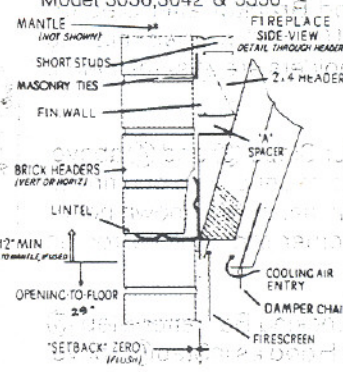
### "BLACK GLASS" — FLUSH Model 3036, 3042 & 3336



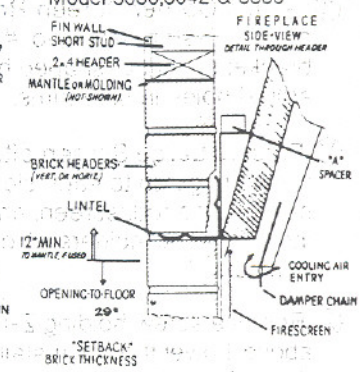
### 3/4" SLATE, MARBLE, ETC. — FLUSH Model 3036, 3042 & 3336



### BRICK — PROJECTING Model 3036, 3042 & 3336



### BRICK — FLUSH Model 3036, 3042 & 3336



NOTE: "GLASS" may be 1/4" mirror, opaque colored glass, or thin tile. Adjust SETBACK distance to accommodate thickness of material.

# SIDE TRIMS/SCREENS/ HOOD INSTALLATION

MODEL 3048

Diagram below shows parts required, from fireplace carton. Radiation Shield (A) and Locking Bars (with Guides) (B) are factory-installed. The Locking Bars are in "down" position --do not change yet.

**IMPORTANT:** Metal face of fireplace must be flush with surface of finished wall (C). Wall may be painted first, if desired, before final parts are installed. (Hood parts may be installed on fireplace before wall is completed, but normal procedure is to complete wall first.)

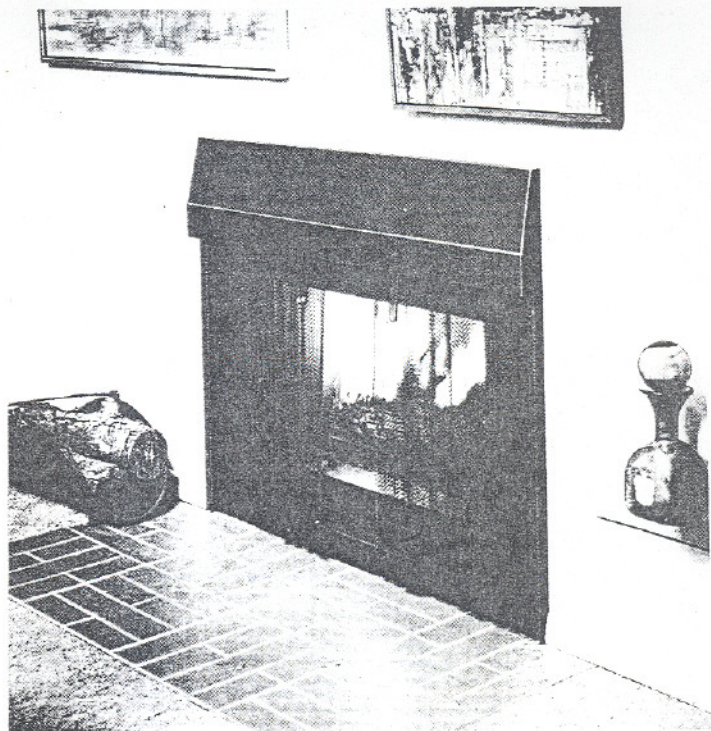
## STEP — BY — STEP

**NOTE:** Step numbers 1 through 7 relate to product parts numbered in illustrations below).

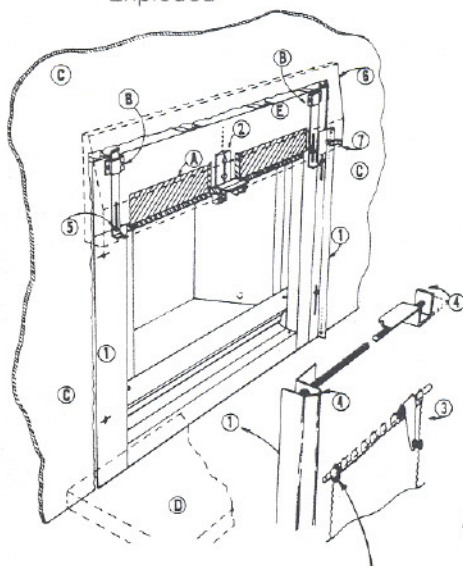
- ① Attach Side Trims with two #10 x 3/8" screws each, and lower the trims until they rest on Hearth Extension (D) (Side Trims are alike- install either side.)
- ② Attach Screen Rod Bracket with two #10 x 3/8" screws, placing rod holes at same height as rod holes in Side Trims.
- ③ Thread Screen Half and Handle on Rod as shown (handle is between last two rings.)
- ④ Insert Rod into Bracket, then into Side Trim; bend up bracket end to secure rod. Repeat for other screen half. Adjust center rod bracket for height, if necessary.
- ⑤ Loosen single screw in each Locking Bar. All other screws should be tight.
- ⑥ Place Hood against wall, being sure metal angle inside hood rests on top of fireplace header (E) (just at base of A-shaped spacers); hold hood at this position, and push upward to their full height each locking bar. The bars will press hood against wall surface. Tighten screws (5).
- ⑦ Install a #7 x 1/2" screw through small Tie Bracket at each end of hood. Screw enters hole in side trim to secure bottom of hood tight against wall.

ADDED STEPS FOR MODELS 3342L or 3342R ONLY  
(MODEL 3342L SHOWN: MODEL 3342R REVERSED)

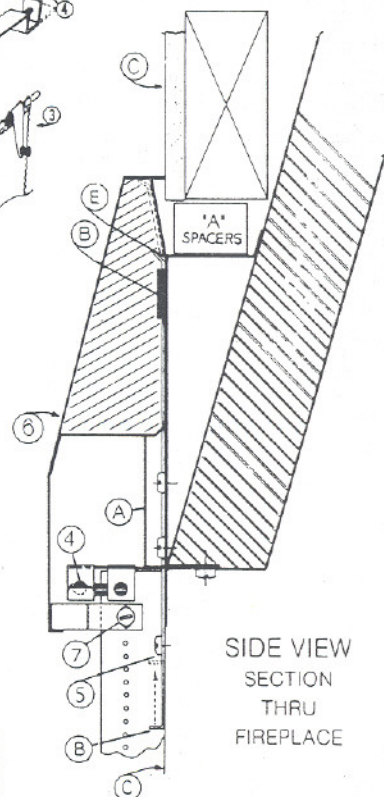
- ⊗ Attach Corner Screen Rod Bracket after Step ② above. Fasten with two #10 x 3/8" screws, placing bracket so that U-shaped holders are at same height as rod holes in side trims.
- ⊙ Prepare Large Screen after Steps ③ and ④ above. Half of rings go to each side of bend, with one ring at bend. Place rod, screen, and handle as shown, bending U-shaped holders at corner slightly over rod as retainers.
- ⊚ Remove screw holding Z-Locking Bar, after Step ⑤ above. Lower the bar. Install Hood as in Step ⑥ above. Raise Z-Locking Bar, replace screw.



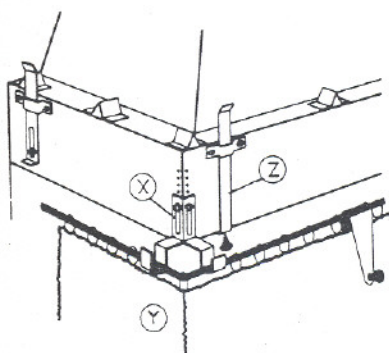
PERSPECTIVE VIEW  
Exploded



END RING TO  
OUTSIDE OF  
"STOP DISC".



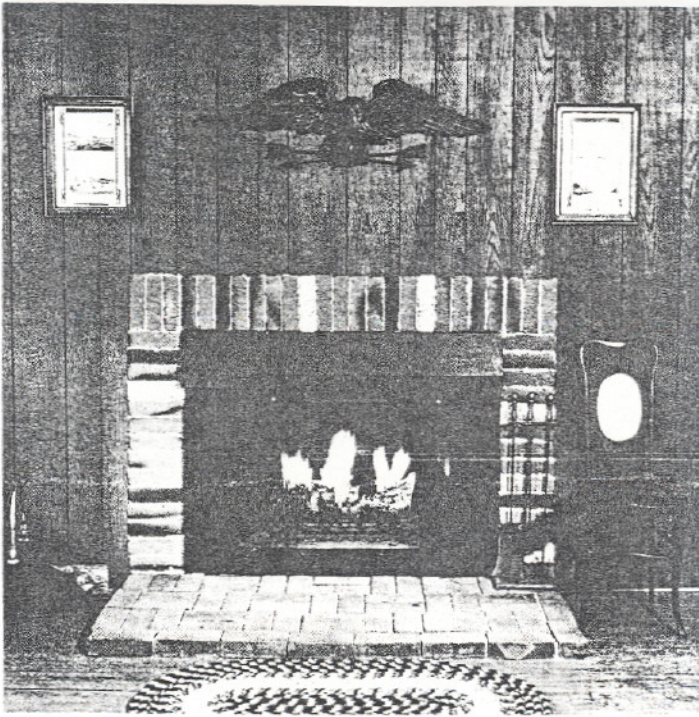
SIDE VIEW  
SECTION  
THRU  
FIREPLACE



MODEL 3342 L

# MODEL 3048/3342 FACING

(OPTIONAL)



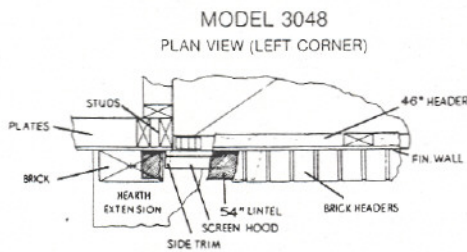
As stated previously in these Directions, facing is not required with these fireplaces, but may be applied whenever it is desired to increase the visual size of the fireplace, or to create a specific decor. Note, for example, how brick in photo at left increases apparent fireplace size and establishes Early American decor. Many other materials may be utilized as preferred.

Decide, before framing for walls, whether facing material is to FULLY PROJECT, PARTIALLY PROJECT, OR BE FLUSH WITH --- the finished wall surface. In diagrams below, the three different methods are shown, using brick for purposes of illustration. Other materials may dictate different framing from ways shown. (NOTE: When a facing is to be applied some time later, after original fireplace installation, it must be Fully Projecting.)

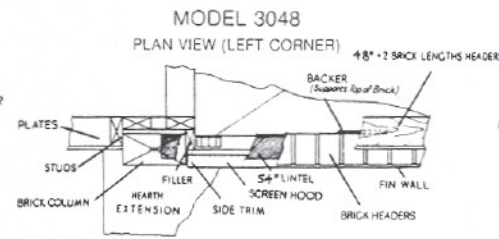
**SPECIAL NOTE:** Brick installation for 3342L or R models should be limited to FLUSH BRICK method so that lintel will be adequately supported. Height of brick courses above lintel not over 16".

In these diagrams, special attention is invited to:

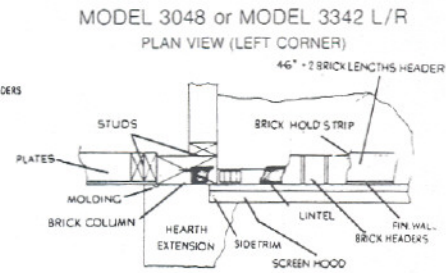
1. Use of oversized HEARTH EXTENSION: The Extension, if at least as wide as the planned masonry, enhances the fireplace size appearance and often is useful to support masonry columns. (See photo above.)
2. Use of extra-width LINTEL, available in your local area, is recommended. It should rest at least 3" on side of masonry columns.
3. Maintenance of 1/8" clearance between lintel and hood in first two illustrations.
4. Use of MASONRY TIES at numerous places to anchor brick to studs and headers.



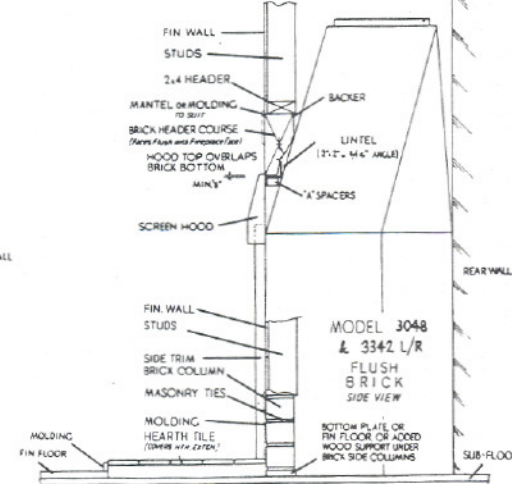
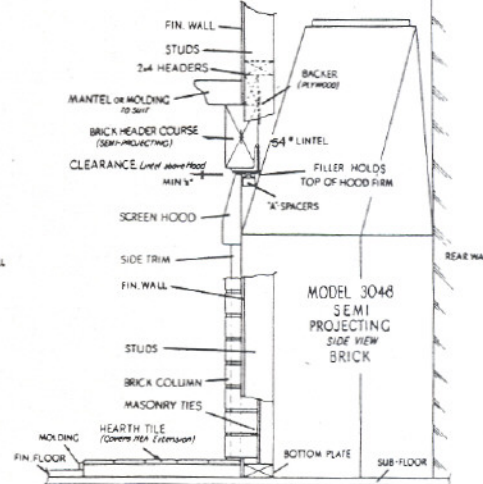
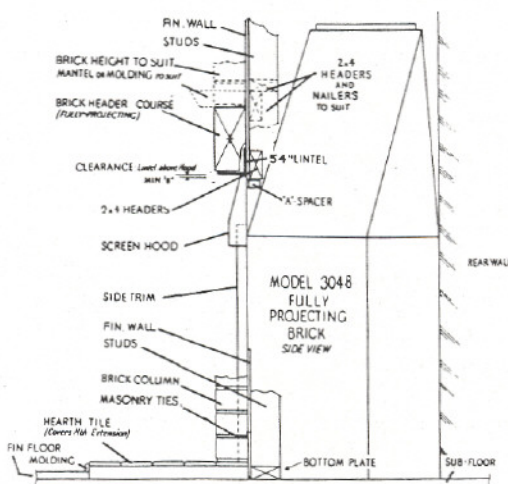
FULLY—PROJECTING BRICK



SEMI—PROJECTING BRICK

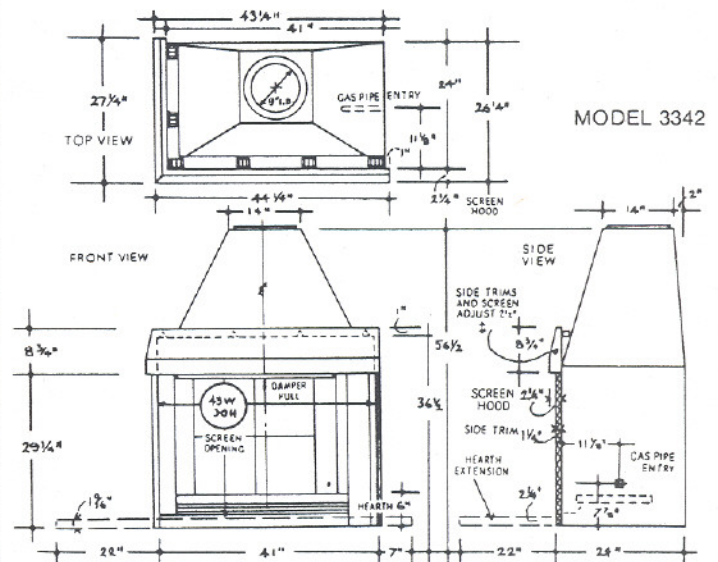
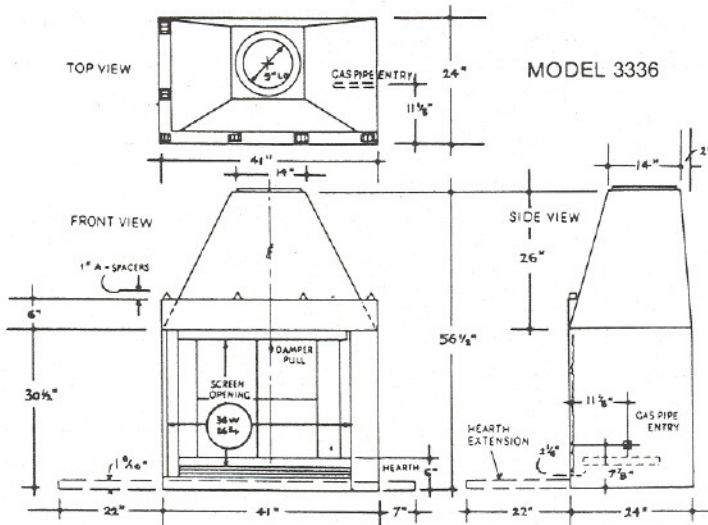
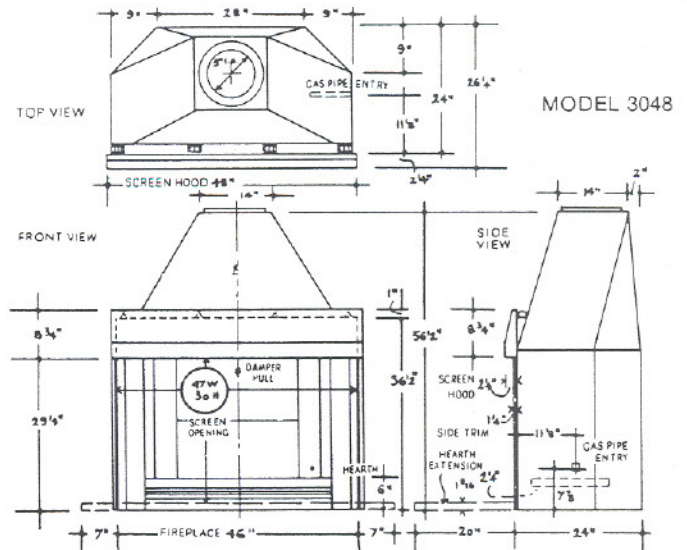
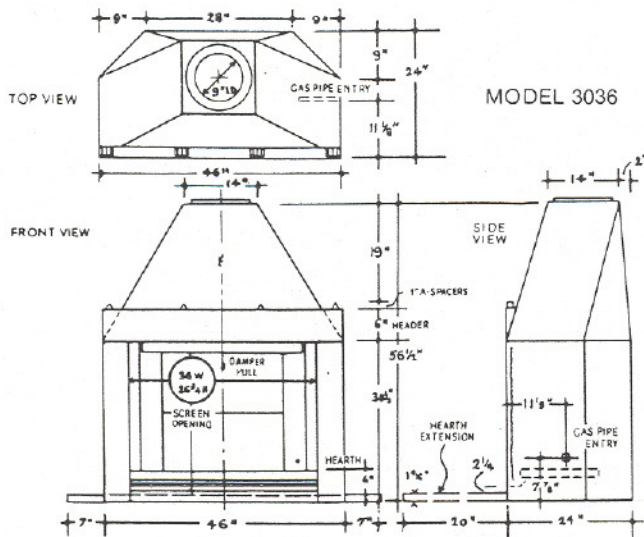
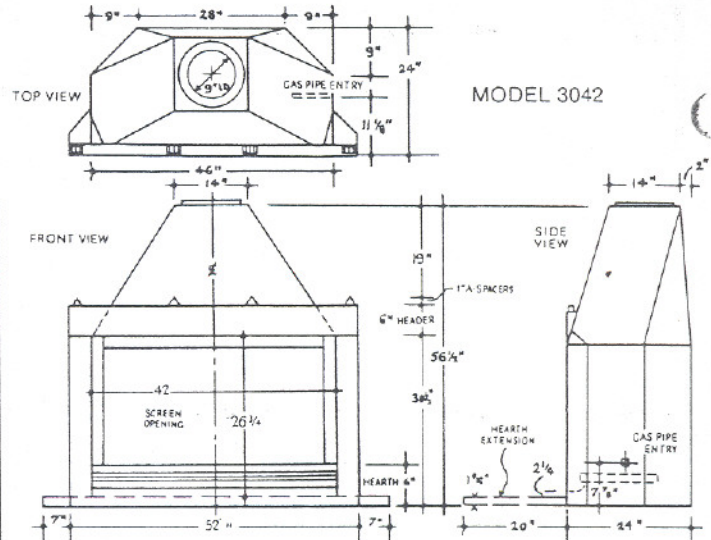


FLUSH BRICK



# STEP by STEP INSTA

1. CHECK all carton contents, and IDENTIFY required items in Fireplace Package as illustrated, and any alternate or accessory parts selected. READ all Installation Directions which accompany components.
2. NOTE DIMENSIONS of fireplace and Starter Section. Your installation planning should be completed before continuing. See PLANNING CONSIDERATION - Check List.
3. CHECK the operation of damper (OPEN when handle is up, CLOSED when handle is down and large bead on chain is seated just under notch). Damper is adjustable ONLY for closed or open positions.
4. MOUNT the Starter Section on top of fireplace (Fig. 1.) Holes in bottom of Starter Section will now align with matching holes in fireplace top. Secure Starter Section to top of fireplace with four #8 x 1" screws provided. (If using Fireplace Offset to incline chimney, see Offset details).

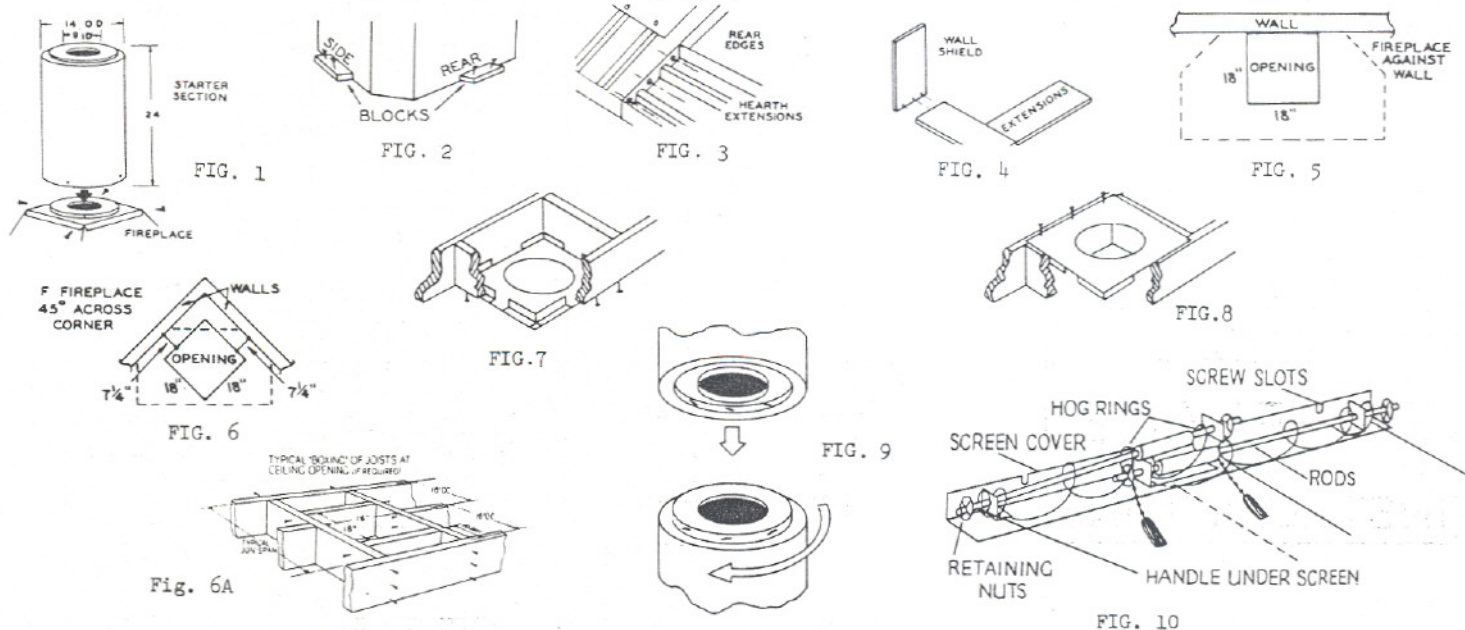


5. MOVE Fireplace into planned location; unless fireplace is to be held securely in position by walls and Hearth Extensions, fasten blocks to floor to prevent fireplace from shifting. (Fig. 2).
6. ASSEMBLE (for Side-Open fireplaces only) the hearth Extensions, and Wall Shield if required, using 1/4" x 1/2" bolts, nuts and lock washers provided (Figs. 3 and 4). ANCHOR Hearth Extension to floor and Wall Shield to wall with appropriate fasteners, being sure fasteners enter solid construction.

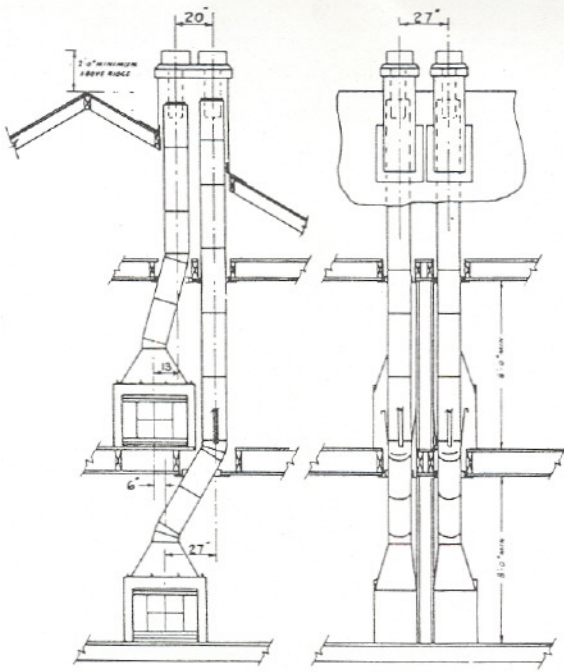


# LATION DIRECTIONS

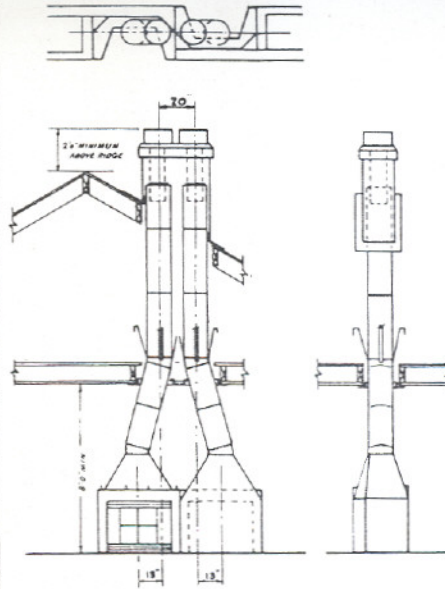
7. **IMPORTANT:** Ceiling Opening is not 18" x 18" (as described below) for chimney inclined at 15° or 30° where it penetrates ceiling or floor. See Offset details for inclined chimney openings.
8. **CUT CEILING OPENING**, 18" x 18" square, for vertical chimney (Figs. 5 & 6). "Box" (Fig. 6A) around opening to provide nailing surface for Firestop Spacer. If fireplace is tight against a wall or in a corner, use dimensions below. (If fireplace is away from wall, use plumb line or straight edge with level to locate center of opening, gauging on center of closed damper.)
9. **FIRESTOP SPACER** is installed next, as shown in Fig. 7, for all openings not at attic level; as shown in Fig. 8 for opening leading to an attic. Nail through flanges into joists and "Box" members. Do not pack insulation into areas between Firestop Spacer and joists. **OFFSET NOTE:** When hanger straps of Offset Return interfere with normal "upward" installation, install Firestop Spacer, "downward" (Fig. 8).



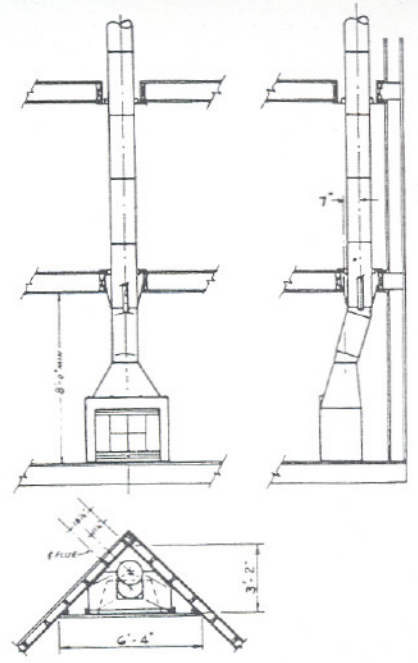
10. **CONTINUE** adding Chimney Sections, until chimney exists above roof. (Note Paragraph 9 of **GENERAL INFORMATION**.) Any ceilings encountered are "boxed" at 18" x 18" as described, and Firestop Spacers installed. Roof opening should be plumbed from last Firestop Spacer, then cut according to roof termination used. **NOTE:** Chimney Sections are locked together by a firm clock-wise twist, which engages mating threads at ends (Fig. 9). **ADDITIONAL REINFORCEMENT** is required only when chimney is inclined (see details under **OFFSET** or **ELBOW** directions) or when chimney is exposed above roof (see details under **CONTEMPORARY CAP** directions).
11. **ROOF TERMINATION** is completed according to detailed directions shipped with the components selected. (See brief description of choices under **ACCESSORIES**.)
12. **FRAMING** should now be completed in accordance with diagrams and suggestions under the "Framing The Fireplace" portion of these directions.
13. **FIREPLACE SCREEN** (Models 3036, 3042 and 3336 Fireplaces only) is shipped fully installed; remove protective paper wrap. (If screen, rod, or handles are to be removed for any reason, note Fig. 10 above explaining re-assembly. Screen Cover is removed or replaced via #10 x 1/2" screws.)
14. **SCREEN HOOD AND SIDE TRIMS:** (Models 3048 and 3342 Fireplaces only) may be installed as soon as finished wall is applied over framing, with final painting completed first if desired; Hearth Extension is usually completed first. See Page 6.
15. **FACING** (Models 3036, 3042 and 3336 Fireplaces only) of brick, stone, or other heavy materials should be anchored to fireplace front with numerous Masonry Ties; attach ties via sheet metal screws as lay-up proceeds. (It is optional whether **FACING** or **Hearth Extension SURFACING MATERIAL** is installed first --- materials used will dictate best procedure.) **MASONRY LINTEL** to support masonry across top of fireplace opening rests on masonry columns. Less massive materials, such as glass or marble, are applied with a suitable adhesive to fireplace front surfaces; provide support for facing until adhesive sets.
16. **FACING** (Models 3048 and 3342 Fireplaces only) is optional. If employed, facing is used outside the Side Trims and above the Hood. See illustrations on Page 7 showing preparatory framing for brick, in fully projecting, semi-projecting and flush method. Note use of lintel; do not allow brick or any facing materials to rest on hood. Thin facing materials (glass, marble, tile, etc.) are applied to surface of finished wall, and secured by appropriate adhesive or surrounding molding or both.



FOUR Cat. No. 3036 FIREPLACES  
BACK-TO-BACK TWO-STORY



TWO CAT. NO. 3036 FIREPLACES  
SIDE-BY-SIDE ONE FLOOR.  
(APPLICABLE TO SINGLE OR  
MULTIPLE DWELLINGS.)

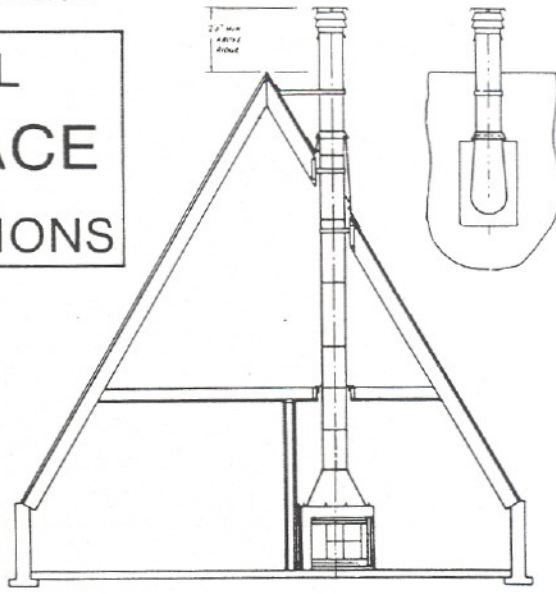


CAT. NO. 3036 FIREPLACE, CORNER  
INSTALLATION (REQUIRES MINIMUM  
FLOOR SPACE IN UPPER ROOMS)

**TYPICAL  
FIREPLACE  
INSTALLATIONS**

*E.T. Kelly*

CAT. NO. 3336R  
FIREPLACE  
TYPICAL A-FRAME  
INSTALLATION

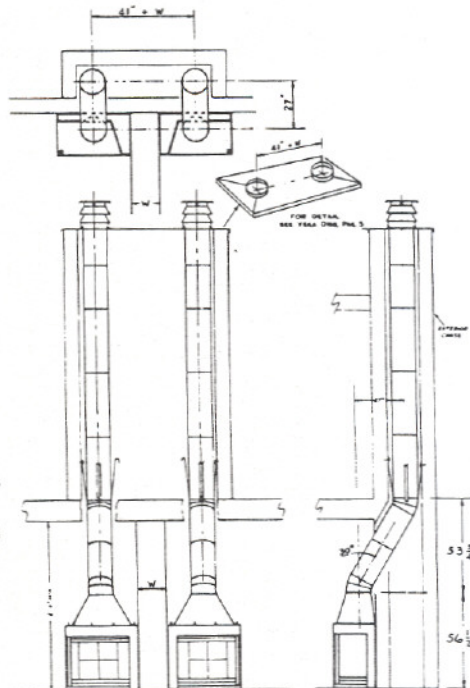


**ABOVE AND LEFT**

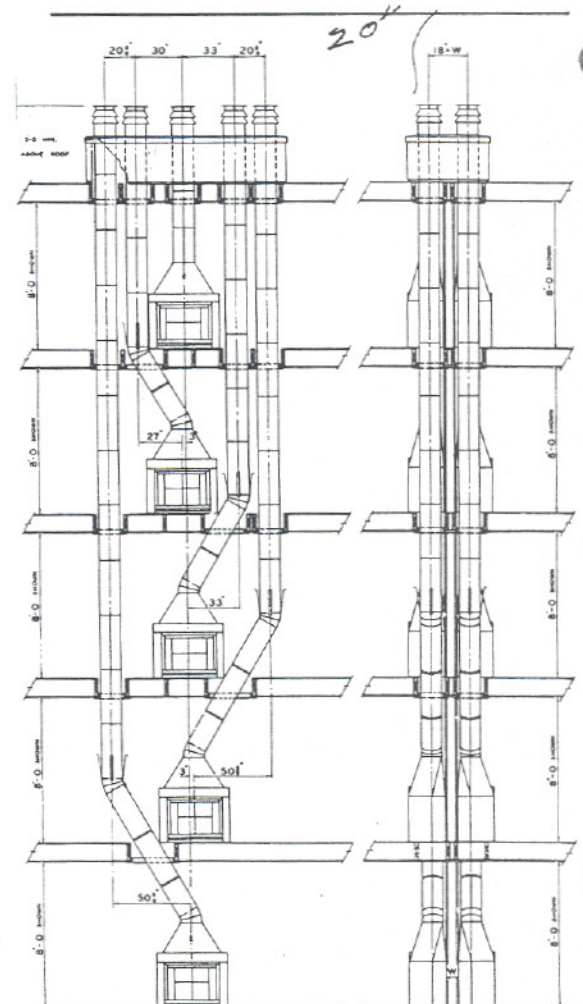
Typical Single-Family or Multiple-Unit-Dwelling installations. Choice of four Roof Termination options available.

**AT RIGHT**

Typical Multiple-Unit Dwelling Installation, with Terminal Caps used on locally-constructed Chase.



TWO CAT. NO. 3336 FIREPLACES  
(1 LEFT OPEN, 1 RIGHT OPEN)  
SIDE-BY-SIDE, ONE FLOOR.  
(REQUIRES NO FLOOR SPACE IN  
UPPER ROOMS.)



TEN CAT. NO. 3036 FIREPLACES  
VERTICAL ALIGNMENT 0" OR 3"

# FIREPLACE OFFSET CHART

## HEIGHT LIMITATIONS

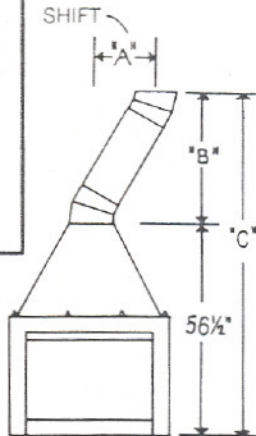
"Height of chimney SUPPORTED BY FIREPLACE to be not more than 45 ft." (Chart 1 goes to 49'9" because fireplace is 4½ ft. high, approx.)

"When a Chimney Offset is employed, the height of chimney SUPPORTED BY OFFSET to be not more than 47 ft." (Chart 2 goes to 47'.)

### USE OF 15° & 30° OFFSETS

	"A" TOTAL SHIFT	"B" HT. FROM TOP OF FIREPLACE TO TOP OF THE SUPPORT OFFSET	"C" HT. FROM BOTTOM OF FIREPLACE TO TOP OF OFFSET (NEAREST INCH)
<b>15°</b>			
*Offset used alone	1"	30 1/4"	7' 3"
Off. & St.Sec.	7"	29 1/2"	7' 2"
Off. & St.Sec. + One 2' Chim.	13"	51 3/4"	9' 0"
Off. & St.Sec. + One 3' Chim.	16"	63 1/4"	10' 0"
Off. & St.Sec. + Two 2' Chim.	19"	74"	10' 10"
Off. & St.Sec. + One 2' Chim. + One 3' Chim.	22"	85 3/4"	11' 10"
Off. & St.Sec. + Two 3' Chim.	25"	97 1/4"	12' 10"
<b>30°</b>			
*Offset used alone	4"	37"	7' 9"
Off. & St.Sec.	15"	33 3/4"	7' 6"
Off. & St.Sec. + One 2' Chim.	27"	53 3/4"	9' 2"
Off. & St.Sec. + One 3' Chim.	33"	64"	10' 1"
Off. & St.Sec. + Two 2' Chim.	39"	73 3/4"	10' 10"
Off. & St.Sec. + One 2' Chim. + One 3' Chim.	45"	84 1/4"	11' 9"
Off. & St.Sec. + Two 3' Chim.	51"	94 1/2"	12' 7"

\* On top of vertically-installed Starter Section.



### OFFSET USE

FIREPLACE OFFSETS are fixed at 15° or 30° at the factory, and cannot be used to incline the chimney at any other angle. CHART gives exact data for planning at 15° and 30°.

### ELBOW USE, INCLINED CHIMNEYS

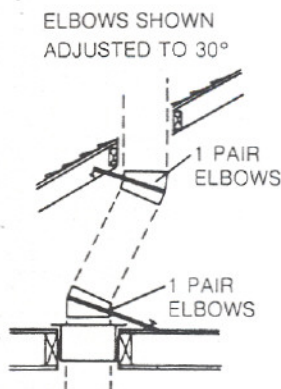
#### ADJUSTABLE 0-30° ELBOWS CAT. NO. 916

Elbows are intended for use ONLY at upper areas of chimney, and cannot be used within the room in which the fireplace is located (see Offset Chart). Elbows, in pairs, are adjustable for any angle from 0° to 30°. NOTE: If only one pair of elbows is used, chimney must incline 15°. For any other angle, two pairs must be used. Installation instructions are packed in each elbow carton.

### INCLINED CHIMNEYS AT VARIOUS ANGLES

(Using 0°-30° Adjustable Elbows -- See Elbow Text)

	EACH 2' CHIM. SEC.		EACH 3' CHIM. SEC.	
	Adds To Shift	Adds To Ht.	Adds To Shift	Adds To Ht.
5° Incline	2"	23 1/8"	3 1/16"	35 1/16"
10° Incline	4 1/16"	22 7/8"	6 1/8"	34 11/16"
15° Incline	6"	22 7/16"	9 1/8"	34"
20° Incline	8"	21 13/16"	12 1/16"	33 1/8"
25° Incline	9 7/8"	21 1/16"	14 7/8"	31 15/16"
30° (Max.) Incline	11 5/8"	20 1/8"	17 5/8"	30 1/2"



VERTICAL INSTALLATION			HT. - CHIMNEY ONLY*		
HT. TO CHIMNEY TOP			2 ft. Sec.	3 ft. Sec.	Height
2 ft. Sec.	3 ft. Sec.	Height			
1	0	8' 7"	1	0	1' 11"
0	1	9' 7"	0	1	2' 11"
2	0	10' 6"	2	0	3' 10"
1	1	11' 6"	1	1	4' 10"
0	2	12' 6"	0	2	5' 10"
2	1	13' 5"	2	1	6' 10"
1	2	14' 5"	1	2	7' 10"
0	3	15' 5"	0	3	8' 10"
2	2	16' 5"	2	2	9' 9"
1	3	17' 5"	1	3	10' 9"
0	4	18' 5"	0	4	11' 9"
2	3	19' 4"	2	3	12' 8"
1	4	20' 4"	1	4	13' 8"
0	5	21' 4"	0	5	14' 8"
2	4	22' 3"	2	4	15' 7"
1	5	23' 3"	1	5	16' 7"
0	6	24' 3"	0	6	17' 7"
2	5	25' 2"	2	5	18' 7"
1	6	26' 2"	1	6	19' 7"
0	7	27' 2"	0	7	20' 7"
2	6	28' 2"	2	6	21' 6"
1	7	29' 2"	1	7	22' 6"
0	8	30' 2"	0	8	23' 6"
2	7	31' 1"	2	7	24' 5"
1	8	32' 1"	1	8	25' 5"
0	9	33' 1"	0	9	26' 5"
2	8	34' 0"	2	8	27' 4"
1	9	35' 0"	1	9	28' 4"
0	10	36' 0"	0	10	29' 4"
2	9	37' 0"	2	9	30' 4"
1	10	38' 0"	1	10	31' 4"
0	11	39' 0"	0	11	32' 4"
2	10	39' 11"	2	10	33' 3"
1	11	40' 11"	1	11	34' 3"
0	12	41' 11"	0	12	35' 3"
2	11	42' 10"	2	11	36' 2"
1	12	43' 10"	1	12	37' 2"
0	13	44' 10"	0	13	38' 2"
2	12	45' 9"	2	12	39' 1"
1	13	46' 9"	1	13	40' 1"
0	14	47' 9"	0	14	41' 1"
2	13	48' 9"	2	13	42' 1"
1	14	49' 9"	1	14	43' 1"
0	15		0	15	44' 1"
2	14		2	14	45' 0"
1	15		1	15	46' 0"
0	16		0	16	47' 0"

See Ht. Limitations Above

(\*Does not include Starter Section).

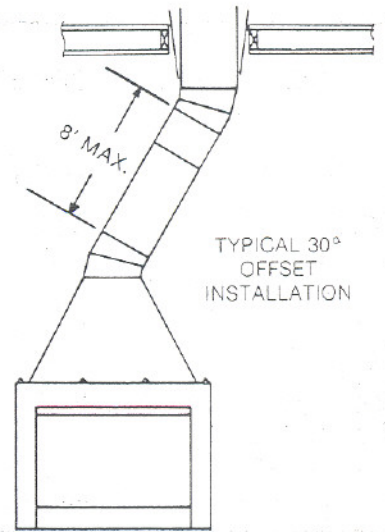
# USE OF FIREPLACE OFFSET AND OVAL FIRESTOP SPACER

## —OBSERVE— LIMITATIONS ON OFFSET USE

OFFSET is intended for use ONLY in the fireplace room, EXCEPT that the inclined chimney may penetrate the ceiling (with the RETURN portion of the offset installed within or above the ceiling construction.)

### FURTHER LIMITATIONS:

1. OFFSET may incline chimney 15° or 30° ONLY (purchase correct factory-assembled sets.)
2. Chimney may INCLINE to left, right, rear, or front -- as viewed from front of fireplace.
3. MAXIMUM inclined chimney length is 8'.
4. FIRESTOP—SPACER must be installed whenever the chimney penetrates a ceiling.
5. JOINT BAND must be used to reinforce every joint at bottom of an inclined chimney section, except for screw-fastened Starter Section.
6. HANGER STRAPS of the Return Offset must be securely fastened on all four sides to substantial construction to safely carry the weight of all chimney sections above.

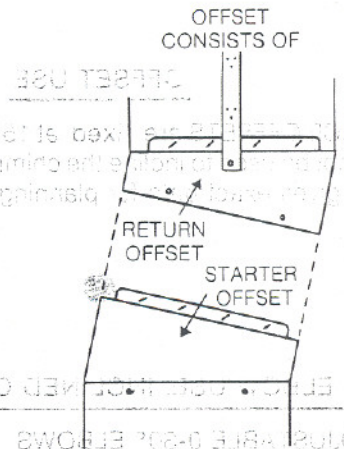


**INSTALLATION:** Assemble Starter Offset to Starter Section, mount assembly on fireplace. Secure with #8 x 1" screws supplied. If inclined Chimney will penetrate ceiling, see Firestop Spacer directions below. Otherwise, install Return Offset. (See Steps 8 & 9 of STEP-BY-STEP Instructions for regular vertical Firestop Spacer use.)

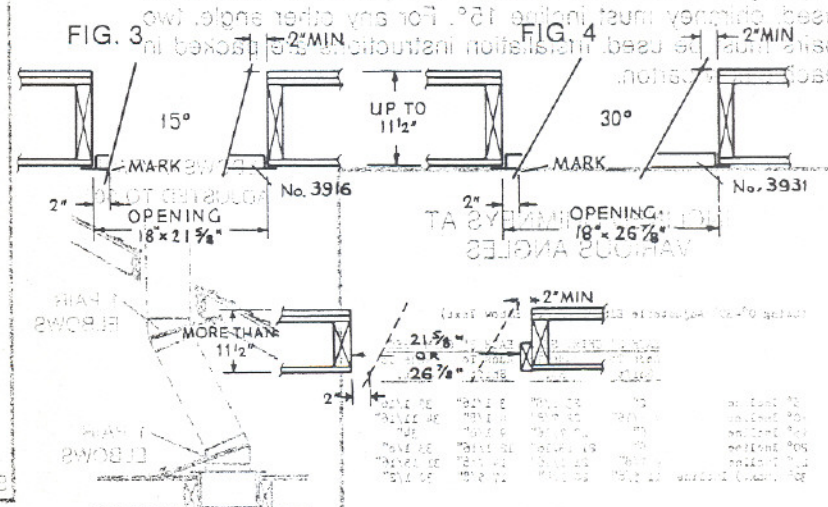
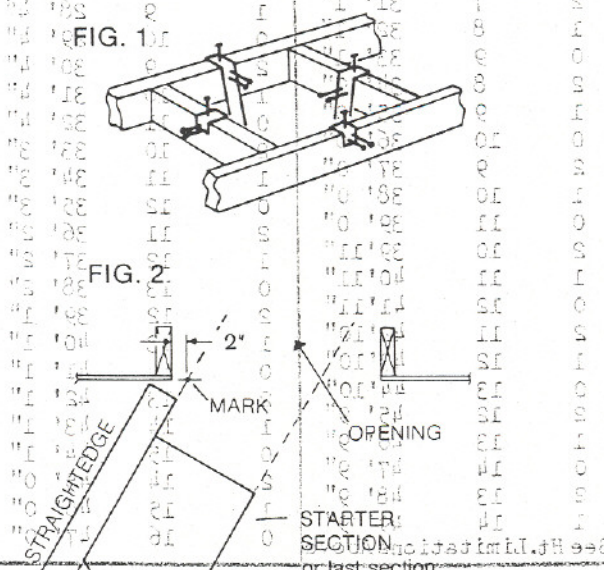
Nail Hanger straps to wood members of boxed opening (Fig. 1) using at least 3 nails per strap, min. 8-penny size. (Firestop Spacer installs "downward" when straps fasten to joists). If hanger straps are located where they cannot reach joists, install wood members appropriate for nailing.

**SPECIAL SUPPORT OFFSET NOTE:** When Return Offset Section mounts on regular Chimney Section (Cat. Nos. 912 or 913), punch or drill four holes 1/16" dia. in upper end of chimney, using holes in Support Offset as a guide. Be sure top surface of Return Offset is level when screw-fastened to section below so rest of chimney rises plumb.

**OVAL FIRESTOP SPACERS:** Using straightedge as illustrated (Fig. 2), mark point on ceiling where inclined chimney's "upper surface" will penetrate. Construct "Boxed" opening 18" wide by appropriate length. Opening begins 2" outside ceiling mark, as shown (Figs. 3 and 4).



## FIRESTOP SPACER DIRECTIONS



**NOTE:** For floors thicker than 11 1/2", construct opening longer than regular and fill in as shown to keep required 2" clearance.

# MARK 123 FIREPLACE

## GAS DEVICES

If desired, a gas log lighter (or gas log set) may be installed in the Mark 123 Fireplace. (Such devices are not made by Vega Industries Inc.) Installation should follow these directions and special attention should be given to any other information supplied with the gas device.

### OBSERVE THE FOLLOWING PRECAUTIONS:

- (a) Use only iron pipe,  $\frac{1}{2}$ " size, and appropriate iron fittings.
- (b) If installing a log lighter, use only a model having a valve designed for installation outside the fireplace. A removable key affords extra safety. (Such a model is shown in (Fig. 1).
- (c) Cap the pipe stub end in the chamber of the fireplace until the device is installed, or when device is removed for any reason.

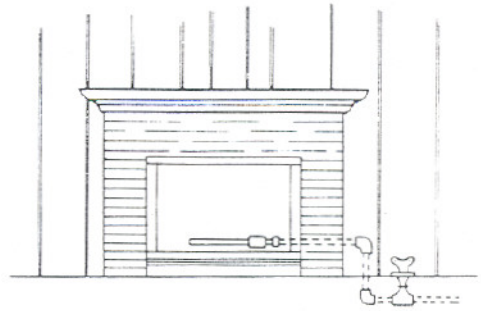


FIG. 1

### STEP — BY — STEP

1. Note the Tube Shield and Pry-disc shown in Fig. 2. Other parts of the fireplace are named for reference.
2. Remove Pry-disc from Wing Panel---with knife blade as shown in Fig. 3. Insert blade at rear, then pry forward.

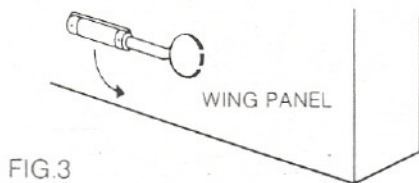


FIG. 3

3. From inside of fireplace, push length of pipe gently through pry-disc hole until pipe comes up against soft insulation, with which the tube shield is packed. Push insulation to outside---save it for re-use.
4. When gas line has been completed to a point just outside fireplace, install a nipple having length suitable to device. Add cap unless device to be installed now. Re-pack insulation in Tube Shield as shown in Fig. 4.

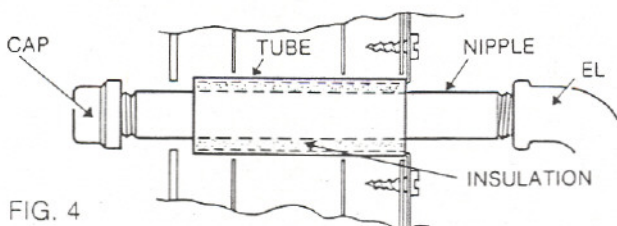


FIG. 4

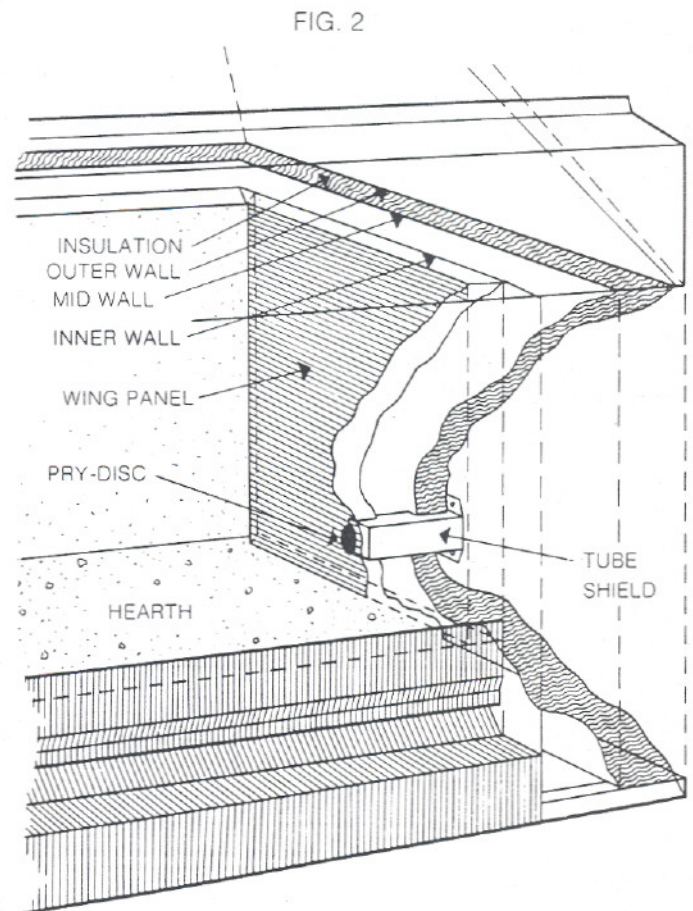


FIG. 2

# MARK 700 CHIMNEYS TERMINAL CAP

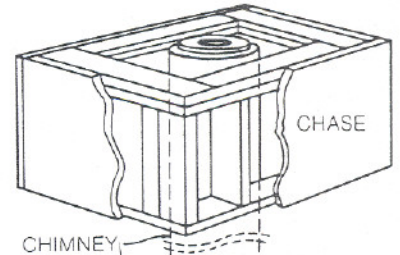
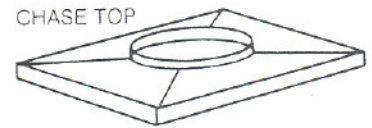
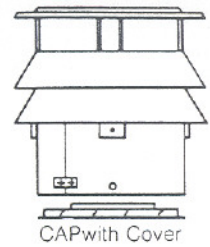
9" SIZE ---CAT. NO. 925

## DEFINITIONS:

The **TERMINAL CAP** (Cat. No.925) is a factory-built chimney cap used to complete the Mark 700 Chimney, in conjunction with a locally-constructed **CHASE TOP** which is installed on top of the built-on-site **CHASE**. The **CAP** includes a Chimney Cover which protects the uppermost chimney top end.

The **CHASE TOP** is weatherproof, permanent cover, constructed locally (not supplied by Vega Industries, Inc.) to specifications shown herein, and installed on top of the **CHASE**. The **CHASE TOP**, normally metal, has a Collar of 2" height for each chimney which will be contained within the **CHASE** each Collar located accurately relative to each chimney.

The **CHASE** is a hollow vertical enclosure, constructed as a permanent part of the building. The **CHASE** may be a relatively simple and small box-like construction for installation on a roof, as shown at right -- containing only the upper ends of chimneys. The **CHASE** however, may alternatively be located outside the general exterior walls of the building, be sized to contain one or more fireplaces as well as their chimneys, and be of a height which will satisfy the requirements of the building design and code requirements for chimney height-above-roof.



## 3 POINTERS——CHASE CONSTRUCTION

1. **SUPPORT** fireplace on full-area, level surface --as instructed in Paragraph 2, Page 1.
2. **INSULATE** beneath the level support area, and insulate all exterior walls of the chase, at least to first-ceiling height. (Insulating reduces heat loss, minimizes drafts.)
3. To provide increased protection against Chase becoming a cold cavity in winter when fireplace is not in use, install a "rough" but complete-area **CEILING** approximately 7'-8' above floor, with a **FIRESTOP—SPACER** properly inserted and fastened.

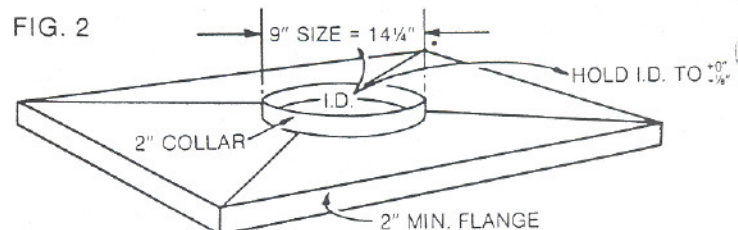
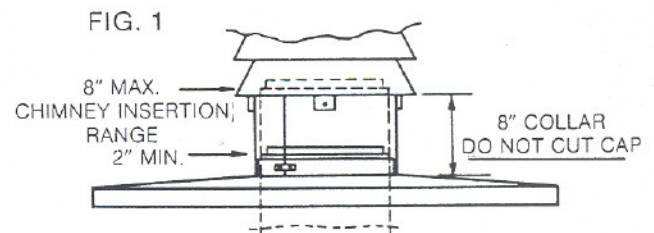
## GENERAL INFORMATION

1. The **TERMINAL CAP** completes the upper end of the Mark 700 Chimney. The topmost Chimney Section **MUST** end within the 6" height range of the Terminal Cap collar, as shown in Fig. 1. (It is necessary to utilize 3', 2' and 6" Chimney Sections in appropriate quantity to insure that the topmost Chimney Section ends within this range.)

2. The **CHIMNEY SECTIONS** must be installed so as to maintain a 2" minimum clearance to combustible construction.

3. Most codes require that "a chimney should extend at least 3' above the highest point where it passes through the roof and at least 2' higher than any portion of a building within 10ft." Consult local codes for requirements in your area. See also **HEIGHT**, next page.

4. The **CHASE TOP** is constructed as a flat or contoured cover, of metal or other non-combustible material, with width and length to suit the Chase dimensions. Its outer edge must have a down-turned flange of not less than 2" height. Careful attention to collar size in Fig.2 is recommended-note 2" collar height and collar diameter. (Detailed drawings for local fabrication of single or multiple chimney **CHASE TOPS** are available. Write for Vega Drawing Package #5.).



## ASSEMBLY AND CONSTRUCTION DETAILS

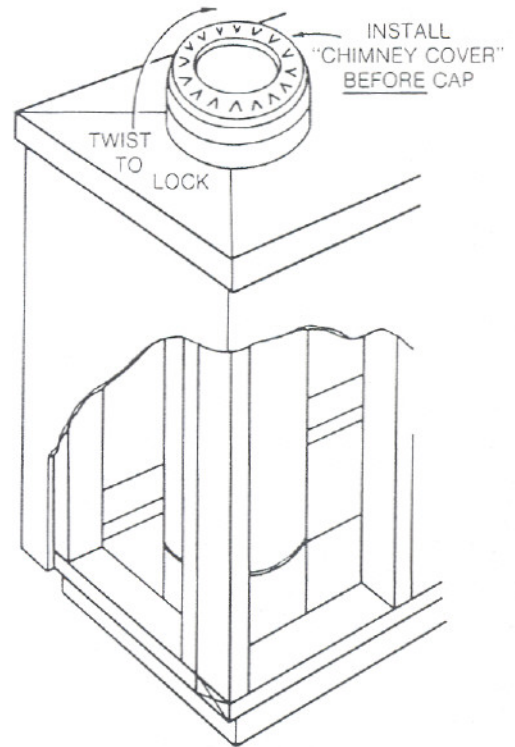
- One typical installation is illustrated below. A Sketch, an End View and a Curb Detail define the methods used --- in this instance, the CHASE is constructed of ordinary 2x4 lumber, covered with an exterior-grade sheathing material, and mounted on a typical curb for flat roof. One or several chimneys might be involved.

**TERMINAL CAP** is installed after Chimney Cover (see at left). With Cap in position on Chase Top Collar, tighten the locking bolt on 8" Cap Collar. Install the two 1" screws supplied so that they penetrate Cap, Chase Top Collar and Chimney Section.

**CHASE TOP**, normally of 24-ga. galvanized steel, or heavier, has collar and corners soldered watertight. Fasten by nailing down into Chase, using appropriate flashing nails with waterproof-sealed heads. There should be a slight crown built into large Chase Tops.

**CURB DETAIL** will vary for roof types and local practice. For sloped roof, or for installation straddling ridge, curb may be omitted and conventional flashing practice employed.

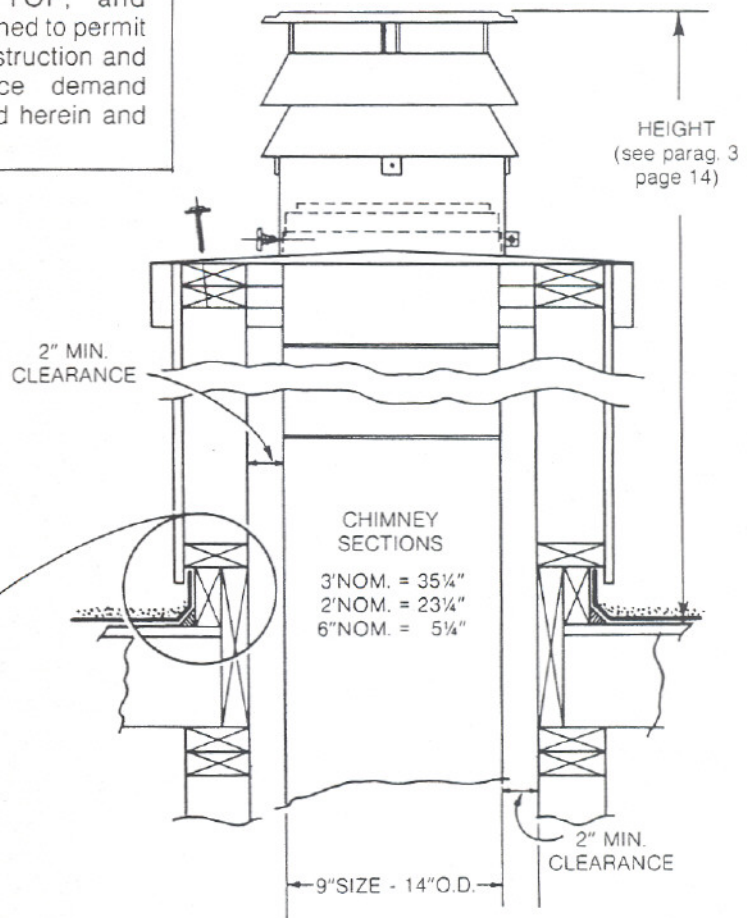
SKETCH



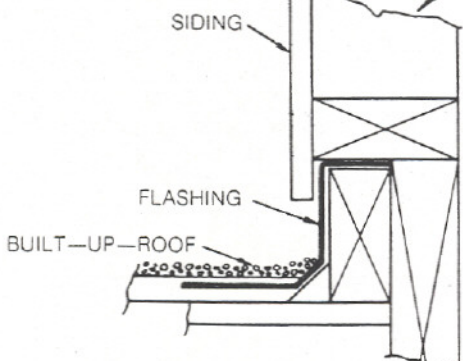
-----WARNING-----

These Directions (for CHASE, CHASE TOP, and TERMINAL CAP) have been carefully established to permit wide latitude in the employment of chase construction and location. However, safety and permanence demand adherence to REQUIREMENTS clearly stated herein and utilization of good materials installed with care.

END VIEW



CURB DETAIL



---WARNING---

As stated on Page 1 (Paragraph 14), take care that you DO NOT BLOCK OR ALTER IN ANY WAY THE COOLING AIR ENTRIES shown below by bold arrows (beneath hearth and along the top of fireplace screen). Also, INSTALL ONLY GLASS DOOR ASSEMBLIES MANUFACTURED BY VEGA INDUSTRIES, INC., WHICH ARE PLAINLY DESIGNATED AS APPROPRIATE AND SAFE FOR YOUR MODEL FIREPLACE—ONLY THESE SETS ARE DESIGNED AND TESTED TO MAINTAIN THE CORRECT COOLING AIR FLOWS SHOWN.

# installation directions

**heatilator**<sup>®</sup>  
AMERICA'S LEADING FIREPLACE SYSTEMS

**MARK 123  
FIREPLACE**

FRONT VIEW

