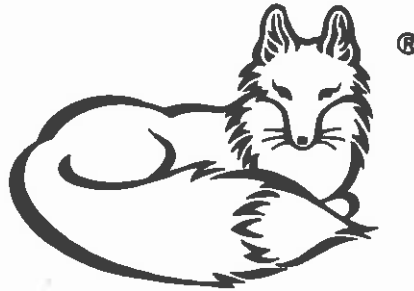
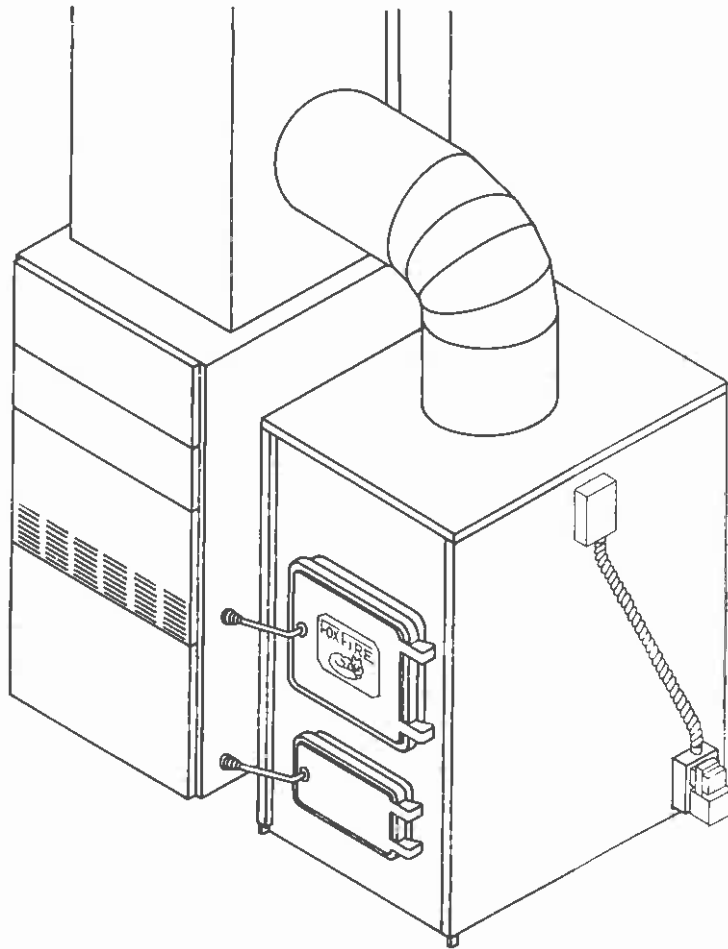


FOX FIRE



Owners Manual And Operation Instructions



Add-On-Furnace

Models F-200 & F-280

UNPACKING YOUR FOXFIRE ADD-ON-FURNACE

Fire brick, mounting hardware, blowers, controls, and wiring are packaged inside the furnace.

DO NOT DISCARD THE SHIPPING CARTON AND PACKING MATERIAL UNTIL ALL OF THE ABOVE PARTS ARE REMOVED.

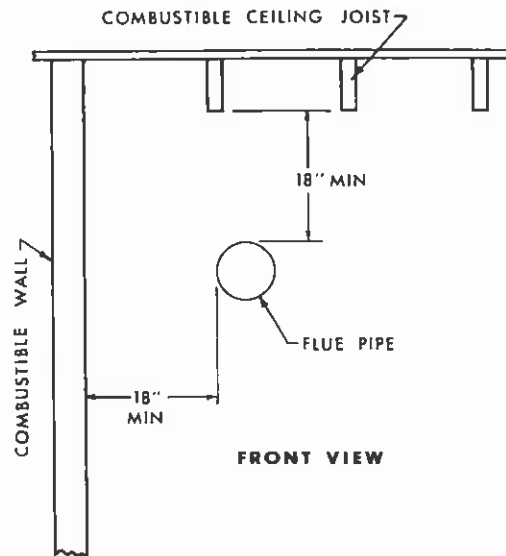
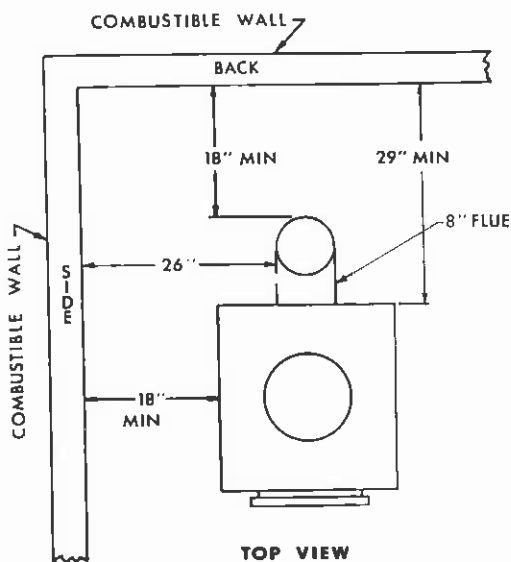
NOTE: Because of the oil coating on the surface of the steel and the new paint, it is advisable to initially fire your unit outdoors before installation of the unit to avoid the smoke and fumes from the first burning to enter your home.

LOCATING YOUR FOXFIRE ADD-ON-FURNACE

Your Foxfire Add-On-Furnace is a solid fuel burning device, and it will get very hot, along with the flue pipe to the chimney and the heat pipe to your present forced air furnace. It is important that there is adequate space between the Add-On-Furnace and combustible walls or other combustible materials. See drawing below for clearance distances. There should be adequate clearance in the front to allow easy access to the feed door and to remove the ash tray. There should also be adequate room between the Add-On-Furnace and your existing furnace, to pull the bottom of the side panel out a minimum of 5 inches in the event of an electrical power failure. (See special section on operating your Add-On-Furnace in the event of an electrical power failure, in this booklet.)

Nearby combustible surfaces must be cool enough so you can hold your hand on them while the furnace is in operation. The flue pipe must be at least 18 inches from any combustible surface (walls and ceiling joists). The sides of the furnace must be at least 18 inches from a combustible wall, the back must be at least 30 inches from a combustible wall and the furnace itself must be installed on a non-combustible floor.

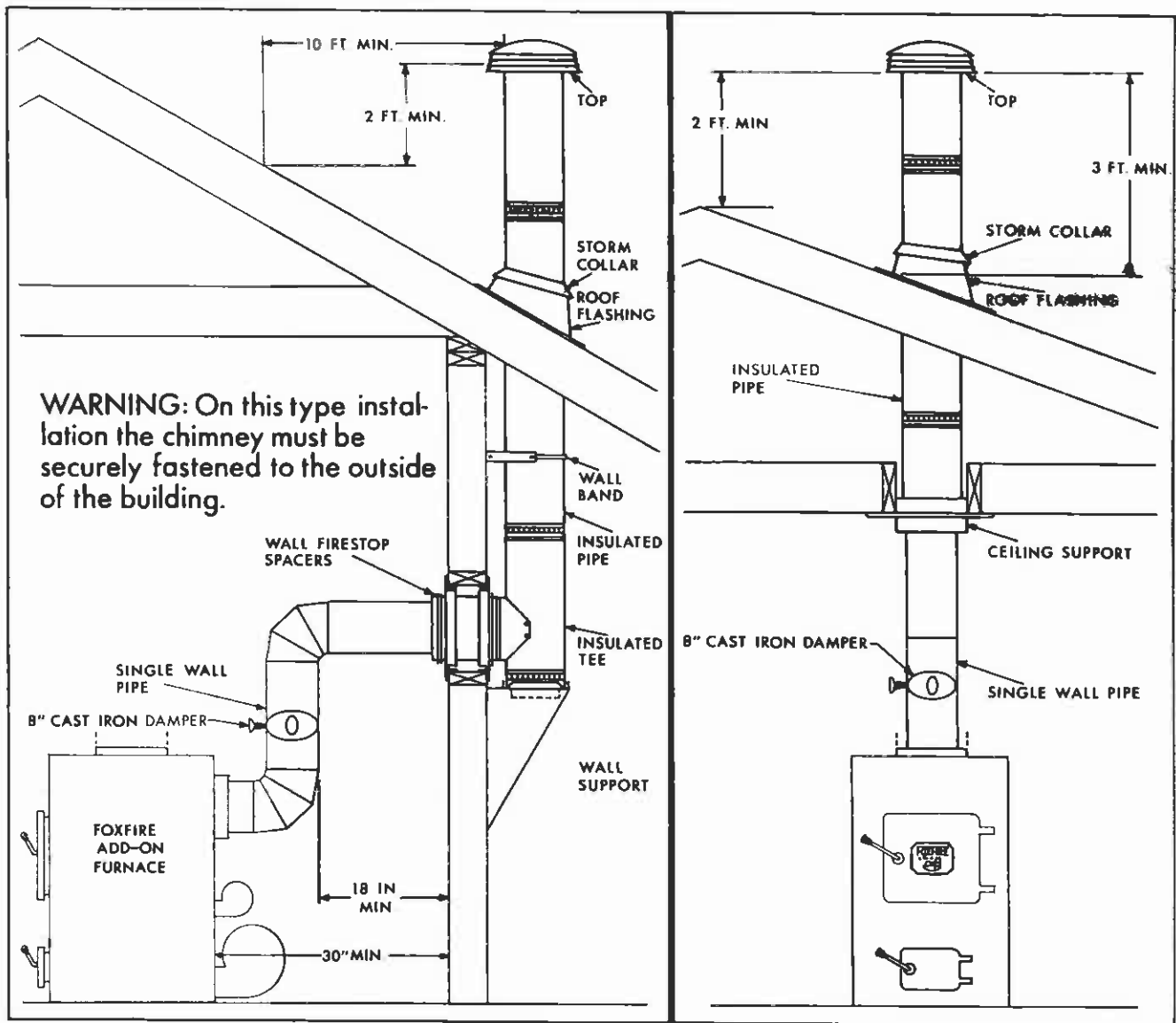
NOTE: The add-on furnace must be installed on a non-combustible floor.



INSTALLING YOUR FOXFIRE ADD-ON-FURNACE

VERY IMPORTANT:

We highly recommend a qualified heating specialist install your add-on-furnace. Your Foxfire Add-On-Furnace is a listed solid fuel burning appliance but you should check your local codes and ordinances with your building inspector or fire marshal first.



CONNECTING YOUR FOXFIRE ADD-ON-FURNACE TO THE CHIMNEY

IMPORTANT:

Your Foxfire Add-On-Furnace **MUST** be connected to a listed low heat appliance chimney, (Class "A" chimney, which consists of either a masonry chimney with a tile liner, or an insulated or multiple-walled pipe chimney.) Before making any connections to your chimney, check with your local building inspector, your fire marshall, or a reliable heating engineer, for the requirements in your area.

If your Foxfire Add-On-Furnace is connected to a poorly designed or defective chimney, it could hinder the proper function of the unit and cause other problems. A single brick wall chimney will chill rapidly causing creosote, plus, without a liner it is not a listed low heat appliance chimney. A single wall metal pipe should only be used to run the furnace to the chimney. **NEVER** use single wall metal pipe for the chimney itself.

Pipe installed outside or through a cool area inside should be insulated or multiple-walled to reduce creosote build-up caused by condensation of hot gases when coming in contact with a cold pipe. Factory built stacks are ideal for this purpose, plus they are easy to install through a wall or ceiling. Metalbesto or Bellvent are two types of factory built chimneys which are U.L. listed low heat appliance chimneys.

NFPA No. 211 requires factory built chimneys be laboratory listed and installed in accordance with the conditions of the listing and the manufacturer's instructions.

NFPA No. 211 also requires that your pipe extends at least three feet above the highest point it passes through the roof, and at least two feet higher than any portion of a building within ten feet of the factory built chimney.

THE EIGHT INCH FLUE PIPE

Your Foxfire Add-On-Furnace has an eight inch flue pipe outlet. You must have an eight inch hole below the flue pipe outlet chimney connection for your existing forced-air furnace. Venting two or more appliances into one chimney is not allowed in some areas. Check with your local building inspector before attempting to do this.

If no hole is present in the chimney, you will need to provide one. (Combining two flue pipes into one before going into the chimney is not recommended.) Consult your local building inspector, as codes from area to area may vary. The point of entrance into the chimney for your Foxfire Add-On-Furnace should be as high as possible, taking into consideration safe distances to surrounding surfaces.

The eight inch flue pipe should be 24 gauge or heavier black pipe, and should be installed with the crimped end down, to prevent any possible creosote formation from running down the outside of the pipe.

An eight inch cast iron damper must be installed between the chimney and your Foxfire Add-On-Furnace. Horizontal pipe should have no more than two (2) sweeping 90° elbows, as straight and short as possible, and have at least 1/4 inch rise to the linear foot. Be sure the pipe is easily accessible for cleaning. All pipe joints must be secured with at least three (3) metal screws.

NOTE: CREOSOTE — FORMATION AND NEED FOR REMOVAL.

When wood is burned slowly, it produces tar and other organic vapors, which combine with expelled moisture to form creosote. The creosote vapors condense in the relatively cool chimney flue of a slow-burning fire. As a result, creosote residue accumulates on the flue lining. When ignited this creosote makes an extremely hot fire.

The chimney connector and chimney should be inspected at least twice monthly during the heating season to determine if a creosote build-up has occurred.

If creosote has accumulated it should be removed to reduce the risk of a chimney fire.

INSTALLING THE UNIT AS A SPACE HEATER

When your Foxfire Add-On-Furnace is used as a supplementary furnace, the unit is connected in conjunction with a gas or oil furnace to ductwork which distributes the heated air to several rooms. When used as a space heater, heated air from the unit is expelled directly into the room in which the unit is located.

If you are going to install your Foxfire Add-On-Furnace as a space heater instead of an add-on-furnace the following instructions must be followed.

1. Locating your Foxfire Add-On-Furnace is the same as outlined earlier in this manual and must be followed.
2. Connecting your Foxfire Add-On-Furnace to the chimney is the same as before. All clearance distances are the same and must be adhered to. The National Fire Prevention Association recommends that wood-burning appliances vent into a separate chimney from gas or oil furnaces. You should check with your local building inspector to find out if a separate flue for a woodburner is required in your area.
3. The 12 inch diameter outlet on the top of the Add-On Furnace MUST NOT be reduced to a smaller size and must not be blocked.

NOTE: The add-on-furnace must be installed on a non-combustible floor.

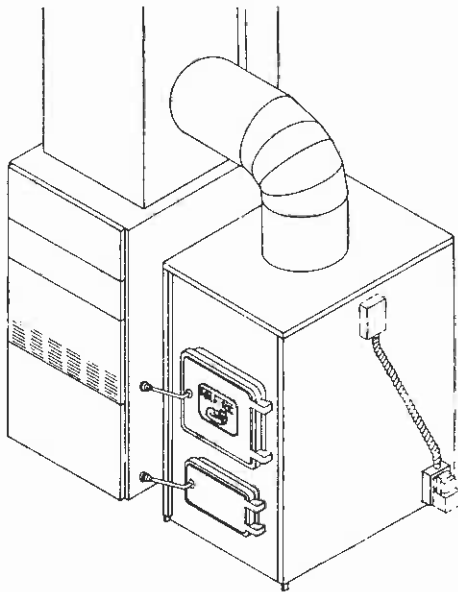
CONNECTING THE HOT AIR PIPE TO YOUR PRESENT DUCT WORK SYSTEM

The only acceptable furnace installation of your FOXFIRE as an add-on-furnace is parallel installation, as explained in this section. (NOTE: The unit may also be installed as a space heater as explained in another section of this booklet.)

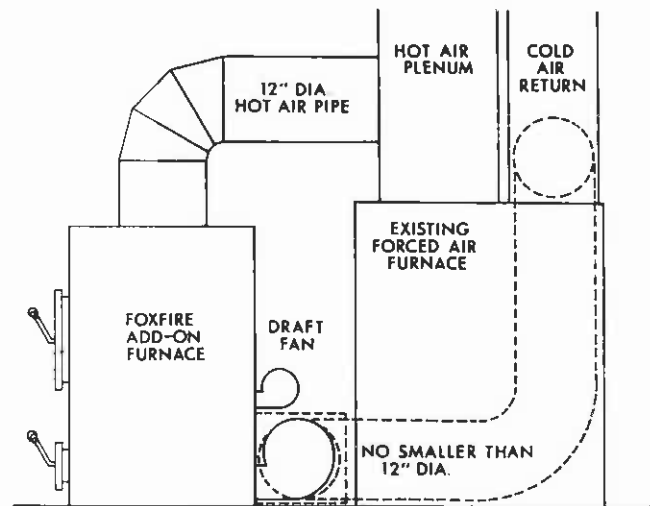
Because the force from the blower in your forced air furnace may drive hot air into your Foxfire Add-On-Furnace, it is recommended NOT to run the blower on your existing forced air furnace. To accomplish this turn the thermostat of your existing gas, oil, or electric furnace to a lower setting than the thermostat to your FOXFIRE add-on-furnace. (NOTE: Do not tamper with the wiring or the blower on your existing forced air furnace.)

It is important that before a hole is cut into the plenum or hot air chamber of your forced air furnace that the pipe is assembled and temporarily mounted on the hot air outlet of your Foxfire Add-On-Furnace. The pipe should be placed against the hot air plenum in a square and straight position.

When the pipe is in the proper position it should be held firmly and the plenum marked to insure straight and air tight installation. Next the hole should be carefully cut and a twelve (12) inch pipe adapter starting collar mounted and secured, and then the pipe fastened for an air tight fit at the joints. This can be accomplished by using duct tape.



NOTE: Do not enclose the draft fan into the cold air return box.



THE COLD AIR RETURN AND HOW TO CONNECT IT TO YOUR FOXFIRE ADD-ON-FURNACE

There may be enough cold air in your basement or furnace room for the blower to force around the hot air chamber of your Foxfire Add-On-Furnace and into the hot air plenum of your existing forced air furnace. Excellent heating results occur in most cases.

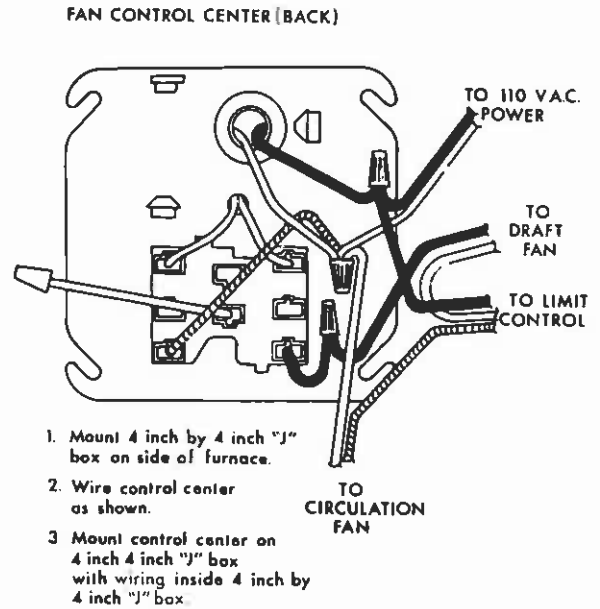
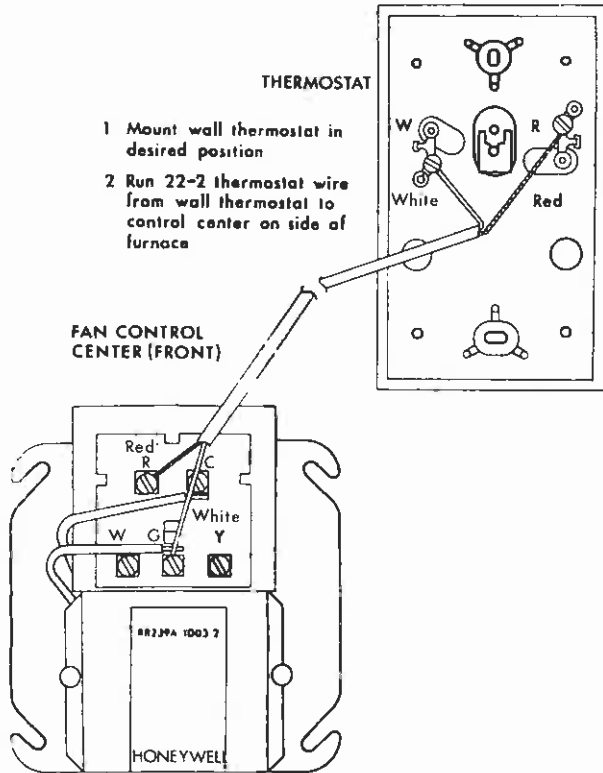
Should you discover that the performance of your Foxfire Add-On-Furnace is not satisfactory you may find it necessary to connect a cold air return box to the rear of your Foxfire Add-On-Furnace and pipe it to the present cold air return on your forced air furnace as shown in the drawing.

NOTE: The warm air supply outlet of your Foxfire Add-On-Furnace should not be connected to the cold-air return inlet of the central furnace because a possibility exists of components of the central furnace overheating and causing the central furnace to operate other than as intended.

THE ELECTRICAL WIRING

Study the wiring diagrams and make sure all existing local, state and federal codes are complied with.

DANGER: RISK OF ELECTRICAL SHOCK. DISCONNECT POWER BEFORE CONNECTION OF ELECTRICAL PARTS OR SERVICING UNIT.



FAN AND LIMIT CONTROL

