



**TRAVIS INDUSTRIES
HOUSE OF FIRE**

Lopi Door Shell

(Small Black - 99300195 Small Brass - 99300196 Small Pewter - 99300199)
(Large Black - 99300165 Large Brass - 99300166 Large Pewter - 99300169)
(Freedom Bay Black - 99300175 F. Bay Brass - 99300176 F. Bay Pewter 9930179)

Compatibility

- 2004 Lopi Answer ND (SKU 99700108)
- 2004 Lopi Endeavor ND (SKU 99800202)
- 2004 Lopi Revere ND (SKU 99800302)
- Lopi Parlor
- 2004 Lopi Freedom ND (SKU 99800152)
- 2004 Lopi Liberty ND (SKU 99800308)
- 2004 Lopi Freedom Bay ND (SKU 99800313)

Packing List

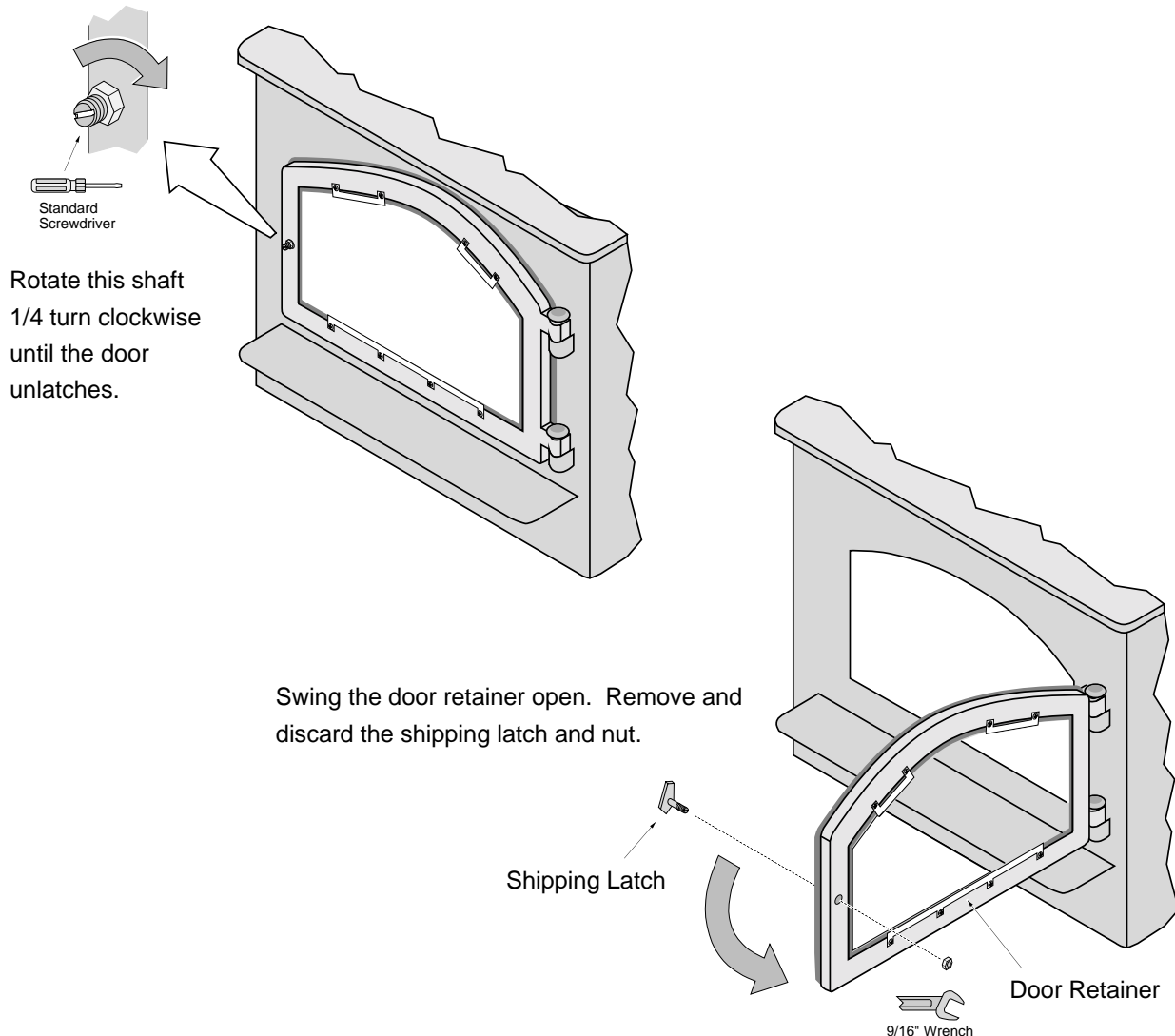
- Door Shell
- Door Handle (with Nut, Washers, and Cam)
- Ashlip Trim
- 1/16" and 1/8" Allen Wrenches
- Side Frames (Freedom Bay Only)

Tools Needed

- Standard Screwdriver
- 9/16" Wrench

Installation Instructions

1. Remove the door retainer shipping latch following the directions below.





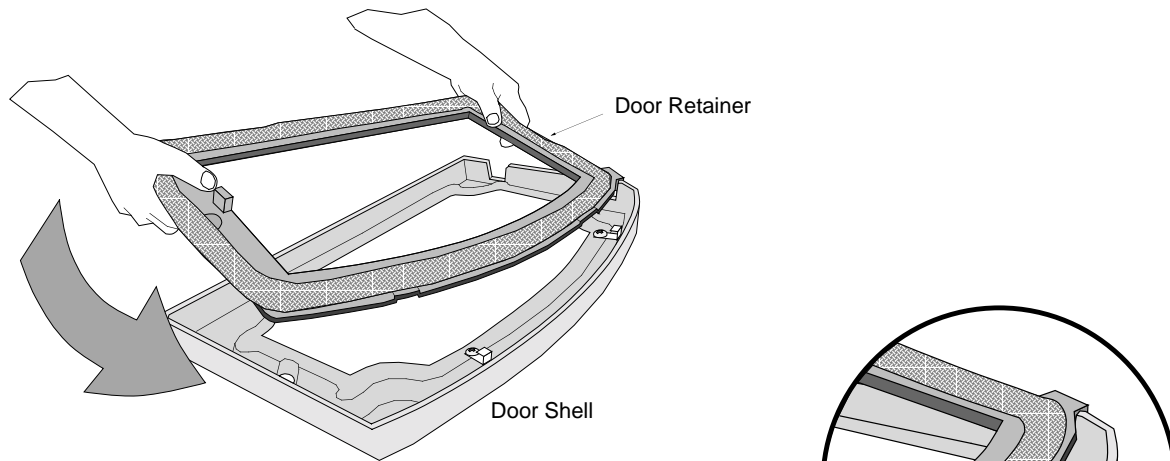
**TRAVIS INDUSTRIES
HOUSE OF FIRE**

Lopi Door Shell

(Small Black - 99300195 Small Brass - 99300196 Small Pewter - 99300199)
(Large Black - 99300165 Large Brass - 99300166 Large Pewter - 99300169)
(Freedom Bay Black - 99300175 F. Bay Brass - 99300176 F. Bay Pewter 9930179)

HINT: The door shell may be installed with the door in place. The following installation diagrams show the door removed. You may want to install the door shell with the door removed until you are familiar with the process.

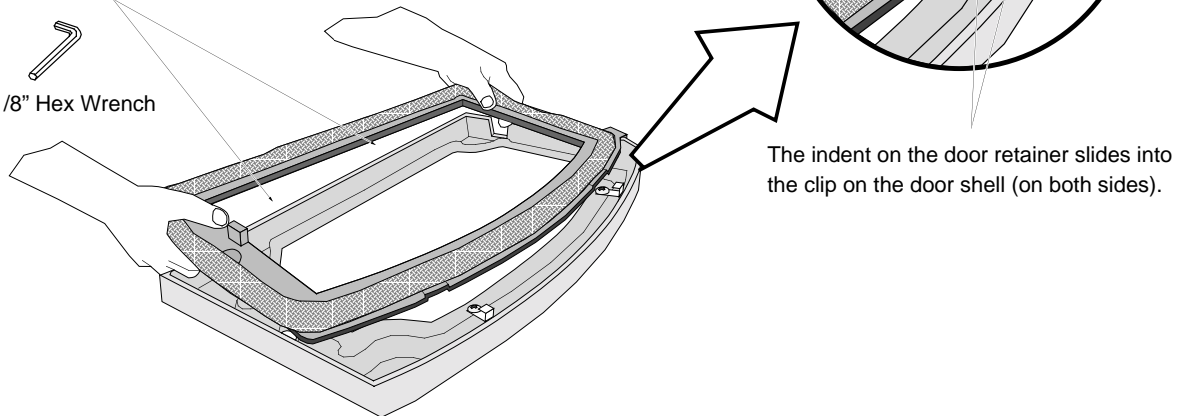
2. Place the door shell face down on a non-scratching surface. Lift the door retainer off the hinges. Insert the retainer into the door shell following the directions below. Note how the door shell is guided into place.



NOTE: The two set screws along the bottom of the door may need to be "backed out" if the door does not insert fully.



1/8" Hex Wrench



The indent on the door retainer slides into the clip on the door shell (on both sides).



**TRAVIS INDUSTRIES
HOUSE OF FIRE**

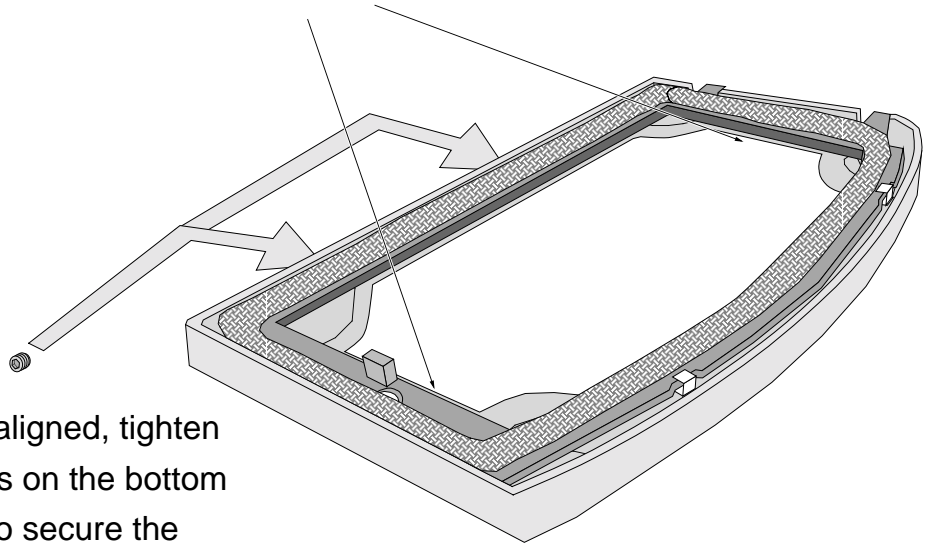
Lopi Door Shell

(Small Black - 99300195 Small Brass - 99300196 Small Pewter - 99300199)
(Large Black - 99300165 Large Brass - 99300166 Large Pewter - 99300169)
(Freedom Bay Black - 99300175 F. Bay Brass - 99300176 F. Bay Pewter 9930179)

3. Attach the retainer to the shell following the directions below.

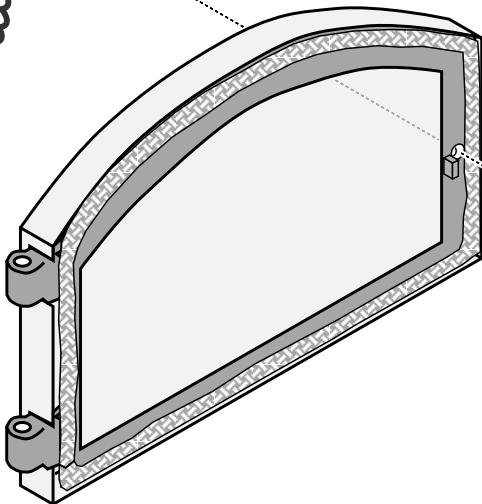
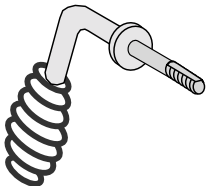
Make sure the door retainer is centered on the door shell.
You can gauge the alignment by looking at the gaps here.

1/8" Hex Wrench

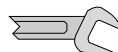
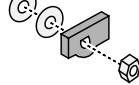


Once the door is aligned, tighten the two set screws on the bottom of the door shell to secure the door retainer.

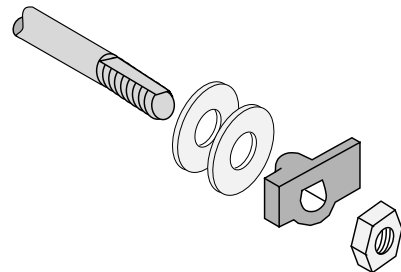
4. Attach the door handle following the directions below.



NOTE: in rare cases the door retainer may not line up with the door shell, preventing the door handle from lining up correctly. To adjust the position horizontally, loosen the set screws (see step 3) and adjust the door retainer position. To adjust vertically, remove the retainer and adjust the clips on the door shell (see step 2).



9/16" Wrench





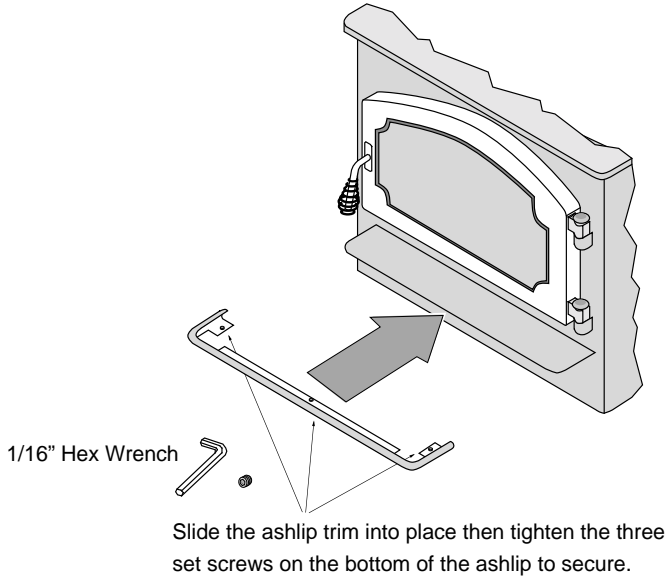
**TRAVIS INDUSTRIES
HOUSE OF FIRE**

Lopi Door Shell

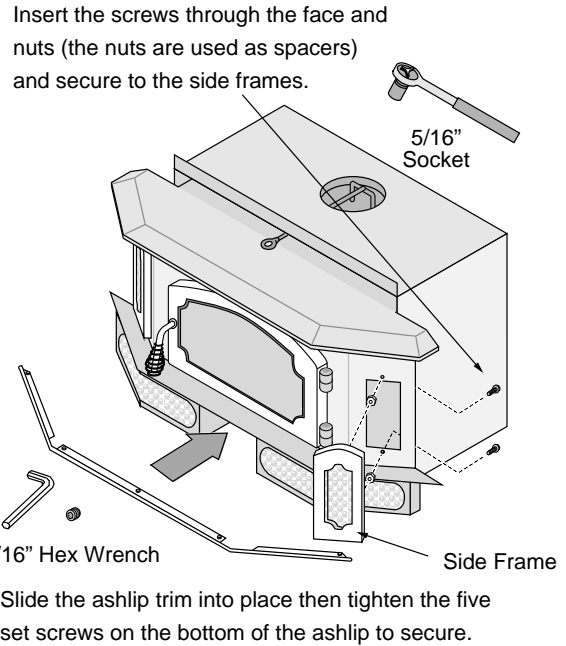
(Small Black - 99300195 Small Brass - 99300196 Small Pewter - 99300199)
(Large Black - 99300165 Large Brass - 99300166 Large Pewter - 99300169)
(Freedom Bay Black - 99300175 F. Bay Brass - 99300176 F. Bay Pewter 9930179)

5. Replace the door on the hinges and latch the door.
6. Attach the ashlip trim following the directions below.

All Models Except Freedom Bay:



Freedom Bay Installations:



Cleaning Instructions



Make sure the stove or fireplace insert has fully cooled prior to cleaning.

Black Doors

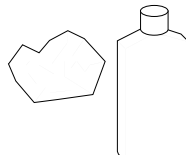
Black doors only require dusting. Wood stove touch-up paint may be used to improve the surface.

Brass Doors

The solid brass doors should be cleaned with Flitz® or other non-abrasive brass cleaner. Refer to the instructions included with the brass cleaner.

Plated Doors

Use denatured alcohol or a non-abrasive glass cleaner and a soft cloth to clean plated surfaces.



Anodized Trim

The anodized trim only requires dusting. If further cleaning is required, use denatured alcohol or a non-abrasive glass cleaner and a soft cloth.