

APPLIANCE PREPARATION

a. Log Set

The log set should look similar to that in Figure 22.



Figure 22 - Log Sets

b. Placing the Lava Rock and Vermiculite

See Figure 23 for lava rock and Figure 24 for vermiculite placement. It is not necessary to use the entire bag. Save the remaining for future use.



Figure 23 - Placing the Lava Rock



Figure 24 - Placing the Vermiculite

c. Placing the Rock Wool

Place a small amount of 1/2" diameter pieces (dime-size) of rock wool on the burner pan so that the rock wool touches but does not cover the holes in the burner pan. This will provide the "glowing embers" look. See Figure 25. It is not necessary to use the entire bag. Save the remaining rock wool for future use.



Figure 25 - Placing the Rock Wool

The first name in fireplaces

d. Placing the Fire Glow (not supplied)

Fire Glow (FIRE98) is a flame colorant material that adds to the realism of the gas appliance flame. After placing the rock wool in the appliance, sprinkle some of the fire glow on top of the rock wool. As with the lava rock, vermiculite and rock wool, it is not necessary to use the entire bag. Save the remaining Fire Glow for future use.

WARNING! RISK OF CARBON MONOXIDE!
Do not hit or strike glass. Do not operate this appliance with the glass removed, broken or not sealed.

6. GLASS AND SCREEN REPLACEMENT

See "Glass Cleaning."

7. CONTROL ACCESS PANEL PLACEMENT

Place the control access panel on pins as shown in Figure 26.



Figure 26 - Place the Control Access Panel

I. DETERMINING THE IGNITION TYPE

To determine whether your appliance is an intermittent pilot ignition or a standing pilot ignition, open the control access panel to examine the wiring system. If your system has a red ignitor button (as shown in Figure 27), you own a standing pilot ignition appliance. If no red ignitor button is present, you have an intermittent pilot ignition appliance.

You may also check the rating label located on the inside of the control access panel to determine ignition type.



Figure 27 - Standing Pilot Ignition

The first name in fireplaces

J. LIGHTING INSTRUCTIONS

1. INTERMITTENT PILOT IGNITION

**FOR YOUR SAFETY
READ BEFORE OPERATING**

WARNING!

If you do not follow these instructions exactly, a fire or explosion may result causing property damage, personal injury or loss of life.

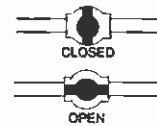
- A. This appliance is equipped with an ignition device which automatically lights the pilot. **Do not** try to light the pilot by hand.
- B. **BEFORE LIGHTING** smell all around the appliance area for gas. Be sure to smell next to the floor because some gas is heavier than air and will settle on the floor.
WHAT TO DO IF YOU SMELL GAS:
 - Do not try to light any appliance.
 - Do not touch any electric switch; do not use any phone in your building.
 - Immediately call your gas supplier from a neighbor's phone. Follow the supplier's instructions.
 - If you cannot reach your gas supplier, call the fire department.
- C. Use only your hand to close the gas line. Never use tools. If the knob will not push in or turn by hand, don't try to repair it; call a qualified service technician. Force or attempted repair may result in a fire or explosion.
- D. Do not use this appliance if any part has been under water. Immediately call a qualified service technician to inspect the appliance and to replace any part of the control system and any gas control which as been under water.

INTERMITTENT PILOT IGNITION LIGHTING INSTRUCTIONS

1. Turn wall switch to the OFF position.
2. This appliance is equipped with an ignition device which automatically lights the pilot. **Do not** try to light the pilot by hand.
3. Wait five minutes to clear out any gas. If you then smell gas, STOP! Follow "B" in the safety information above on this label. If you do not smell gas, go on to the next step.
4. Turn the wall switch to the ON position.
5. If the appliance will not operate, follow the instructions "TO TURN OFF THE GAS TO THE APPLIANCE" and call your service technician or gas supplier.
6. If using the battery pack and the appliance will not operate, check the batteries for sufficient charge and replace if necessary.

TO TURN OFF THE GAS TO THE APPLIANCE

1. Turn off the wall switch.
2. Open control access panel. Turn manual shutoff valve to the CLOSED position. Do NOT force.
3. Close control access panel.



The first name in fireplaces

2. STANDING PILOT IGNITION

**FOR YOUR SAFETY
READ BEFORE OPERATING**

WARNING!

If you do not follow these instructions exactly, a fire or explosion may result causing property damage, personal injury or loss of life.

- A. This gas appliance has a manual ignition device that lights the pilot. When lighting the pilot, follow these instructions exactly.
- B. **BEFORE LIGHTING** smell all around the appliance area for gas. Be sure to smell next to the floor because some gas is heavier than air and will settle on the floor

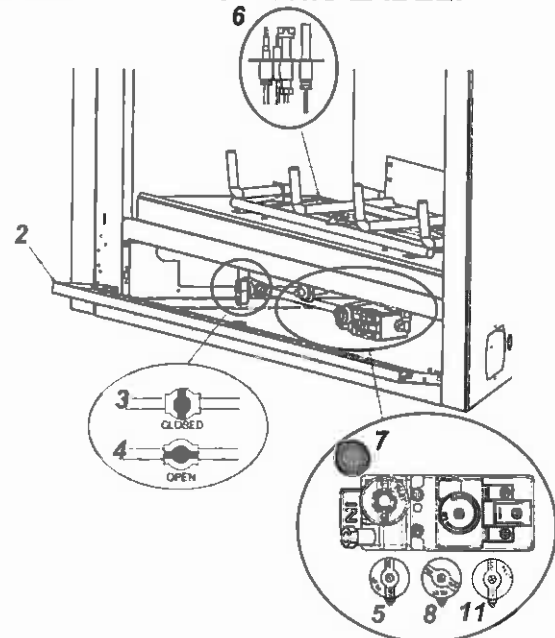
WHAT TO DO IF YOU SMELL GAS

- Do not try to light any appliance.
 - Do not touch any electric switch; do not use any phone in your building.
 - Immediately call your gas supplier from a neighbor's phone. Follow the supplier's instructions.
 - If you cannot reach your gas supplier, call the fire department.
- C. Use only your hand to push in or turn the gas control knob to light the pilot. Never use tools. If the knob will not push in or turn by hand, don't try to repair it - call a qualified service technician. Force or attempted repair may result in a fire or explosion.
 - D. Do not use the appliance if any part has been under water. Immediately call a qualified service technician to inspect the appliance and to replace any part of the control system and any gas control which has been under water.

LIGHTING INSTRUCTIONS

STOP! READ THE SAFETY INFORMATION ABOVE ON THIS LABEL!

1. Turn wall switch to the "OFF" position or set thermostat to lowest setting.
2. Open control access panel.
3. Turn manual shutoff valve to "CLOSED". Wait 5 minutes to clear out any gas. Then smell for gas, including near the floor. If you smell gas, STOP! Follow "B" in the safety information above on this label. If you don't smell gas, go to the next step.
4. Turn manual shutoff valve to "OPEN".
5. Turn pilot knob clockwise to "OFF". Knob may have to be depressed to pass the "PILOT" position.
6. Locate pilot assembly inside the appliance.
7. Locate red ignitor button.
8. Turn pilot knob to "PILOT" and push in.
9. Continue to hold in pilot knob and push the red ignitor button 12-15 times until small blue pilot flame appears.
10. Continue to hold in pilot knob for approximately one minute. Pilot should remain lit. If pilot goes out, wait 5 minutes and repeat Steps 4-9.
11. Release and turn the knob counterclockwise to "ON". To light main burner, turn wall switch to "ON". Do not light by hand.
12. If the appliance will not operate, follow the instructions "To Turn Off Gas To Appliance" and call your service technician or gas supplier.



TO TURN OFF GAS TO APPLIANCE

1. Turn off the wall switch or set the thermostat to the lowest setting.
2. Open the control access panel.
3. Turn the manual shutoff valve to the "CLOSED" position. Do not force.
4. Close the control access panel.

K. SEASONAL CHECK LIST

WARNING!

Children and adults should be alerted to the hazards of high surface temperatures and should stay away to avoid burns or clothing ignition. Young children should be carefully supervised when they are in the same room as the appliance.

CAUTION:

Any safety screen or guard removed for servicing this appliance must be replaced prior to operating this appliance.

Clothing or other flammable material should not be placed on or near the appliance.

Note: Installation and repair should be done by a qualified service person. The appliance should be inspected before use and at least annually by a qualified service person. More frequent cleaning may be required due to excessive lint from carpeting, bedding material, etc. It is imperative that control compartments, burners and circulating air passageways of the appliance be kept clean.

BEFORE OPERATING THIS APPLIANCE HAVE A QUALIFIED TECHNICIAN:

- * Review proper placement of logs, rock wool, lava rock, and vermiculite.
- * Check the wiring.
- * Check the air shutter adjustment.
- * Ensure that there are no gas leaks.
- * Ensure that the glass is sealed and in the proper position.
- * Ensure that the flow of combustion and ventilation air is not obstructed.

WARNING!

Keep the area near the appliance clear and free of combustible materials, gasoline and other flammable vapors and liquids.

1. STANDING PILOT OPERATION

Hearth & Home Technologies recommends you leave the pilot on year round.

- a. **Lighting the appliance during regular use:** Turn the wall switch to "ON".
- b. **Shutdown during regular use:** Turn the wall switch to "OFF".

- c. **To shut down the appliance for a long period of time:**
 - 1) Turn all wall switches to "OFF".
 - 2) Turn pilot knob on valve to "OFF".
 - 3) Turn the manual shutoff valve to "CLOSED".
 - 4) To relight the pilot and appliance, see page 20.

2. INTERMITTENT PILOT IGNITION OPERATION

- a. **Lighting the appliance during regular use:** Turn the wall switch to "ON".
- b. **Shutdown during regular use:** Turn the wall switch to "OFF".
- c. **To shut down the appliance for a long period of time:**
 - 1) Turn all wall switches to "OFF".
 - 2) Turn the manual shutoff valve to "CLOSED".
 - 3) To relight the appliance, see page 19.

3. FUEL

- a. Do not burn wood or other material in the appliance.
- b. Natural or propane gas conversions necessary to meet the application need to be made by a qualified technician using Hearth & Home Technologies brand specified and approved parts.
- c. In the event your standing pilot appliance must be converted to use propane, you must use a CKVP conversion kit. To convert to use natural gas, you must use a CKVN conversion kit.
- d. If your intermittent pilot appliance must be converted to use propane, you must use a DCKVP conversion kit. To convert to use natural gas, use a DCKVN conversion kit.

The first name in fireplaces

4. OUTSIDE AIR KIT OPERATION

The outside air kit should be purchased with this appliance. The outside air kit helps to decrease the amount of room air taken, by utilizing outside air for combustion. It is strongly recommended that it be installed.

To operate the outside air kit, before starting the appliance, open the control access panel. Grasp the small, black handle located on the left side of the appliance, just below the glass channel. See Figure 28. Lift the handle out of its slot and pull towards the front. The outside air door should open. Replace the handle back in the slot on the bracket from which it was removed (so the outside air door remains open) and close the control access panel. When through burning the appliance, open the panel, grasp the handle and push the outside air door closed.

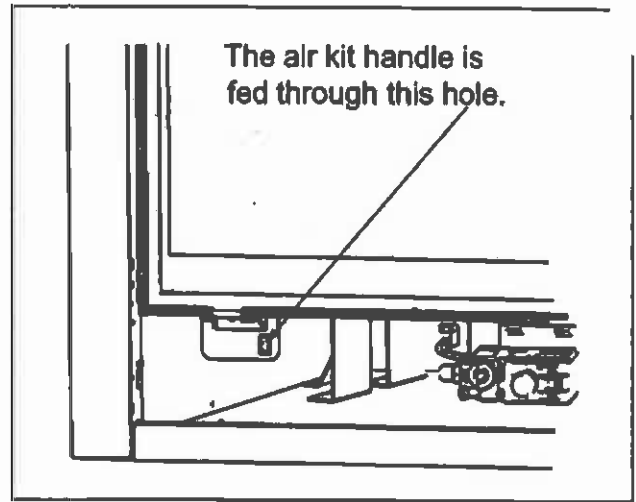


Figure 28 - Outside Air Kit Operation

WARNING!

Do not use this appliance if any part has been under water. Immediately call a qualified service technician to inspect the appliance and to replace any part of the control system and any gas control which has been under water.

WARNING!

Never use gasoline, gasoline-type lantern fuel, kerosene, charcoal lighter fluid or similar liquids in this appliance. Keep any flammable liquids a safe distance from the appliance.

WARNING!

Keep the area near the appliance clear and free of combustible materials, gasoline and other flammable vapors and liquids.

L. MAINTENANCE INSTRUCTIONS

1. ANNUAL MAINTENANCE

To ensure that your appliance operates in a safe and efficient manner, your appliance needs to be inspected at least on an annual basis by a qualified field service person. Like any gas appliance, it must be tuned up to ensure optimum performance.

2. CLEANING THE BURNER AND CONTROL COMPARTMENT

Keep the burner and control compartment clean by brushing and vacuuming at least once a year. Failure to do this may shorten the fan's life. Always turn off the wall and the gas valve before cleaning.

3. CHECKING FLAME PATTERNS

- a. Check the flame of the burner periodically, making sure the flames are steady, not lifting or floating. The flame color should be blue with yellow tips. The sensor (intermittent pilot) or thermopile/thermocouple (standing pilot) should be covered with flame from the pilot. See Figures 29-30.
 - **Correct** - Flames should be blue at the base, yellow-orange at the top.
 - **Not Enough Air** - The flames are tall or sooty on the ends. Open the air shutter.
 - **Too Much Air** - The flames are all blue, short and transparent. Close the air shutter.

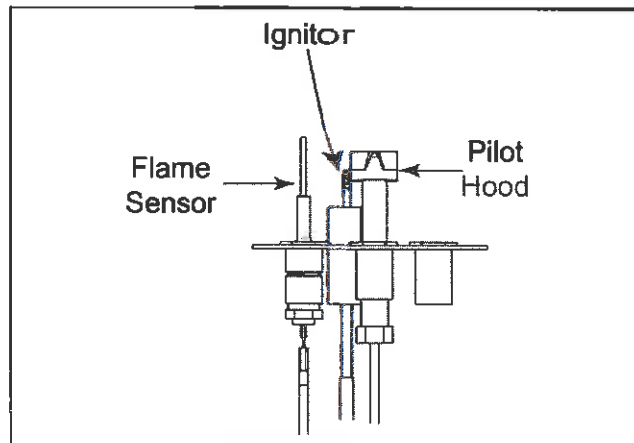


Figure 29 - Intermittent Pilot Ignition Assembly

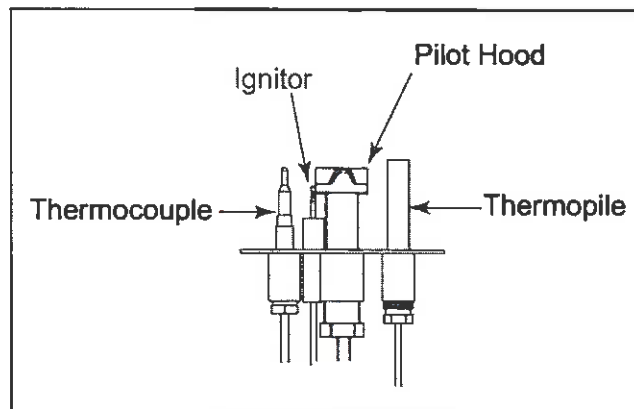


Figure 30 - Standing Pilot Ignition Assembly

The first name in fireplaces

The first name in fireplaces

- b. If the vent configuration is installed incorrectly, the vent may cause the flames inside the appliance to lift or "ghost," which is a dangerous situation. Inspect the flames after installation to ensure proper performance. If the vent configuration is correct, yet the flames are lifting or ghosting, shut off the gas to the appliance and contact the dealer.
- c. To reduce the possibility of soot, we have provided your appliance with an adjustable air shutter. See Figure 31. Your air shutter is provided in the closed position for natural gas and in the open position for propane. In the event soot is accumulating in your appliance, the air shutter should be opened farther. This can be done by opening the control access panel and locating the two wing studs and two wing nuts attaching the valve assembly to the firebox. Remove the wing nuts and wing studs, slide the valve assembly to the left and lower. Rotate the valve assembly horizontally and remove from underneath the appliance. See Figure 32.

Note: To avoid damage to the pilot assembly, remove the valve assembly pilot side first. See Figure 32

Locate the air shutter mounted on the end of the main burner. Loosen the locking screw, open the air shutter, and retighten the locking screw. Replace the valve assembly, wing nuts and wing studs as removed, making sure to line the orifice up with the main burner neck.

4. VENTING SYSTEM INSPECTION

The appliance and venting system should be inspected before use, and at least annually, by a qualified field service person, to ensure that the flow of combustion and ventilation air is not obstructed.

5. CLEANING THE GLASS (See Figure 33)

In the event of glass breakage, carefully remove the glass frame. This will allow the removal of all glass fragments and sheet metal edge protection strips. Vacuum all remaining glass pieces with a shop vac. **DO NOT VACUUM IF THE PIECES ARE HOT!**

Replace glass with only a Heatilator Glass Panel Assembly ordered through your local distributor. Never use substitute material. Only fully tempered soda lime safety glass or ceramic glass may be used on this appliance.



Figure 31 - Air Shutter Adjustment



Figure 32 - Removing the Valve Assembly

WARNING!

NEVER operate this appliance without the glass properly secured in place or if the glass is broken or chipped.