

**BEDROOM
APPROVED!**

COMFORTEC™

Product Fact Sheet

Model: **CDV34**

Box Size:

| | |
|------------------------------------|-----------|
| Front Width | 36 1/4" |
| Rear Width | 19 7/8" |
| Depth | 14 11/16" |
| Height | 34 3/8" |
| Height (Including Standoffs) | 36" |

Specification Data:

| | |
|---------------------------------|-----------------------------------|
| Fuel | Natural or Propane Gas |
| BTU Input | Natural 20,000/ Propane 18,000 |
| BTU Output | Natural 15,000/ Propane 13,500 |
| Flue Size | 7" Outer Vent with 4" Flue Vent |
| Ignition System | Piezo |
| Valve | Robertshaw with Millivolt Control |
| Clearance to Combustibles | Zero |
| Clearance to Flue | Side 1", Top 2", Bottom 1" |

The CDV34 is a Rear Vent Direct Vent --
No Screen Required over Ceramic Glass --
Safety Combustion Relief Door...!

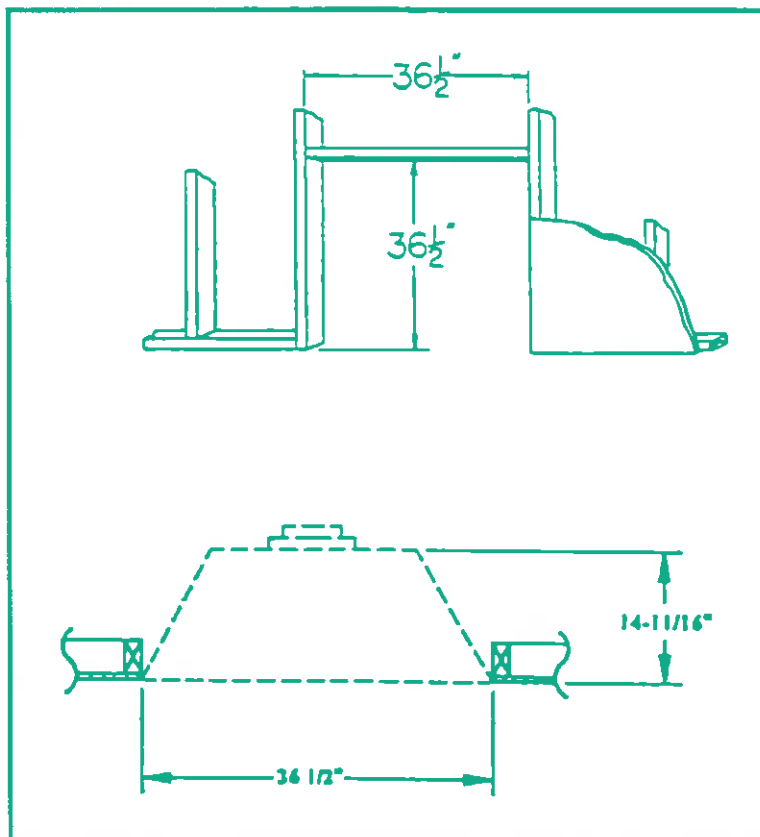
Features:

- Five Year Warranty
- Ceramic Glass
- Wall Mount Remote Switch
(No Electricity Required)
- Five Bark Texture Logs
- Aluminized Steel Burn Chamber
- Mobile Home Approved
- Bedroom Approved
- Flame Safety Switch
- Safety Combustion Relief Door
- Right or Left Side Gas Hook-up

Options:

- Hand-held Cordless Remote Control
- 125 CFM Variable Speed Blower
- Polished Brass Arch Trim Kit
- Polished Brass Decorative Trim Kit
- Polished Brass Wide Trim Kit
- Antique Brass Decorative Trim Kit
- Polished Chrome Decorative Trim Kit
- Brass Bar Kit
- Rear Vent Termination Kit
- 45° Elbow for Corner Installation
- Siding Shield for use with Vinyl Siding

Framing Dimensions:



Orrville Products, 375 East Orr Street, P.O. Box 902, Orrville, Ohio 44667
Phone (216) 683-4010 or (800) 722-4010