



PRODUCT SPECIFICATIONS SB4800/SB4800HB* RADIANT WOOD BURNING



SB4800

INTERIOR DIMENSIONS

Front opening width - 38"
 Front opening height- 27"
 Rear Wall Width - 28"
 Firebox Depth - 22"

TECHNICAL INFORMATION

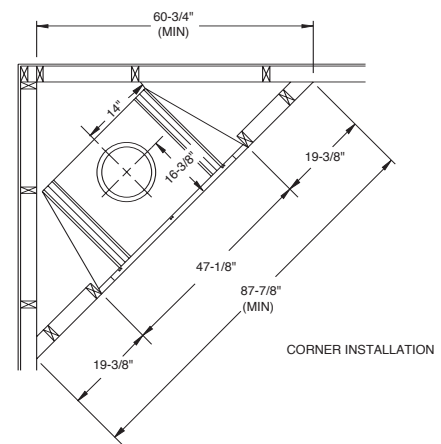
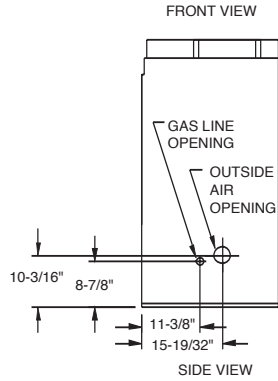
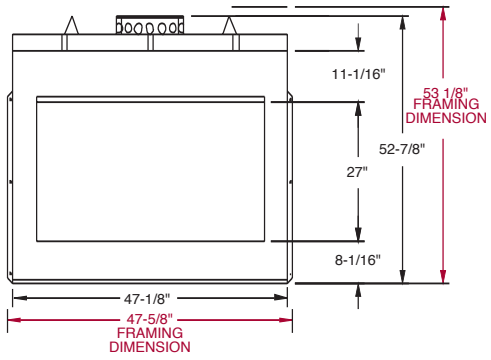
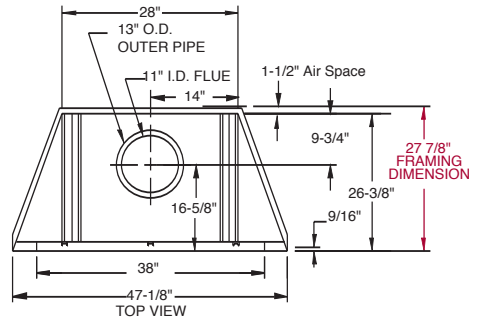
Flue Series (Std.) - "L" Series Double Wall
 Flue Size - 11" Inner; 13" Outer
 Clearance on Flue - 2"
 Firestop Framing - 17" x 17"
 Minimum Flue Height - 15'
 Maximum Flue Height - 86'
 Minimum Height with 2 Elbows - 15'
 Minimum Height with 4 Elbows - 21'
 Clearance on Fireplace - 1-1/2"
 Minimum Hearth Size (D x L)- 20" x 68"
 UL Design Certified

FACTORY INSTALLED OPTIONS

Refractory Firebrick - SB4800
 Refractory Herringbone Firebrick - SB4800HB

FIELD INSTALLED ACCESSORIES

Glass Doors - GDPB48 (polished brass finish),
 GDB48 (black)
 Outside Air Kit - AK4, FP4U, 403
 Terminations(Std.) - "L" Series
 LC, LCL, CF11, SQ8, LFSQT, LPC



Framing dimensions in illustrations accommodate 1/2" finishing material.

* HB=Herringbone brick pattern.

To avoid personal injury or property damage, the product described by this brochure must be installed, operated and maintained in strict compliance with the instructions packaged with the product and all applicable building or fire codes. Contact local building or fire officials about restrictions and installation inspection requirements. All photographs and drawings on this brochure are for illustrative purposes only and are not intended for, nor should they be used as a substitute for the instructions packaged with the unit. Appearance and specifications of the product are subject to change without notice. 6/05

PRODUCT SPECIFICATIONS SB5400/SB5400HB* RADIANT WOOD BURNING

INTERIOR DIMENSIONS

Front opening width - 44"
Front opening height- 27"
Rear Wall Width - 34"
Firebox Depth - 22"

TECHNICAL INFORMATION

Flue Series (Std.) - "L" Series Double Wall
Flue Size - 11" Inner; 13" Outer
Clearance on Flue - 2"
Firestop Framing - 17" x 17"
Minimum Flue Height - 15'
Maximum Flue Height - 86'
Minimum Height with 2 Elbows - 15'
Minimum Height with 4 Elbows - 21'
Clearance on Fireplace - 1-1/2"
Minimum Hearth Size (D x L)- 20" x 68"
UL Design Certified

FACTORY INSTALLED OPTIONS

Refractory Firebrick - SB5400
Refractory Herringbone Firebrick - SB5400HB

FIELD INSTALLED ACCESSORIES

Glass Doors - GDPB54 (polished brass finish),
GDB54 (black), GD54SS (stainless)
Outside Air Kit - AK4, FP4U, 403
Terminations(Std.) - "L" Series
LC, LCL, CF11, SQ8, LFSQT, LPC

Framing dimensions in illustrations
accommodate 1/2" finishing material.

* HB=Herringbone brick pattern.

To avoid personal injury or property damage, the product described by this brochure must be installed, operated and maintained in strict compliance with the instructions packaged with the product and all applicable building or fire codes. Contact local building or fire officials about restrictions and installation inspection requirements. All photographs and drawings on this brochure are for illustrative purposes only and are not intended for, nor should they be used as a substitute for the instructions packaged with the unit. Appearance and specifications of the product are subject to change without notice. 6/05