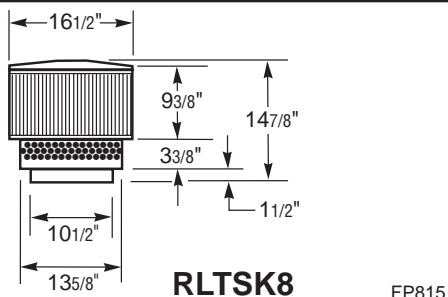
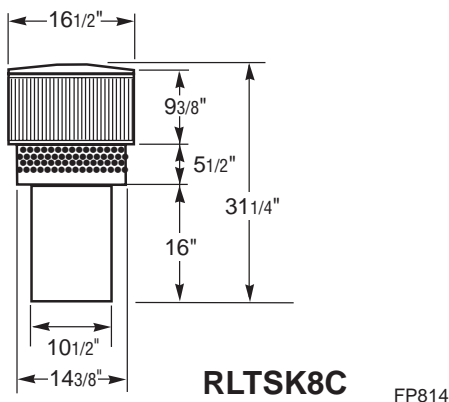


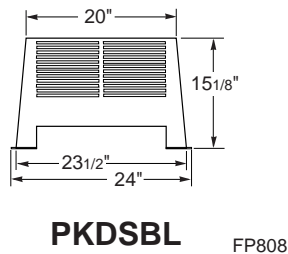
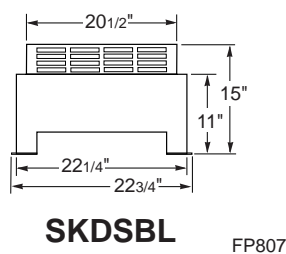
CONTEMPORARY TERMINATIONS



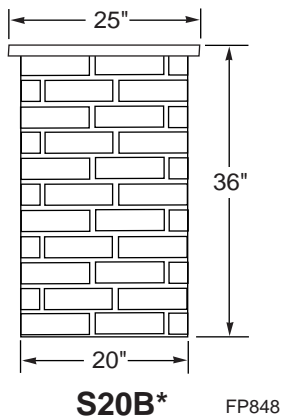
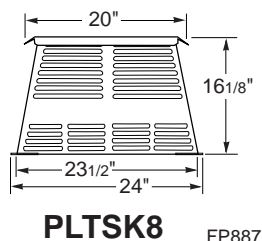
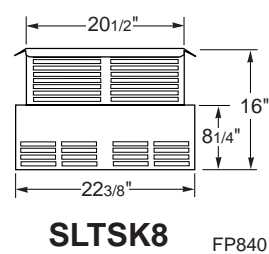
CONTEMPORARY CHASE TERMINATIONS



SHROUDS



TRADITIONAL CHASE TOP/HOUSING



*Chimney Extension (202036) is an option to extend the S20B 36 inches higher. S20B must be used with SLTSK8 or PLTSK8.

FIREPLACE FACTS

WMC36 WARMMAJIC® SERIES

Heat producing deluxe 36-inch heat circulating model firebox . Larger than most competitive 36-inch fireplaces.

FEATURES:

- 36-Inch Wide x 21 Inch High Firebox Opening
- 492 Square Inch Hearth Area
- 33,500 to 42,200 BTU's/HR* Heat Output
- Full Refractory Lined Firebox
- Fully Insulated Construction
- Outside Air Kit and Fan System with Speed Control
- Glass Bi-fold Doors

MINIMUM FLOOR AREA: • 40" W X 22 1/2" D

MINIMUM NON-COMBUSTIBLE HEARTH EXTENSION AREA:

- 48" W x 16" D
 - Requires 1/2" thick Majestic EH2416 Insulation Board Between Combustible Floor and Non-Combustible Covering

OPTIONAL ACCESSORIES:

- AK-MST - Outside Air Kit Termination (includes collar & cap)
 - 4" Rd. Class 1 Duct (Not Supplied)
 - 40 Ft. Maximum Run
 - (4) 90° Elbows Maximum (Not Supplied)
- Wood Mantels, Trim Kits and Mantel Shelves (See Mantel Section)
 - 12" Minimum Clearance Above Top Grille

OPTIONAL GLASS DOORS

- 36GDKDP Standard Bi-fold Polished Brass with Black Track
- 36GDKBB Glass Bi-fold Kit Brushed Brass with Black Track
- 36GDKBK Glass Bi-fold Kit Black with Black Track
- 36GDKS Standard Bi-fold Pewter with Black Track

FLUE SYSTEM

8" TWO-WALL 'SK' SYSTEM

SPECIFICATION:

- 8" I.D.
- 11" O.D.
- 2" Clearance to Combustible Materials
- 14 1/2" x 14 1/2" Minimum Roof/Ceiling Opening

MIN./MAX. INSTALLATION HEIGHTS:

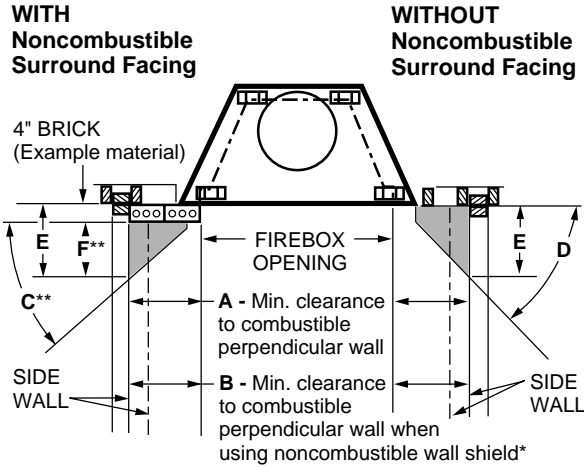
- | | |
|--------------------------------|---------------|
| Maximum - | 90 Ft.- 0 In. |
| Minimum - | |
| Straight-Up (Without Elbows) | 14 Ft. 6 In. |
| With 2 Elbows* | 17 Ft. 6 In. |
| With 4 Elbows* | 21 Ft. 0 In. |
| *Maximum Total Offset - 20 Ft. | |

The Fireplace Facts Information Sheets are for quick reference only and are subject to change without notice. Actual fireplace instructions must abide by specifications provided with each product.

FH161 REV. 05/03

MAJESTIC™
fireplaces

MINIMUM WALL CLEARANCES

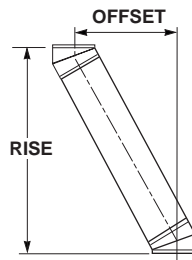


Combustible material permitted within shaded area.
 * Noncombustible wall shield requires 1" Majestic EH2416 insulation (minimum R Value = 1.85) between decorative noncombustible rigid covering and combustible wall. Minimum height and width is 40" x 40".
 ** Dimension/degree of angle will vary depending on thickness of noncombustible surround facing.

	A	B	C	D	E	F
WMC36	16"	12"	48°	41°	18"	14"

FS178

OFFSET ELBOW CHART



1'	1 1/2'	3'	4'	Chimney Support	Offset	Rise	1'	1 1/2'	3'	4'	Chimney Support	Offset	Rise
0	0	0	0	0	3"	11"	0	1	3	0	1	64 1/2"	117 1/2"
1	0	0	0	0	8 1/4"	20"	0	0	1	2	1	68 1/4"	124"
0	1	0	0	0	11 1/4"	25 1/4"	0	1	2	1	1	70 1/2"	128"
2	0	0	0	0	13 1/2"	29 1/4"	0	0	0	3	1	74 1/4"	134 1/2"
1	1	0	0	0	16 1/2"	34 1/4"	0	1	1	2	2	78"	140 3/4"
0	0	1	0	0	20 1/4"	40 3/4"	0	0	3	1	2	81"	146"
2	1	0	0	0	21 3/4"	43 1/2"	0	1	0	3	2	84"	151 1/4"
0	0	0	1	0	26 1/4"	51 1/4"	0	0	2	2	2	87"	156 1/2"
0	1	1	0	0	28 1/2"	55 1/4"	0	1	3	1	2	89 1/4"	160 1/4"
1	0	0	1	0	31 1/2"	60 1/4"	0	0	1	3	2	93"	166 3/4"
0	1	0	1	0	34 1/2"	65 1/2"	0	1	2	2	2	95 1/4"	170 3/4"
0	0	2	0	0	37 1/2"	70 3/4"	0	0	0	4	2	99 1/4"	177 3/4"
1	1	0	1	1	41 1/2"	77 3/4"	0	1	1	3	2	101 1/4"	181 3/4"
0	0	1	1	1	45"	83 3/4"	0	0	3	2	2	104 1/4"	186 1/4"
0	1	2	0	1	47 1/4"	87 1/2"	0	1	0	4	2	107 1/4"	191 1/2"
0	0	0	2	1	51"	94"	0	0	2	3	2	110 1/4"	196 3/4"
0	1	1	1	1	53 1/4"	98"	0	1	3	2	3	114"	203 1/4"
0	0	3	0	1	56 1/4"	103 1/4"	0	0	1	4	3	117 3/4"	209 3/4"
0	1	0	2	1	59 1/4"	108 1/2"	0	1	2	3	3	120"	213 1/2"
0	0	2	1	1	62 1/4"	113 1/2"	0	0	0	5	3	123 3/4"	220"

PRODUCT LISTING

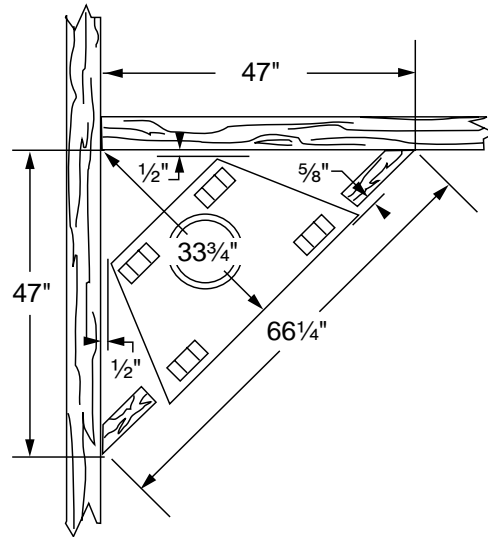
FIREPLACE/CHIMNEY:

- Underwriters' Laboratories Report No. MH6018
- International Council of Building Officials (ICBO) Report No. ER-5677
- Various city and state listings are available upon request.

INSULATION BOARD (MAJESTIC EH2416):

- Underwriters' Laboratories Report No. MH6018 Volume 2
- Thermal Conductivity ('K') is 0.458/IN.
- Total R-value is 1.09/IN.

MINIMUM CROSS-CORNER DIM.



FS181

CHIMNEY SECTION CHART

Height	Intermediate Sections				Height	Intermediate Sections			
	1'	1 1/2'	3'	4'		1'	1 1/2'	3'	4'
35 1/2"	0	0	1	0	209 1/2"	0	0	2	3
38 1/2"	2	1	0	0	214"	0	1	3	2
47 1/2"	0	0	0	1	221 1/2"	0	0	1	4
52"	0	1	1	0	226"	0	1	2	3
58"	1	0	0	1	233 1/2"	0	0	0	5
64"	0	1	0	1	238"	0	1	1	4
70"	0	0	2	0	244"	0	0	3	3
70 1/2"	1	1	0	1	250"	0	1	0	5
82"	0	0	1	1	256"	0	0	2	4
86 1/2"	0	1	0	0	259 1/2"	1	1	0	3
94"	0	0	0	2	268"	0	0	1	5
98 1/2"	0	1	1	1	272 1/2"	0	1	2	4
104 1/2"	0	0	3	0	280"	0	0	0	6
110 1/2"	0	1	0	2	284 1/2"	0	1	1	5
116 1/2"	0	0	2	1	290 1/2"	0	0	3	4
121"	0	1	3	0	296 1/2"	0	0	0	6
128 1/2"	0	0	1	2	302 1/2"	0	0	2	5
133"	0	1	2	1	307"	0	1	3	4
140 1/2"	0	0	0	3	314 1/2"	0	0	1	6
145"	0	1	1	2	319"	0	1	2	5
151"	0	0	3	1	326 1/2"	0	0	0	7
157"	0	1	0	3	331"	0	1	1	6
163"	0	0	2	2	337"	0	0	3	5
167 1/2"	0	1	3	1	343"	0	1	0	7
175"	0	0	1	3	349"	0	0	2	6
179 1/2"	0	1	2	2	353"	0	1	3	5
187"	0	0	0	4	361"	0	0	1	7
191 1/2"	0	1	1	3	365 1/2"	0	1	2	6
197 1/2"	0	0	3	2	373"	0	0	0	8
203 1/2"	0	1	0	4					