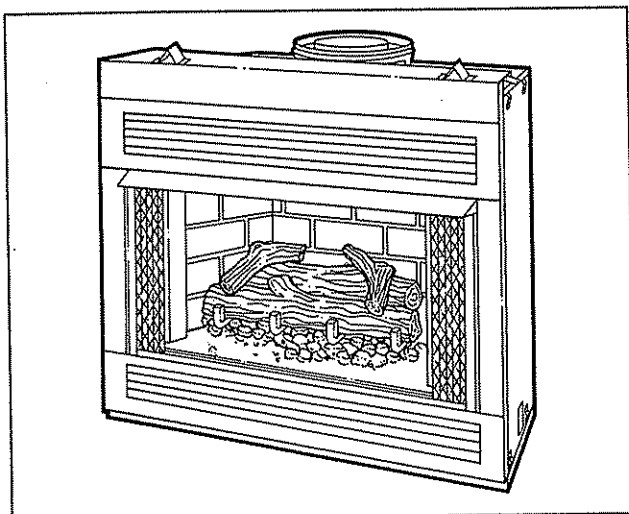


INSTALLATION AND OPERATION INSTRUCTIONS

for
THE **MAJESTIC**[®]
PRODUCTS COMPANY

VENTED TYPE DECORATIVE GAS APPLIANCE

MODELS: G2000pi, G2000adi
G2000piLP, G2000adiLP



WARNING: THE G2000 SERIES FIREPLACES ARE DECORATIVE GAS APPLIANCES. DO NOT BURN WOOD OR OTHER MATERIAL IN THESE FIREPLACES.

Do not attempt to modify or alter the construction of the fireplace or its components. Any modification or alteration of construction may void the warranty of these units.

WARNING: There is a possibility of odor fade in LP. Never install an LP appliance or service line below grade without a gas detector.

WARNING: Do NOT Connect 110 VAC to Control Valve or Remote Wires

FOR YOUR SAFETY

Do not store or use gasoline or other flammable vapors and liquids in the vicinity of this or any other appliances.

FOR YOUR SAFETY

If you smell gas.

1. Open windows.
2. Don't touch electrical switches.
3. Extinguish any open flame.
4. Immediately call your gas supplier.

FOR YOUR SAFETY

WHAT TO DO IF YOU SMELL GAS.

- Do not try to light any appliance.
- Do not touch any electrical switch; do not use any phone in your building.
- Immediately call your gas supplier from a neighbor's phone. Follow the gas supplier's instructions.
- If you cannot reach your gas supplier, call the fire department.

WARNING: Improper installation, adjustment, alteration, service or maintenance can cause injury or property damage. Refer to this manual. For assistance or additional information, consult a qualified installer, service agency or the gas supplier.

DUE TO HIGH TEMPERATURES, THE APPLIANCE SHOULD BE LOCATED OUT OF TRAFFIC AND AWAY FROM FURNITURE AND DRAPERIES.

DO NOT PLACE CLOTHING OR OTHER FLAMMABLE MATERIAL ON OR NEAR THE APPLIANCE.

CHILDREN AND ADULTS SHOULD BE ALERTED TO THE HAZARDS OF HIGH SURFACE TEMPERATURE AND SHOULD STAY AWAY TO AVOID BURNS OR CLOTHING IGNITION.

YOUNG CHILDREN SHOULD BE CAREFULLY SUPERVISED WHEN THEY ARE IN THE SAME ROOM AS THE APPLIANCE.

PLEASE RETAIN THIS MANUAL FOR FUTURE REFERENCE.

THE **MAJESTIC**[®]
PRODUCTS COMPANY



TABLE OF CONTENTS

1. GENERAL INFORMATION	2
2. SPECIFICATIONS.....	3
3. INSTALLATION	3
4. OPERATING INSTRUCTIONS	11
4.1. Lighting Instructions for G2000pi Equipped with Continuous Pilot.....	11
4.2. Lighting Instructions for G2000adi Equipped with Direct Ignition System.....	12
5. INSTALLATION OF OPTIONAL ACCESSORIES	13
5.1. Outside Air Kit	13
5.2. Wired Remote Wall Switch	14
5.3. Wireless Remote Switch	15
5.4. 32 Glass Panel Assembly Installation	15
6. MAINTENANCE	16
6.1. Cleaning the Glass Panel	16
6.2. Inspecting the Venting System	16
6.3. G2000pi Maintenance.....	16
6.4. G2000adi Maintenance.....	17
7. FINISHING MATERIALS	17
8. REPLACEMENT PARTS	17
9. TROUBLESHOOTING AND REPAIRS.....	19
9.1. G2000pi	19
9.2. G2000adi	20
9.3. G2000pi and G2000adi	21
10. ACCESSORY PARTS.....	21

1. GENERAL INFORMATION

The installation must conform with local codes or, in the absence of local codes, with the National Fuel Gas Code, ANSI Z223.1-1988.

For installation in Canada, the installation must conform with local codes or, in absence of local codes, with the current CAN/CGA B149 Installation Code. The G2000adi must be installed with the current CSA C221.1 CANADIAN ELECTRICAL CODE.

NOTE: Installation and repair should be done by a qualified service person. The appliance should be inspected before use and at least annually by a qualified service person. More frequent cleaning may be required due to excessive lint from carpeting, bedding material, etc. It is imperative that control compartment, burners, and circulating air passageways of the appliance be kept clean.

Any safety screen or guard removed for servicing an appliance must be replaced prior to operating the appliance. Provide adequate combustion and ventilation air.

The flow of combustion and ventilation air **MUST NOT** be obstructed.

Provide adequate clearances around air openings into the combustion chamber and adequate accessibility clearance for servicing and proper operation. **NEVER** obstruct the front opening of the fireplace.

INSTALLATION PRECAUTIONS

8-INCH "B" VENT IS REQUIRED FOR THIS FIREPLACE.

This Majco Building Specialties® (MBS) Fireplace and its components have been tested and will operate safely when installed in accordance with this Installation Manual. Read all instructions before starting installation, then follow these instructions carefully during installation to maximize fireplace benefit and safety. Report to your dealer any parts damaged in shipment.

This decorative appliance is a highly engineered system, unless you use MBS components which have been designed for the system, you may create a possible fire hazard.

The MBS warranty will be voided by, and MBS disclaims any responsibility for, the following actions:

- Installation of any damaged fireplace or chimney component;
- Modification of the fireplace, chimney assembly or any of the component parts thereof;
- Installation other than as instructed by MBS; or
- Installation and/or use of any component part or accessory not manufactured or approved by MBS in combination or assembly with a MBS

fireplace system, notwithstanding any independent testing laboratory or other third party approval of such component part or accessory.

Any such action may create a possible fire hazard. Consult your local building codes.

Minimum clearances to combustibles are: Sides 0", Floor 0", Back 0", Ceiling 36", B Vent 1", "SK" components require 1½" clearance, clearance to the sidewall in front of the fireplace 0". Mantel 17" above the fireplace opening (8" wide).

Minimum inlet gas supply pressure is 4.5 inches water column natural gas and 11 inches water column propane. Maximum inlet gas supply pressure is 10.5" w.c. natural gas and 13.0" w.c. propane. For the purpose of input adjustment, inlet gas supply pressure should be 7.0" w.c. natural gas and 11.0" w.c. propane and manifold pressure should be set at 3.5" w.c. and 10.0" w.c. respectively.

Input is 45,000 BTU/HR, natural gas and propane.

Draft hood must be installed so as to be in the same atmospheric pressure zone as the combustion air inlet to the appliance.

The draft hood is an integral part of the fireplace already installed.

HIGH ELEVATION DERATING

Input ratings are shown in BTU per hour and are for elevations up to 2,000 feet. For elevations above 2,000 feet, ratings should be reduced at the rate of 4 percent for each 1,000 feet above sea level.

When installing this unit at an elevation between 2,000-4,500 feet (in Canada) the input rating must be reduced by 10%. When installing this unit at an elevation above 4,500 feet (in Canada) check with local authorities.

A 1/8" N.P.T. plugged tapping is provided on gas control for a test gauge connection. Use 3/16" allen wrench to remove hex socket plug. Replace the plug after test.

This appliance **must not be** connected to a chimney flue servicing a separate solid-fuel burning appliance.

This appliance **must be** isolated from the gas supply piping system by closing its individual manual shut off valve during any pressure testing of the gas supply piping system at test pressures equal to or less than 1/2 psig (3.45 kPa).

The appliance and its individual shutoff valve **must be** disconnected from the gas supply piping system during any pressure testing of that system at test pressures in excess of 1/2 psig (3.45 kPa).

2. SPECIFICATIONS

- Capacity 45,000 BTU/HR rated input.
- Natural gas and propane.
- Combination control which includes manual shutoff valve, pressure regulator, automatic main valve.
- Millivolt system (G2000pi) – no outside electrical power supply needed, piezo ignitor.
- Automatic direct ignition system(adi) (G2000adi), no standing pilot, outside electrical power supply needed.
- Set of four (4) decorative logs and cast grate.
- Heat exchanger.
- Set of four (4) decorative logs.
- One (1) piece glass panel.
- Vent with 8" B vent system.
- Easy access to controls for initial hookup.
- 42" wide overall opening.
- Thermal vent damper.
- Blower with variable speed control.
- Optional accessories include: outside air kit (G2000-AK); remote wall switch (GWSK); wireless remote switch (SRC); beveled glass kit (G1000-GP32).

3. INSTALLATION

Step 1. Determine where selected accessories fit into this fireplace installation procedure by checking the installation instructions provided with each accessory. See Section 5, Installation of Optional Accessories.

Step 2. Determine fireplace location. The fireplace can be mounted on any of the following surfaces:

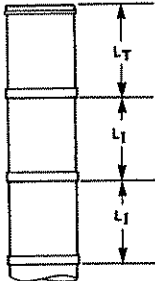
- 1) A flat hard combustible surface.
- 2) A raised platform of combustible or noncombustible material.
- 3) On four (4) corners of the fireplace so contact is made on all four (4) beads and perimeter edges on the bottom of the unit.
(Example: Four (4) concrete masonry blocks.)
If the fireplace is installed directly on carpeting, tile or other combustible material other than wood flooring, it should be installed on a metal or wood panel extending the full width and depth of the appliance.

These supports must be positioned so they contact all four (4) dimples and perimeter edges on the bottom of the unit. The fireplace may be placed against a combustible back wall and side walls.

At this point, you should have decided what components to include in your installation, where the fireplace is to be located, and how the chimney will be routed to the roof (straight-up, offset, or chase*). If this has not been done, stop and consult your dealer for assistance with this planning.

Note that the installed length of any chimney section is less than its total length (except for the last section installed), because of its overlap at joints. (See Fig. 1.)

*A chase is a vertical boxlike structure which encloses the fireplace and/or its chimney, typically built on the outside of the house with the fireplace opening cut in the outer wall of the home.



MODEL SK8 TYPE "B" GAS VENT CHIMNEY		DIMENSIONS IN INCHES	
MODEL NO.	TOTAL LENGTH(LT)	INSTALLED LENGTH (LI)	
SK81	11 1/2	10 1/2	
SK818	17 1/2	16 1/2	
SK83	35 1/2	34 1/2	
SK84	47 1/2	46 1/2	

Fig. 1. Installed lengths of chimney sections.

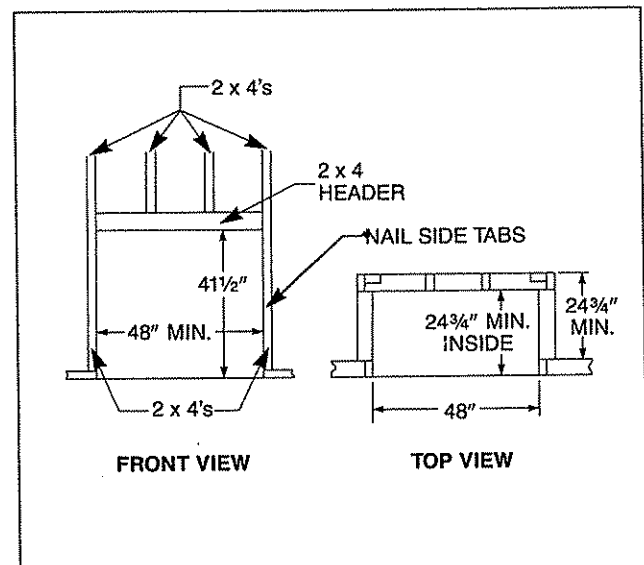


Fig. 2. Minimum fireplace enclosure dimensions.

Step 3. Build framing. The fireplace framing should be constructed of 2 x 4 lumber or heavier. Refer to Fig. 3. for basic fireplace dimensions that will affect the framing dimensions.

Framing should be positioned to accommodate wall covering and fireplace facing materials (Refer to Step 9 and Figs. 18 through 21. for typical arrangements). To prevent shifting of the fireplace and to maintain sealing (described later), anchor the fireplace. Use the fastening tabs provided on the side of the fireplace.

Nail through the tabs into the vertical framing members. (See Fig. 4.) The fireplace can then be secured to the vertical framing members.

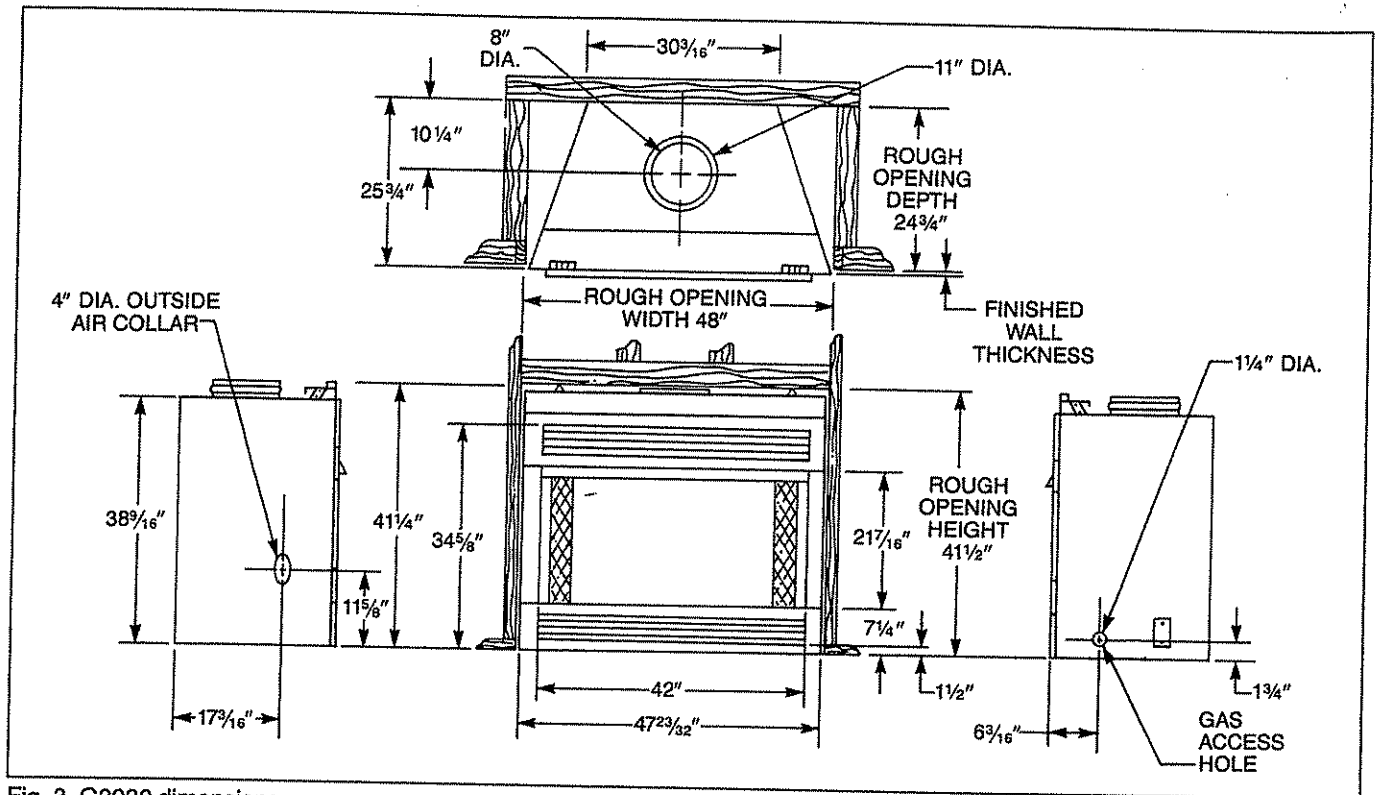


Fig. 3. G2000 dimensions.

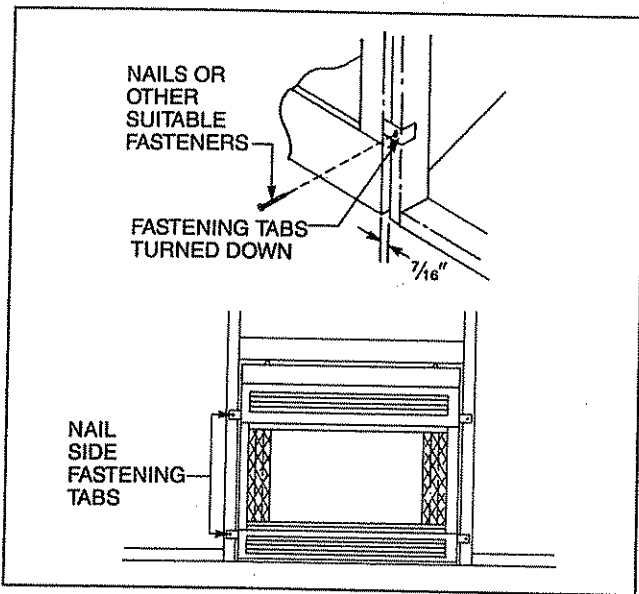


Fig. 4. Fasten fireplace in position using the fastening tabs.

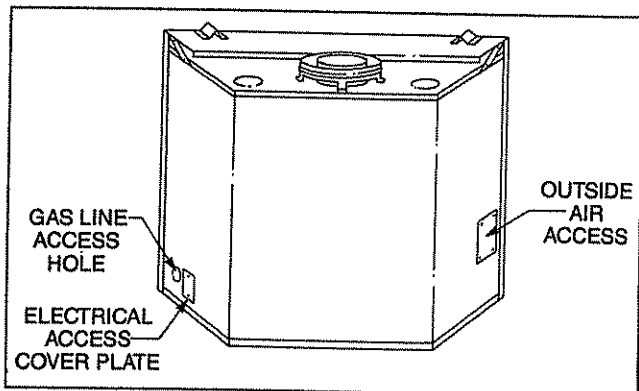


Fig. 5. Gas pipe holes location.

CAUTION: All joints between the finished wall and the fireplace black surround (top and sides) must be sealed with noncombustible material. Only noncombustible material may be applied as facing to the fireplace surround.

Step 4. Connect a $\frac{3}{8}$ " (for pipe runs longer than 30 feet, use $\frac{1}{2}$ " line) N.P.T. black iron gas line (Do Not Use Cast Iron Pipe) $1\frac{3}{4}$ " above the floor surface (if fireplace will be resting on the floor) and $6\frac{3}{16}$ " behind the face of the fireplace. If the pipe is going to be connected on the left side of the fireplace, route the pipe above the floor surface and behind the face of the fireplace. Connect the pipe to the fireplace piping. See Fig. 5A for suggested piping inside the fireplace. Use two (2) wrenches: one (1) to hold the gas shutoff valve and the second to attach the gas pipe. Always install the sediment trap. Refer to Fig. 6. for possible configurations.

Close the manual shutoff valve on the fireplace and carefully check all gas connections for leaks. Use a soapy solution. **DO NOT USE OPEN FLAME.**

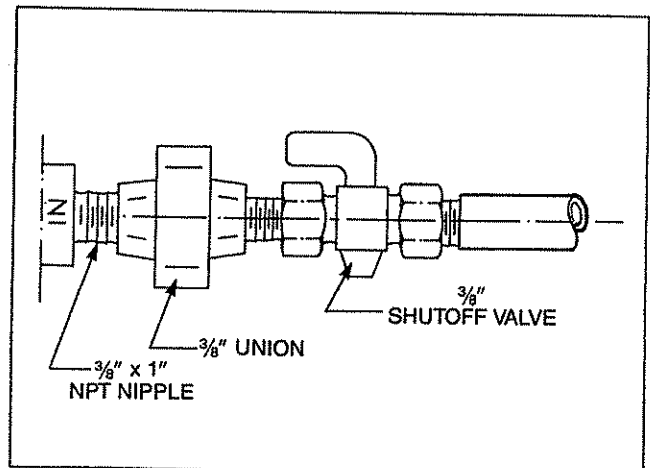


Fig. 5A. Inside fireplace piping.

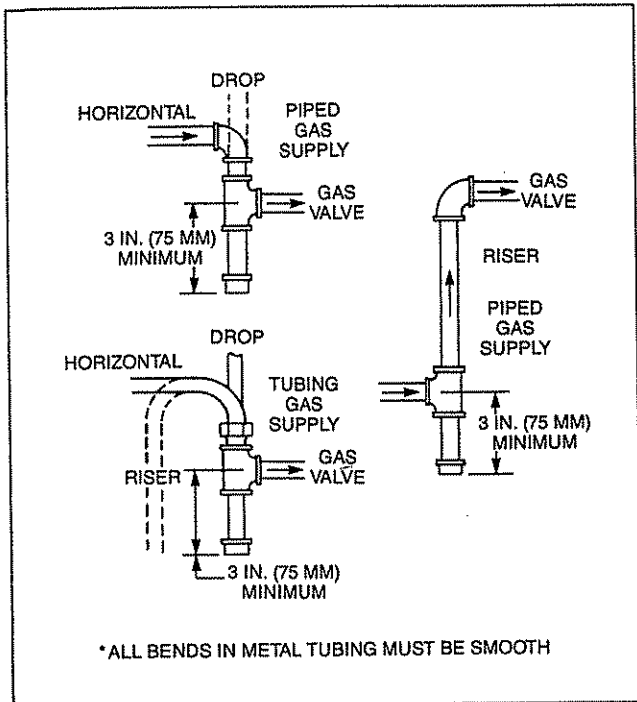


Fig. 6. Sediment trap installation.

Step 5. Install the venting system.

CAUTION: REPORT TO YOUR DEALER ANY PARTS DAMAGED IN SHIPMENT, SPECIFICALLY, CHECK THE END CONNECTIONS OF CHIMNEY SECTIONS AND ELBOWS.

The G2000 fireplace may use EQUUS® Model SK8, Type "B" Gas Vent Components. When using other than EQUUS® Model SK8, Type "B" Gas Vent Components, the vent system may contain only two (2) elbows when they are greater than 30°. Also, for each 10 feet of rise you may have no greater than 1 foot of offset when using elbows that are from 31° to 90°.

NOTE: When using other than Majestic B-vent components, two (2) adapters (BVA-8) must first be installed on the fireplace before installing the B-vent pipe. The larger adapter snaps into the outer collar and locks into place. The smaller adapter (beaded end first) fits into the flue section of the fireplace.

Venting systems **must** be installed in accordance with their listing, manufacturer's installation instructions, local and national building codes and standards. **Model SK8 Type "B" Gas Vent Chimney is designed to serve a single appliance only.**

Check National Fuel Gas Code NFPA54, ANSI Z223.1-1988 for requirements.

If the fireplace is positioned against the wall behind it, measure out 10¼ inches from that wall and make a mark on the ceiling above the fireplace.

Draw a line through this mark parallel to the back wall, defining the centerline of the chimney. (See Fig. 7.) Then, using a plumb bob positioned directly over the centerpoint of the fireplace flue collar, mark the ceiling to establish the chimney centerpoint. (See Fig. 7.)

In order to clear an obstruction, it may be necessary to offset the chimney from the vertical plane. This is done by using EQUUS® CHIMNEY ELBOWS: Model SK830 (30°), Type "B" Gas Vent. Each offset requires a pair of elbows. Use Table 1 and Fig. 8. to determine the offset that may be obtained using the various elbows.

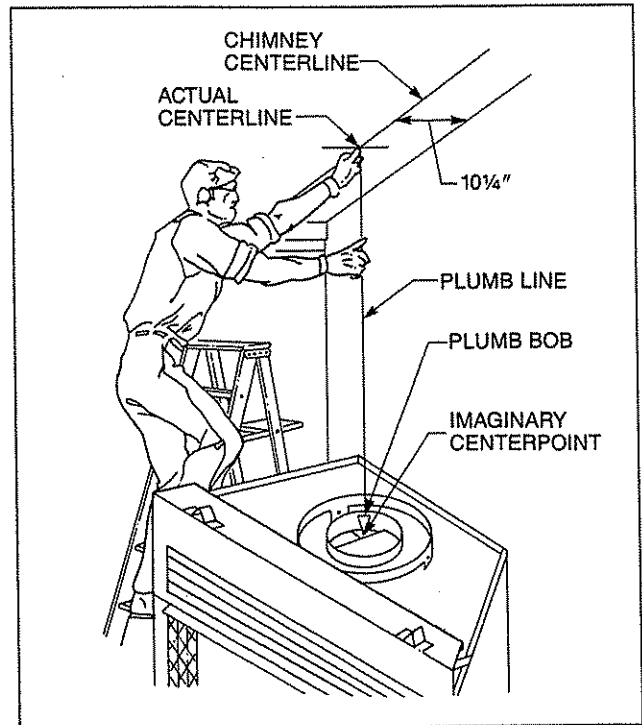


Fig. 7. Locate centerpoint of chimney with plumb line.

Table 1. Offset dimensions.

	DIMENSIONS	
	T	S
	SK830	SK830
No Intermediate Section	0'3"	0'11"
One 1' Section	0'8¼"	1'8"
One 1½' Section	0'11¼"	2'1¼"
Two 1' Sections	1'1½"	2'5¼"
One 1' and One 1½' Section	1'4½"	2'10¼"
One 3' Section	1'8¼"	3'4¾"
Two 1' and One 1½' Sections	1'9¾"	3'7½"
One 4' Section	2'2¼"	4'3¼"
One 3' and One 1½' Section	2'4½"	4'7¼"
One 1' and One 4' Section	2'7½"	5'0¼"
One 1½' and One 4' Section	2'10½"	5'5½"
Two 3' Sections	3'1½"	5'10¾"

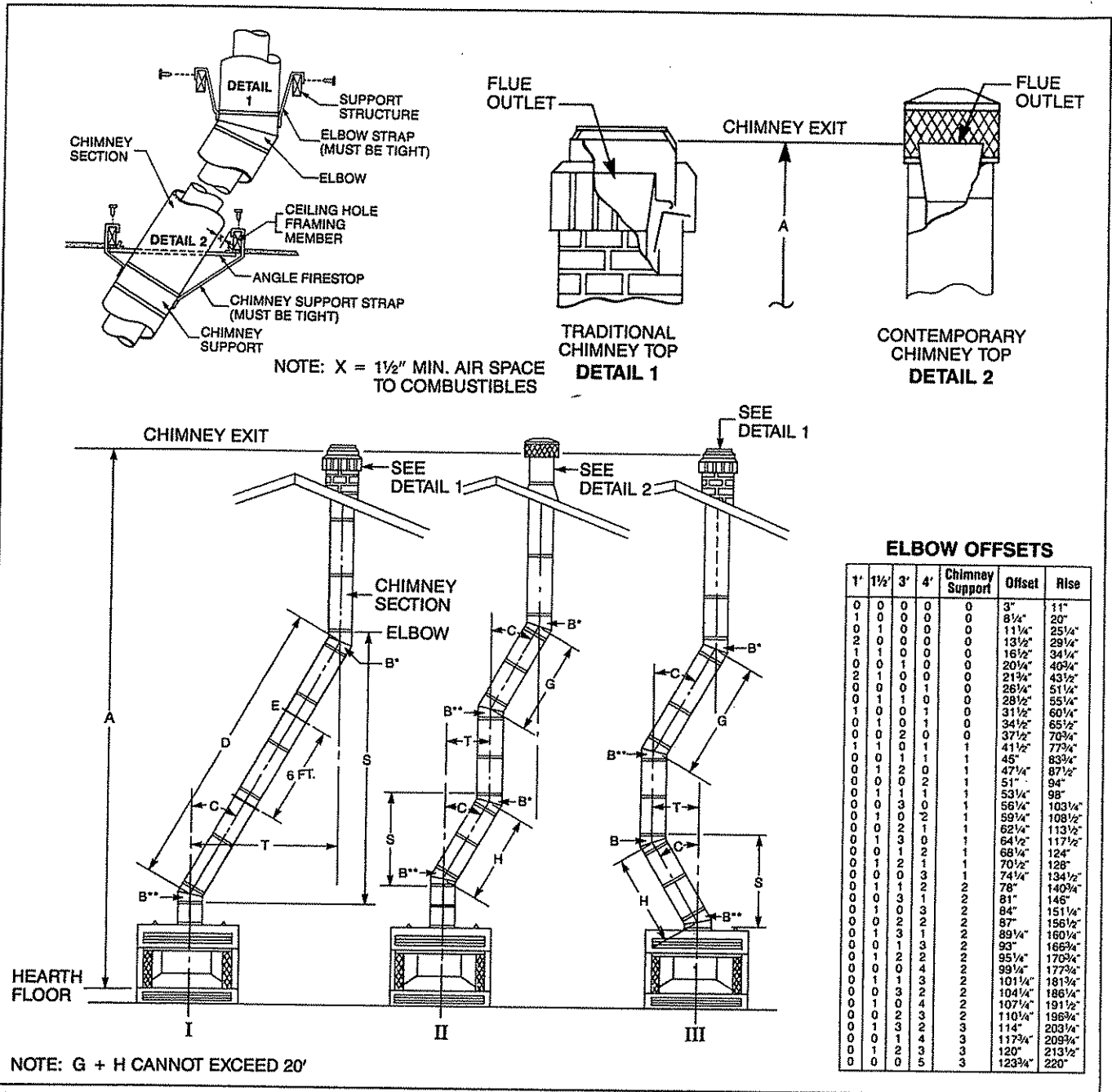


Fig. 8. Typical offset installations.

The following **safety rules** apply to offset installations. (The letters below match the letters in Fig. 8.)

A. Height of the chimney measured from the hearth to the chimney exit at top:

Maximum:	90 Feet
Minimum:	
Without Elbows	12 Feet 6 Inches
With 2 Elbows	14 Feet 6 Inches
With 4 Elbows	21 Feet 0 Inches

B. Do not use more than four elbows per chimney.

Attach the straps of the top elbows to a structural framing member.

The first elbow of any pair does not have straps.

C. The chimney cannot be more than 30° from the vertical plane.

D. The maximum length of the angled run of the total chimney system is 20 feet. (G plus H cannot exceed 20 feet.)

E. A chimney support (Model SKCS8, Type "B" Gas Vent) is required every 6 feet of angled run of chimney. Chimney supports are required at 30 feet and 60 feet of vertical chimney height above the hearth.

Determine the offset distance of your chimney arrangement from the centerline of the fireplace to the centerline of the chimney where it is to pass through the first ceiling.

NOTE: This offset distance may not be your full offset distance (T). See above.

Locate on the ceiling the centerpoint of the chimney, as though a straight up chimney arrangement is to be used, by following the procedure outlined. Then measure your offset dimension from the actual chimney centerpoint on the ceiling. (See Fig. 9.)

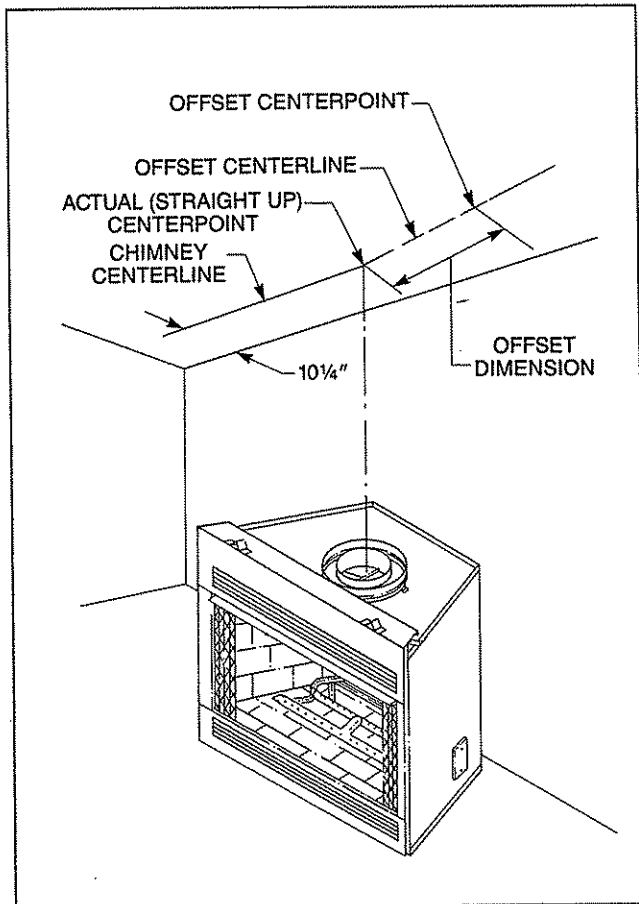


Fig. 9. Measure ceiling offset distance from actual (straight up) centerpoint.

The size of the ceiling chimney hole will vary with the angle at which the chimney passes through the ceiling. Refer to Table 2.

Table 2. Sizes of ceiling chimney hole for installing firestop spacer.

SIZE OF CHIMNEY	ANGLE OF CHIMNEY AT CEILING	
	Vertical	30°
8" Flue	14 1/2 x 14 1/2	14 1/2 x 25 1/2

Drive a nail up through the ceiling at the marked chimney centerpoint. Go to the floor above and check where the hole will be cut, relative to the ceiling joists and any obstructions such as wiring or plumbing runs. If necessary, reposition the chimney and/or the fireplace to better accommodate these joists and/or obstructions.

After covering the opening of the fireplace collar, cut the chimney hole through the ceiling. Recheck the hole to be sure that it measures the hole size selected from Table 2.

The SK8, Type "B" Gas Vent chimney allows for framing the chimney hole in a typical 16" on center joist condition without cutting joists. (See Fig. 10.)

Frame the ceiling chimney hole as shown in Fig. 10. It is good practice to use framing lumber that is the same size as the ceiling joists. (This is a requirement at the attic level.)

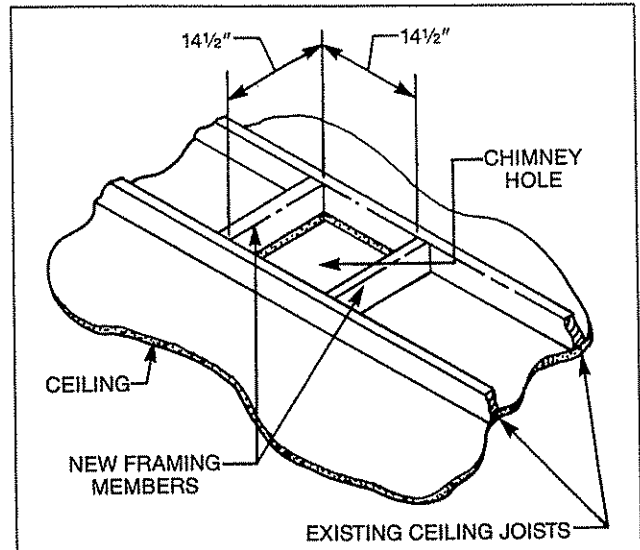


Fig. 10. Typical frame for ceiling chimney hole.

The inside dimension of the frame must be the same as the hole size selected from Table 2 in order to provide the required 1 1/2-inch air space between the outside diameter of the chimney and the edges of the framed ceiling hole.

Firestop spacers are required for safety. The hole sizes listed in Table 2 for angled firestop spacers provide the minimum required air space to the chimney pipe for ceiling thicknesses up to 8 inches. When the combined thickness of the ceiling material, ceiling joists and flooring material exceeds 8 inches, adjustments must be made in the framing to assure that the minimum air spaces to the chimney are maintained.

If the area above the ceiling is not an attic, position the firestop spacer with the flange on the ceiling side and the dished or angled portion extending up into the hole. If the area above the ceiling is an attic, position the firestop spacer with the flange on the top of the framed hole and the dished or angled portion extending down into the hole. (See Figs. 11 & 12.)

Table 3. Firestop model numbers.

TYPE FLUE	MODEL NO.
8" straight	SKFS2A (Type "B" Gas Vent)
8" 30° inclined	SKFS6A (Type "B" Gas Vent)

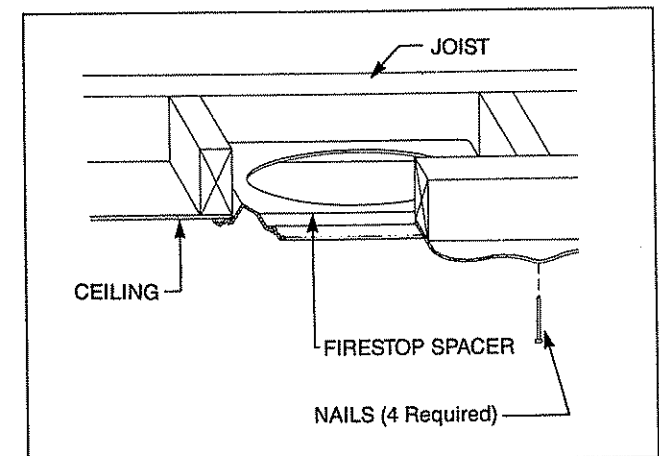


Fig. 11. Position of firestop when area above ceiling is not an attic.

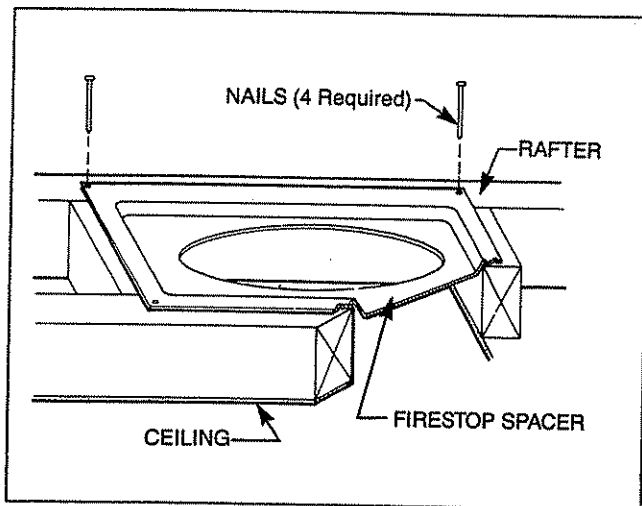


Fig. 12. Position of firestop when area above ceiling is an attic.

Attach the first straight chimney section to the fireplace collar, or attach elbow to the fireplace collar if offset installation. Mount the flue pipe first, using the built-in snap-lock fasteners. (See Fig. 13.) Then mount the additional pipe(s). Position each pipe section so the direction arrow is pointing UP.

Make sure each pipe is firmly snapped and locked together as it is mounted.

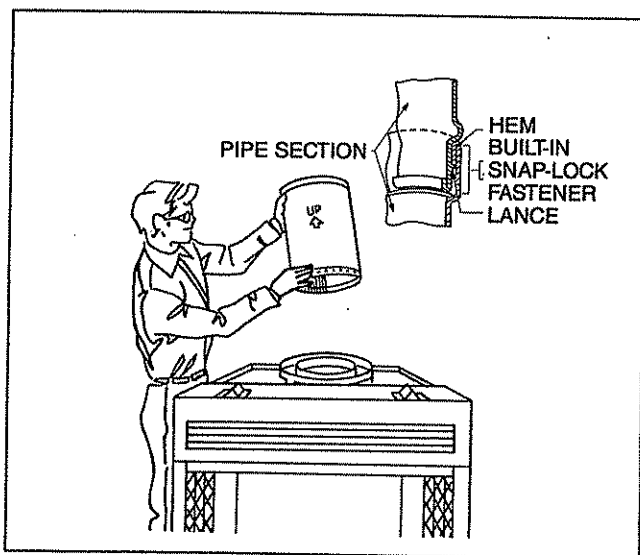


Fig. 13. Use built-in snap-lock fasteners to attach chimney pipe sections.

Continue installing chimney sections until **ONE SECTION** (all pipes) extends up through the ceiling hole. To extend through the ceiling, it may be necessary to assemble all pipes, push them up through the ceiling hole and then slide them down one (1) at a time to connect them.

If the first elbow is not to be attached to the fireplace, install chimney sections as required.

Attach first elbow where required. Note that only the outer pipe snap-locks.

Attach the straps of all upper elbows to a structural framing member.

The chimney system is supported by the fireplace for chimney heights less than 30 feet of vertical height above the hearth. Chimney supports are required if the chimney height exceeds 30 feet. Locate chimney supports at ceiling holes or other structural framing at 30 foot heights.

Spacing between chimney supports must not exceed 30 feet. Use EQUUS® Chimney Support Model SKCS8, Type "B" Gas Vent. **(NOTE: The SKCS8 can not be mounted directly to the fireplace.)** Support provided by elbow straps fulfills the support requirement only if they are spaced as required above.

Angled chimney runs require support every 6 feet in addition to the elbow straps. EQUUS® Chimney Supports are used for this function.

NOTE: A chimney support is 2½-inches long when installed. This dimension must be considered when determining how many straight chimney sections are needed to provide the desired offset.

Chimney supports are attached to chimney sections the same way elbows are attached. Nail the chimney support straps to adjacent structural framing, as shown in Fig. 14. Bend the straps as necessary and make sure they are tight so they will be able to support the weight of the chimney.

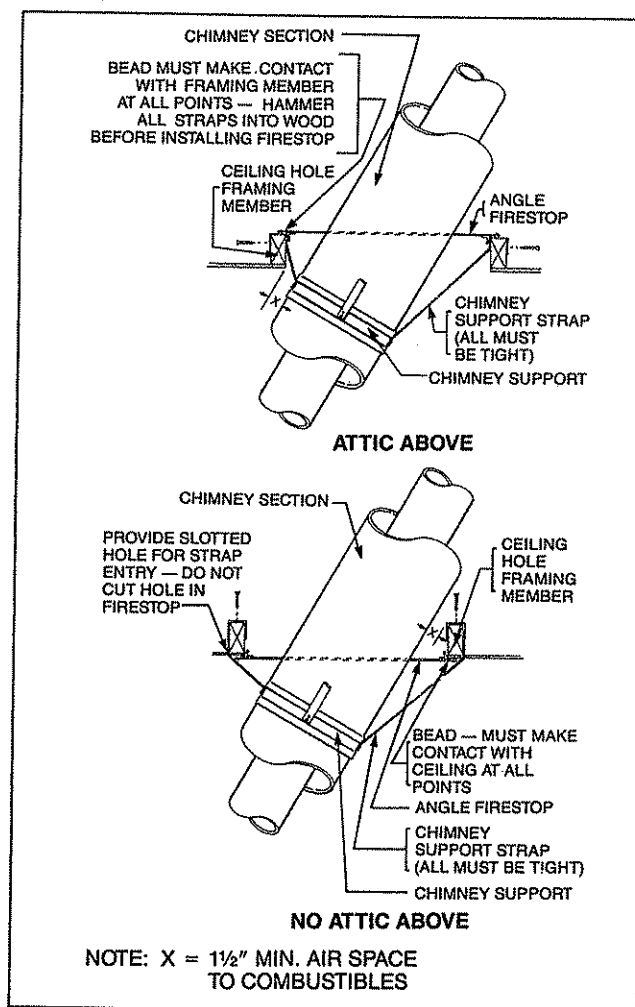


Fig. 14. Mount chimney supports at ceiling hole frames or other structural framing.

Mark area of ceiling chimney hole. Cut ceiling chimney hole. Frame ceiling chimney hole and install firestop spacer.

Continue installing chimney sections and chimney supports (as required), until the chimney passes through the second ceiling hole.

The chimney system must be vented out-of-doors and must be terminated in an approved Type "B" gas vent, EQUUS® top termination.

Drive a nail up through the roof at the marked centerpoint. This will mark the centerpoint on the outside of the roof.

The size of the roof hole varies with the type of chimney top that will be installed. Refer to the installation instructions provided with your Type "B" gas vent, EQUUS® chimney top termination to find the correct size of roof hole for this installation. There must be at least 1½-inch air space between the outermost section of the chimney sections and any adjacent combustible (burnable) surfaces.

WARNING: DO NOT PACK REQUIRED AIR SPACES WITH INSULATION OR OTHER MATERIALS.

(Combustible surfaces include such things as ceiling members, joists, flooring, combustible insulation and roof structures.)

Mark the outline of the roof hole around the centerpoint nail. **Note:** The hole dimensions given in the chimney top installation instructions are horizontal dimensions; therefore, the hole size must be marked on the roof accordingly. Cover the opening of the installed chimney.

Cut and frame the hole. It is good practice to use framing lumber that is the same size as the rafters. **Install frame securely. Chimney top and flashing anchored to frame must withstand heavy winds.**

Continue installing chimney sections up through the roof hole. Check your chimney top installation instructions for data on how high above the top of roof the CHIMNEY SECTIONS (all pipes) should go. Follow the installation instructions provided with the Type "B" gas vent, EQUUS® chimney top you have selected.

Step 6. When installing a G2000 fireplace and chimney in a chase, it is always good building practice to **insulate the chimney chase as you would an outside wall of your home.** A chase is a vertical boxlike structure built to enclose the fireplace and/or its chimney.

CAUTION: Treatment of firestop spacers and construction of the chase may vary with the type of building. These instructions are not substitutes for the requirements of local building codes. Therefore, your local building codes must be checked to determine the requirements for these steps. NOTE: Other material may be required in addition to the Type "B" gas vent, EQUUS® Firestop Spacers.

Step 7. In cold climates, insulation of the enclosure around the fireplace is critical to avoid future problems with cold air. The following steps are suggested to minimize potential cold air problems. Insulate the base of the fireplace with a noncombustible insulation. This step is particularly important for outside wall installations over concrete slab floor construction. If a platform is used to raise the fireplace, the insulation should be placed on top of the platform before the fireplace is set. (See Fig. 15.)

Minimum clearances to combustibles are as follows: Left side 0"; Right side 0"; Back 0"; Ceiling 36"; Floor 0". The left and right sides are determined when facing the front of the appliance.

NOTE: For fireplaces installed at 45° to two (2) side walls (corner installation), no side wall protection is required.

Inspect joints of the fireplace as well as the points of sealing between the fireplace and the finishing materials. Any cracks should be sealed with noncombustible caulking or insulation. See Fig. 16. for details of sealing between the fireplace and finishing materials.

When a fireplace is installed in a chase or on an outside wall, the enclosure should be insulated like any other wall

of the home. Insulation should be installed on the inside wall as well as the outside wall(s). In a chase, it is also a good idea to install a firestop at the first ceiling level above the fireplace and close the chase with sheeting material. Insulation may then be installed above the sheeting material to assure the space around the fireplace is totally protected. See Fig. 17. for additional details of suggested insulating methods.

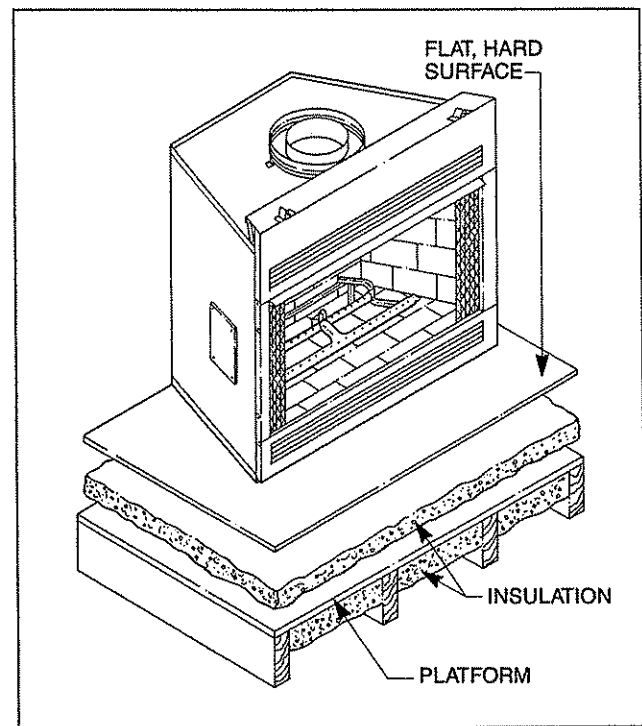


Fig. 15. Insulation between platform and fireplace.

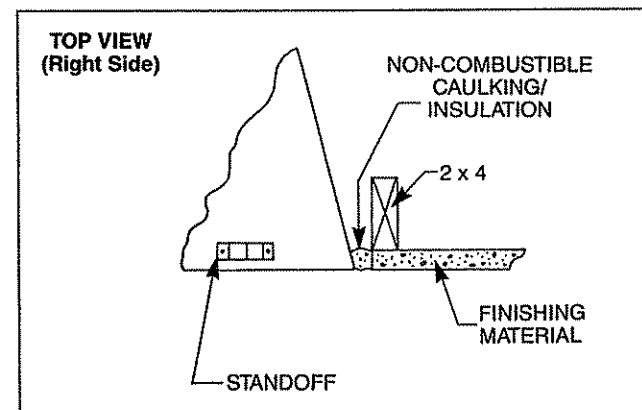


Fig. 16. Sealing spaces between fireplace and finishing materials.

CAUTION: WHEN INSTALLING A FIREPLACE IN AN INSULATED ENCLOSURE, BE SURE ALL MARKED AIR SPACES ARE MAINTAINED.

Step 8. All units require 120 VAC electrical hookup.

CAUTION: ALL WIRING SHOULD BE DONE BY A QUALIFIED ELECTRICIAN AND SHALL BE IN COMPLIANCE WITH ALL LOCAL, CITY AND STATE BUILDING CODES. BEFORE MAKING THE ELECTRICAL CONNECTION, MAKE SURE THAT MAIN POWER SUPPLY IS DISCONNECTED. THE APPLIANCE, WHEN INSTALLED, MUST BE ELECTRICALLY GROUNDED IN ACCORDANCE WITH LOCAL CODES OR, IN THE ABSENCE OF LOCAL CODES, WITH THE NATIONAL ELECTRICAL CODE, ANSI/NFPA 70 (LATEST EDITION).

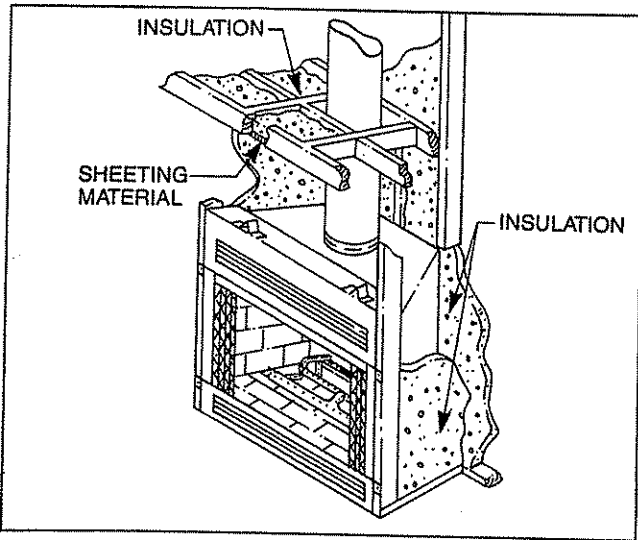


Fig. 17. Additional insulating methods.

Located on the lower right side of the fireplace is the electrical cover plate and access hole. Remove the two (2) screws retaining the cover plate; retain screws. Remove the knockout in the center of the electrical access cover plate. (See Fig. 5.) Install the house power connection to the cover plate, use Listed cable clamps.

Feed the house wire through the cable clamps leaving approximately six (6) inches of wire exposed through the cover plate. Secure the cable clamp to the wire. Attach the white wire from house power to the white wires of the receptacles and secure with a wire nut. Attach the black wire from the house power to the black wires of the receptacles and again secure with a wire nut.

IMPORTANT: The wire nut must be tight.

Attach the green wire or bare wire from the house power to the screw on the junction box. Make sure that the green wire from the receptacle is also attached to this same screw. Install the cover plate to the fireplace.

Step 9. Finish the wall with material of your choice. Any 42-inch Majestic decorative fireplace mantel, or other finishing products with similar dimensions, properly installed in accordance with the appropriate mantel installation instructions, may be used with the G2000 gas fireplace. Any shelf, whether supplied by Majestic or others, should be no more than 8-inches wide and installed at least 17-inches above the fireplace opening, as shown in Fig. 18.

All joints (top, bottom and sides), where the wall or decorative facing material meets the fireplace surround must be completely sealed with a noncombustible material. (See Figs. 18, 19, 20 and 21.)

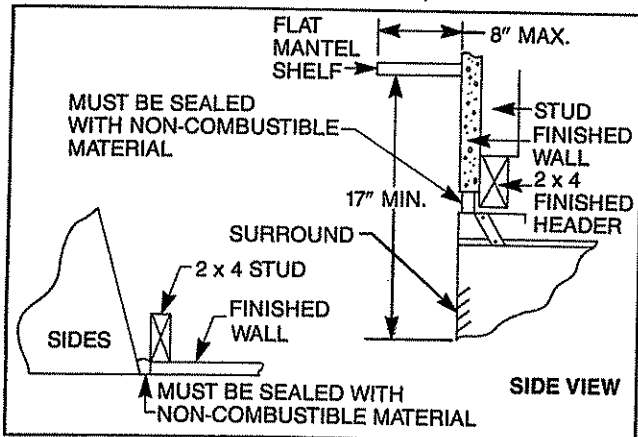


Fig. 18. Fireplace surround flush with finished wall.

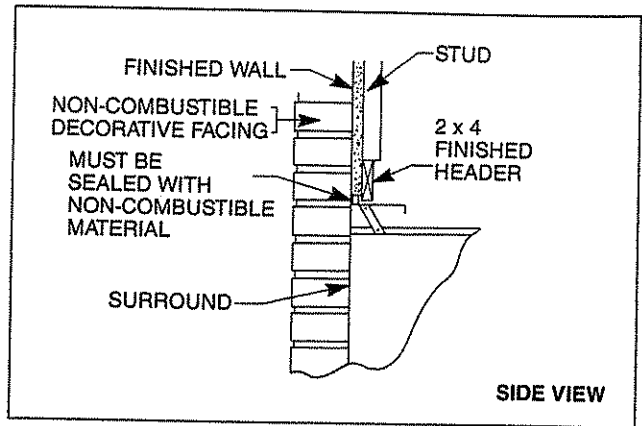


Fig. 19. Fireplace surround flush with finished wall.

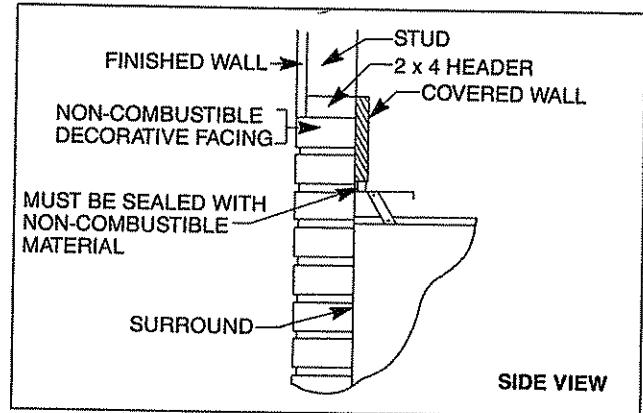


Fig. 20. Facing on fireplace surround flush with finished wall.

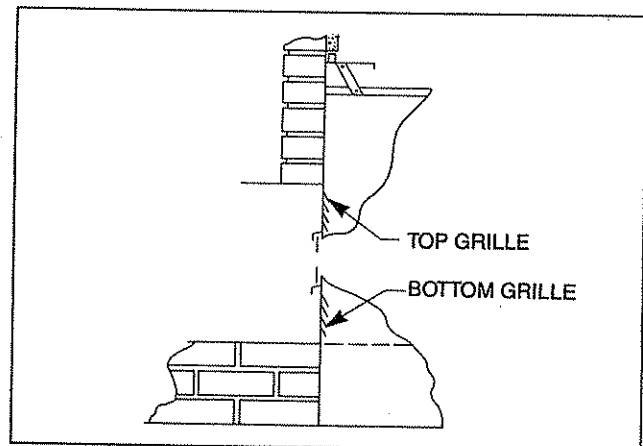


Fig. 21. Finishing front of fireplace.

Step 10. Installation of a hearth extension is recommended (but not required) to protect the fireplace (20" x 61½").

Step 11. If front glass panel has not been removed earlier, remove it now. Check bricks and burner for minor damages, cracks, etc. Inspect hot surface ignition (on unit equipped with adi) and pilot burner for mechanical damages. If damaged parts are discovered, notify your dealer.

Step 12. Unpack cement logs. Check logs for cracks and damages. There should be four (4) cement logs in the box. (See Fig. 22.)

Position back log on the burner. Make sure that guide pins make holes in the bottom of the log. Position the front log with left and right logs to follow. The correctly assembled log set should appear as shown in Fig. 23.

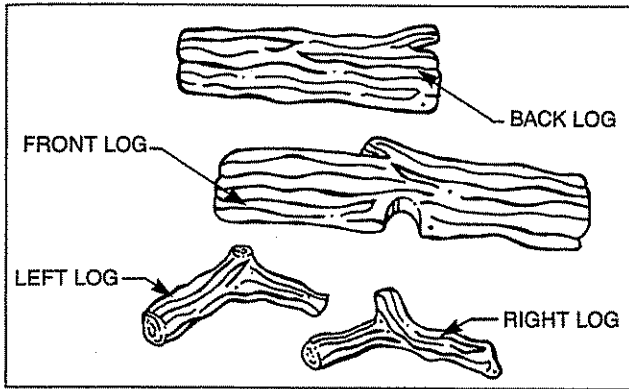


Fig. 22. Cement logs.

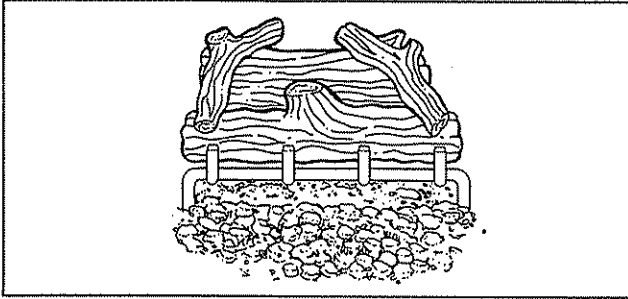


Fig. 23. Assembled log set.

Open the bag with lava rock and spread a thin layer on the lava rock tray. Cover the front burner. Put some loose mineral wool over the rocks to simulate burning ember.

Step 13. Install the front glass panel and open the main gas valve. On unit equipped with piezo igniter, turn the valve knob to pilot and follow the Lighting Instructions. (See Section 4.1.) Upon completing your gas line connection, a small amount of air will be in the lines. When first lighting the pilot light, it will take a few minutes for the lines to purge themselves of this air. Once the purging is complete, the pilot and burner will light and operate as indicated in the instruction manual. Subsequent lightings of the appliance will not require such purging.

CAUTION: DURING THE INITIAL PURGING AND SUBSEQUENT LIGHTINGS, NEVER ALLOW THE GAS VALVE CONTROL KNOB TO REMAIN DEPRESSED IN THE "PILOT" POSITION WITHOUT PUSHING THE RED IGNITOR BUTTON AT LEAST ONCE EVERY SECOND.

When lit for the first time, the appliance may emit a slight odor for an hour or two. This is due to paint and lubricants used in the manufacturing process. Additionally, for the first few minutes after each lighting, vapor may condense and fog the glass. After a few minutes, this moisture will disappear.

Step 14. Clean the surround area of debris, ignite the main burner two or three times making sure that there is no ignitor delay and that flame looks similar to that in Fig. 24.

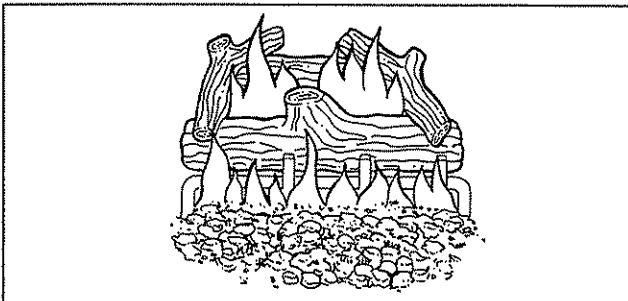


Fig. 24. Typical flame pattern.

G2000piLPCAN and G2000adiLPCAN

The lava rock tray should be placed in the front of the burner as shown in Fig. 25. **DO NOT COVER THE BURNER WITH LAVA ROCKS.**

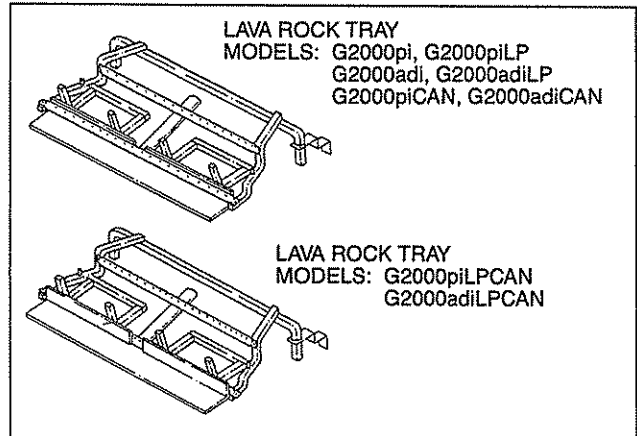


Fig. 25. Lava rock tray location on G2000LPCAN Fireplaces.

4. OPERATING INSTRUCTIONS

NOTE: This appliance must be operated only with glass panel in place.

4.1. Lighting Instructions for G2000pi Equipped with Continuous Pilot.

FOR YOUR SAFETY READ BEFORE LIGHTING

WARNING: IF YOU DO NOT FOLLOW THESE INSTRUCTIONS EXACTLY, A FIRE OR EXPLOSION MAY RESULT CAUSING PROPERTY DAMAGE, PERSONAL INJURY OR LOSS OF LIFE.

- A. This appliance has a pilot which must be lighted by hand or with spark igniter. When lighting the pilot, follow these instructions exactly.
- B. **BEFORE LIGHTING** smell all around the appliance area for gas. Be sure to smell next to the floor because some gas is heavier than air and will settle on the floor.

WHAT TO DO IF YOU SMELL GAS

- Do not try to light any appliance.
 - Do not touch any electric switch; do not use any phone in your building.
 - Immediately call your gas supplier from a neighbor's phone. Follow the gas supplier's instructions.
 - If you cannot reach your gas supplier, call the fire department.
- C. Use only your hand to push in or turn the gas control knob. Never use tools. If the knob will not push in or turn by hand, don't try to repair it, call a qualified service technician. Force or attempted repair may result in a fire or explosion.
 - D. Do not use this appliance if any part has been under water. Immediately call a qualified service technician to inspect the appliance and to replace any part of this control system and any gas control which has been under water.

LIGHTING INSTRUCTIONS

1. **STOP!** Read the safety information on page 11.
2. Open the bottom decorative grille.
3. Turn switch to "OFF". (See Fig. 26.)
4. Push in gas control knob slightly and turn clockwise to "OFF".

NOTE: Knob cannot be turned from "PILOT" to "OFF" unless knob is pushed in slightly. Do not force.

5. Wait five (5) minutes to clear out any gas. If you then smell gas, **STOP!** Follow "B" in the safety information. If you don't smell gas, go to next step.
6. Turn knob on gas control counterclockwise to "PILOT".
7. Push in control knob all the way and hold. Immediately start pushing red piezo button at least once every second until pilot lights. Continue to hold the control knob in for about one (1) minute after the pilot is lit. Release knob and it will pop back out. Pilot should remain lit. If it goes out, repeat Steps 4 through 7.
 - If the knob does not pop out when released, stop and call your service technician or gas supplier.
 - If the gas pilot will not stay lit after several tries, turn the gas control knob to "OFF" and call your service technician or gas supplier.
8. Turn gas control knob counterclockwise to "ON".
9. Turn switch to "ON". (See Fig. 27.) Switch is in same position for G2000pi and G2000adi.
10. If the fireplace is equipped with a blower. Use blower speed control to turn "ON/OFF" and to adjust the airflow.
11. Close bottom decorative grille.

TO TURN OFF GAS TO APPLIANCE

1. Open the bottom decorative grille.
2. Turn switch to "OFF". (See Fig. 26.)
3. Push in gas control knob slightly and clockwise to "OFF". Do not force.
4. Close the bottom decorative grille.

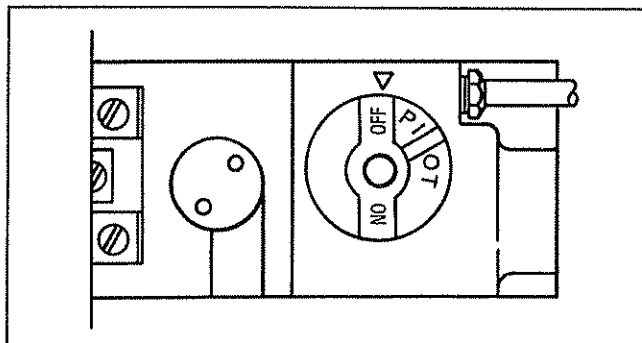


Fig. 26. Gas valve control knob.

4.2. Lighting Instructions for G2000adi Equipped With Direct Ignition System.

FOR YOUR SAFETY READ BEFORE LIGHTING

WARNING: IF YOU DO NOT FOLLOW THESE INSTRUCTIONS EXACTLY, A FIRE OR EXPLOSION MAY RESULT CAUSING PROPERTY DAMAGE, PERSONAL INJURY OR LOSS OF LIFE.

- A. This appliance does not have a pilot. It is equipped with an ignition device which automatically lights the burner.

DO NOT TRY TO LIGHT THE BURNER BY HAND.

- B. **BEFORE LIGHTING** smell all around the appliance area for gas. Be sure to smell next to the floor because some gas is heavier than air and will settle on the floor.

WHAT TO DO IF YOU SMELL GAS

- Do not try to light any appliance.
 - Do not touch any electric switch; do not use any phone in your building.
 - Immediately call your gas supplier from a neighbor's phone. Follow the gas supplier's instructions.
 - If you cannot reach your gas supplier, call the fire department.
- C. Use only your hand to push in or turn the gas control knob. Never use tools. If the knob will not push in or turn by hand, don't try to repair it, call a qualified service technician. Force or attempted repair may result in a fire or explosion.
- D. Do not use this appliance if any part has been under water. Immediately call a qualified service technician to inspect the appliance and to replace any part of this control system and any gas control which has been under water.


LIGHTING INSTRUCTIONS

1. **STOP!** Read the safety information above.
2. Open the bottom decorative grille.
3. Turn switch on the unit to "OFF". Turn wall switch "OFF" if used. Turn wireless remote if used to "OFF". (See Fig. 27.)
4. This appliance is equipped with an ignition device which automatically lights the burner. Do not try to light the burner by hand.
5. Turn the valve handle counterclockwise to "OFF". Valve handle is shown in "ON" position in Fig. 27.
6. Wait five (5) minutes to clear out any gas. If you then smell gas, **STOP!** Follow "B" in the safety information above. If you don't smell gas, go to next step.
7. Turn the valve handle clockwise to "ON". (See Fig. 27.)
8. Turn switch on the unit to "ON"; turn wall switch or wireless remote if used to "ON".
9. Close the bottom decorative grille.

LIGHTNING INSTRUCTIONS (CONTINUED)

10. Wait 30 seconds. If the appliance will not operate, follow the instructions "To Turn Off Gas To Appliance" and call your service technician or gas supplier.
11. If the fireplace is equipped with a blower, use blower speed control to turn "ON/OFF" and to adjust the airflow.

TO TURN OFF GAS TO APPLIANCE

1. Open the bottom decorative grille.
2. Turn switch to "OFF"; turn wall switch or wireless remote if used to "OFF".
3. Turn the valve handle counterclockwise  to "OFF".
4. Close the bottom decorative grille.

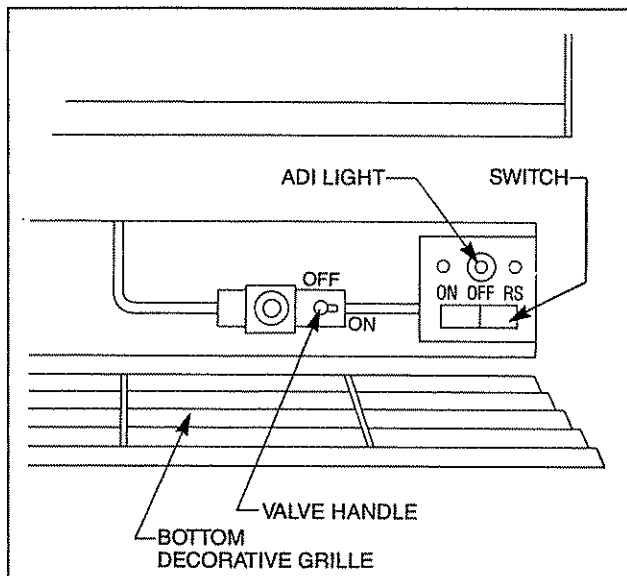


Fig. 27. G2000adi controls.

5. INSTALLATION OF OPTIONAL ACCESSORIES

□ 5.1. Outside Air Kit.

Install outside air kit if desired or required by local code. Refer to G1000-AK installation instructions supplied with the appropriate kit. This kit **MUST** be installed before the fireplace is enclosed.

The G1000-AK Outside Air Kit can be installed to Models G2000adi and G2000pi Series Fireplaces to bring combustion air to the fire chamber.

The air that is drawn into the fire chamber from outside the home or unheated area helps relieve the negative pressure in the home.

CONTENTS OF SHIPPING CARTON

Compare contents of shipping carton in Fig. 28, with actual parts received. If any parts are missing or damaged, contact your dealer before starting installation.

NOTE: Four (4) inch Class 1 ducting material or metal duct (not supplied) may be used with G1000-AK.

(For installation in New York State, only aluminum, noncombustible flexible or type "O" metal ducting is permissible.)

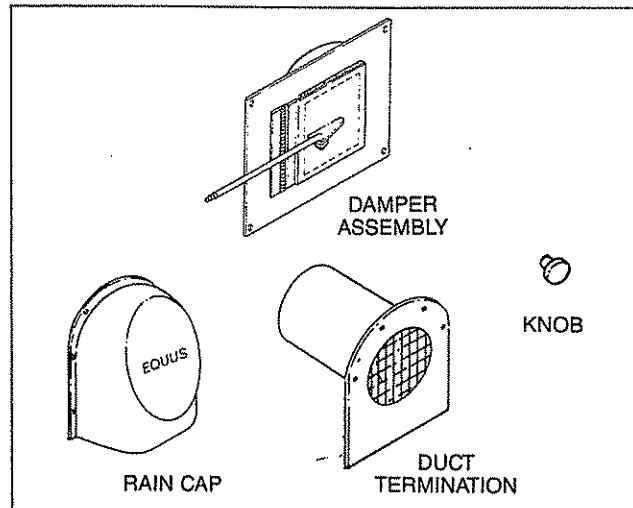


Fig. 28. Carton contents outside air kit.

INSTALLATION PRECAUTIONS

The duct termination should be located so it is exposed to an out-of-doors opening at least 100 square inches. If the duct termination must be located in a crawl space or basement, be sure the termination area has 100 square inches of ventilation opening to outside air.

The duct termination must be located so it does not compete for air flow with exhaust fans, gas vent hoods or other air consuming devices or appliances. It must not be obstructed by rafters, insulating materials or other obstructions. The less restrictive the air supply, the better the G1000-AK will perform. It is good practice to protect your hands and eyes during installation by wearing work gloves and safety glasses.

CAUTION: DO NOT INSTALL TERMINATION INTO A GARAGE OR OTHER AREA THAT COULD CONTAIN FLAMMABLE LIQUIDS OR FUMES, OR INTO AN ATTIC SPACE.

INSTALLATION INSTRUCTIONS

Determine the location of the fireplace as described in the fireplace Installation Manual. Then plan the location of the duct termination and the route of the duct run between the fireplace and the duct termination. Refer to Fig. 29. for location of the G1000-AK.

Duct run must be limited to a maximum distance of 40 feet from the fireplace pipe collar to duct termination. This will provide the least restriction to air flow. No more than four 90° elbows can be used. Duct run may be horizontal, vertical, inclined or any combination of these. Vertical duct runs must be at least three (3) feet below the fireplace chimney flue exit. (See Fig. 33.) You are now ready to install the G1000-AK Outside Air Kit.

1. Remove the four (4) screws, outside air cover plate and internal insulation knockout from the left side of the fireplace. (See Fig. 30.) Retain the screws for mounting the damper assembly to the fireplace. Discard the cover plate and insulation knockout.

2. You are now ready to install the air duct and the damper assembly. Insert the air duct into the hole in the outer casing, originally covered by the cover plate, until its side flanges contact the outer casing. (**Note:** Slot in air duct should be toward the front of the fireplace when installed.) Position the gasket to the backside of the damper assembly. Install the damper assembly by inserting its damper rod through the slot in the air duct and through the keyhole in the bottom of the left side brick retainer (See Fig. 31). The damper assembly should be positioned so the damper blade swings freely in operation.

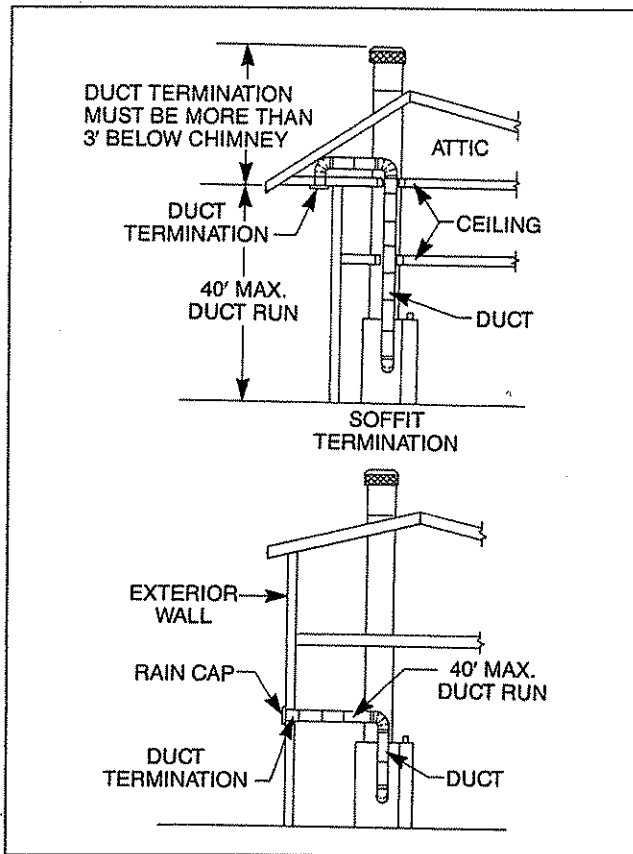


Fig. 29. Typical installations.

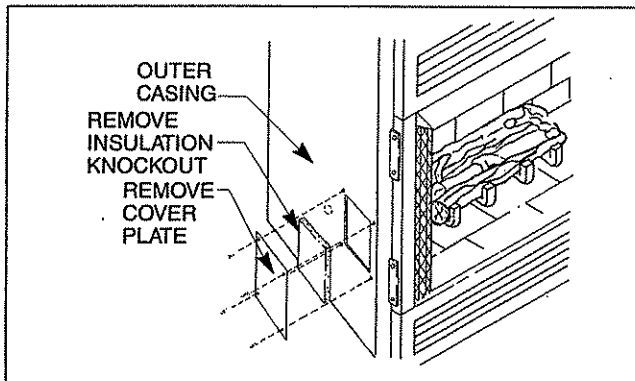


Fig. 30. Remove cover plate from the fireplace.

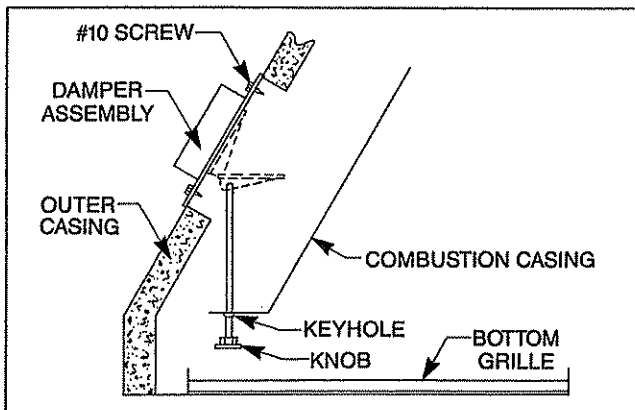


Fig. 31. Mounting damper assembly.

When positioned properly, attach the damper assembly to the outer casing by aligning the four (4) mounting holes and securing with four (4) screws removed in Step 1. Attach the knob to the threaded end of the damper rod.

3. Check to see if the damper operates correctly. Push and pull damper rod to check that damper blade freely opens and closes. The damper door is spring loaded and will close automatically when released unless it is locked in the open position. To lock open, lift the damper rod up and pull forward until the detent in the damper rod is engaged in the keyhole. Push the damper rod down to lock in place. To close, lift the damper rod up and release. The spring will close the damper door.

4. You are now ready to install the ducting to the collar on the outside air assembly. Attach the duct to the collar using three (3) screws (screws not provided). Continue attaching the ducting together using three (3) screws at each joint until you have installed sufficient duct to arrive at your duct termination location.

5. At the termination end, you should install the duct termination. This should be installed from the outside of the home and should be covered with the rain cap (the rain cap snaps on). Cut a hole in the desired location approximately 4½-inches in diameter, caulk around the hole and slide the termination with rain cap attached, through the opening from outside the home. The termination/rain cap should be caulked around its perimeter to assure a tight seal. The rain cap opening should be positioned downward. (See Fig. 32.)

6. Your G1000-AK Outside Air Kit is now installed and ready for use.

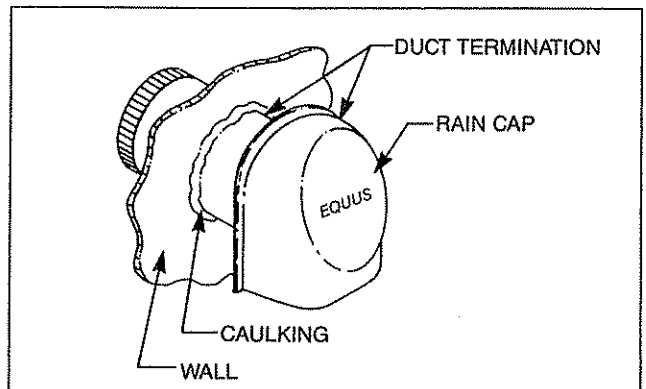


Fig. 32. Caulk and install duct termination/rain cap in place.

□ 5.2. Wired Remote Wall Switch. G2000pi and G2000adi

Refer to GWSK installation instructions for attachment. Attach red wire (connector end I, see Figs. 33. and 34.) of remote switch to short blue wire from control box (bottom right of fireplace) and white wire J connectors to the second short blue wire from control box.

Run the wall switch wire toward the left side and behind the valve box. Use the knockout hole in the electrical cover plate to bring the wire outside. Attach the wire to the wall switch. Mount the switch on the wall. Attach the cover plate.

This kit **MUST** be installed before the appliance is enclosed.

NOTE: This wired remote wall switch is for fireplaces using a self-generating power system. **NEVER CONNECT TO ANY OUTSIDE ELECTRIC POWER.**

□ 5.3. Wireless Remote Switch.

Position wireless remote sensor on bottom of fireplace. Attach one (1) connector J to short blue wire from the rocker switch and the other connector I to the second short blue wire from the rocker switch. See Fig. 33. (G2000pi) and Fig. 34. (G2000adi).

This kit may be installed **AFTER** appliance is enclosed.

Refer to installation instructions provided with remote switch for details.

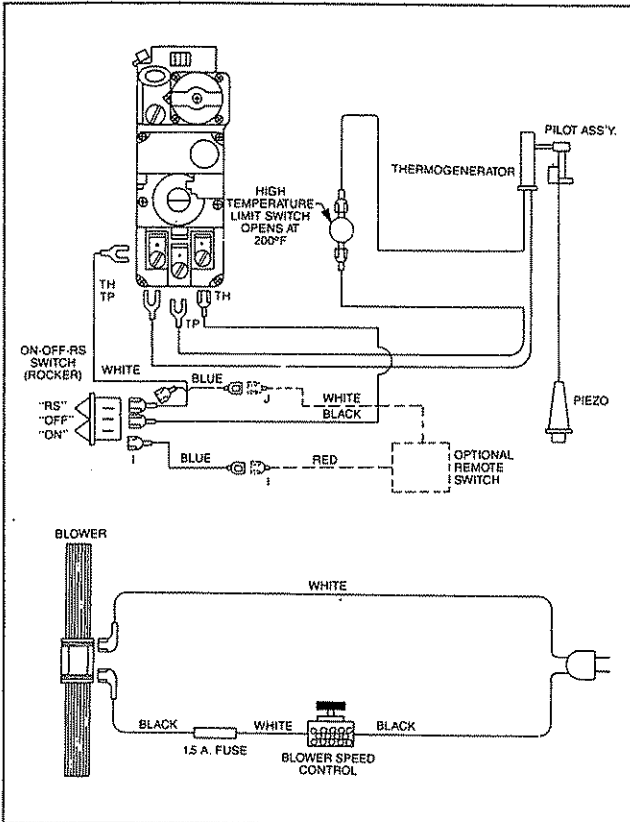


Fig. 33. G2000pi wiring diagram.

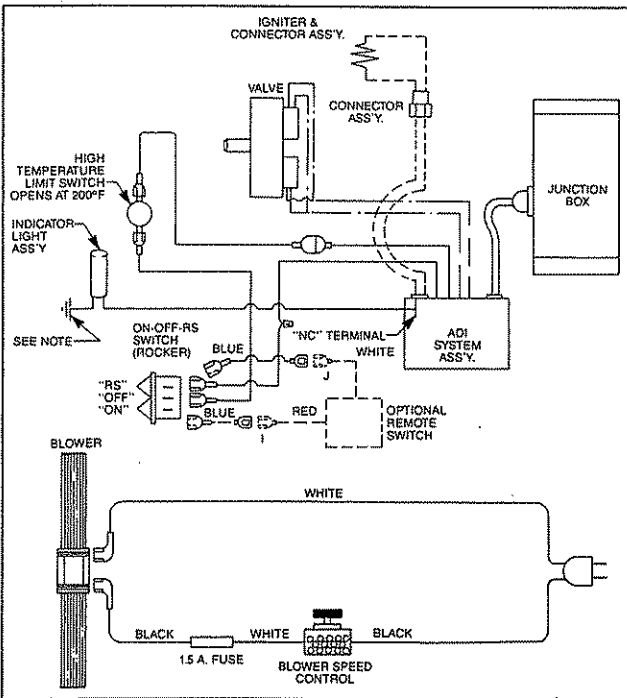


Fig. 34. G2000adi wiring diagram.

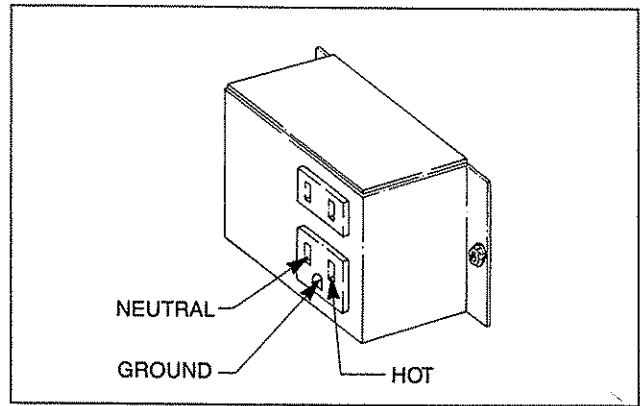


Fig. 35. G2000adi junction box.

□ 5.4. 32 Glass Panel Assembly Installation.

INSTALLATION

The G1000-GP32 Glass Panel Assembly (See Fig. 36.) may be installed only after the glass panel assembly currently in the G2000pi and G2000adi is removed.

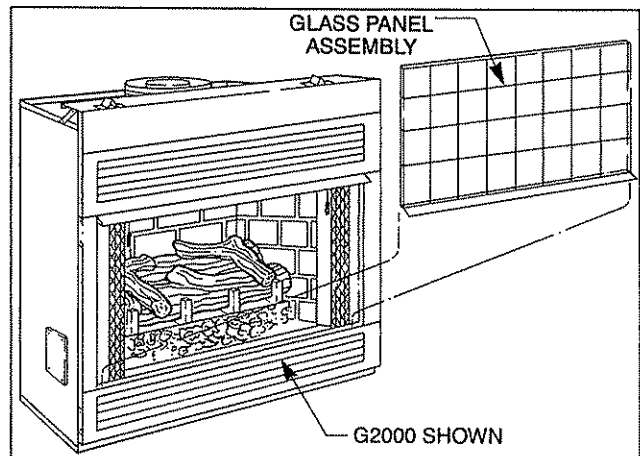


Fig. 36. Installation of G1000-GP32.

TO REMOVE GLASS PANEL

Grasp the bottom edge of the glass with both hands.

Move upward until bottom extension comes out of the bottom mounting brackets.

Tilt the bottom of the panel outward and lower the glass panel so the top comes out of the top mounting springs.

Now the glass panel is removed.

INSTALLING THE GLASS PANEL ASSEMBLY

Grasp the bottom edge of the glass with both hands.

Insert the top of the glass into top mounting springs.

Tilt the bottom edge of the glass toward the fireplace so that the bottom extension becomes aligned with bottom mounting brackets.

Gently lower the glass, making sure that the panel is secure in both the top and bottom mounting brackets.

CLEANING THE GLASS PANEL

The glass panel may require periodic cleaning. To clean, remove the glass as per the instructions above.

The glass can be cleaned using nontoxic, non-corrosive cleaning solution. Panel glass has been tempered — **Handle With Care!**

After cleaning, install glass panel assembly as per the instructions above.

6. MAINTENANCE

Keep the control compartment, logs and burner area surrounding the logs clean by vacuuming or brushing at least twice a year.

THE LOGS CAN GET VERY HOT – HANDLE ONLY WHEN COOL.

Always turn off gas to the pilot before cleaning. For relighting, refer to lighting instructions located on the rating plate.

The appliance and venting system should be inspected before initial use at least annually by a qualified field service person.

Always keep the appliance area clear and free from combustible materials, gasoline, and other flammable vapors and liquids.

Never obstruct the flow of combustion and ventilation air. Keep the front of the appliance clear of all obstacles and materials.

Leave at least 36" clearance from front of fireplace.

Blower bearings do not require lubrication.

□ 6.1. Cleaning The Glass Panel.

The glass panel may require periodic cleaning. To remove the glass panel:

- Grasp the bottom edge of the glass with both hands.
- Move upward until bottom comes out of the mounting brackets.
- Tilt the bottom of the panel outward and lower the glass panel so the top comes out of the mounting brackets.
- Now the glass panel is removed.

The glass can be cleaned using nontoxic, non-corrosive cleaning solution. Panel glass has been tempered – **Handle With Care!**

To replace the glass panel:

- Grasp the bottom edge of the glass with one hand and the top of the glass with other hand.
- Place the glass panel on guiding brackets.
- Insert glass into top mounting spring brackets.
- Tilt the bottom edge of the glass toward the fireplace.
- Gently lower the glass, making sure that the panel is secure in the bottom brackets.

□ 6.2. Inspecting The Venting System.

The fireplace venting system was designed and constructed to develop a positive flow adequate to remove flue gases to the outside atmosphere.

Any foreign objects in the venting system, except those designed specifically for the venting system, may cause spillage of the flue gases into the room. In extreme situations, carbon monoxide poisoning or suffocation may occur.

To inspect the venting system, make sure that the main gas valve is off. Remove the glass panel. Using a flashlight, check the area between the downdraft deflector and the combustion dome. Clean if necessary.

For complete inspection of the venting system, it is necessary to remove the thermal vent damper. Hold the damper while removing the second screw so that the damper will not fall on the burner. (See Fig. 38.)

Inspect the venting system, clean if necessary. Reinstall the vent damper in the proper position with tab down.

Replace the glass panel. Also check the flue system termination top for foreign materials which may block flow of flue gases.

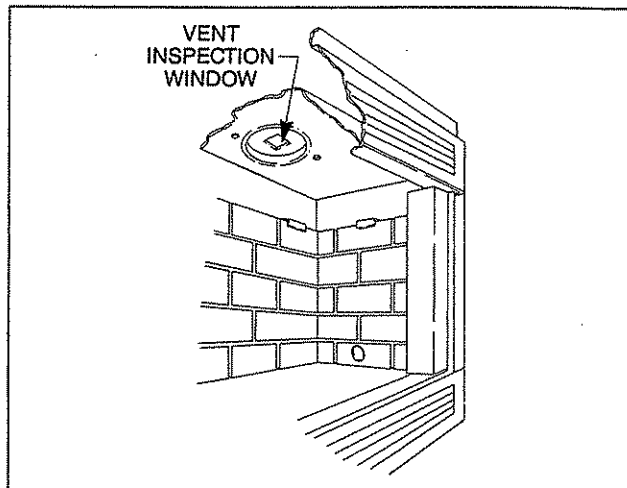


Fig. 37. Vent inspection window location.

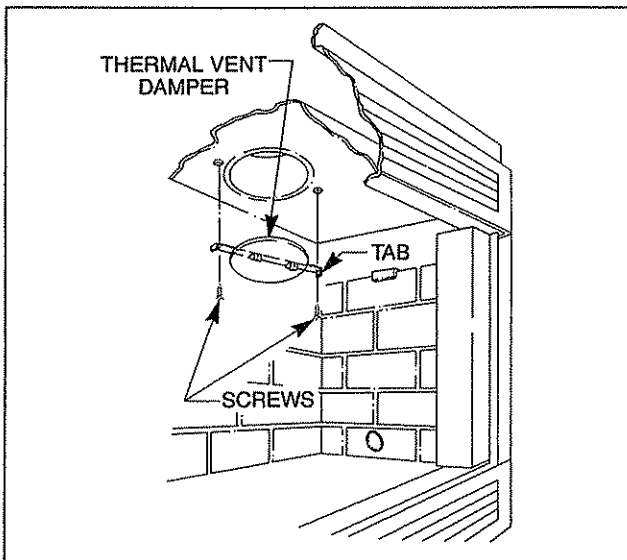


Fig. 38. Insertion of thermal vent damper.

□ 6.3. G2000pi Maintenance.

The G2000pi burner/control system consists of:

- Main burner.
- Gas orifice.
- Pilot burner.
- Thermogenerator.
- Grate.
- Four (4) cement logs.
- Combination millivolt gas valve.
- Piezo ignitor.
- High temperature limit switch.
- ON-OFF-RS Switch.
- Thermal vent damper.
- Blower with variable speed control.
- Burning Embers (lava rocks).

Optional components are:

- Remote wall switch.
- Wireless remote switch.
- Outside air kit.
- Beveled glass.

Most of these components may require only occasional checkup and cleaning and some may require adjustment. If repair is required, it should be performed by a qualified technician.

In order to properly clean the burner and pilot assembly, turn off the gas to the unit, remove the glass panel and logs exposing the burner and pilot assembly. Clean all foreign materials from top of burner. Check to make sure that burner parts are clean. Visually inspect pilot. Brush or blow away any dust or lint accumulations. If pilot orifice is plugged, disassembly may be required to remove any foreign material from orifice or tubing. When appliance is put back in service, check burner flame patterns with Fig. 24.

Check thermal vent damper. When fireplace is not in use, the two (2) separate sections of the vent damper should be closed. The vent damper opens only when heat is applied (burner on). Each of the two (2) sections bend down and become approximately parallel with the flow of exhausting flue gases.

To obtain proper operation, it is imperative that the pilot and main burner flame characteristics are steady, not lifting or floating.

Typically, the top $\frac{3}{4}$ -inch at the pilot generator should be engulfed in the pilot flame. (See Fig. 39.)

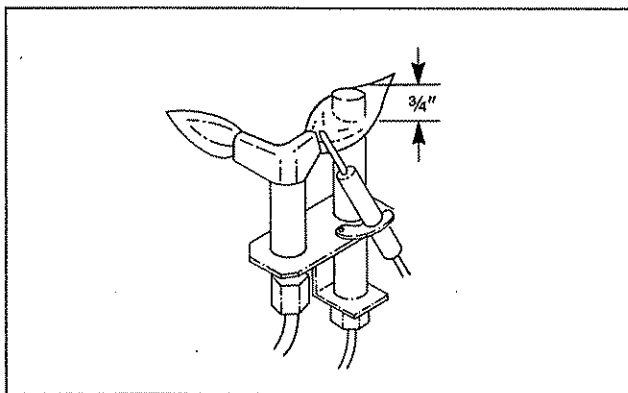


Fig. 39. Typical view of pilot burner flame.

□ 6.4. G2000adi Maintenance.

The G2000adi burner/control system consists of:

- Main burner.
- Gas orifice.
- Hot surface ignitor.
- Grate.
- Four (4) cement logs.
- Combination 24VAC valve.
- ADI system.
- High temperature limit switch and exhaust air.
- ON-OFF-RS Switch.

7. FINISHING MATERIALS

The easiest way to personalize your installation is to finish it with wood crafted mantle pieces and a wide variety of facing materials. Contact your nearest distributor for more information.

8. REPLACEMENT PARTS

Contact the factory for questions concerning prices and policies covering replacement parts. Parts will be shipped at prevailing prices. Normally, all parts can be ordered through your Majco Building Specialties, L.P. distributor or dealer.

When ordering repair parts, always give the following information:

1. The model number of the appliance.
2. The part number.
3. The description of the part.
4. The installation date of the appliance.

Should you need additional information, beyond what the dealer can furnish, contact Majco Building Specialties, L.P., Huntington, Indiana 46750. Attention: Director of Customer Service.

8. G2000 FIREPLACE REPLACEMENT PARTS (Continued)

G2000pi/G2000adi COMMON COMPONENTS		
ITEM NO.	DESCRIPTION	PART NO.
1	BRASS HOOD	51-10-139
2	LAVA ROCKS	75-40-400
3	THERMAL DISK	75-22-314
4	TUBING ASSEMBLY	51-10-175
5	Y TOP LOG	39-93-104
6	L TOP LOG	39-93-105
7	FRONT LOG	39-93-106
8	REAR LOG	39-93-107
9	ON-OFF-RS SWITCH	75-22-355
10	BRASS FITTING	75-23-136
11	ORIFICE (NAT. GAS) ORIFICE (PROPANE)	75-35-148 75-35-146
12	JUNCTION BOX	51-10-124
13	BLOWER	51-81-107
14	GLASS PANEL	51-10-138

G2000pi COMPONENTS		
ITEM NO.	DESCRIPTION	PART NO.
15	GAS VALVE (NAT. GAS) GAS VALVE (PROPANE)	75-29-109 75-29-110
16	PIEZO IGNITOR	75-92-101
17	PILOT BURNER (NAT. GAS) PILOT BURNER (PROPANE)	75-31-122 75-31-123
18	PILOT TUBING	75-49-144
19	THERMOGENERATOR	75-33-111
20	BURNER & GRATE ASSEMBLY	51-10-163

G2000adi COMPONENTS		
ITEM NO.	DESCRIPTION	PART NO.
21	IGNITOR BRACKET	39-94-123
22	IGNITOR AND CONNECTOR ASSEMBLY	75-92-105
23	GAS VALVE (NAT. GAS) GAS VALVE (PROPANE)	75-29-116 75-29-117
24	INDICATOR LIGHT ASSEMBLY	39-94-115
25	ADI SYSTEM ASSEMBLY	48-30-100

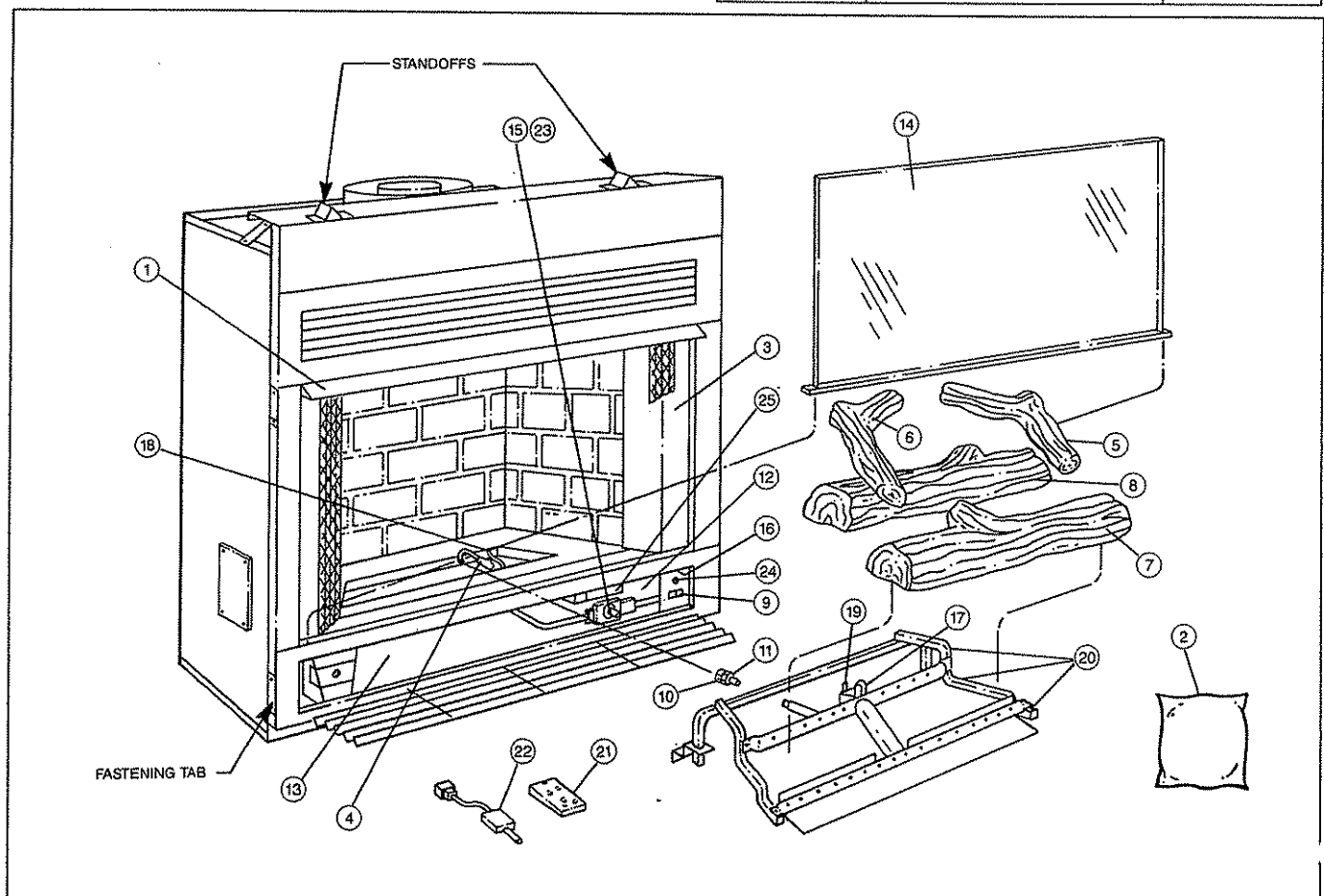


Fig. 40. G2000 fireplace parts.

9. TROUBLESHOOTING AND REPAIRS

With proper installation and maintenance, your new Gas Fireplace should provide years of trouble-free service. If you do experience a problem, refer to the troubleshooting guide below. This guide will assist you or a qualified service person in the diagnosis of problems and the corrective action to be taken.

WARNING: All repairs of burner equipped with ADI system should be performed by an approved electrician or a person familiar with troubleshooting of electrical equipment. **CAUTION:** High Voltage.

☐ 9.1. G2000pi.

SYMPTOM	POSSIBLE CAUSES	CORRECTIVE ACTION
1. Match will not light pilot.	<ul style="list-style-type: none"> A. Main shutoff valve closed. B. Air in the gas line. C. Valve knob not in "PILOT" position and depressed. D. Pilot orifice plugged up not allowing gas to flow. E. No gas supply to the fireplace. 	<ul style="list-style-type: none"> 1. Make sure that the shutoff valve located on the pipe supplying gas to the fireplace is open. 1. Light a match, turn valve knob to "PILOT" position and depress. Keep match near pilot burner until it lights up. 1. Turn valve knob to "PILOT" position (refer to Section 4.1.) and depress. Keep match near pilot burner until it lights up. 1. This repair requires tools and some degree of experience. Ask serviceman for assistance. 1. Check plumbing to see if gas fireplace has been hooked up to the gas supply line.
2. Spark ignitor will not light after repeated triggering of red button.	<ul style="list-style-type: none"> A. Defective ignitor (no spark at electrode). B. Defective or misaligned electrode at pilot (spark at electrode). 	<ul style="list-style-type: none"> 1. Check for spark at electrode and pilot; if no spark and electrode wire is properly connected, replace ignitor. 1. Using a match, light pilot. If pilot lights, turn off pilot and trigger the red button again. If pilot lights, an improper gas/air mixture caused the bad lighting and a longer purge period is recommended. If pilot will not light – check gap at electrode and pilot – should be 1/8-inch to have a strong spark. If OK, replace pilot.
3. Pilot will not stay lit after carefully following lighting instructions.	<ul style="list-style-type: none"> A. Defective thermogenerator. B. Weak pilot flame. C. Wire connections not tight. D. Grounded wire. E. Defective automatic valve operator. 	<ul style="list-style-type: none"> 1. Check thermogenerator with millivolt meter as follows: Place meter test probes or clips on terminals marked TH&TP or TP. There should be no wire connected to terminal marked TH. Light pilot and take readings. Meter reading should be greater than 325 mV. If not, see "Possible Causes" B & C. 1. Pilot flame must engulf on thermogenerator. Clean and/or adjust pilot for maximum flame impingement on thermogenerator. (See Fig. 39.) 1. Be sure that wire connections from thermogenerator at gas valve terminals are tight and generator is fully inserted into pilot bracket. If reading is still less than 325 mV, replace thermogenerator. 1. One of the wall switch wires may be grounded. Remove wall switch from valve terminals if pilot now stays lit. Trace wall switch wiring for a ground. May be grounded to furnace or gas supply. 1. Replace gas valve.

9.1. G2000pi Troubleshooting (Continued).

SYMPTOM	POSSIBLE CAUSES	CORRECTIVE ACTION
4. No gas to main burner valve knob "ON", switch "ON". If installed; wall switch "ON", wireless remote switch "ON".	<p>A. Switch or switch wires defective. Wall switch or wall switch wires defective. Wireless remote switch or wireless remote switch wires defective.</p> <p>B. Defective automatic valve operator.</p>	<p>1. Put jumper wires across terminals TH&TP and TH on the valve. If burner comes on, defective switch or switch wires. Check wires and switch. Replace if necessary.</p> <p>If burner does not come on:</p> <p>1. Turn valve knob to "ON", switch "ON" (if installed, place wall switch to "ON", wireless switch to "ON"). Connect meter leads to valve terminal TP and terminal TH. Millivolt readings should be greater than 100 mV. If the reading is OK and burner does not come on, replace the gas valve.</p>

9.2. G2000adi.

WARNING: All repairs of burner equipped with ADI system should be performed by an approved electrician or a person familiar with troubleshooting of electrical equipment. **CAUTION:** High Voltage.

SYMPTOM	POSSIBLE CAUSES	CORRECTIVE ACTION
1. Ignitor does not glow. If installed: wall switch "ON", wireless remote switch "ON", ADI power plug in the 120 VAC, receptacle.	<p>A. Broken ignitor.</p> <p>B. Loose connection between ignitor plug and ADI socket.</p> <p>C. Defective high temperature limit switch, limit switch wires, wall switch wires, wireless remote switch.</p> <p>D. No power to the ADI system.</p>	<p>1. Check ignitor and replace if necessary. (See Fig. 40.)</p> <p>1. Check if ignitor is properly plugged in.</p> <p>1. Disconnect two (2) wires from the high temperature limit switch and switch circuit. Connect two (2) red wires from ADI box together. If ignitor glows, reconnect red wires to high temperature limit switch wires (from the fireplace box). By-pass wall switch or wireless remote switch.</p> <p>2. If ignitor does not glow, defective high temperature limit switch or limit switch wires, distributor/manufacture assistance is required.</p> <p>3. If ignitor glows, disconnect limit switch and connect wall or wireless remote switch. If ignitor does not glow, defective switch or wires.</p> <p>1. Check if circuit breaker (house circuit) is on.</p>
2. No gas to the burner yet ignitor glows.	<p>A. Main shutoff valve closed.</p> <p>B. Loose valve/wire connector.</p> <p>C. Defective coils.</p>	<p>1. Make sure the shutoff valve located on the pipe supplying gas to the burner is open.</p> <p>1. Check if all four (4) valve wire connectors are properly inserted into gas valve coil sockets.</p> <p>1. Replace coils, distributor/manufacture assistance is required.</p>
3. Burner briefly "ON".	<p>A. Ignitor shield is not grounded.</p> <p>B. Reversed "hot" and "neutral" wires in the fireplace junction box.</p>	<p>1. Using ohmmeter, check resistance between ignitor shield and ADI box, it should be less than .5 (OHM).</p> <p>1. See Fig. 35 for proper polarity, check polarity with voltmeter, if polarity is reversed, correct the problem.</p>

9.3. G2000pi and G2000adi.

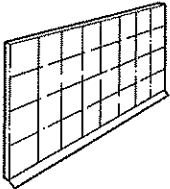
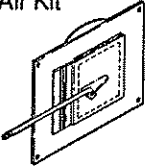
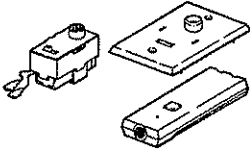
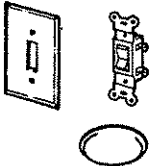
WARNING: All repairs of blower and its control system should be performed by an approved electrician. **CAUTION:** High voltage. Always disconnect power to the appliance before servicing or repairing.


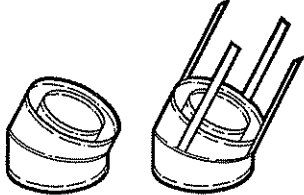
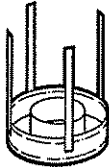
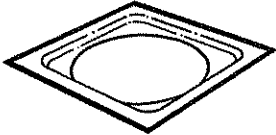
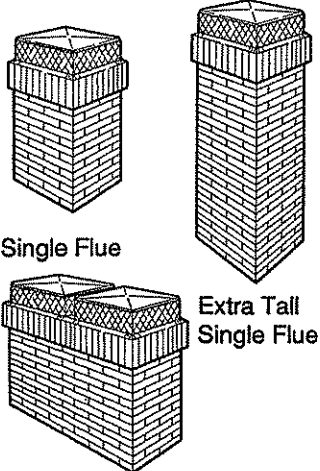
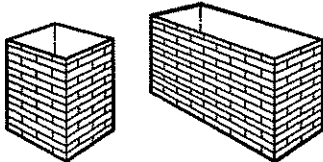
SYMPTOM	POSSIBLE CAUSES	CORRECTIVE ACTION
1. Blower will not operate.	<p>A. No power to the blower.</p> <p>B. Blower fuse is "blown off". It could be an indication of a blower problem.</p>	<p>1. Check if blower is inserted into the receptacle.</p> <p>2. Check if all wires in the blower circuit are properly connected.</p> <p>3. Check if circuit breaker (house circuit is on).</p> <p>1. Replace blower assembly.</p>

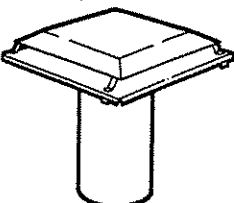
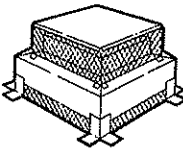
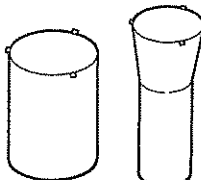
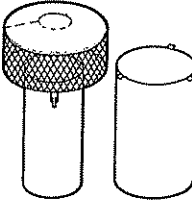
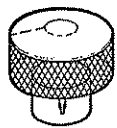

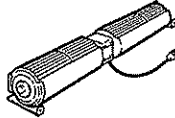
10. ACCESSORY PARTS

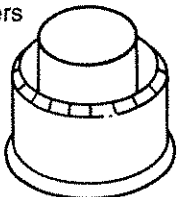
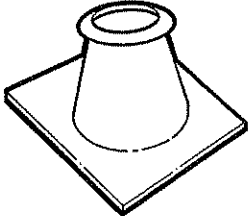
The following accessory parts can be obtained from your Dealer. The outside air kit, beveled glass door, wireless remote control switch, remote wall switch, top terminations and hearth patching kit are supplied with installation instructions packaged with the unit. Should you need additional information beyond what your dealer can furnish, contact Majco Building Specialties, L.P., Huntington, Indiana 46750, Attention: Director of Customer Service.

CAUTION: This fireplace and SK8, Type "B" gas vent chimney assembly are a highly engineered system, unless you use Model SK8, Type "B" Gas Vent Chimney components which have been designed for the system, you may create a possible fire hazard. If you use an unapproved component or make any modifications, you may create a possible fire hazard and will void the Majco Building Specialties, L.P. warranty. In addition, such action may void the coverage provided by the owner's home insurance.

Accessory	Description	Model No.
<p>Beveled Glass Door Kit</p> 	Optional Glass Door Panel – 32 Pane.	G1000-GP32
<p>Outside Air Kit</p> 	Designed to provide outside air to the firebox.	G1000-AK
<p>Wireless Remote Control</p> 	May be used to turn the burner on and off from a remote location.	SRC (Easy Flame®)
<p>Remote Wall Switch</p> 	Designed to provide remote on and off control of burner flame.	GWSK

Accessory	Description	Model No.
<p>"SK" Chimney Sections</p> 	<p>Used to build "SK" chimney systems.</p>	<p>8" flue SK81 (1' long) SK818 (1½' long) SK83 (3' long) SK84 (4' long)</p>
<p>"SK" Chimney Elbows</p> 	<p>Used to develop offset chimney systems. Only 30° elbows are available. (8-inch elbows are packed two (2) per carton – upper and lower elbow set.)</p>	<p>SK830/2 (8" 30° flue)</p>
<p>Chimney Support</p> 	<p>Used to support the chimney at each 30 feet of vertical height above the hearth and at every 6 feet of inclined chimney run. Each support adds 2½-inches to chimney length.</p>	<p>SKCS8 (8" flue)</p>
<p>Firestop</p> 	<p>Required at each floor level and attic on multi-story installation.</p>	<p>SKFS2A (8" straight flue) SKFS6A (8" 30° inclined flue)</p>
<p>Traditional Top Housings</p>  <p>Single Flue</p> <p>Extra Tall Single Flue</p> <p>Double Flue</p>	<p>Gives traditional chimney top look using simulated brick in red, tan or white color. Brick pattern is embossed into galvanized steel unit. Roof flashing is included. Must use Model TG Gas Vent Adapter when using other than "SK" chimney components.</p>	<p>T20A/T20B (single flue) TL20A/TL20B (extra tall single flue) T44A/T44B (double flue)</p>
<p>Housing Extensions</p> 	<p>Required to extend Traditional Top Housings on steeply pitched roofs.</p>	<p>202036 (single flue) 204436 (double flue)</p>

Accessory	Description	Model No.
<p>Gas Vent Adapter Kit</p> 	<p>Used as a termination for gas pipe.</p>	<p>TG</p>
<p>Contemporary Chase Top Termination</p> 	<p>Used to terminate chimney at the top of a chase. Flashing is not included. Must use Model TG Gas Vent Adapter when using other than "SK" components.</p>	<p>TT200B/TT200C</p>
<p>Adapter Kit</p> 	<p>Required to unite chimney with Contemporary Chase Top.</p>	<p>SKTT8CB (8" flue)</p>
<p>Extended Round Top Chase Termination</p> 	<p>For use with Model "SK" Chimney systems. Used to terminate chimney at the top of a chase. Flashing not included.</p>	<p>SKC8-36L or SKC8-42L</p>
<p>Contemporary Round Top Termination</p> 	<p>Used to terminate chimney on the roof. Flashing not included.</p>	<p>SKC8-36 or SKC8-42</p>
<p>Chase Top Flashing</p> 	<p>Used with chase terminations to prevent rain entry.</p>	<p>FL88 (8" flue)</p>
<p>Blower System</p> 	<p>Designed for use with the G2000 Series fireplace to provide forced air flow.</p>	<p>G2000-FK</p>

Accessory	Description	Model No.
B-vent Adapters 	Required to unite B-vent chimney when "SK" chimney components are not used.	BVA-8
Contemporary Flashing 	Required for contemporary round top termination on the roof to prevent rain entry.	8-6-12 (8" flue: 0 to 6/12 pitch) 8-12-12 (8" flue: 6/12 to 12/12 pitch)
Hearth Patching Kit	Used to patch cracks in hearth.	HPC1