

# heatilator®

*The first name in fireplaces*

Hearth Technologies-Mt. Pleasant  
1915 W. Saunders Street  
Mt. Pleasant, Iowa 52641  
Division, HON INDUSTRIES  
[www.heatilator.com](http://www.heatilator.com)



## INSTALLATION & OPERATING INSTRUCTIONS OUT42 OUTDOOR WOODBURNING FIREPLACE



**This fireplace must be installed outside. Significant cold air infiltration will result if it is installed inside a structure.**

### **WARNING!**

**Improper installation, adjustment, alteration, service or maintenance can cause injury or property damage. Refer to this manual. For assistance or additional information, consult a qualified installer, service agency or the gas supplier.**

**Table of Contents**

Safety Precautions ..... 2  
 A. Listings and Code Approvals ..... 3  
 B. Description of the Fireplace System ..... 3  
 C. Fireplace System Components ..... 4  
 D. Pre-Installation Preparation ..... 8  
 E. Chimney Requirements ..... 10  
 F. Installation of Fireplace ..... 12  
 G. Operating Instructions ..... 21  
 H. Maintenance Instructions ..... 25  
 Index ..... 27  
 Warranty ..... 28

**CAUTION:**

**Do not expose the fireplace to the elements (i.e. rain, etc.) and keep the fireplace dry at all times. Wet insulation will produce an odor when the fireplace is used.**

**SAFETY PRECAUTIONS**

1. Please read these installation instructions completely before beginning installation procedures. Failure to follow them could cause a fireplace malfunction resulting in serious injury and/or property damage.
2. Always check your local building codes prior to installation. The fireplace installation must comply with all local, regional, state and national codes and regulations.
3. An adequate supply of replacement combustion air from outside the house must be available to the fire for the fireplace to operate properly. To achieve this, the use of the optional outside air kit is highly recommended.  
  
 In the event the home is unusually tightly sealed, the optional combustion air kit may not provide all the air required to support combustion. Hearth Technologies Inc. is not responsible for any smoking or related problems that may result from the lack of adequate combustion air. It is the responsibility of the builder/contractor to ensure that adequate combustion air has been provided for the fireplace.
4. This fireplace must be installed with the Hearth Technologies Inc. (HTI) SL Series Chimney System.  
  
 The chimney system must always terminate outside the building. Be sure to follow all chimney specifications given in these installation instructions.
5. **NEVER** leave children unattended when there is a fire burning in the fireplace.
6. This woodburning fireplace is built for solid fuel only. **NEVER** use gasoline, gasoline type lantern fuel, kerosene, charcoal lighter fluid, or similar liquids in this fireplace. Keep any flammable liquids a safe distance from the fireplace.
7. **DO NOT** use chimney cleaners or flame colorants in your fireplace.
8. The flue damper must be open at all times when the fireplace is in use.
9. While servicing this fireplace, always shut off any electricity or gas to the fireplace. This will prevent possible electric shock or burns. Also, make sure the fireplace is completely cooled before servicing.
10. To ensure a safe fireplace system and to prevent the build up of soot and creosote, inspect and clean the fireplace and chimney prior to use and periodically during the burning season. See page 25 for cleaning instructions.

## A. LISTINGS AND CODE APPROVALS

This fireplace system has been tested and listed in accordance with UL 127 standards, and has been listed by Underwriters Laboratories Inc. for installation and operation in the United States as described in this manual.

This fireplace has been tested and listed for use with the optional components listed on page 4. These optional components may be purchased separately and installed at a later date. However, installation of a dual cooling air kit is required and must be installed at the time of the initial fireplace installation. Failure to do so may result in a fire causing property damage and/or personal injury.

Check with your local building code agency prior to installing this fireplace to ensure compliance with local codes, including the need for permits and follow-up inspections. If you need assistance during installation, please contact your local dealer or the Heatilator Technical Services Department, Hearth Technologies Inc., 1915 W. Saunders St., Mt. Pleasant, Iowa 52641 (1-800-843-2848).

Heatilator® is a registered trademark of Hearth Technologies Inc., Division, HON INDUSTRIES.

### WARNING!

This fireplace and its components are designed to be installed and operated as a system. Any alteration to or substitution for items in this system, unless allowed by these installation instructions, will void the Underwriters Laboratories listing and may void the product warranty. It may also create a hazardous installation. Read through these instructions thoroughly before starting your installation and follow them carefully throughout your project.

## B. DESCRIPTION OF THE FIREPLACE SYSTEM

The Heatilator fireplace system consists of the following:

- a. Fireplace/Integral Grate/Cooling Air System
  - b. Refractory
  - c. Chimney Termination Cap
  - d. Chimney System
  - e. Hearth Extension
2. Optional Components Include:
- a. Glass Doors
  - b. Weather Cover

**Note:** Illustrations used throughout these instructions reflect "typical installations" and are for design purposes only. Actual installation may vary slightly due to individual design preferences. However, minimum and maximum clearances must be maintained at all times.

The illustrations and diagrams used throughout these installations instructions are not drawn to scale.

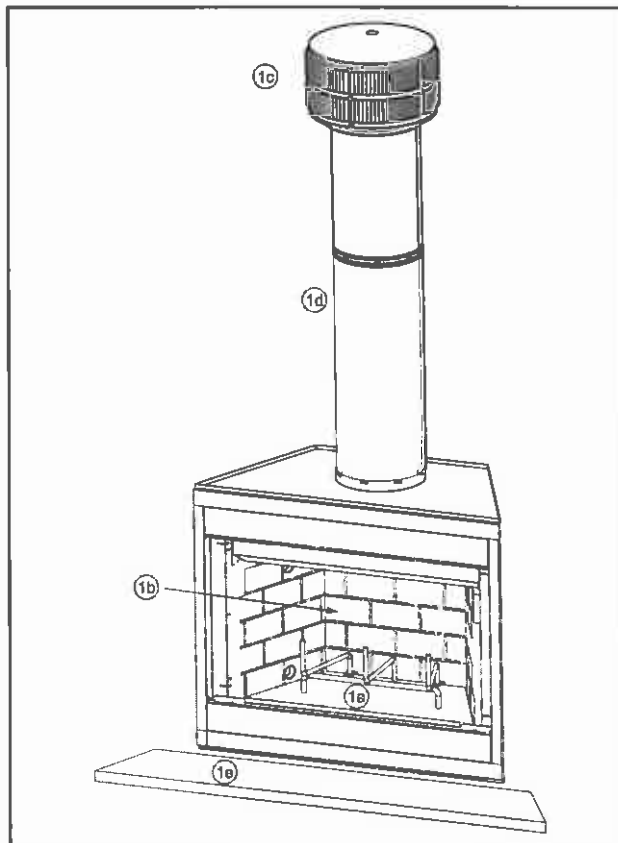


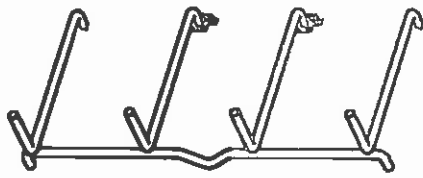
Figure 1 - Typical Fireplace System

The first name in fireplaces

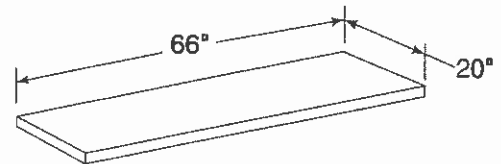
## C. FIREPLACE SYSTEM COMPONENTS

### 1. Fireplace Components

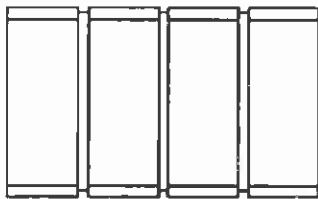
Catalog #	Description:
OUT42	Fireplace, with Integral Grate, Cooling Air Kit and Hearth Protection Strips
DM1842	Bi-fold Glass Doors, Clear-View - Black
DM1842B	Bi-fold Glass Doors, Clear-View - Polished Brass
DM1842S	Bi-fold Glass Doors, Clear-View - Stainless Steel
HX4	Hearth Extension
WC42S	Weather Cover - Stainless Steel
GR21	Integral Grate (included with Fireplace)



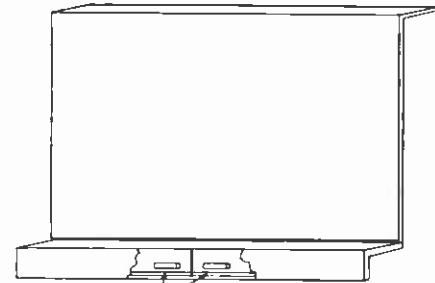
GR21 Integral Grate



HX4 - Hearth Extension

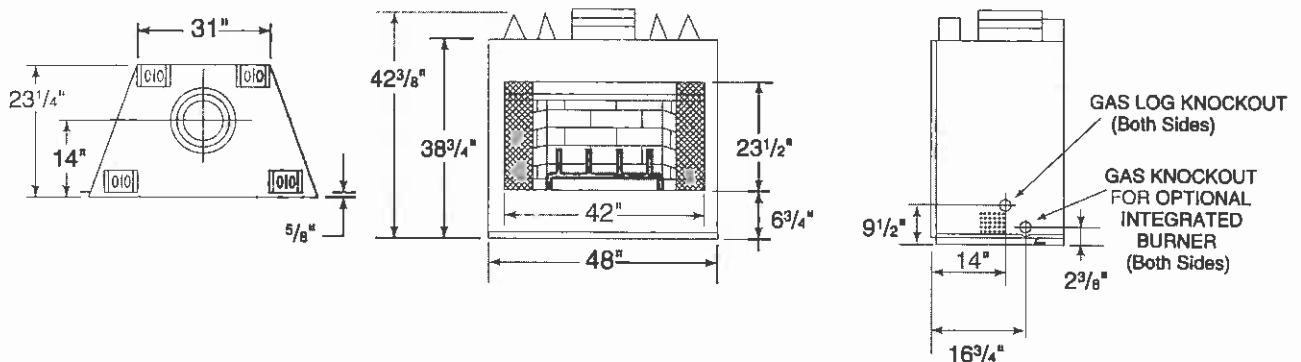


Bi-Fold Glass Doors  
DM1842  
DM1842B  
DM1842S



GLASS DOOR  
(HANDLES ENCLOSED  
BY WEATHER COVER)

WC42S - Weather Cover



Fireplace Dimensions

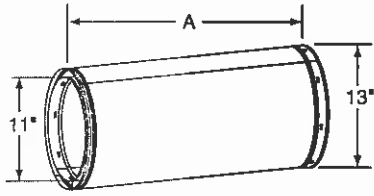
The first name in fireplaces

**2. Chimney Components**

The following pictures show only those chimney components which may be safely used with this fireplace.

Catalog #	Description:
CAK5A	Chimney Air Kit
SL1106	Chimney Section - 6" long
SL1112	Chimney Section - 12" long
SL1118	Chimney Section - 18" long
SL1136	Chimney Section - 36" long
SL1148	Chimney Section - 48" long
SL11	Chimney Stabilizer
SL1130	Chimney Offset/Return - 30°
FS538	Firestop - Straight
FS540	Firestop - 30°
AS10	Straight Attic Insulation Shield, 24"
JB577	Chimney Joint Band
CB576	Chimney Bracket
RF570	Roof Flashing - Flat to 6/12 Pitch
RF571	Roof Flashing - 6/12 to 12/12 Pitch
TR11	Round Termination Cap
TR11T	Round Telescoping Termination Cap
ST1175	Square Termination Cap
CT56	Chase Top
LDS33	Decorative Shroud - 3' x 3'
LDS46	Decorative Shroud - 4' x 6'

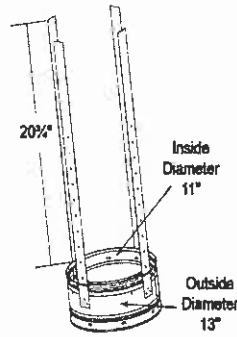
The first name in fireplaces



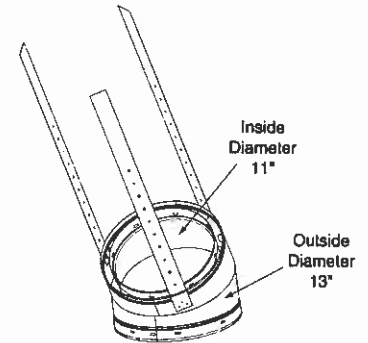
**Chimney Sections**

Catalog #	A	B
SL1106	6"	4 $\frac{1}{4}$ "
SL1112	12"	10 $\frac{3}{4}$ "
SL1118	18"	16 $\frac{3}{4}$ "
SL1136	36"	34 $\frac{3}{4}$ "
SL1148	48"	46 $\frac{3}{4}$ "

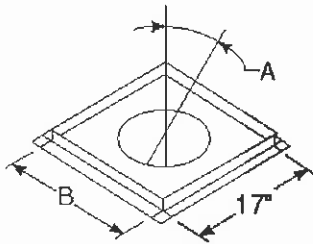
A = Actual length  
B = Effective length (length of chimney part after it has been snapped to another)



**SL11 - Chimney Stabilizer**

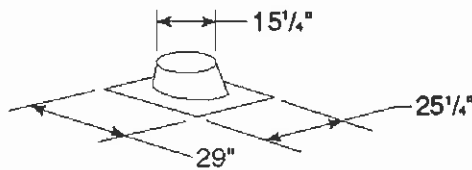


**SL1130 - Offset/Return**

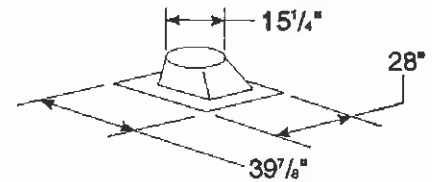


**Firestop Spacer**

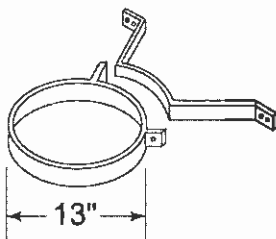
Catalog #	A	B
FS538	0°	17"
FS540	30°	26"



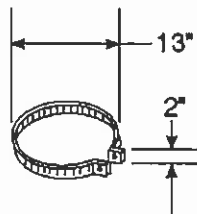
**RF570 - Roof Flashing  
Flat to 6/12 Pitch**



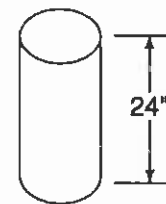
**RF571 - Roof Flashing  
6/12 to 12/12 Pitch**



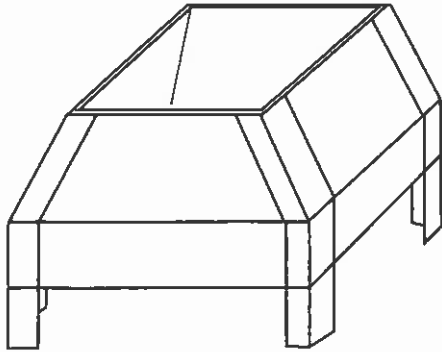
**CB576  
Chimney Bracket**



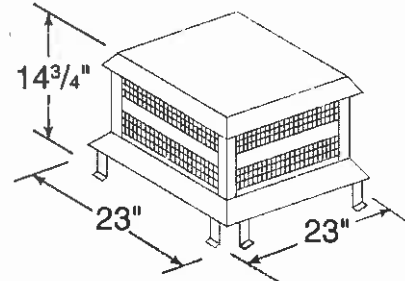
**JB577  
Joint Band**



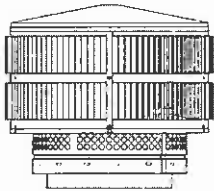
**AS10  
Straight Attic  
Insulation Shield**



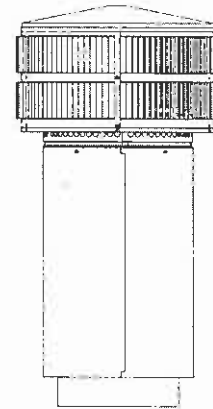
LDS33 (3' x 3')  
LDS46 (4' x 6')  
Decorative Shroud



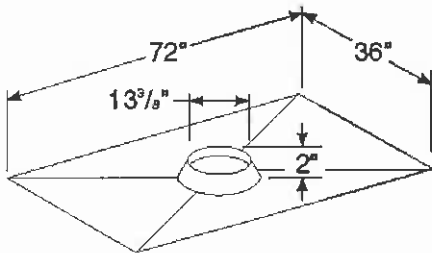
ST1175  
Square  
Termination Cap



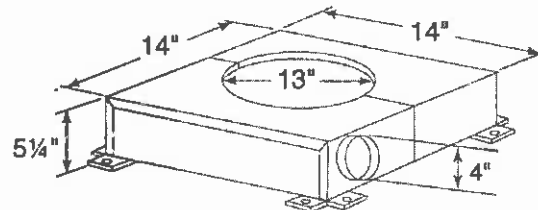
TR11  
Round  
Termination Cap



TR11T  
Round Telescoping  
Termination Cap



CT56  
Chase Top



CAK5A  
Chimney Air Kit

*The first name in fireplaces*

## D. PRE-INSTALLATION PREPARATION

### 1. Fireplace Locations and Space Requirements

This fireplace is intended for installation on an outdoor patio or in your yard. It must never be installed inside of the warm air envelope of your structure. Significant cold air infiltration will result if it is installed inside of the structure. Figure 2 shows two typical installations.

Figures 3 and 4 show two typical installations assuming an outside air kit is being used. Therefore, an allowance must be made for 90° bends. Less space is required when ducting goes directly outside without forming elbows.

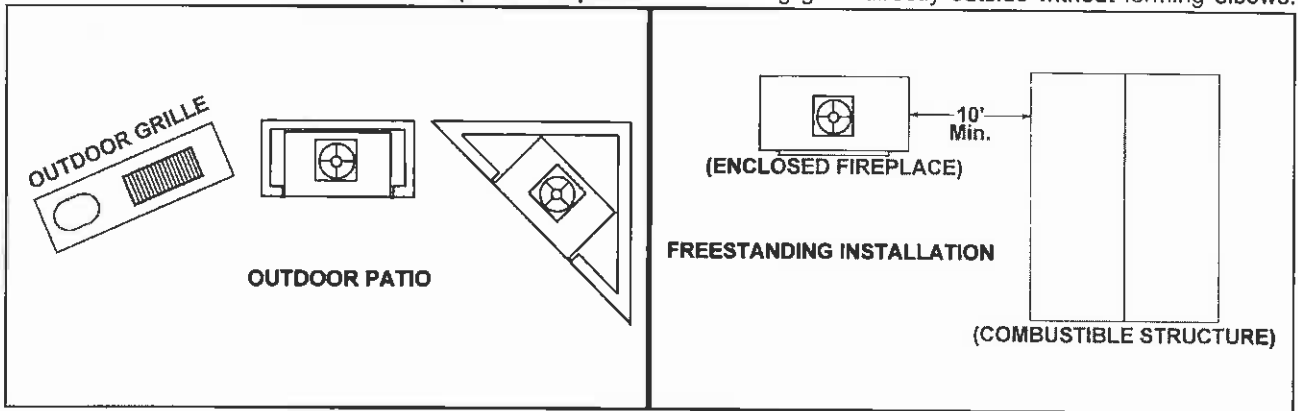


Figure 2 - Fireplace Locations

**Note:** If the fireplace is a freestanding fireplace, it must be located a minimum of 10' from a combustible structure.

A minimum height of 6' 4" measured from the base of the fireplace to the bottom of the termination cap is permitted in this installation.

### CLEARANCES!

A minimum 1½" air clearance must be maintained at the back and sides of the fireplace assembly except at the nailing flange where the clearance is ½".

Chimney sections at any level require a 2" minimum air space clearance between the framing and chimney section.

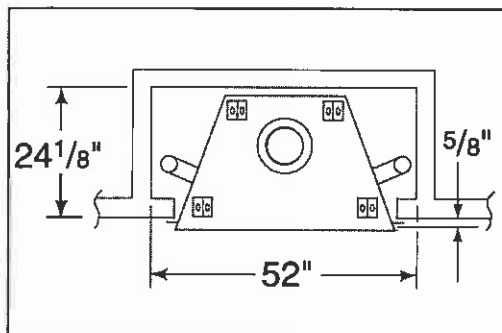


Figure 3 - Installation Along a Wall or an Exterior Chase

These are rough framing dimensions only.

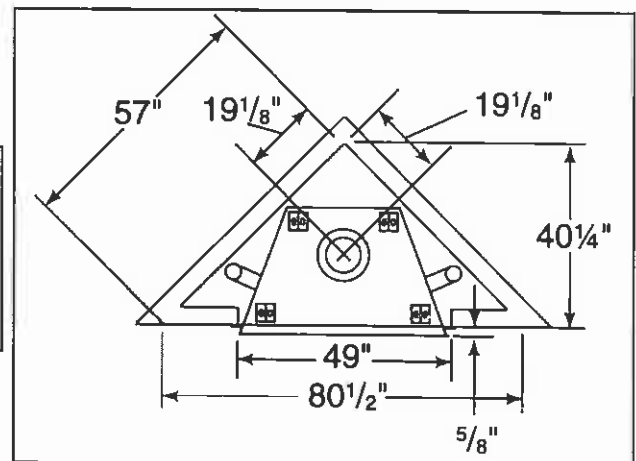


Figure 4 - Corner Installation

### WARNING!

To prevent contact with sagging or loose insulation, the fireplace must not be installed against vapor barriers or exposed insulation. Localized overheating could occur and a fire could result.