

INSTALLATION MANUAL

FOR THE ENERGY SAVING™
Heat Recirculating Fireplace by Majestic



MODELS: ESF-IIA, ESF-IIB, ESF-III



Important: Read all instructions carefully before starting installation. Failure to follow these installation instructions as detailed may result in a possible fire hazard and will void the Majestic warranty.

MAJESTIC
An American-Standard Company

Copyright American Standard Inc. 1978

IDENTIFICATION OF PARTS

INSTALLATION PRECAUTIONS

INSTALLATION INSTRUCTIONS

REFERENCE DATA

ACCESSORY PARTS

IDENTIFICATION OF PARTS

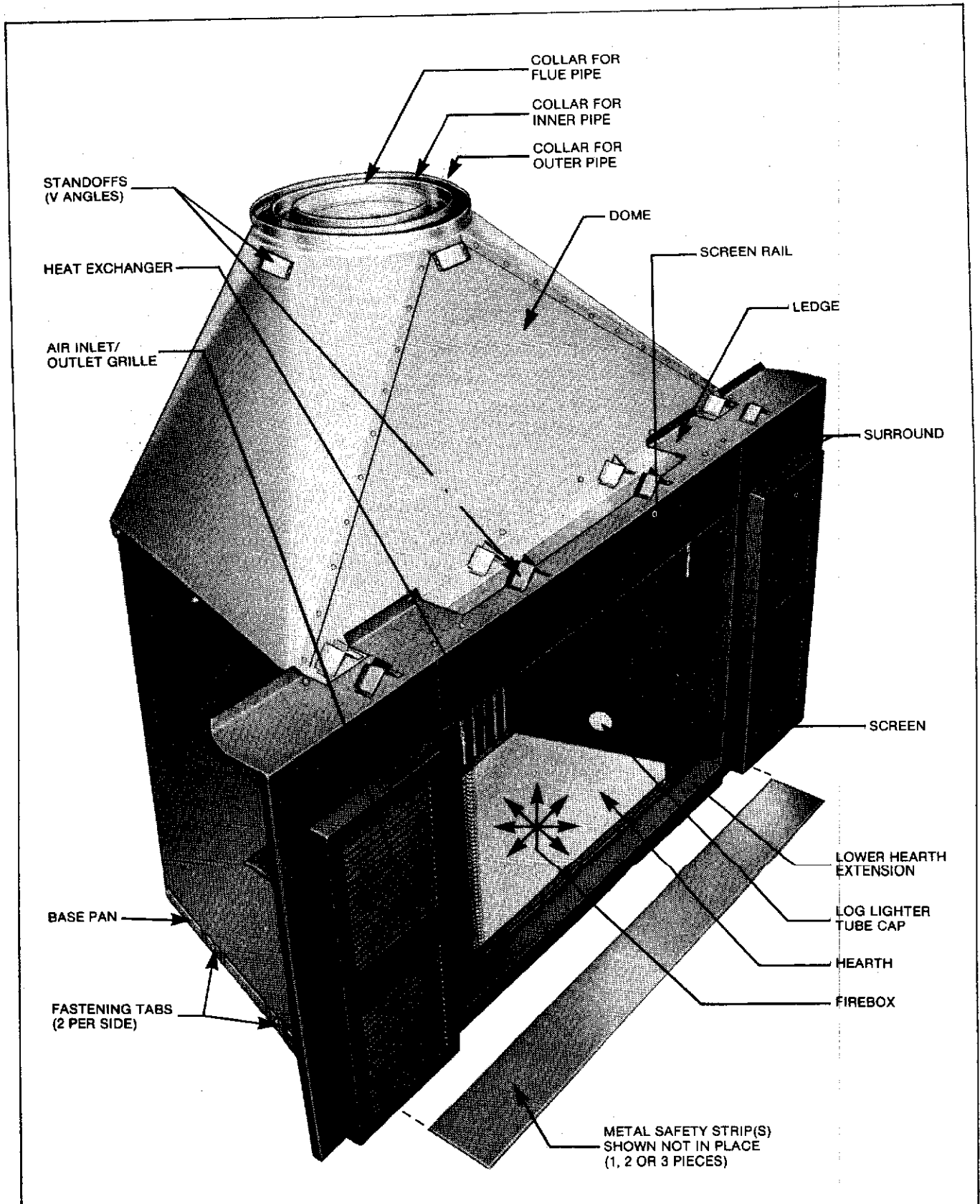


Fig. 1. Parts of the ENERGY SAVING™ fireplace by Majestic.

1 IDENTIFICATION OF PARTS

INSTALLATION PRECAUTIONS

This MAJESTIC Fireplace and its components are tested and safe when installed in accordance with this Installation Manual. It is your responsibility to read all instructions before starting installation and to follow these instructions carefully during installation to assure maximum benefit from and safe operation of the fireplace.

This fireplace and chimney assembly is a highly engineered system and, as such, must be operated only with Majestic approved components that have been designed as parts of the system. **If you use any unapproved component or make any modification, you may possibly cause a fire hazard and will void the Majestic warranty. In addition, such action may void the coverage provided by the owner's house insurance.**

Consult the local building codes and investigate the requirements for installing a factory-built fireplace. Failure to comply with these requirements can result in the installation being disapproved by the local building inspector.

This MAJESTIC Fireplace can only be installed with MAJESTIC Chimney and Chimney Top Components. It must not be connected to any other flue system or components made by any other manufacturer (except for chase flashings as detailed in MAJESTIC Chimney Top installation instructions).

This fireplace and chimney system is not approved for use in mobile homes.

The maximum chimney height from hearth to chimney exit at the roof is 90 feet. Minimum chimney heights are: 12 feet 6 inches with no elbows, 14 feet 6 inches using two elbows, and 21 feet using four elbows. The number of elbows that may be used is restricted to four. See Fig. 17 on page 16.

The chimney system must be vented out-of-doors and must be terminated in an approved MAJESTIC Top Housing or Termination. Use of any unapproved component or making any modification to MAJESTIC

components may create a fire hazard as well as void the Majestic warranty.

There must be at least 2-inches clearance between the outermost portion of an 8-inch chimney section (used with ESF-IIA and ESF-IIB Fireplaces) and 1-inch clearance for a 9-inch chimney section (used with ESF-III Fireplaces) and any adjacent combustible (burnable) surfaces. (Combustible surfaces include such things as ceiling members, joists, flooring, combustible insulation and roof structures.)

All MAJESTIC Chimney Sections utilize a triple wall construction (three concentric pipes). When installing the chimney, make sure that all three concentric pipes of the chimney sections are completely engaged with their mating members.

A firestop (See Figs. 8 and 9.) must be used at each floor or ceiling the chimney penetrates. At floor levels, the firestop is installed on the ceiling side. At the attic level, the firestop is installed on top of the rafters. A firestop is not required at the roof level.

On all chimney runs (See Fig. 14.), if the chimney exceeds 30 feet of vertical height above the hearth, chimney supports must be provided. Chimney supports must be provided at **each** 30 feet of vertical height. **Spacing** between chimney supports must not exceed 30 feet. On inclined chimney runs (See Fig. 17.), chimney supports must be provided every 6 feet of the run in addition to the elbow straps. The elbow and chimney support straps must be fastened to structural framing members.

On offset chimney installations (See Fig. 17.), the maximum allowed inclined angle is 30° from vertical. Further inclination can result in hazardous deposits of soot and ash in the flue. Chimney elbows must **not** be connected back-to-back. All elbows must be separated by at least one 2-foot straight chimney section. If four elbows are used, the first elbow must be separated from the fireplace by a minimum of a 1-foot long straight chimney section. The maximum accumulated inclined chimney run is 20 feet for the entire chimney system.

Make certain that all three concentric pipes of the chimney penetrate the roof. This is necessary to provide a proper functioning chimney termination and cooling system.

The chimney top must be at least 2 feet higher than any portion of the roof that is within 10 feet of the chimney. Refer to the *Ten Foot Rule* on page 24.

Do not place the fireplace on any carpeting, vinyl or similar soft-surfaced floor coverings. You may, however, install the fireplace on flat wood, particle board or other combustible hard-surfaced materials.

A hearth extension is required to protect combustible floor construction in front of the fireplace and it must be MAJESTIC Hearth Extension Model EH36 for the ESF-II Series Fireplace or EH42 for the ESF-III Series Fireplace or a locally available equivalent material as approved by a building official with jurisdiction.

Secure the fireplace and hearth extension to the floor to prevent shifting. Be sure to place the metal safety strip(s) provided with the fireplace beneath the front edge of the fireplace, extending 1½ inches under the fireplace base. (See Fig. 3.) Seal the crack between the fireplace and the hearth extension with a non-combustible material. An open crack in this location could be a fire hazard.

Adjacent combustible perpendicular side walls that are within 40 inches of the fireplace opening must be protected with MAJESTIC Wall Shield Model SP40 or a locally available equivalent material as approved by a building official with jurisdiction.

Do not obstruct or modify air inlet/outlet grilles in any manner.

It is good practice to protect your hands and eyes during installation by wearing gloves and safety glasses.

INSTALLATION INSTRUCTIONS

A. Installing the Fireplace

A-1. CHECK HOW ACCESSORIES ARE INSTALLED.

Some MAJESTIC fireplace accessories must be installed before the fireplace installation is complete. Therefore, at this time determine where the selected accessories fit into this fireplace installation procedure by checking the installation instructions provided with each accessory. See page 35 in this manual for a complete list of *Accessory Parts*.

NOTE: The MAJESTIC Outside Air Kit and Duct Kit cannot be installed after the fireplace is installed.

A-2. DETERMINE FIREPLACE LOCATION.

Except as noted, the ENERGY SAVING™ Fireplace (ESF) can be installed almost anywhere you wish. There are, however, a few clearance and framing restrictions that must be met. To be sure that the location you have selected for your fireplace provides for these restrictions, refer to *Clearance Data* on page 32 and *Framing Data* on page 33 at this time. **It is much wiser to locate your fireplace correctly at the start of installation than to be forced to relocate it later after much of the work is done.**

Good planning is very important for a satisfactory installation. Therefore, at this point you should have decided what components you want to include in your installation, where the fireplace is to be located and how the chimney will be routed to the roof (straight up, offset or chase*). If you have not done so, it is suggested you stop at this time. Consult your Majestic Dealer for assistance with this planning.

*A chase is a vertical box-like structure built to enclose the fireplace and/or its chimney. Typically, it is built on the outside of the house with the fireplace opening cut in the outer wall of the house. (See Fig. 30.) The outer walls of the chase are usually finished to match the outer wall covering of the house. See separate MAJESTIC Chimney Top installation instructions for minimum and maximum chase dimensions.

The MAJESTIC ESF Fireplace can be mounted on a combustible (burnable) surface. The surface must be flat, hard and have sufficient area to support uniformly the entire base of the fireplace. Do not support the fireplace at just a few points. The surface may be a raised wooden platform. The fireplace may be placed **against** a combustible wall without providing any clearance between the fireplace and the combustible material if these instructions are followed. **The fireplace should not be placed directly on carpeting, shag rugs, vinyl or similar soft-surfaced materials.** Nearby combustible floors and walls must be protected as detailed on page 30.

It is important to note that the installed length of any chimney section is less than its total length (except for the last section installed) because of the overlap at section joints (See Fig. 2.).

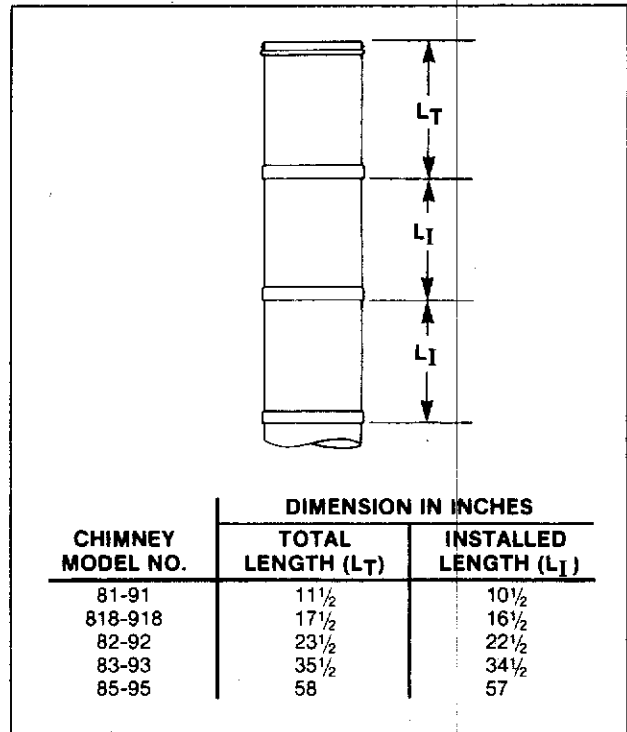


Fig. 2. Installed lengths of chimney sections.

**A-3. INSTALL METAL SAFETY STRIP(S)
UNDER FIREPLACE.**

Thoroughly clean the area where you are planning to locate the fireplace; that is, remove sawdust, wood scraps, etc. Move the fireplace to the exact location where it is to be installed. Raise the front of the fireplace slightly and slide the furnished metal safety strip(s) under the front edge a distance of 1½ inches, allowing the remainder to extend out in front of the fireplace. (See Fig. 3.) Overlap the strip(s) a minimum of ½ inch to provide a positive joint. Lower the fireplace so its entire front edge rests directly on the metal safety strip(s).

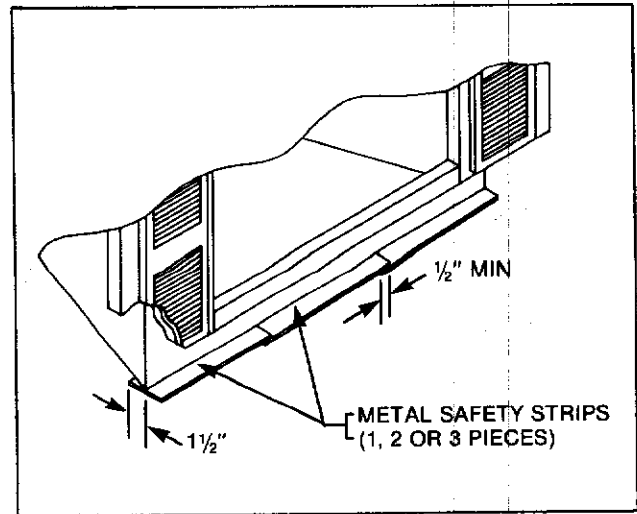


Fig. 3. Install metal strip(s) under front of fireplace.

**A-4. ANCHOR FIREPLACE IN
POSITION.**

To prevent later shifting of the fireplace and to maintain the sealing which will be installed as described in Section F of this manual (See Figs. 34 and 35.), anchor the fireplace to the floor. Turn down the four fastening tabs located along the sides of the base pan. (See Fig. 4.) Fasten each one to the floor using size 4d or larger nails or other suitable fasteners.

In most cases the fireplace is framed and finished after the chimney is installed. See *Framing and Finishing the Fireplace* on page 26.

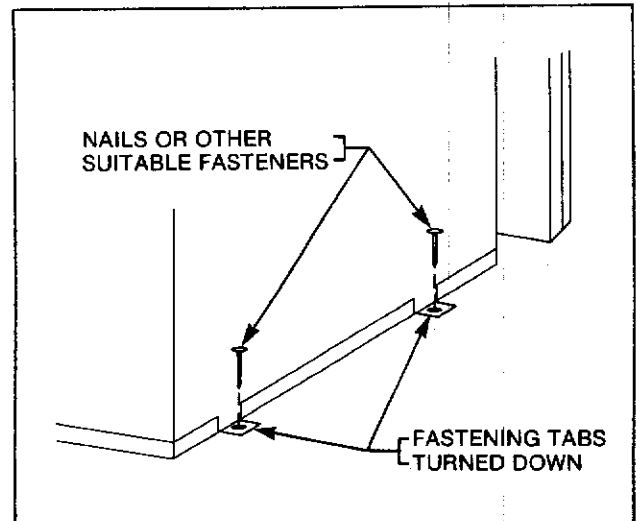


Fig. 4. Fasten fireplace in position using the four fastening tabs.

NOTE: If you are installing a straight up chimney system, go to page 6. If you are installing an offset chimney system (See Fig. 16.), go to page 13. If you are using a chase (See Fig. 30.), go to page 25.

B. Installing a Straight Up Chimney

□ B-1. LOCATE CENTERPOINT OF CHIMNEY.

If the fireplace is positioned against the wall behind it, measure out 9½ inches from this back wall and make a mark on the ceiling above the fireplace. Draw a line through this mark parallel to the back wall, defining the centerline of the chimney. (See Fig. 5.)

If the fireplace is positioned a certain distance out from the wall behind it, increase the 9½-inch dimension given above by that distance. For example, if the fireplace is positioned 3 inches out from the back wall, the centerline distance from the back wall becomes 12½ inches.

Drop a plumb line from this centerline to a height just above the fireplace collar. Move the plumb line along the centerline until the plumb bob is positioned directly over the imaginary centerpoint of the fireplace flue collar. (See Fig. 5.) Mark this point on the ceiling to establish the centerpoint of the chimney.

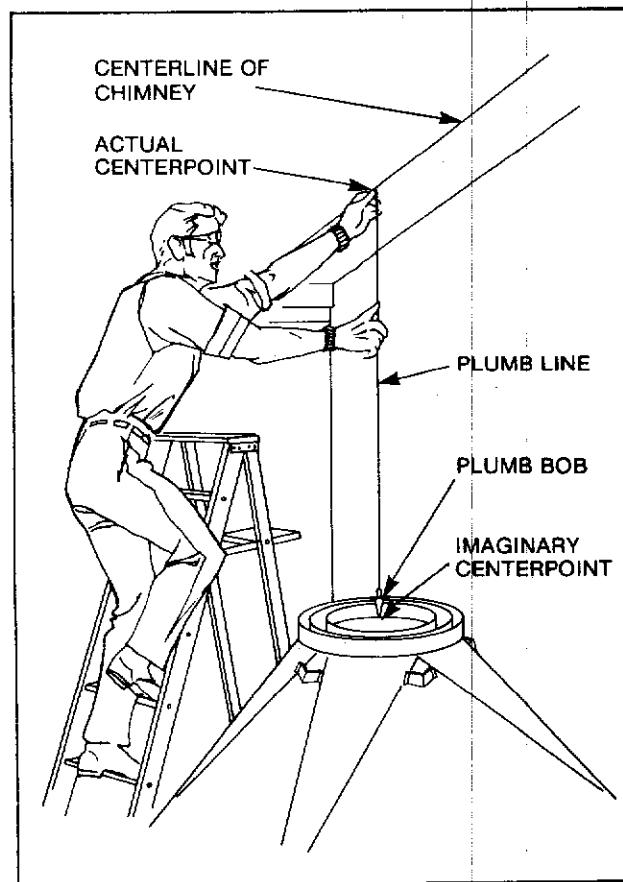


Fig. 5. Locate centerpoint of chimney with plumb line.

□ B-2. MARK AREA OF CEILING CHIMNEY HOLE.

The size of the ceiling chimney hole will vary with the size of the chimney. If the flue pipe you are using is 8 inches in diameter, you will need a $17\frac{1}{2} \times 17\frac{1}{2}$ inch ceiling hole. If the flue pipe is 9 inches in diameter, use an $18\frac{1}{8} \times 18\frac{1}{8}$ inch hole.

Using the selected ceiling hole dimension, cut a square pattern from a piece of heavy weight cardboard or plywood (the fireplace shipping carton makes a good pattern). Draw two diagonal lines from opposite corners to establish the centerpoint of the pattern. Cut a small hole in the pattern at this centerpoint.

Drive a nail up through the ceiling at the marked chimney centerpoint. Go to the floor above and check where the hole will be cut relative to the ceiling joists and any obstructions such as wiring or plumbing runs. If necessary, reposition the chimney and/or the fireplace to better accommodate these joists and/or obstructions.

Position the pattern against the ceiling with the pattern centerpoint hole over the chimney centerpoint mark on the ceiling. (See Fig. 6.) Rotate the pattern until one edge is parallel with the back wall so the hole when cut will align with the ceiling joists. If you are using a corner installation, position the pattern so it will be parallel with the ceiling joists. Trace around the edge of the pattern to mark the area of the ceiling chimney hole.

□ B-3. CUT CEILING CHIMNEY HOLE.

First, cover the opening of the fireplace collar with a piece of cardboard to prevent cutting scraps from falling into air passages of the fireplace.

Then, cut the chimney hole through the ceiling along the lines marked in Step B-2. **Recheck hole to be sure it measures the hole size selected in Step B-2.**

CAUTION: Be sure to wear safety glasses.

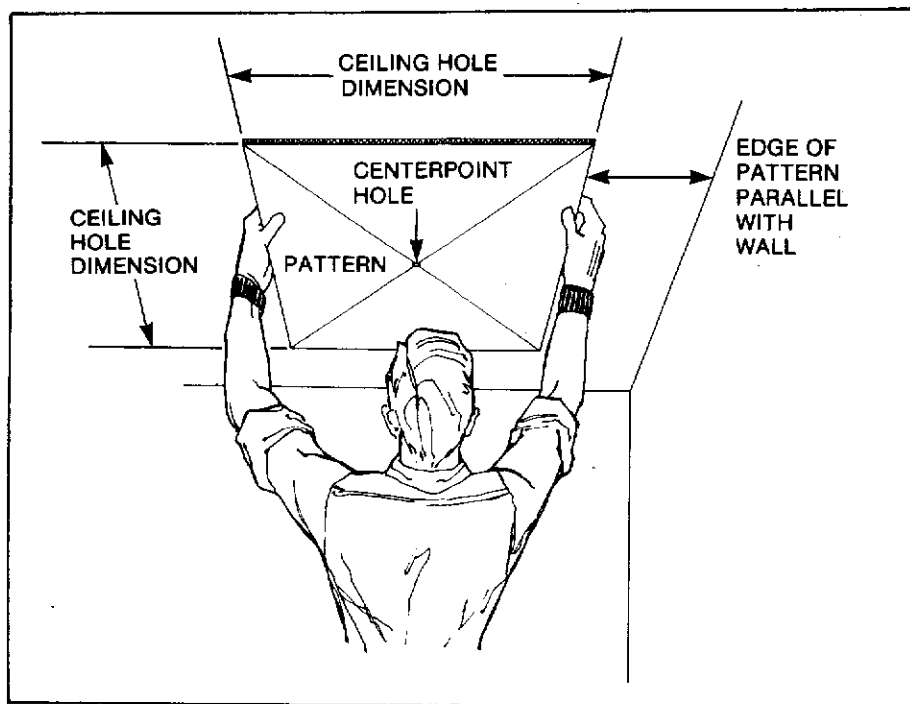


Fig. 6. Use pattern to mark area of ceiling chimney hole.

□ B-4. FRAME CEILING CHIMNEY HOLE.

Frame the ceiling chimney hole as shown in Fig. 7. It is good practice to use framing lumber that is the same size as the ceiling joists. (This is a requirement at the attic level.)

The inside dimensions of the frame must be the same as the hole size selected in Step B-2. Be sure that this frame provides the required 2-inch clearance for 8-inch flue chimneys and 1-inch clearance for 9-inch flue chimneys between the outside diameter of the chimney and the edges of the framed ceiling hole.

□ B-5. INSTALL FIRESTOP.

Firestops are required for safety. Locate a firestop (Model FS2A for 8-inch flue size or FS3A for 9-inch flue size) within the framed hole and position it as detailed below. NOTE: A firestop is not required at the roof.

If the area above the ceiling is **not** an attic, position the firestop with the flange on the ceiling side and the dished portion extending up into the hole. (See Figs. 8, 14 and 15.) If the area above the ceiling is an attic, position the firestop with the flange on the top side of the framed hole and the dished portion extending down into the hole. This is necessary to keep attic insulation from falling into the framed hole and contacting the chimney. (See Figs. 9, 14 and 15.)

Nail each corner of the firestop to the framing members of the ceiling hole.

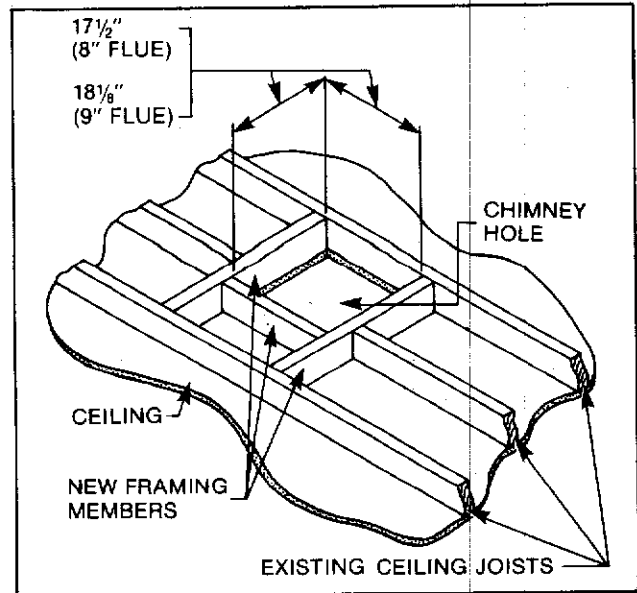


Fig. 7. Typical frame for ceiling chimney hole.

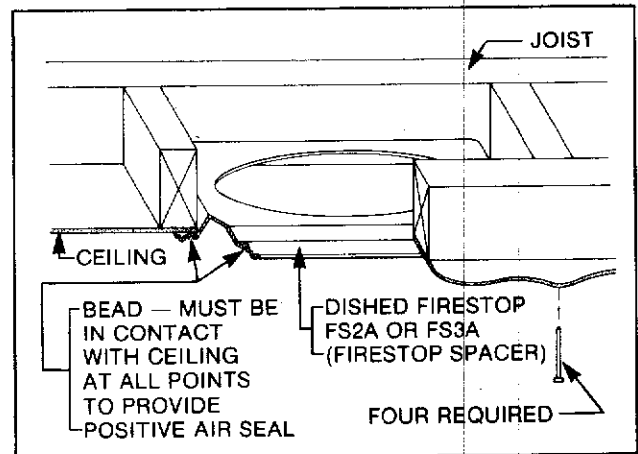


Fig. 8. Position of firestop when area above ceiling is not an attic.

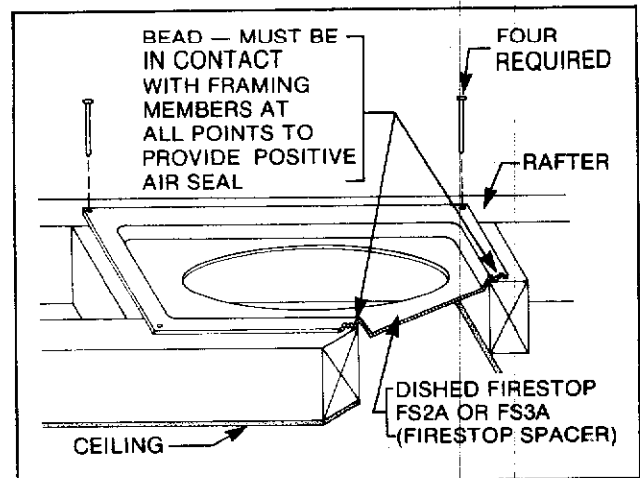


Fig. 9. Position of firestop when area above ceiling is an attic.

□ B-6. ATTACH CHIMNEY SECTIONS.

Attach the first straight chimney section to the fireplace collar. Mount the flue pipe first, using the built-in snap-lock fasteners. (See Fig. 10.) Then mount the inner pipe and finally the outer pipe. Position each pipe section so the direction arrow is pointing up. Make sure each pipe is firmly snapped and locked together as it is mounted.

Continue installing chimney sections until one section (all three pipes) extends up through the first ceiling hole. When install-

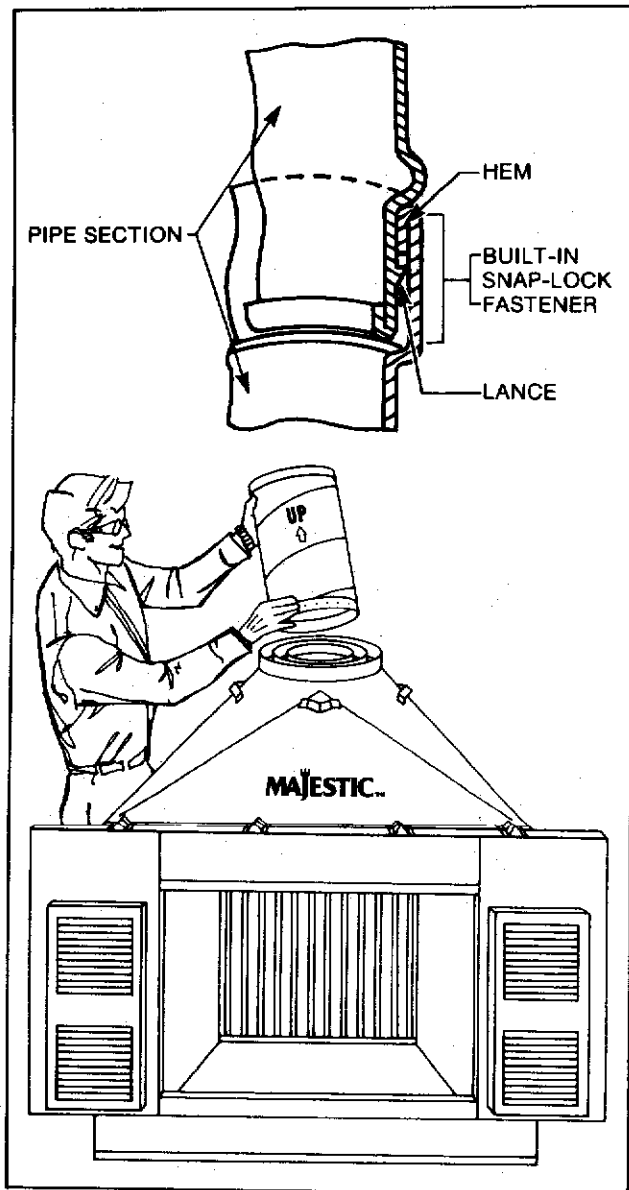


Fig. 10. Use built-in snap-lock fasteners to attach chimney pipe sections.

ing a chimney section close to the ceiling, follow this five-step procedure (See Fig. 11.):

1. Assemble the three concentric pipes.
2. Push the three-pipe assembly up through the firestop until it clears the top of the already installed chimney.
3. Hold the inner and outer pipes up and lower the flue pipe into position on the installed chimney. Snap and lock it in place.
4. Repeat Step 3 with the inner pipe.
5. Lower the outer pipe and snap and lock in place.

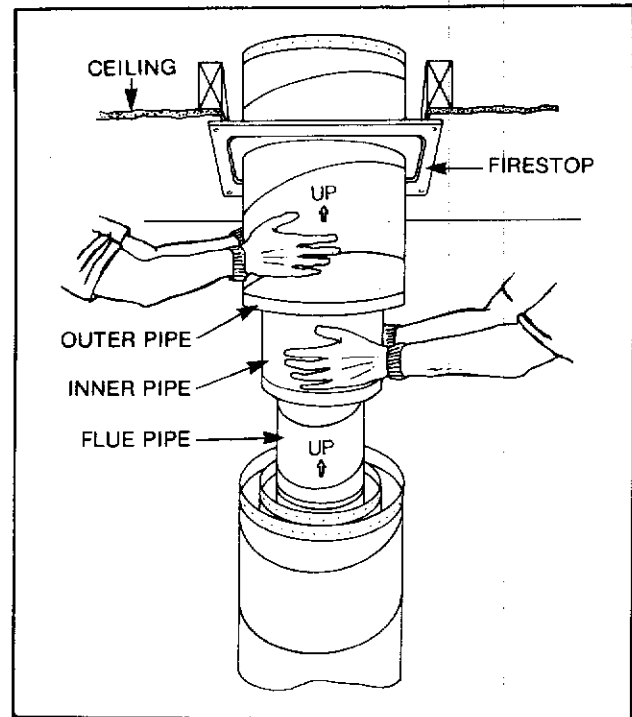


Fig. 11. Chimney section pipes can be installed as an assembly when close to the ceiling.

B-7. LOCATE CENTERPOINT OF NEXT CEILING HOLE.

NOTE: If there is no other ceiling, you have completed Section B. Turn now to *Penetrating the Roof* on page 24.

Using the ceiling hole pattern you prepared in Step B-2, place it on top of the chimney section that is sticking up through the first ceiling hole. With the cross lines facing up, center the pattern on the chimney section.

Drop a plumb line from the second ceiling and position it so the plumb bob is over the intersection of the cross lines on the pattern. (See Fig. 12.) Mark this chimney centerpoint on the ceiling. Leave the pattern on the chimney to keep cutting scraps from falling down between the pipe sections.

B-8. PREPARE SECOND CEILING HOLE.

Repeat Steps B-2, *Mark area of ceiling chimney hole*; B-3, *Cut ceiling chimney hole*; B-4, *Frame ceiling chimney hole*; and B-5, *Install firestop*.

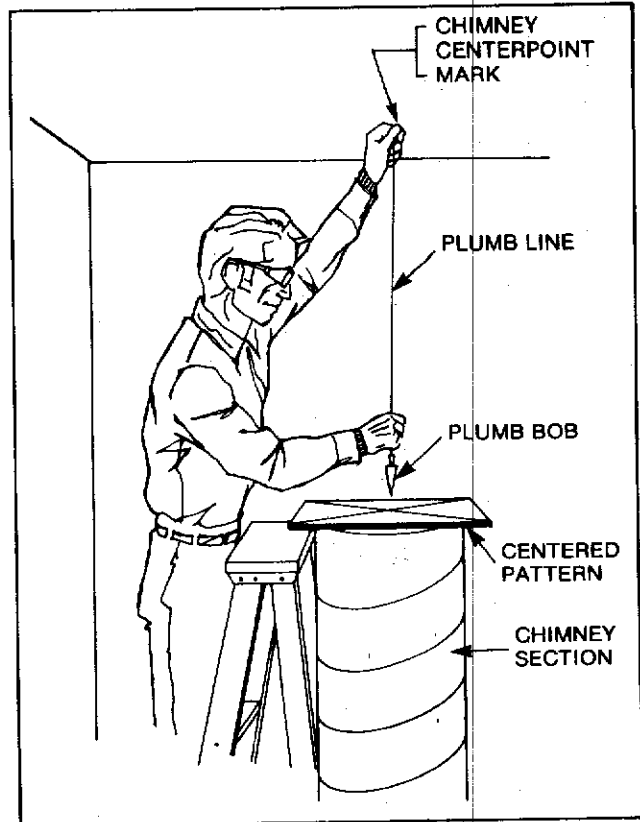


Fig. 12. Use a plumb line to locate the centerpoint of the next ceiling hole.

□ B-9. DETERMINE HOW MANY ADDITIONAL CHIMNEY SUPPORTS ARE NEEDED.

The chimney system is supported by the fireplace for chimney heights less than 30 feet of vertical height above the hearth. Additional chimney supports are required if the chimney height exceeds 30 feet of vertical height above the hearth and such supports must be provided at **each** 30 feet of vertical height. Locate chimney supports at the ceiling holes or other structural framing at the 30-foot and 60-foot dimensions. Spacing between the chimney supports must not exceed 30 feet. Use MAJESTIC Flue Support Model TCS8 (8-inch flue) or TCS9 (9-inch flue).

A flue support is a one-piece section (the three separate pipes are joined together) and, therefore, is attached to an installed chimney section as a unit, instead of as three separate pipes, as follows (See Fig. 13.):

1. Insert the corrugated edge of the support's flue pipe about 1/2 inch **into** the flue pipe of the chimney section.
2. Move the flue pipe of the chimney section so it is concentric with the inner pipe of the chimney section.
3. Insert the corrugated edge of the support's inner pipe about 1/2 inch **into** the inner pipe of the chimney section.
4. Move the inner pipe of the chimney section so it is concentric with the outer pipe of the chimney section.
5. Slide one edge of the support's outer pipe down over the outside of the outer pipe of the chimney section until the snap-lock engages and locks.
6. Slide the opposite edge of the support's outer pipe down over the outside of the outer pipe of the chimney section until its snap-lock also engages and locks.

Note that only the outer pipe snap-locks. The flue and inner pipes telescope.

Nail the flue support straps to the ceiling hole frame or other structural framing as shown in Fig. 14. Bend the straps as necessary and make sure they are tight so they will be able to support the weight of the chimney.

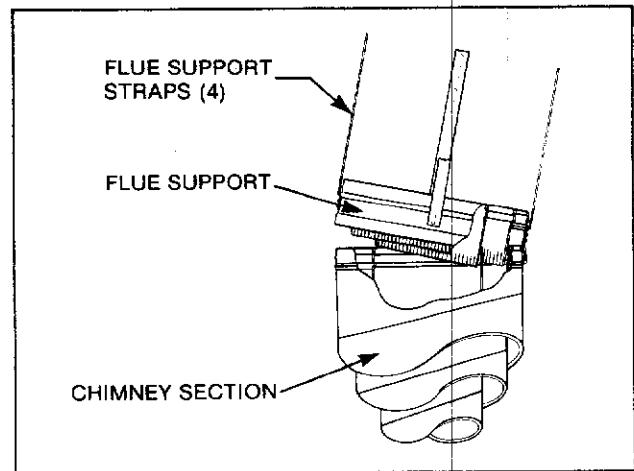


Fig. 13. Attach one-piece flue support to chimney sections.

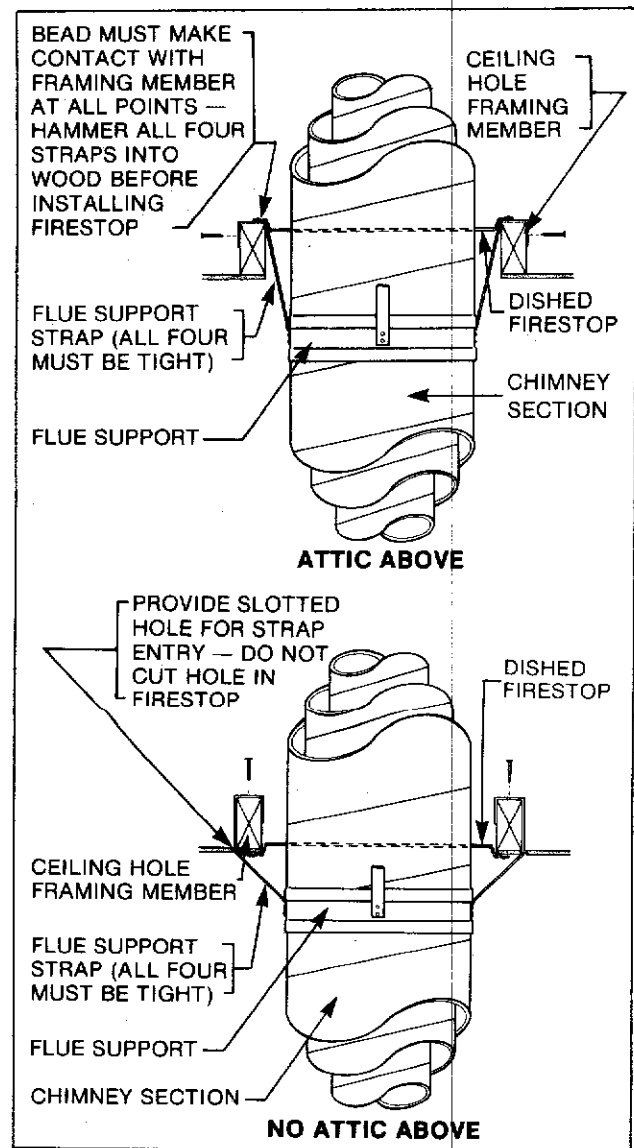


Fig. 14. Mount flue supports at ceiling hole frames or other structural framing.

□ B-10. CONTINUE INSTALLING CHIMNEY SECTIONS.

Continue installing chimney sections and flue supports (as required) until the chimney passes through the second ceiling hole.

NOTE: Repeat Steps B-7 through B-10 as many times as necessary to pass through all the ceilings in the building and bring the chimney just short of the roof.

See Fig. 15 for minimum and maximum chimney heights.

Proceed to *Penetrating the Roof* on page 24.

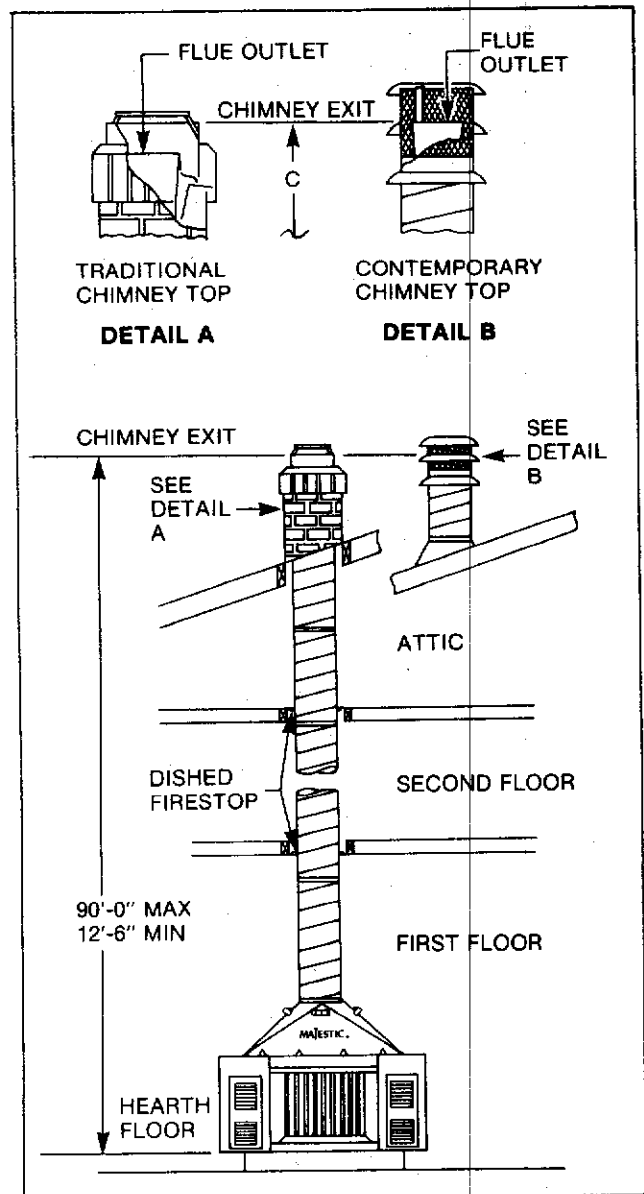


Fig. 15. The minimum height for a straight up chimney from hearth to chimney exit at top housing is 12 feet 6 inches and the maximum height is 90 feet.

C. Installing an Offset Chimney

NOTE: If you are installing a straight up chimney, go to page 6. If you are using a chase, go to page 25.

In order to clear an obstruction, it may be necessary to offset the chimney from the vertical plane. This is done by using MAJESTIC Chimney Elbows: Models 815 (15° for 8-inch flue), 915 (15° for 9-inch flue), 830 (30° for 8-inch flue) or 930 (30° for 9-inch flue).

C-1. DETERMINE DISTANCE OF OFFSET.

In most cases only one offset is required. This one offset uses two elbows, one to start the angle run and the other to end the angle run. (See Figs. 16 and 17-I.) In Fig. 16 the offset distance (T dimension) and the vertical distance from elbow to elbow (S dimension) can be found by using Table 1 for 15° elbows or Table 2 for 30° elbows. These tables also give the number and size of straight chimney sections required in the offset.

Table 1. Single offset dimensions using 15° elbows.

Using two 15° elbows with the following straight sections	Dimensions			
	"T"		"S"	
	ESF-IIA ESF-IIB	ESF-III	ESF-IIA ESF-IIB	ESF-III
One 2' section	0'-8½"	0'-8"	3'-2½"	3'-3"
One 1' and one 1½' sections	0'-9½"	0'-9"	3'-6¾"	3'-7¼"
One 3' section	0'-11½"	0'-11"	4'-2"	4'-2½"
One 2' and one 1½' sections	1'-¾"	1'-¼"	4'-6½"	4'-6¾"
Two 2' sections	1'-2¼"	1'-1¾"	5'-¼"	5'-¾"
One 3' and one 1½' sections	1'-3¾"	1'-3¼"	5'-6"	5'-6½"
One 3' and one 2' sections	1'-5¼"	1'-5"	5'-11¾"	6'-¼"
Two 2' and one 1½' sections	1'-6½"	1'-6"	6'-4¼"	6'-4½"
Two 3' sections	1'-8½"	1'-8"	6'-11½"	6'-11¾"

Table 2. Single offset dimensions using 30° elbows.

Using two 30° elbows with the following straight sections	Dimensions			
	"T"		"S"	
	ESF-IIA ESF-IIB	ESF-III	ESF-IIA ESF-IIB	ESF-III
One 2' section	1'-4¼"	1'-4½"	3'-3"	3'-4"
One 1' and one 1½' sections	1'-6½"	1'-6¾"	3'-6¾"	3'-8"
One 3' section	1'-10¼"	1'-10½"	4'-1¼"	4'-2½"
One 2' and one 1½' sections	2'-½"	2'-¾"	4'-5¼"	4'-6¼"
Two 2' sections	2'-3½"	2'-3¾"	4'-10½"	4'-11½"
One 3' and one 1½' sections	2'-6½"	2'-6¾"	5'-3½"	5'-4¾"
One 3' and one 2' sections	2'-9½"	2'-9¾"	5'-8¾"	5'-10"
Two 2' and one 1½' sections	2'-11¾"	3'-0"	6'-¾"	6'-1¾"
Two 3' sections	3'-3½"	3'-3¾"	6'-7¼"	6'-8¼"

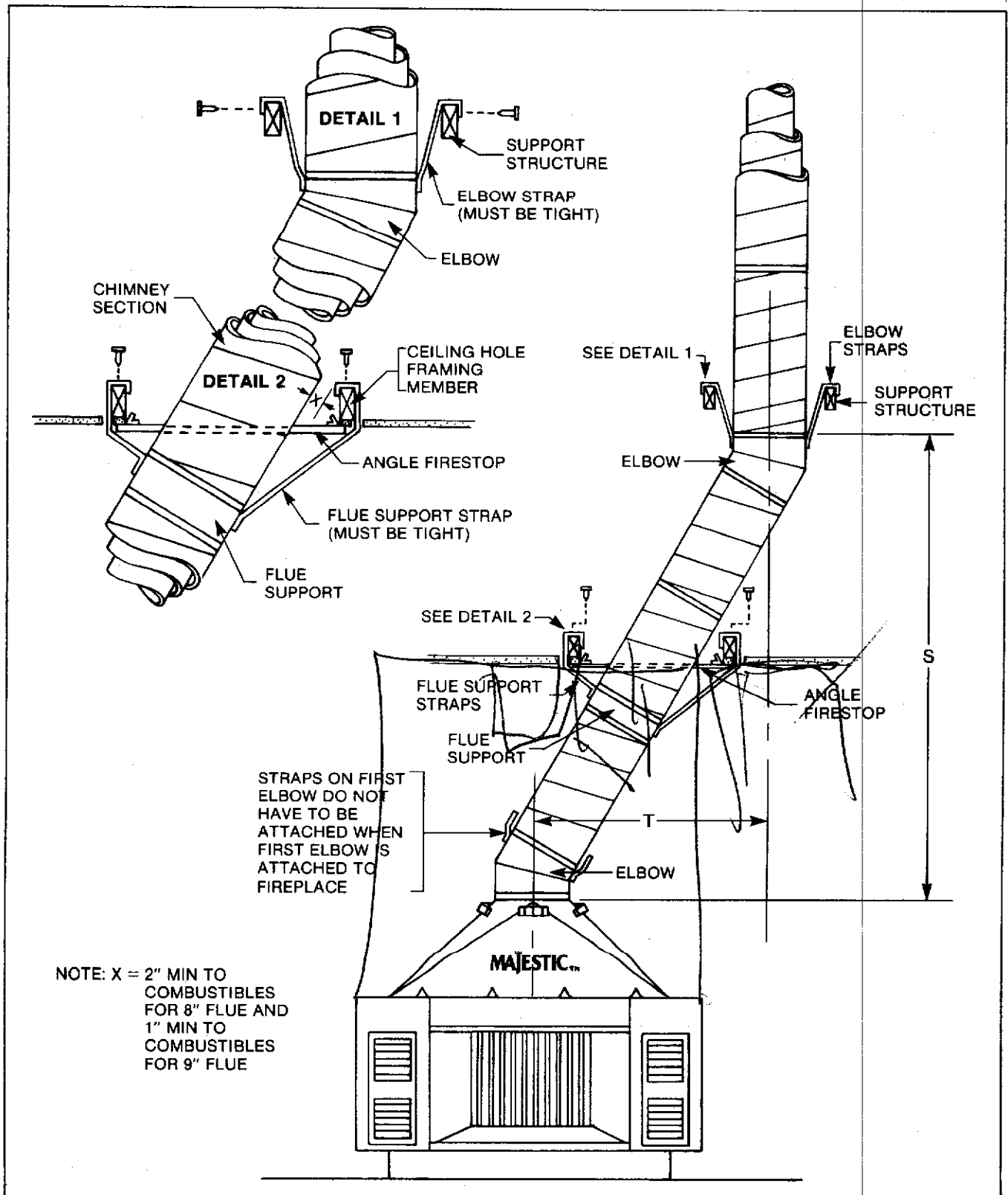


Fig. 16. Most commonly used single offset dimensions.

Figs. 17-II and 17-III show two typical double offset installations. If you use one of these or some other chimney arrangement, you can determine the offset distance by mathematical computation or by preparing a scale drawing. The total offset distance ("F" in Fig. 17) can also be figured quite easily by determining the offset dimension of each inclined run using their "T" dimensions (See Fig. 16 and Tables 1 and 2.) and then adding or subtracting these dimensions as necessary.

The following safety rules apply to all offset installations. (The letters below match with the letters in Fig. 17.)

A. Height of chimney measured from hearth to chimney exit at top:

Maximum	- 90 feet
Minimum	- 12 feet 6 inches without elbows
	- 14 feet 6 inches with two elbows
	- 21 feet with four elbows

- B. Do not use more than four elbows per chimney. Elbows must not be connected back-to-back. All elbows must be separated by a minimum of one 2-foot long straight chimney section. Attach the straps of all elbows to a structural framing member. If four elbows are used, the first elbow must be separated from the fireplace by a minimum of a 1-foot long straight chimney section. If the first elbow is installed on the fireplace, the straps for that elbow do not have to be attached.
- C. Chimney cannot be more than 30° from vertical plane.
- D. Maximum length of angled run of total chimney system is 20 feet. G plus H cannot exceed 20 feet.
- E. A chimney support (Models TCS8 or TCS9) is required every 6 feet of angled run of chimney. Chimney supports are required if the chimney height exceeds 30 feet above the hearth and for each additional 30 feet.

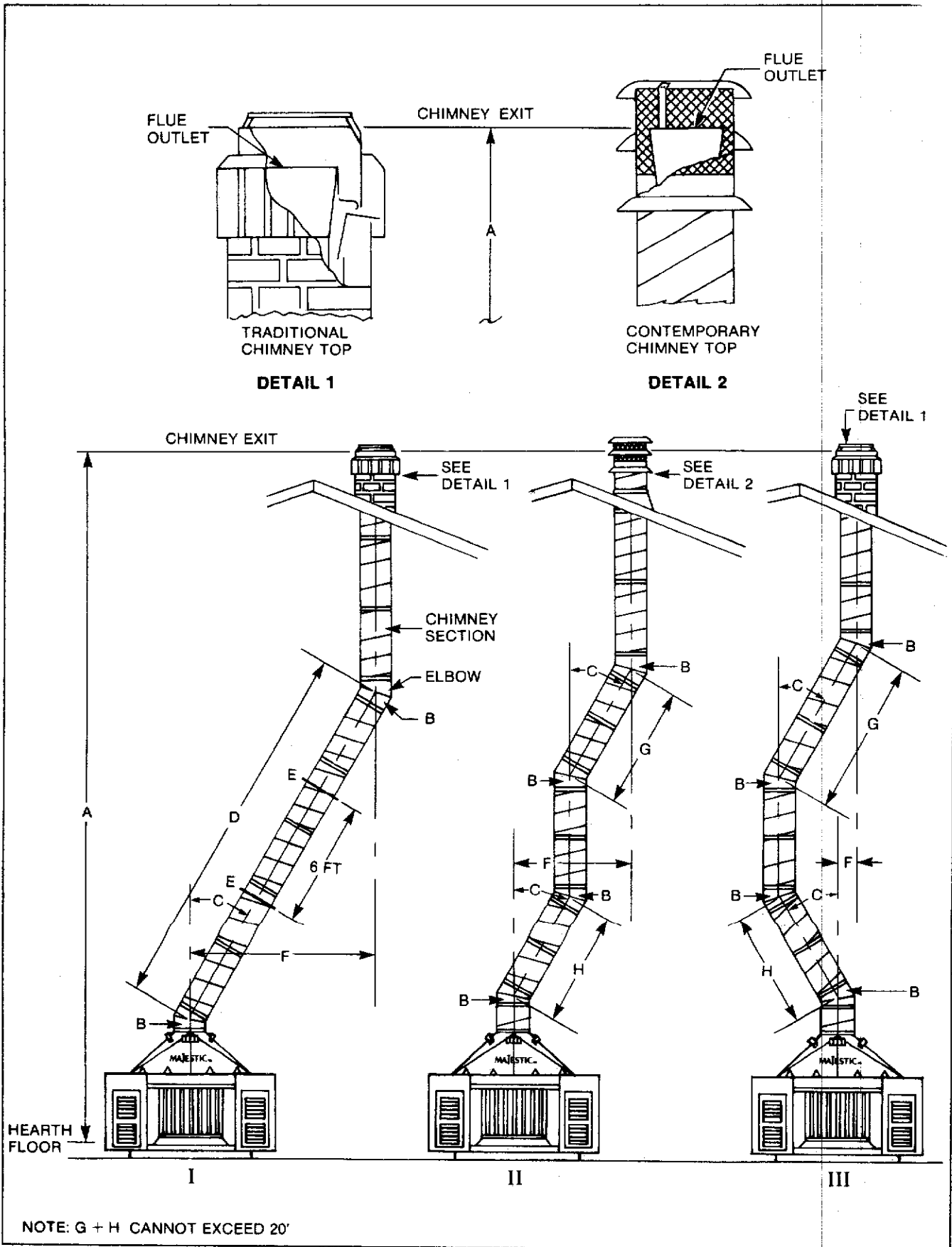


Fig. 17. Typical offset installations.

□ C-2. LOCATE CENTERPOINT OF OFFSET CHIMNEY.

Determine the offset distance of your chimney arrangement from the centerline of the fireplace to the centerline of the chimney where it is to pass through the first ceiling. Note that this offset distance may or may not be your full offset distance (T).

Locate on the ceiling the centerpoint of the chimney as though a straight up chimney arrangement is to be used by following the procedure outlined in Step B-1 on page 6. Then measure your offset dimension from the straight up chimney centerpoint. (See Fig. 18.) Mark the offset centerpoint on the ceiling.

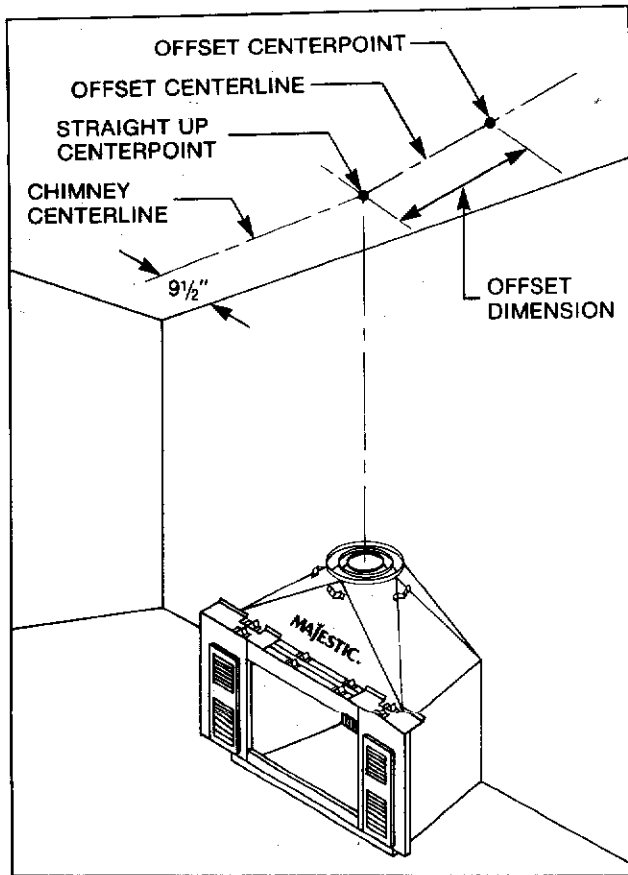


Fig. 18. Measure first ceiling offset distance from straight up centerpoint.

□ C-3. MARK AREA OF CEILING CHIMNEY HOLE.

The size of the ceiling chimney hole will vary with the size of the chimney and the angle at which it passes through the ceiling. Refer to Table 3 and select the correct ceiling hole size for your installation.

Using the selected ceiling hole dimension, cut a rectangular pattern from a piece of heavy weight cardboard or plywood (the fireplace shipping carton makes a good pattern). Draw two diagonal lines from opposite corners to establish the centerpoint of the pattern. Cut a small hole in the pattern at this centerpoint.

Drive a nail up through the ceiling at the marked offset chimney centerpoint. Go to the floor above and check where the hole will be cut relative to the ceiling joists and any obstructions such as wiring or plumbing runs. If necessary, reposition the chimney and/or the fireplace centerpoint to better accommodate these joists and/or obstructions.

Position the pattern against the ceiling with the pattern centerpoint hole over the offset chimney centerpoint mark on the ceiling. (See Fig. 19.) If the chimney is vertical at the ceiling or if the offset centerline is parallel or perpendicular to the chimney centerline, rotate the pattern until one edge is parallel with the back wall so the hole when cut will align with the ceiling joists. If you are using a corner installation, position the pattern so it will be parallel with the ceiling joists. If the offset centerline is not parallel or perpendicular to the chimney centerline, the long dimension of the chimney hole must be parallel to the offset centerline regardless of ceiling joist alignment. Trace around the edge of the pattern to mark the area of the ceiling chimney hole.

Table 3. Sizes of ceiling chimney hole.

Size of Chimney	Angle of chimney at ceiling		
	Vertical	15°	30°
8" flue	17 ¹ / ₂ x 17 ¹ / ₂	17 ⁷ / ₈ x 22 ¹ / ₂	17 ⁷ / ₈ x 29 ⁵ / ₈
9" flue	18 ¹ / ₈ x 18 ¹ / ₈	18 ³ / ₈ x 23 ¹ / ₄	18 ³ / ₈ x 30 ³ / ₈

□ C-4. CUT CEILING CHIMNEY HOLE.

First, cover the opening of the fireplace collar with a piece of cardboard to prevent cutting scraps from falling into air passages of the fireplace.

Then, cut the chimney hole through the ceiling along the lines marked in Step C-3. **Recheck hole to be sure it measures the hole size selected in Step C-3.**

CAUTION: Be sure to wear safety glasses.

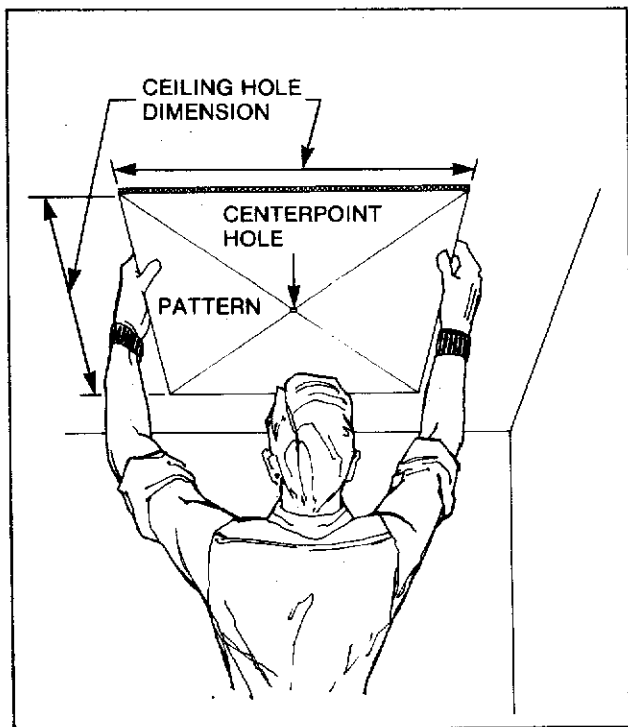


Fig. 19. Use pattern to mark area of ceiling chimney hole.

□ C-5. FRAME CEILING CHIMNEY HOLE.

Frame the ceiling chimney hole as shown in Fig. 20. It is good practice to use framing lumber that is the same size as the ceiling joists. (This is a requirement at the attic level.)

The inside dimensions of the frame must be the same as the hole size selected in Step C-3. Be sure that this frame provides the required 2-inch clearance for 8-inch flue chimneys and 1-inch clearance for 9-inch flue chimneys between the outside diameter of the chimney and the edges of the framed ceiling hole. The hole sizes listed in Table 3 for angled firestops are designed to provide the minimum required clearances to the chimney pipe for ceiling thicknesses up to 8 inches. When the combined thickness of the ceiling material, ceiling joists and flooring material exceeds 8 inches, adjustments must be made in the framing to assure that the minimum clearances to the chimney are maintained.

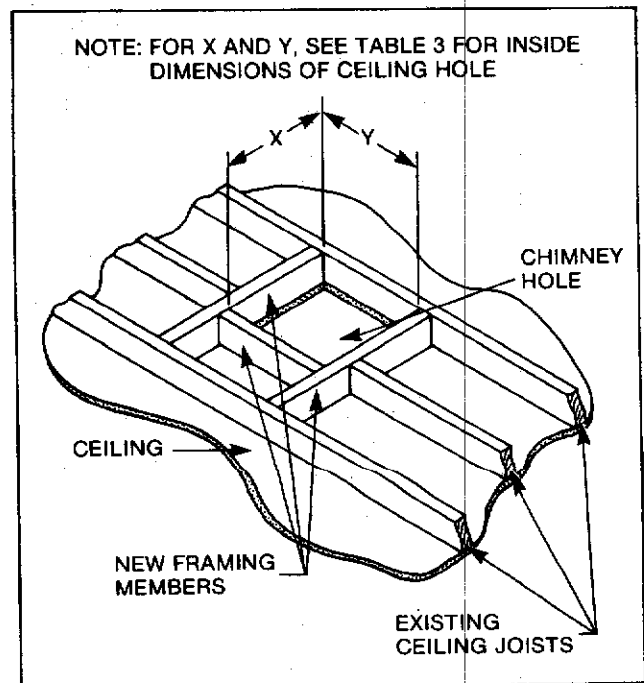


Fig. 20. Typical frame for ceiling chimney hole.

□ C-6. INSTALL FIRESTOP.

Firestops are required for safety. Locate a firestop (See Table 4.) within the framed hole and position it as detailed below.

NOTE: A firestop is not required at the roof.

If the area above the ceiling is not an attic, position the firestop with the flange on the ceiling side and the dished or angled portion extending up into the hole. (See Figs. 21 and 27.) If the area above the ceiling is an attic, position the firestop with the flange on the top side of the framed hole and the dished or angled portion extending down into the hole. This is necessary to keep attic insulation from falling into the framed hole and contacting the chimney. (See Figs. 22 and 27.)

Nail each corner of the firestop to the framing members of the ceiling hole.

Table 4. Firestop model numbers.

Type Flue	Model No.	Type of Spacer
8" straight	FS2A	Dished
8" 15° inclined	FS9A	Angled
8" 30° inclined	FS6A	Angled
9" straight	FS3A	Dished
9" 15° inclined	FS10A	Angled
9" 30° inclined	FS13A	Angled

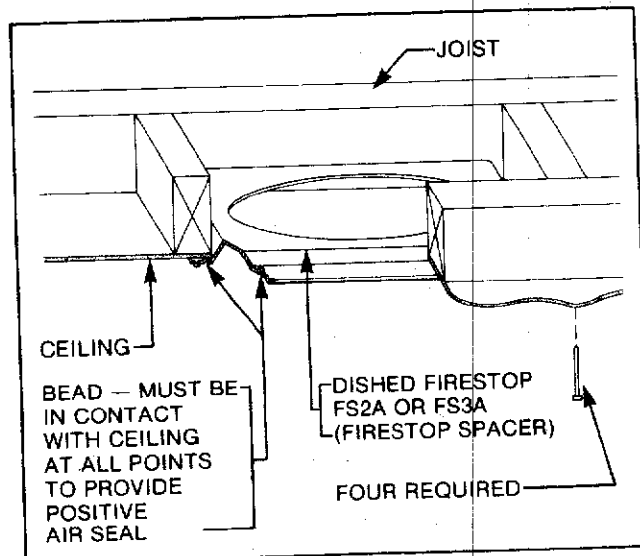


Fig. 21. Position of firestop when area above ceiling is not an attic.

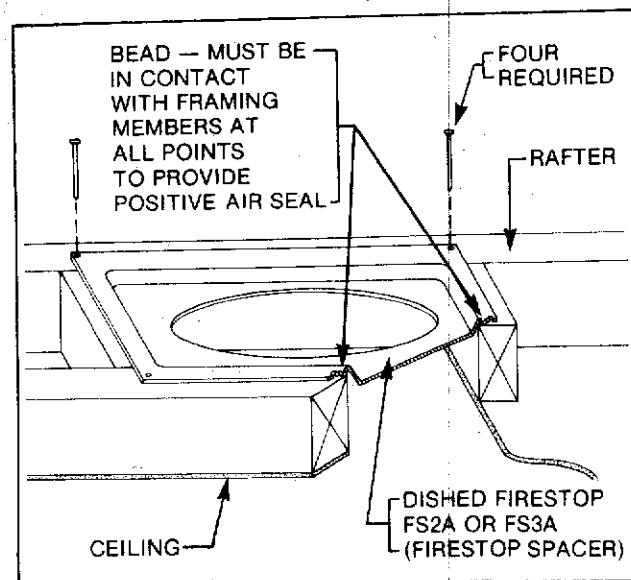


Fig. 22. Position of firestop when area above ceiling is an attic.

C-7. ATTACH FIRST ELBOW.

Attach first 15° or 30° chimney elbow where required. If the first elbow is not to be attached to the fireplace, install chimney sections as required. Refer to Step B-6 on page 9 for instructions on installing chimney sections. If four elbows are used, the first elbow must be separated from the fireplace by a minimum of a 1-foot long straight chimney section.

An elbow is a one-piece section (the three separate pipes are joined together) and, therefore, is attached to the fireplace collar or an installed chimney section as a unit, instead of as three separate pipes, as follows (See Fig. 23.):

1. Insert the corrugated edge of the elbow's flue pipe about 1/2 inch **into** the flue pipe of the chimney section.
2. Move the flue pipe of the chimney section so it is concentric with the inner pipe of the chimney section.
3. Insert the corrugated edge of the elbow's inner pipe about 1/2 inch **into** the inner pipe of the chimney section.
4. Move the inner pipe of the chimney section so it is concentric with the outer pipe of the chimney section.
5. Slide one edge of the elbow's outer pipe down over the outside of the outer pipe of the chimney section until the snap-lock engages and locks.
6. Slide the opposite edge of the elbow's outer pipe down over the outside of the outer pipe of the chimney section until its snap-lock also engages and locks.

Note that only the outer pipe snap-locks. The flue and inner pipes telescope.

Do not use more than four elbows per chimney. Never arrange two elbows to form an inclination of more than 30°. Elbows must not be connected back-to-back. All elbows must be separated by a minimum of one 2-foot long straight chimney section. Attach the straps of all elbows to a structural framing member. If four elbows are used, the first elbow must be separated from the fireplace by a minimum of a 1-foot long straight chimney section. If the first elbow is installed on the fireplace, the straps for that elbow do not have to be attached.

C-8. DETERMINE HOW MANY CHIMNEY SUPPORTS ARE NEEDED.

The chimney system is supported by the fireplace for chimney heights less than 30 feet of vertical height above the hearth. Additional chimney supports are required if the chimney height exceeds 30 feet of vertical height above the hearth and such supports must be provided at **each** 30 feet of vertical height. Locate chimney supports at the ceiling holes or other structural framing at the 30-foot and 60-foot dimensions. Spacing between the chimney supports must not exceed 30 feet. Use MAJESTIC Flue Support Model TCS8 (8-inch flue) or TCS9 (9-inch flue). Support provided by elbow straps installed in Steps C-7 and/or C-9 can be considered as fulfilling the support requirement if they are spaced as required above.

Angled chimney runs require a support every 6 feet in addition to the elbow straps. MAJESTIC Flue Supports (Model TCS8 for 8-inch flue or TCS9 for 9-inch flue) are used for this function.

Refer to Step C-1 on page 13 to determine how many flue supports are needed and where they will be placed in the chimney run.

NOTE: A flue support is 3 inches long when installed. This dimension must be considered when determining how many straight chimney sections are needed to provide the desired offset.

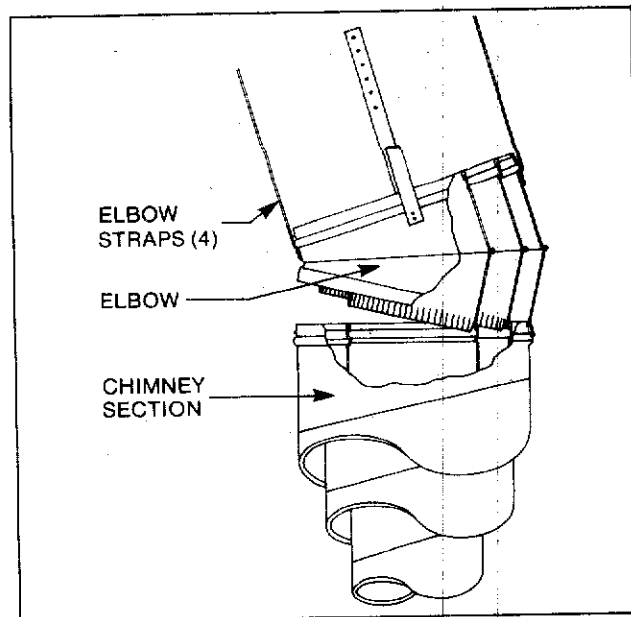


Fig. 23. Attach one-piece elbow to fireplace collar or chimney section.

□ C-9. INSTALL CHIMNEY SECTIONS.

Attach the first straight chimney section to the first elbow. Mount the flue pipe first, using the built-in snap-lock fasteners. (See Fig. 24.) Then mount the inner pipe and finally the outer pipe. Position each pipe so the direction arrow is pointing **up**. **Make sure each pipe is firmly snapped and locked together as it is mounted.**

Continue installing chimney sections, flue supports (See Step C-10.) and elbows (as required) until the correct number as determined in Steps C-1 and C-8 are

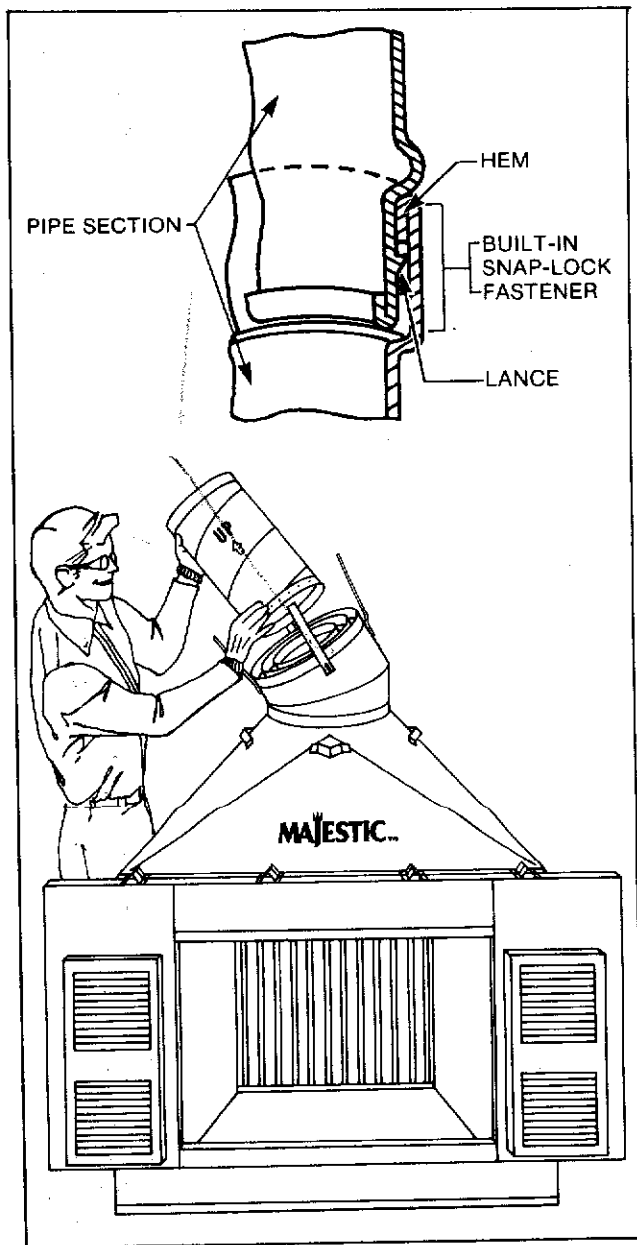


Fig. 24. Use built-in snap-lock fasteners to attach chimney pipe sections.

mounted or the desired offset distance is reached. When installing a chimney section close to the ceiling, follow this five step procedure (See Fig. 25.):

1. Assemble the three concentric pipes.
2. Push the three-pipe assembly up through the firestop until it clears the top of the already installed chimney.
3. Hold the inner and outer pipes up and lower the flue pipe into position on the installed chimney. Snap and lock it in place.
4. Repeat Step 3 with the inner pipe.
5. Lower the outer pipe and snap and lock in place.

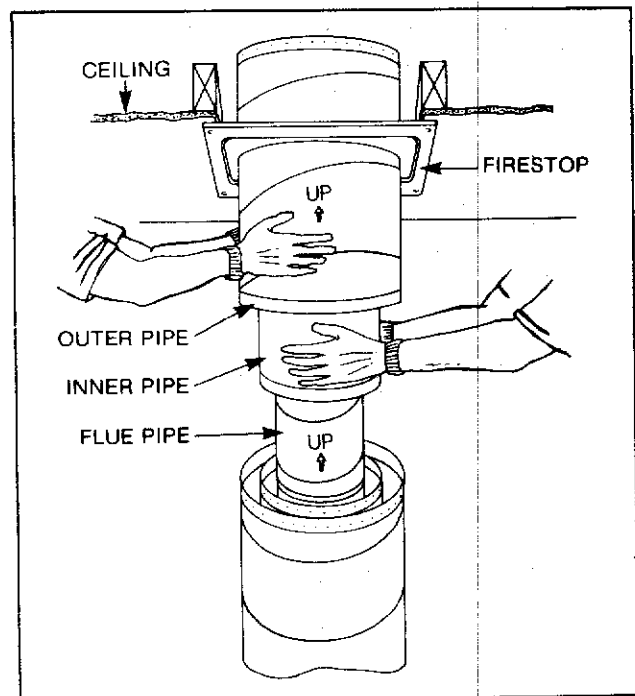


Fig. 25. Chimney section pipes can be installed as an assembly when close to the ceiling.

□ C-10. INSTALL FLUE SUPPORTS.

Flue supports are attached to chimney sections using the same technique as for elbows. Refer to Step C-7 on page 20 for detailed description of this technique. (See Fig. 26.)

Nail the flue support straps to adjacent structural framing as shown in Fig. 27. Just below where the chimney passes through a ceiling hole is a good location. Bend the straps as necessary and make sure they are tight so they will be able to support the weight of the chimney.

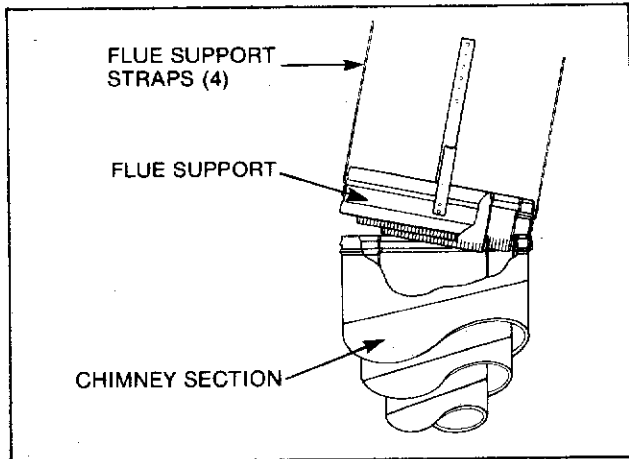


Fig. 26. Attach one-piece flue support to chimney section.

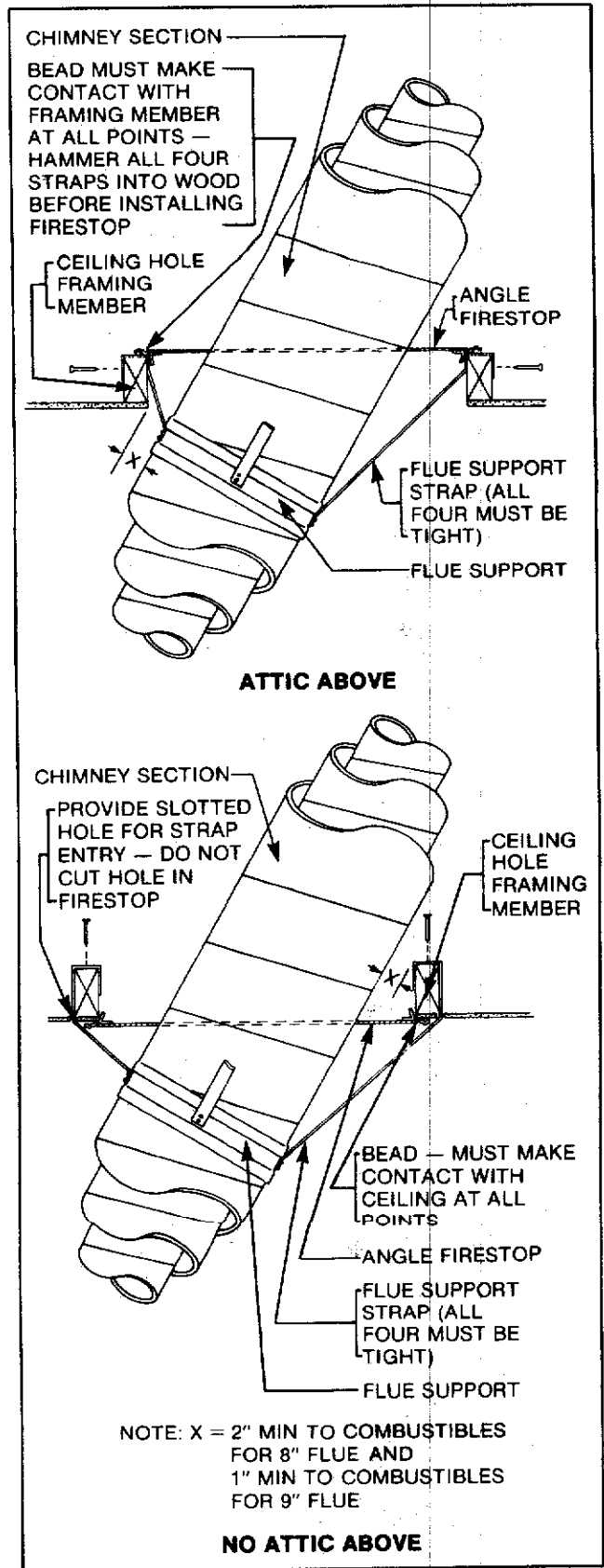


Fig. 27. Attach flue support to adjacent structural framing.

C-11. LOCATE CENTERPOINT OF NEXT CEILING HOLE.

NOTE: If there is no other ceiling, you have completed Section C. Turn now to *Penetrating the Roof* on page 24.

Using the ceiling hole pattern you prepared in Step C-3 or a new pattern prepared per Step C-3, place it on top of the chimney section that is sticking up through the first ceiling hole. With the cross lines facing up, center the pattern on the chimney section.

Drop a plumb line from the second ceiling and position it so the plumb bob is over the intersection of the cross lines on the pattern. (See Fig. 28.) Mark this chimney centerpoint on the ceiling. Leave the pattern on the chimney to keep cutting scraps from falling down between the pipe sections.

C-12. PREPARE SECOND CEILING HOLE.

Repeat Steps C-3, *Mark area of ceiling chimney hole*; C-4, *Cut ceiling chimney hole*; C-5, *Frame ceiling chimney hole*; and C-6, *Install firestop*.

C-13. CONTINUE INSTALLING CHIMNEY SECTIONS.

Continue installing chimney sections and flue supports (as required) until the chimney passes through the second ceiling hole.

NOTE: Repeat Steps C-11 through C-13 as many times as necessary to pass through all the ceilings in the building and bring the chimney just short of the roof.

Proceed to *Penetrating the Roof* on page 24.

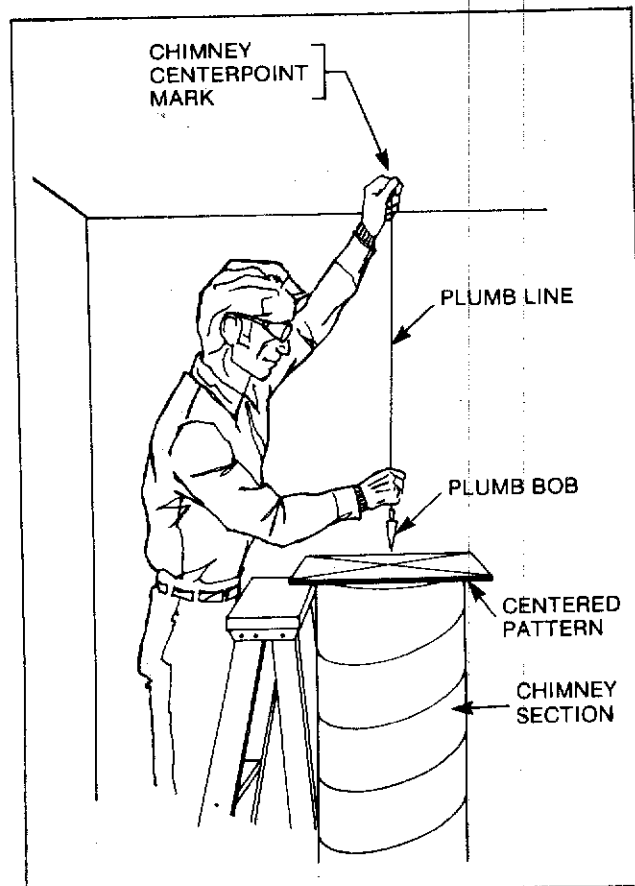


Fig. 28. Use a plumb line to locate the centerpoint of the next ceiling hole.

D. Penetrating the Roof

NOTE: If you are using a chase, go to Section E on page 25.

The chimney system must be vented out-of-doors and must be terminated in an approved MAJESTIC Top Housing or Termination.

D-1. LOCATE CHIMNEY CENTERPOINT AT ROOF.

Use the same procedure detailed in Step B-7 on page 10 or C-11 on page 23.

Drive a nail up through the roof at the marked centerpoint. This will mark the centerpoint on the outside of the roof.

D-2. CUT AND FRAME ROOF HOLE.

The size of the roof hole varies with the type of chimney top that will be installed. Refer to the installation instructions provided with your chimney top to find the correct size of the roof hole for this installation. **There must be at least 2-inches clearance between the outermost portion of an 8-inch chimney section (used with ESF-IIA and ESF-IIB Fireplaces) and 1-inch clearance for a 9-inch chimney section (used with ESF-III Fireplace) and any adjacent combustible (burnable) surfaces. (Combustible surfaces include such things as ceiling members, joists, flooring, combustible insulation and roof structures.)**

Mark the outline of the roof hole around the centerpoint nail. Note that the hole dimensions given in the chimney top installation instructions are **horizontal** dimensions; therefore, the hole size must be marked on the roof accordingly.

Cover the opening of the installed chimney with a piece of cardboard or plywood to prevent cutting scraps from falling into air passageways of the three-part chimney. (See Fig. 28.)

Cut and frame the hole. It is good practice to use framing lumber that is the same size as the rafters. **Be sure the frame is installed securely because the chimney top and flashing are anchored to this frame and they must be strong enough to withstand heavy wind loads.**

D-3. DETERMINE MINIMUM CHIMNEY HEIGHT ABOVE ROOF.

Major U.S. building codes specify minimum chimney height above the roof top. These specifications are summarized in what is known as the "Ten Foot Rule." (See Fig. 29.) The key points of this rule are:

1. If the horizontal distance from the center of the chimney to the peak of the roof is 10 feet or less, the top of the chimney must be at least 2 feet above the peak of the roof but never less than 3 feet in height above the highest point where it passes through the roof.
2. If the horizontal distance from the center of the chimney to the peak of the roof is more than 10 feet, a chimney height reference point is established that is on the surface of the roof a distance of 10 feet from the center of the chimney in a horizontal plane. (See Fig. 29.) The top of the chimney must be at least 2 feet above this reference point, but never less than 3 feet in height above the highest point where it passes through the roof.

These chimney heights are necessary in the interest of safety and do not assure smoke-free operation.

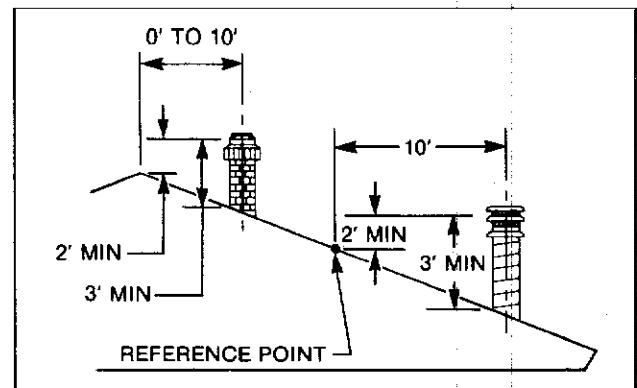


Fig. 29. Ten foot rule for chimney height.

D-4. INSTALL REMAINDER OF CHIMNEY SECTIONS.

Continue installing chimney sections up through the roof hole. Make certain that all three concentric pipes of the chimney penetrate through the roof. This is necessary to provide for proper chimney termination and functioning of the chimney cooling system. Check your chimney top installation instructions for data on how high above the roof top the **chimney sections** (all three pipes) should go.

D-5. INSTALL CHIMNEY TOP.

Follow the installation instructions provided with the chimney top you have selected. This MAJESTIC Fireplace can only be installed using MAJESTIC Chimney and Chimney Top Components. It must not be connected to any other flue system or components made by any other manufacturer (except for chase flashings as detailed in MAJESTIC Chimney Top installation instructions).

Proceed to *Framing and Finishing the Fireplace* on page 26.

E. Installing Chimney In A Chase

NOTE: If you are not using a chase and are installing a straight up chimney, go to page 6. If you are not using a chase and are installing an offset chimney, go to page 13.

A chase is a vertical box-like structure built to enclose the fireplace and/or its chimney. *Typically*, it is built on the outside of the house with the fireplace opening cut in the outer wall of the house. (See Fig. 30.) The outer walls of the chase are usually finished to match the outer wall covering of the house. See separate MAJESTIC Chimney Top installation instructions for minimum and maximum chase dimensions.

CAUTION: Treatment of firestops and construction of the chase may vary with the type of building. These instructions are not substitutions for the requirements of local building codes. Therefore, your local building codes must be checked to determine the requirements for these steps. Note that other materials may be required in addition to MAJESTIC Firestops.

Refer to *Framing and Finishing the Fireplace* on page 26. Upon completion of building your chase frame, install the chimney system. Follow the instructions for *Installing a Straight Up Chimney* starting on page 6 or *Installing an Offset Chimney* starting on page 13 for chimney installation instructions. Then proceed to Step E-1 on page 26.

□ E-1. INSTALL FLASHING AND CHIMNEY TOP.

You have just completed installing the chimney sections in your chase. Now follow the installation instructions provided with the chimney top you have selected.

Proceed to *Framing and Finishing the Fireplace*, Step F-1.

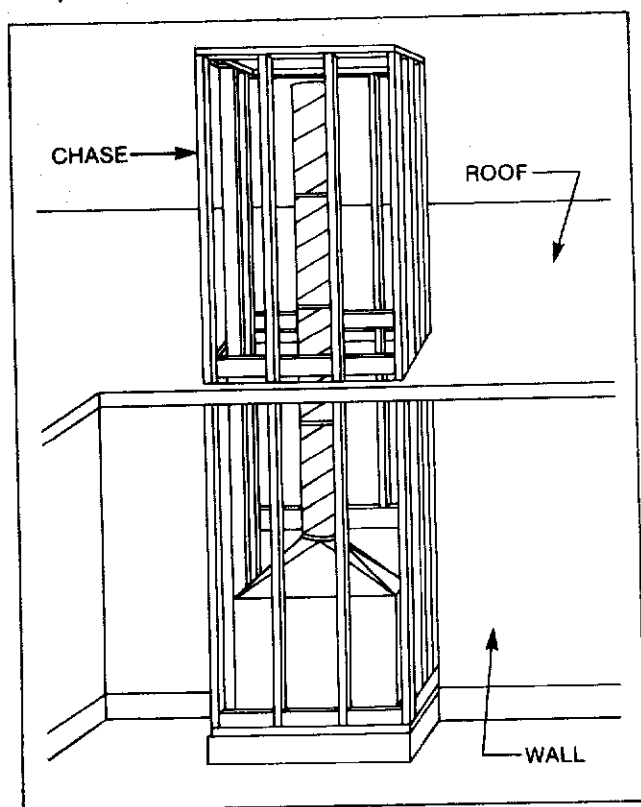


Fig. 30. Typical fireplace chase.

F. Framing and Finishing the Fireplace

□ F-1. DETERMINE WHEN TO INSTALL FRAMING.

Fireplace framing can be built before or after the fireplace is set in place.

Fig. 31 shows dimensions for both rough and finished framing. If the fireplace is set in place before the framing is built, use the finished framing dimensions. If the framing is built before the fireplace is positioned, use the rough framing dimensions first and then complete the framing to the finished dimensions after the fireplace is positioned.

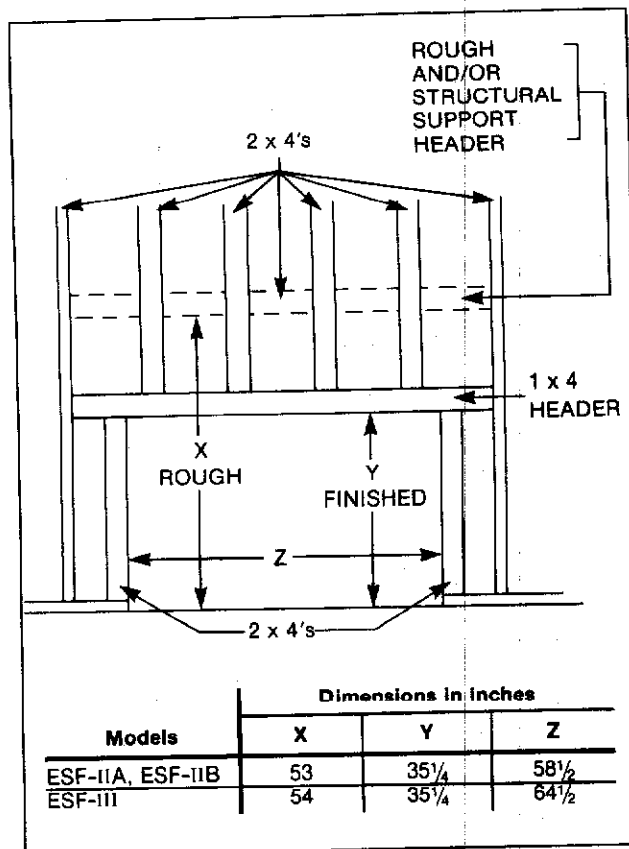


Fig. 31. Dimensions of fireplace opening.

□ F-2. BUILD FRAMING.

The fireplace framing (except finished header) should be constructed of 2 x 4 lumber or heavier. The finished header across the fireplace opening must be a 1 x 4 if the wall is nonsupporting. If the wall provides structural support, use an appropriately sized header **above** the 1 x 4 header. Studs above the fireplace may be placed flat, if desired, to conserve space. Refer to *Framing Data* on page 33 for basic fireplace dimensions that will affect the framing dimensions.

The header may rest on the fireplace standoffs (V-angles on front ledge of fireplace), but must **not** be notched to fit around the standoffs.

Framing should be positioned to accommodate wall covering and fireplace facing material. See Figs. 32 and 33 for typical arrangements.

CAUTION: All joints between the finished wall and the fireplace surround (top and sides) must be sealed with non-combustible material. Only non-combustible materials may be applied as facing to the fireplace surround.

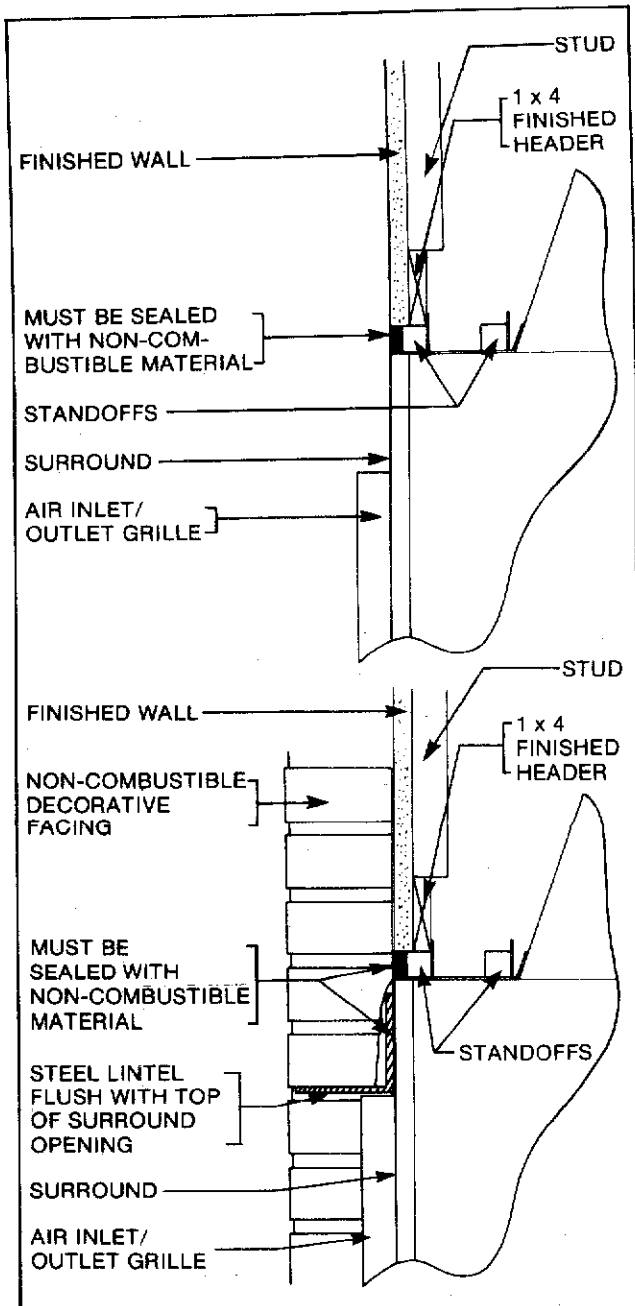


Fig. 32. Fireplace surround flush with finished wall.

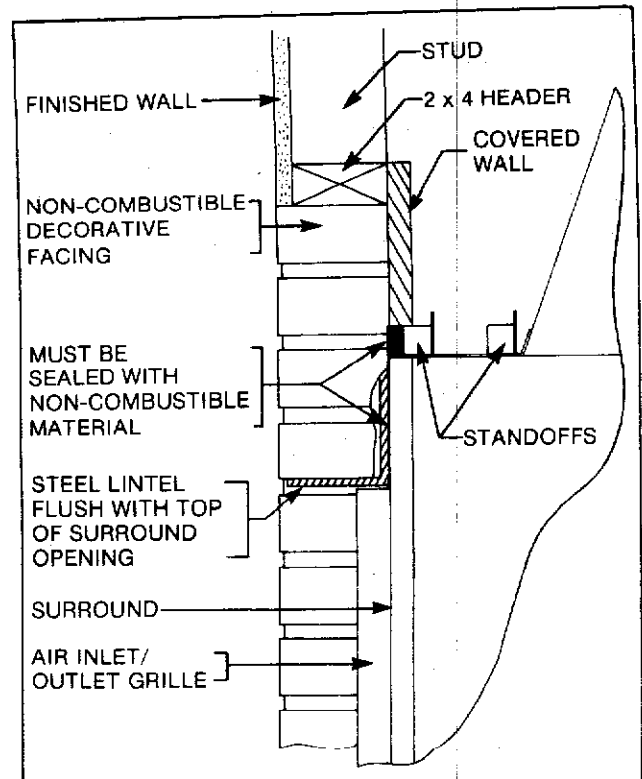


Fig. 33. Facing on fireplace surround flush with finished wall.

□ F-3. FINISH WALL.

Finish the wall with material of your choice. **If you decide to cover the fireplace surround, non-combustible materials must be used in this area.**

Do not install a combustible mantel or other combustible projection less than 12 inches above the fireplace opening. If a combustible material is used, consult the local building codes for the minimum clearance from the top of the fireplace opening to the bottom of the mantel.

If you plan to install a MAJESTIC Glass Enclosure at the fireplace opening, now or in the future, make sure that the surround covering does not extend into the area between the two air inlet/outlet grilles, that the top covering does not extend below the top of the screen rail, and that the bottom

covering does not extend above the bottom of the lower hearth extension. (See Figs. 34 and 35.) Installation of a glass enclosure requires a full opening. See separate MAJESTIC Glass Enclosure installation instructions.

All joints (top, bottom and sides) where the wall or decorative facing material meets the fireplace surround must be completely sealed using a non-combustible material. (See Figs. 34 and 35.)

When finishing the fireplace, never obstruct or modify the air inlet/outlet grilles in any manner. Do not install decorative facing in a manner which would prevent grille removal. The grilles must remain fastened to the fireplace surround as they are shipped from Majestic except when they need to be removed for maintenance or installation of accessories.

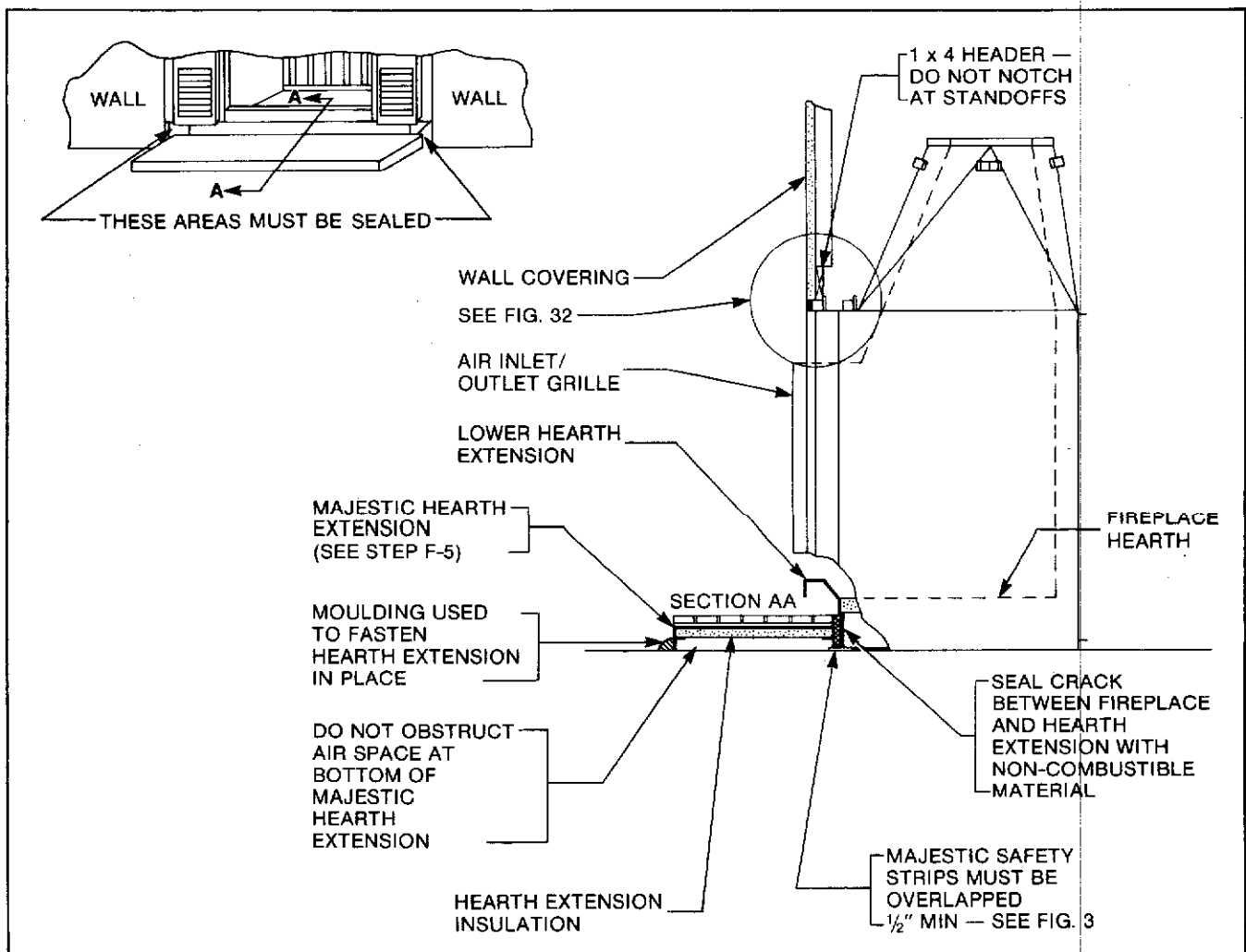


Fig. 34. Sealing detail when hearth extension is on the floor.

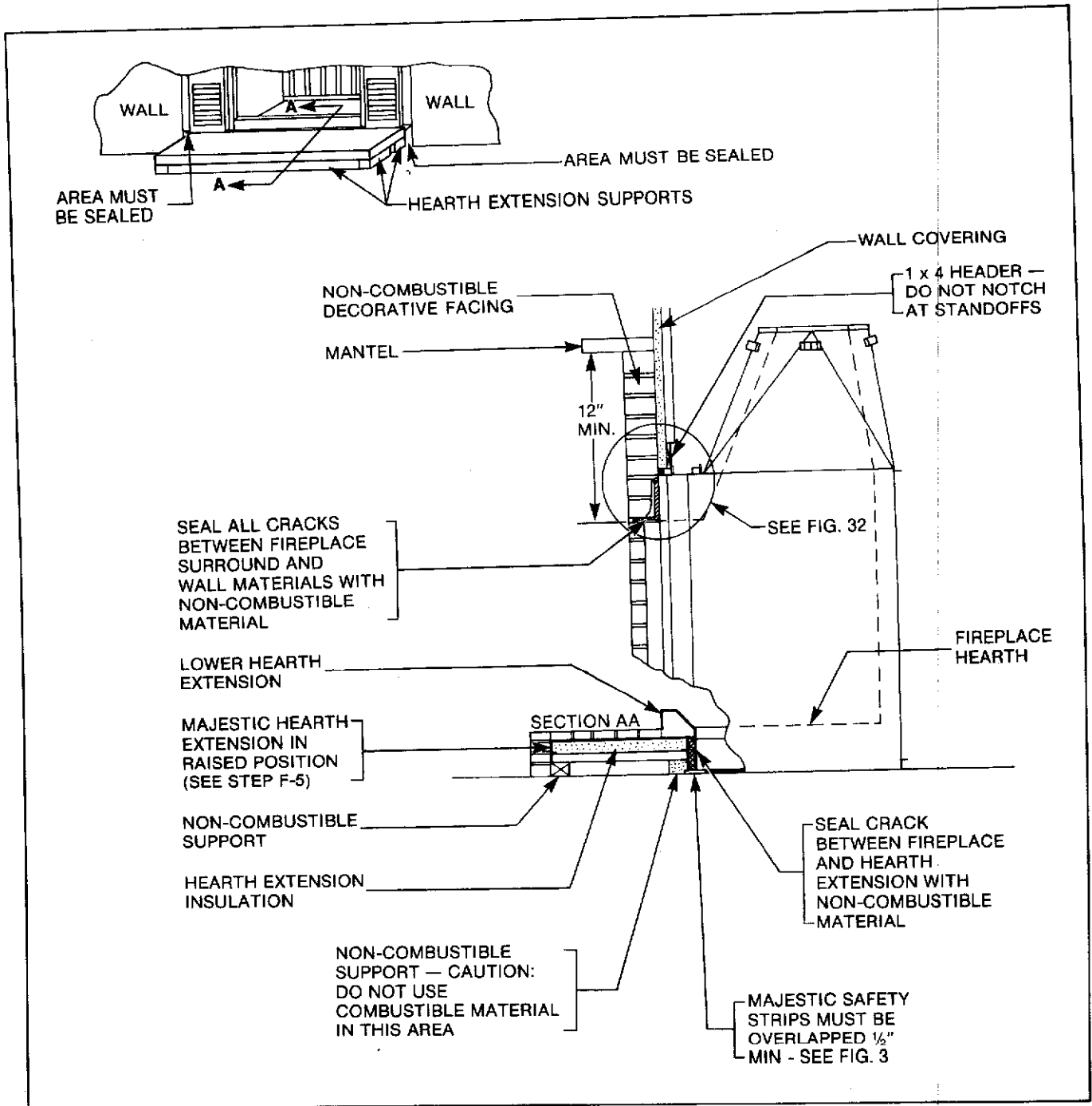


Fig. 35. Sealing detail when hearth extension is raised.

F-4. ADD PROTECTION TO SIDE WALLS.

Adjacent combustible perpendicular side walls that are within 40 inches of the fireplace opening must be protected with MAJESTIC Wall Shield Model SP40 or locally available equivalent material as approved by a building official with jurisdiction. (See Fig. 36.)

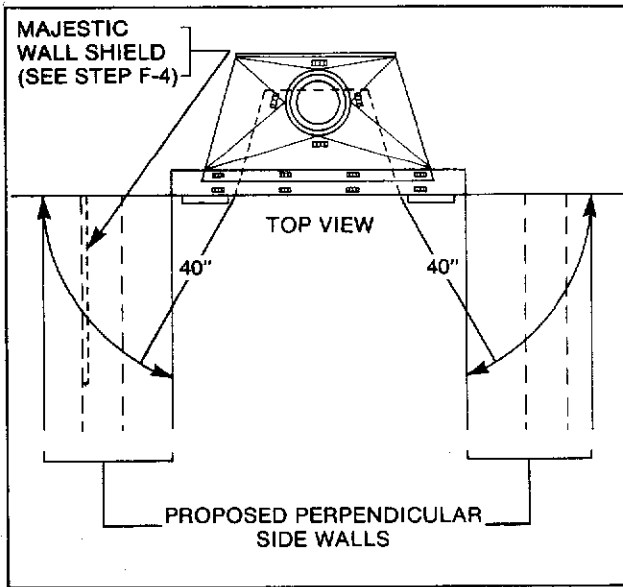


Fig. 36. Protect adjacent combustible side walls with MAJESTIC Wall Shields.

F-5. INSTALL HEARTH EXTENSION.

A hearth extension is required to protect combustible floor construction in front of the fireplace and it must be MAJESTIC Hearth Extension Model EH36 for the ESF-II Series Fireplace or EH42 for the ESF-III Series Fireplace or locally available equivalent material as approved by building official with jurisdiction. (See Fig. 37.) Secure the hearth extension to the floor to prevent shifting using trim moulding or other similar means at the three outer edges. Seal the crack between the fireplace hearth and the hearth extension with a non-combustible material. See Figs. 34 and 35.

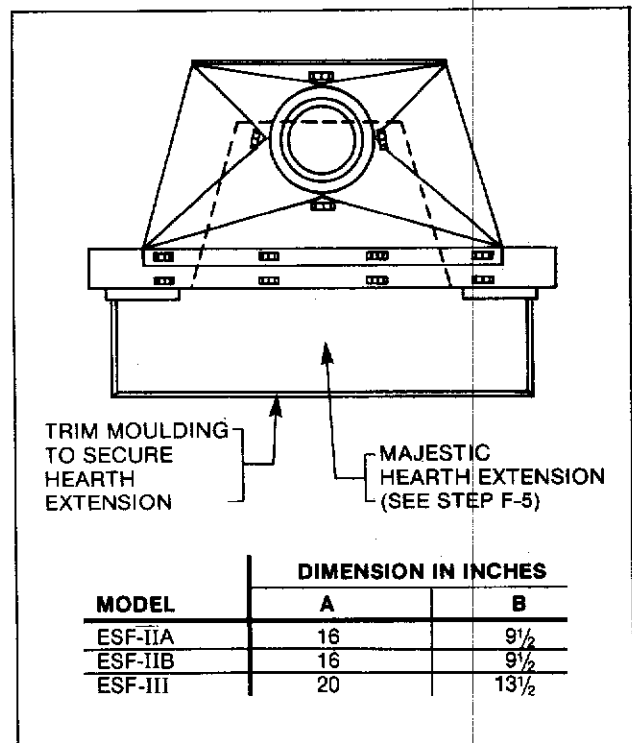


Fig. 37. Minimum dimensions of the hearth extension.

□ F-6. INSTALL GAS LOG LIGHTER.

MAJESTIC Fireplace Models ESF-IIB and ESF-III are designed to accept a 1/2-inch gas line for a gas log lighter. Model ESF-IIA will not accept a gas line.

Find the gas line hole (log lighter tube) on the outside of the fireplace at the right side. Then follow this step-by-step procedure (See Fig. 38.):

1. Remove log lighter tube cap (A) located in the firebox.
2. Remove the insulation (B) from the log lighter tube, working from the outside of the fireplace.
3. Forceably push out the internal metal shield (C) using a probe or piece of iron pipe.
4. Insert a 1/2-inch iron pipe gas line (D), from outside the fireplace, through the log lighter tube.
5. Repack insulation around gas line from outside fireplace.

CAUTION: Make sure the insulation completely seals the space around the gas line.

Have the gas log lighter installed by a qualified plumber in accordance with all local building codes.

This fireplace and chimney assembly is a highly engineered system and, as such, can be operated only with Majestic approved components that have been designed as parts of the system. If you use any unapproved component or make any modification, you may possibly cause a fire hazard and will void the Majestic warranty. In addition, such action may void the coverage provided by the owner's house insurance.

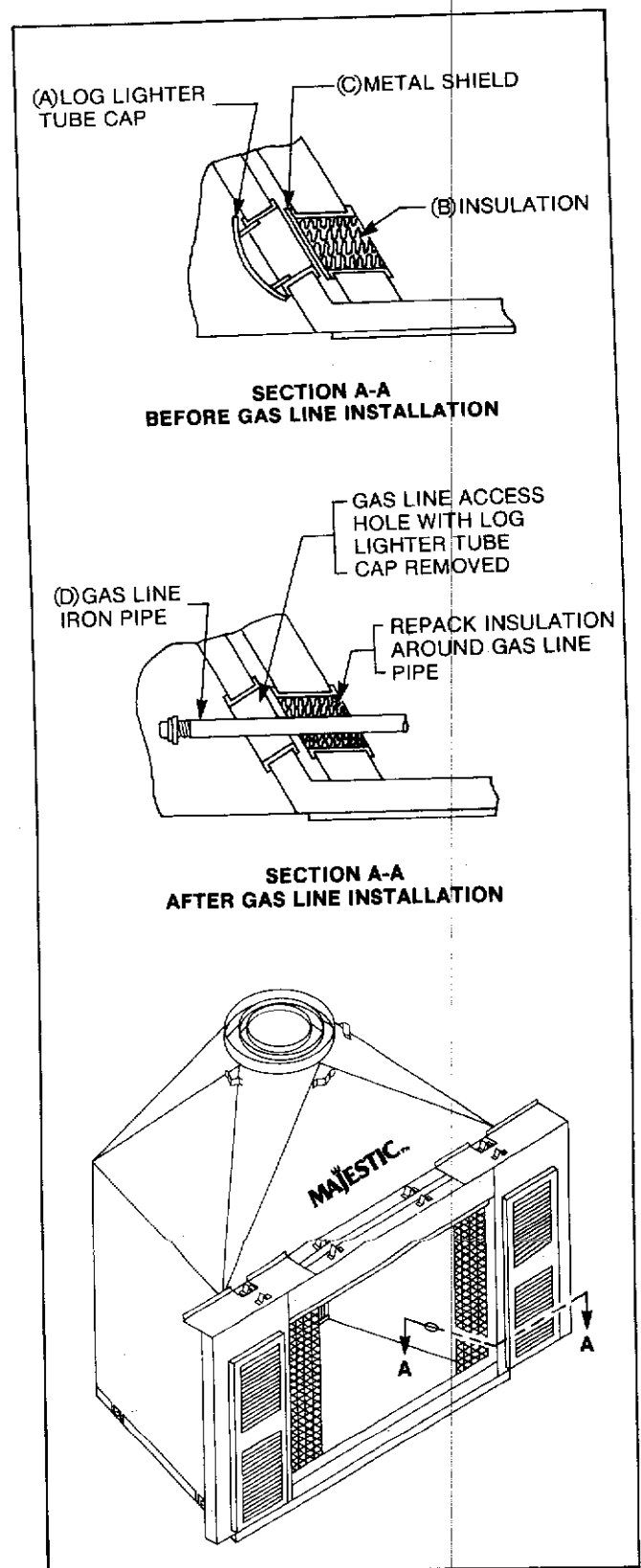


Fig. 38. Opening for gas log lighter pipe is located near the right front of the firebox.

REFERENCE DATA

Clearance Data

Any MAJESTIC ESF Series Fireplace can be located directly on a flat hard-surfaced combustible floor, against a combustible wall or on a wooden platform without clearance from the combustible construction. Some protection, however, is required

for these surfaces as detailed on page 30. Framing members can be placed directly against the side and back of the fireplace. The minimum clearance-to-combustibles requirements for chimney sections and dome are detailed in Fig. 39.

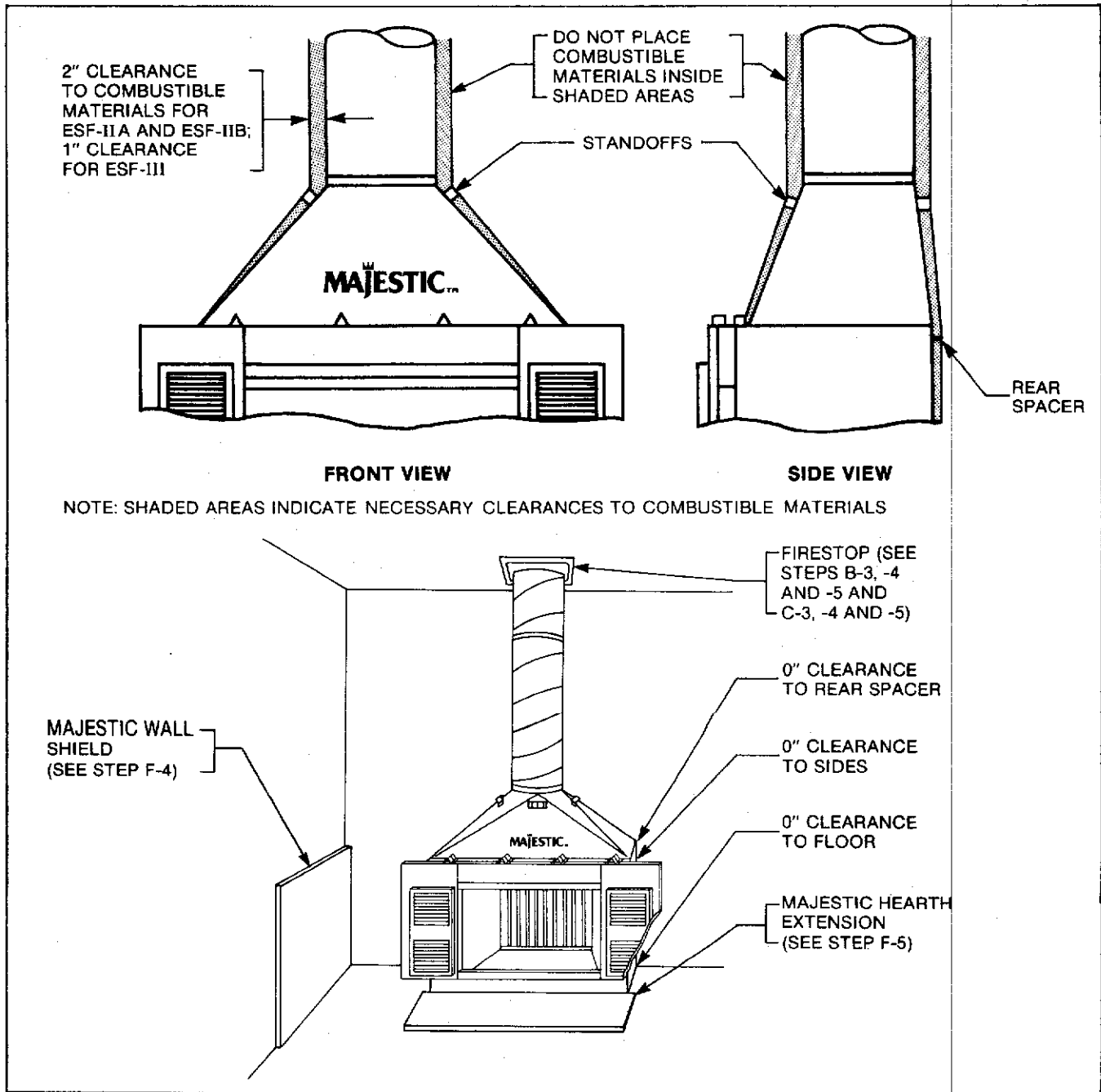


Fig. 39. Minimum clearances to combustible materials.

Framing Data

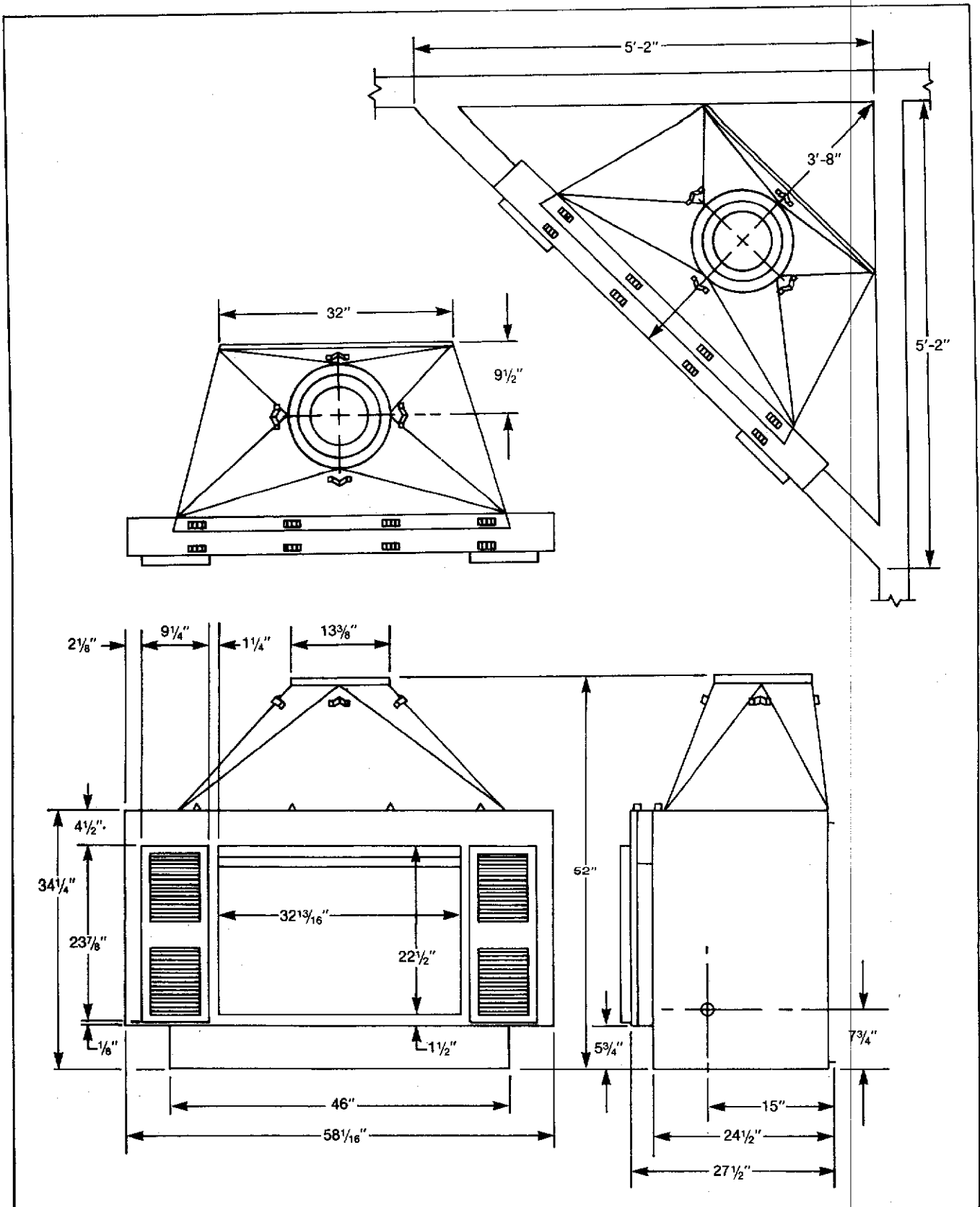


Fig. 40. Dimensions of ESF-IIA and ESF-IIB.

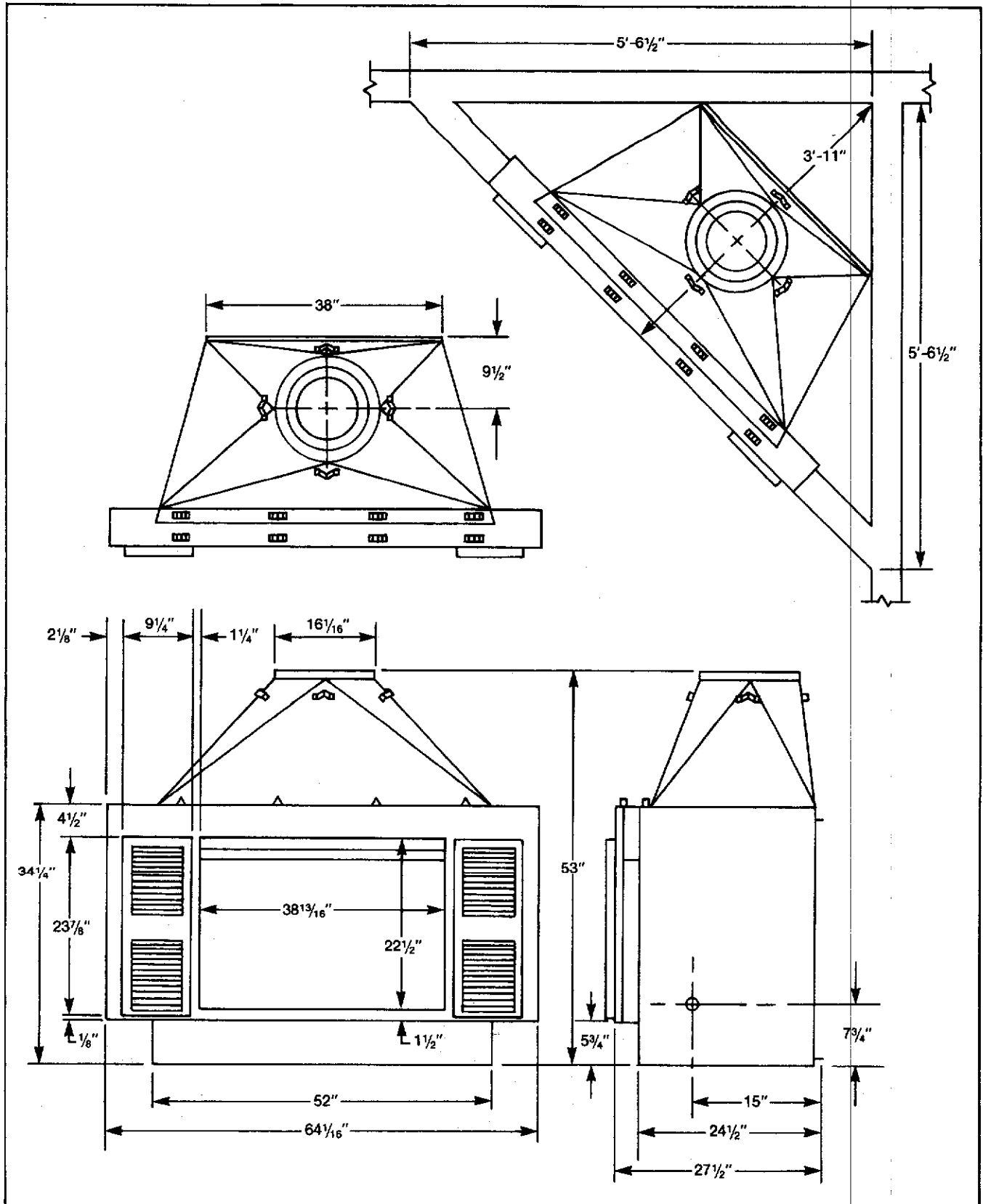
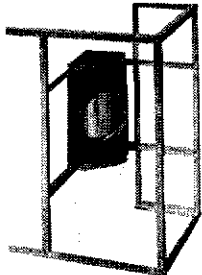
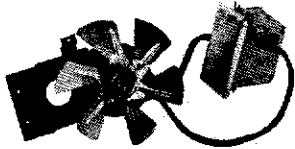
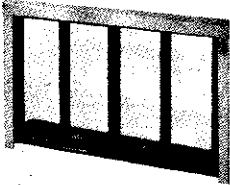




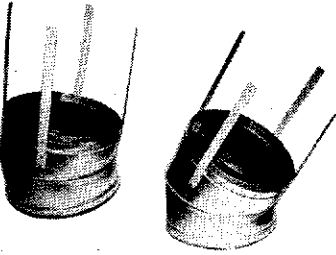
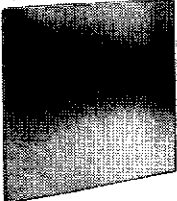
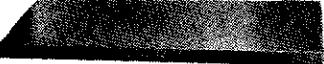

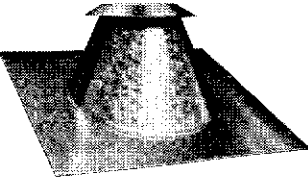
Fig. 41. Dimensions of ESF-III.

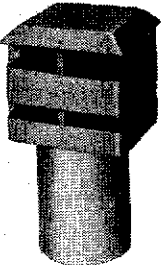
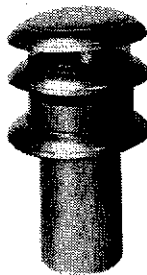
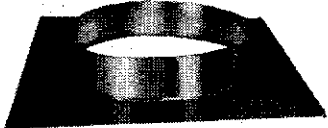

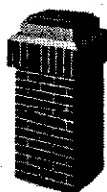
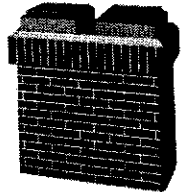
ACCESSORY PARTS

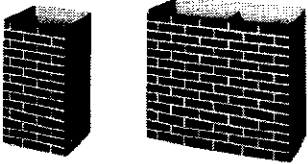
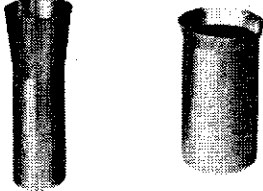

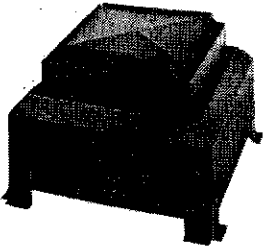
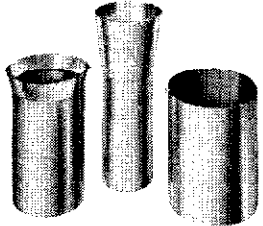

The following accessory parts can be obtained from your Majestic Dealer. The duct kit, fan kit, glass enclosure kit, outside air kit, top terminations, and hearth patching kit are supplied with installation instructions packaged with the unit. Should you need additional information beyond what your dealer can furnish, contact the Majestic Company, Huntington, Indiana 46750, Attention: Director of Customer Service.


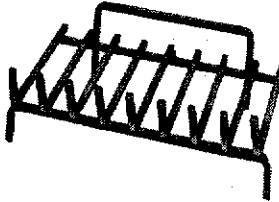
CAUTION: This fireplace and chimney assembly is a highly engineered system and, as such, must be operated only with Majestic approved components that have been designed as parts of the system. If you use any unapproved component or make any modifications, you may possibly cause a fire hazard and will void the Majestic warranty. In addition, such action may void the coverage provided by the owner's house insurance.

Accessory	Description	Model No.
Duct Kit 	Designed to provide two warm air outlets at a location remote from the fireplace. This accessory must be installed as the fireplace is being installed.	DK-II (ESF-IIA) DK-IIIB (ESF-IIIB & ESF-III)
Fan Kit 	Designed for use with the fireplace to provide forced air flow.	FK-II (ESF-IIA) FK-IIIB (ESF-IIIB & ESF-III)
Glass Enclosure Kit 	Designed to enclose the fireplace opening with bi-fold glass doors, allowing the fire to remain visible.	GEK-II (ESF-IIA & ESF-IIIB) GEK-III (ESF-III)
Screen Kit	Used with Glass Enclosure Kit (GEK).	SKG36 (ESF-IIA & ESF-IIIB) SKG42 (ESF-III)
Outside Air Kit 	Designed to operate only with a MAJESTIC Glass Enclosure Kit to provide outside air for fuel combustion in the firebox. This accessory must be installed before the fireplace is installed.	OAK36 (ESF-IIA & ESF-IIIB) OAK42 (ESF-III)

Accessory	Description	Model No.
<p data-bbox="142 218 391 254">Chimney Support</p> 	<p data-bbox="526 218 1036 411">Used to support the chimney at each 30 feet of vertical height above the hearth and at every 6 feet of inclined chimney run. Each support adds 3 inches to chimney length.</p>	<p data-bbox="1099 212 1247 342">TCS8 (8" flue) TCS9 (9" flue)</p>
<p data-bbox="151 516 386 552">Chimney Elbows</p> 	<p data-bbox="532 516 1019 611">Used to develop offset chimney systems. Both 15° and 30° elbows are available.</p>	<p data-bbox="1109 510 1317 762">815 (15°-8" flue) 915 (15°-9" flue) 830 (30°-8" flue) 930 (30°-9" flue)</p>
<p data-bbox="151 905 310 940">Wall Shield</p> 	<p data-bbox="532 905 963 968">Used to protect walls adjacent to the fireplace.</p>	<p data-bbox="1109 898 1187 930">SP40</p>
<p data-bbox="151 1194 391 1230">Hearth Extension</p> 	<p data-bbox="532 1194 1024 1320">Located on the floor in front of the fireplace opening to protect the floor from heat, hot embers, ashes, etc.</p>	<p data-bbox="1109 1194 1433 1325">EH36 (ESF-IIA & ESF-IIB) EH42 (ESF-III)</p>
<p data-bbox="151 1362 456 1425">Contemporary Round Top Termination</p> 	<p data-bbox="532 1362 971 1425">Used to terminate chimney on the roof. Flashing not included.</p>	<p data-bbox="1109 1362 1255 1493">RT8B (8" flue) RT9B (9" flue)</p>
<p data-bbox="151 1640 480 1675">Contemporary Flashing</p> 	<p data-bbox="532 1640 1003 1734">Required for contemporary round top termination on the roof to prevent rain entry.</p>	<p data-bbox="1109 1640 1463 1955">8-6-12 (8" flue:0 to 6-12 pitch) 8-12-12 (8" flue:6-12 to 12-12 pitch) 9-6-12 (9" flue:0 to 6-12 pitch) 9-12-12 (9" flue:6-12 to 12-12 pitch)</p>

Accessory	Description	Model No.
<p>Square Top Chase Termination</p> 	<p>Used to terminate chimney at the top of a chase. Adapter kit included. Flashing not included.</p>	<p>TS8 (8" flue) TS9 (9" flue)</p>
<p>Extended Round Top Chase Termination</p> 	<p>Used to terminate chimney at the top of a chase. Adapter kit included. Flashing not included.</p>	<p>RT8BL (8" flue) RT9BL (9" flue)</p>
<p>Chase Top Flashing</p> 	<p>Used with chase terminations to prevent rain entry.</p>	<p>FL88 (8" flue) FL99 (9" flue)</p>
<p>Traditional Top Housings</p>   <p>Single Flue</p> <p>Extra Tall Single Flue</p>  <p>Double Flue</p>	<p>Gives traditional chimney top look using simulated brick in red, tan or white color. Brick pattern is embossed into galvanized steel unit. Roof flashing is included. Adapter kit (8CA or 9CA) is required.</p>	<p>T20A (single flue) TL20A (extra tall single flue) T44A (double flue)</p>

Accessory	Description	Model No.
Housing Extensions 	Required to extend Traditional Top Housings on steeply pitched roofs.	202036 (single flue) 204436 (double flue)
Adapter Kit 	Required to unite triple-wall chimney with Traditional Top Housing.	8CA (8" flue) 9CA (9" flue)
Blank Adapter 	Used to cap unused flue opening on Traditional Top Housing Model T44A.	BLA
Contemporary Chase Top Termination 	Used to terminate chimney at the top of a chase. Flashing is not included. Adapter kit (TT8CA or TT9CA) is required.	TT200A
Adapter Kit 	Required to unite triple-wall chimney with Contemporary Chase Top.	TT8CA (8" flue) TT9CA (9" flue)
Chimney Sections 	Used to build chimney systems. ESF-IIA and ESF-IIB use 8" flues. ESF-III use 9" flues.	8" flue 81 (1' long) 818 (1½' long) 82 (2' long) 83 (3' long) 85 (5' long) 9" flue 91 (1' long) 918 (1½' long) 92 (2' long) 93 (3' long) 95 (5' long)

Accessory	Description	Model No.
Firestop 	Required at each floor level and attic on multi-story installation.	FS2A (8" straight flue) FS3A (9" straight flue) FS6A (8" 30° inclined flue) FS9A (8" 15° inclined flue) FS10A (9" 15° inclined flue) FS13A (9" 30° inclined flue)
Radiant Shield	Used as an alternate to the FS2A firestop to reduce the clearance from the chimney to combustible framing.	RS-8
Basket Grate 	Used in the firebox to hold firewood.	BG21 (ESF-IIA & ESF-IIB) BG22 (ESF-III)
Hearth Patching Kit	Used to patch cracks in hearth.	HPC1

MAJESTIC Fireplaces are listed, certified, and/or accepted by leading national and local building codes and authorities including:



Underwriters' Laboratories



Building Officials Code Administration



Southern Building Code Congress



International Conference of Building Officials

MAJESTIC
 An American-Standard Company